



US00D884606S

(12) **United States Design Patent**
Takahashi

(10) **Patent No.:** **US D884,606 S**

(45) **Date of Patent:** **** May 19, 2020**

(54) **BATTERY CHARGER**

(71) Applicant: **HONDA MOTOR CO., LTD.**, Tokyo
(JP)

(72) Inventor: **Yasushi Takahashi**, Wako (JP)

(73) Assignee: **HONDA MOTOR CO., LTD.**, Tokyo
(JP)

(**) Term: **15 Years**

(21) Appl. No.: **29/642,220**

(22) Filed: **Mar. 28, 2018**

(30) **Foreign Application Priority Data**

Oct. 2, 2017 (JP) 2017-021768

(51) **LOC (12) Cl.** **13-02**

(52) **U.S. Cl.**
USPC **D13/107**

(58) **Field of Classification Search**

USPC D13/107-110, 118-119, 184; D14/251,
D14/253, 432, 434

CPC H01M 2200/00; H01M 2/1016; H01M
2/1022; H01M 2/1055; H01M 10/44;
H01M 10/46; H01M 10/425; Y02E
60/12; Y02T 90/14; Y02T 90/122; Y02T
90/128; Y02T 90/163; H02J 7/025; H02J
7/0042; H02J 7/0044; H02J 7/0045; H02J
7/0003; H01F 38/14; H01R 13/6675;
B60L 11/182

See application file for complete search history.

(56) **References Cited**

U.S. PATENT DOCUMENTS

D376,128 S * 12/1996 Flack D13/107
D426,518 S * 6/2000 Hatanaka D13/107
D641,318 S * 7/2011 Maeda D13/116

D651,562 S * 1/2012 Takeno D13/107
D668,608 S * 10/2012 Itoh D13/116
D686,157 S * 7/2013 Kawase D13/119
D695,680 S * 12/2013 Workman D13/103
8,646,150 B2 * 2/2014 Okabe B62B 5/067
16/110.1
D701,830 S * 4/2014 Edwards D13/107
D777,216 S * 1/2017 Allemeier D15/28
D806,029 S * 12/2017 Lin D13/112
D861,606 S * 10/2019 Yang D13/119
D866,393 S * 11/2019 Asai D12/1

* cited by examiner

Primary Examiner — Nathaniel D. Buckner

(74) *Attorney, Agent, or Firm* — Westerman, Hattori,
Daniels & Adrian, LLP

(57) **CLAIM**

The ornamental design for a battery charger, as shown and described.

DESCRIPTION

FIG. 1 is a front view of a battery charger showing my new design;

FIG. 2 is a rear view thereof;

FIG. 3 is a left side view thereof;

FIG. 4 is a right side view thereof;

FIG. 5 is a top view thereof;

FIG. 6 is a bottom view thereof;

FIG. 7 is a right front corner view thereof;

FIG. 8 is a left front corner view thereof;

FIG. 9 is a right rear corner view thereof;

FIG. 10 is a left rear corner view thereof;

FIG. 11 is a top front left perspective view thereof, shown in an open state; and,

FIG. 12 is a left front corner view thereof, shown in an environment of use.

The broken lines shown in the drawings illustrate portions of the battery charger that form no part of claimed design.

1 Claim, 12 Drawing Sheets

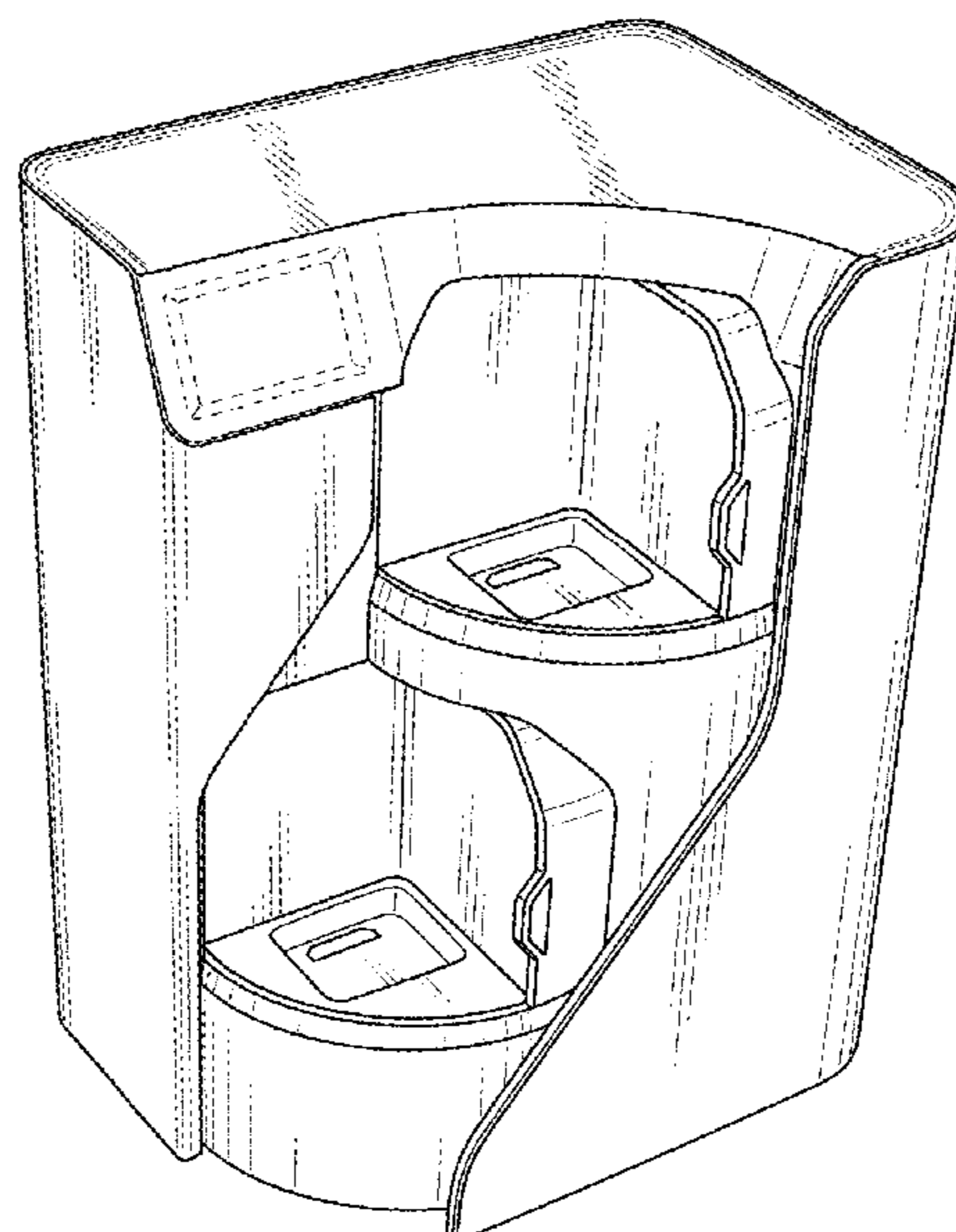


FIG. 1

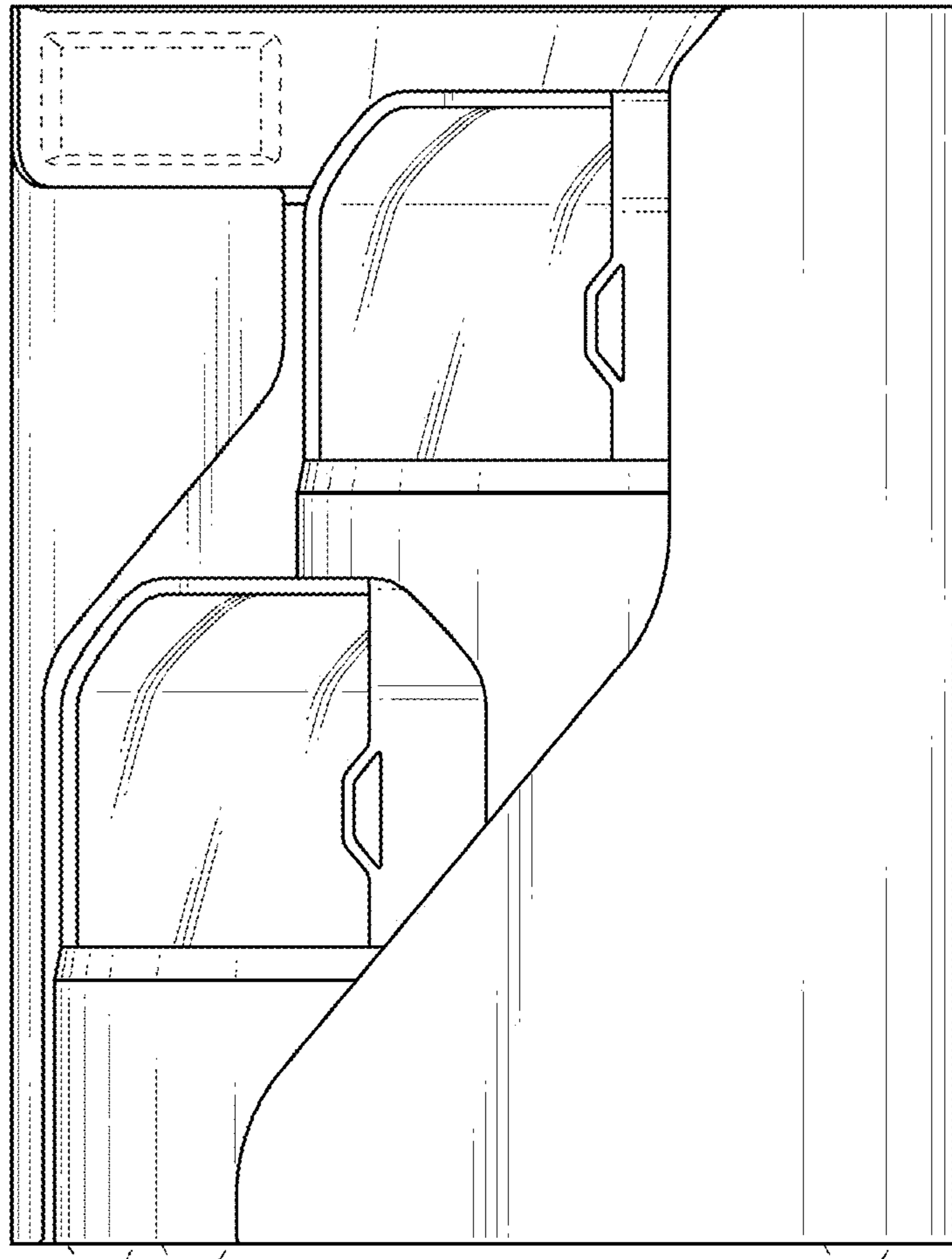


FIG. 2

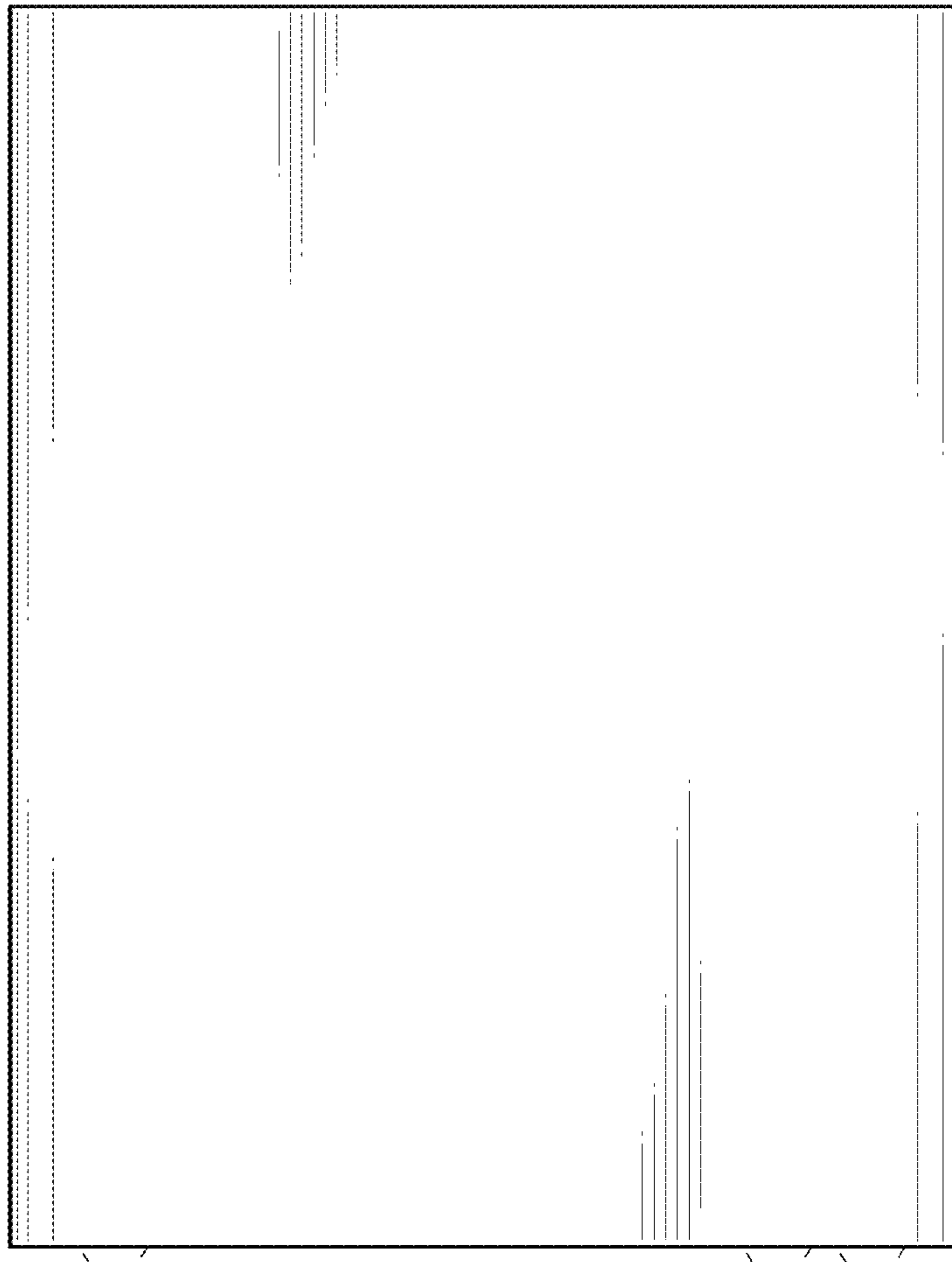


FIG. 3

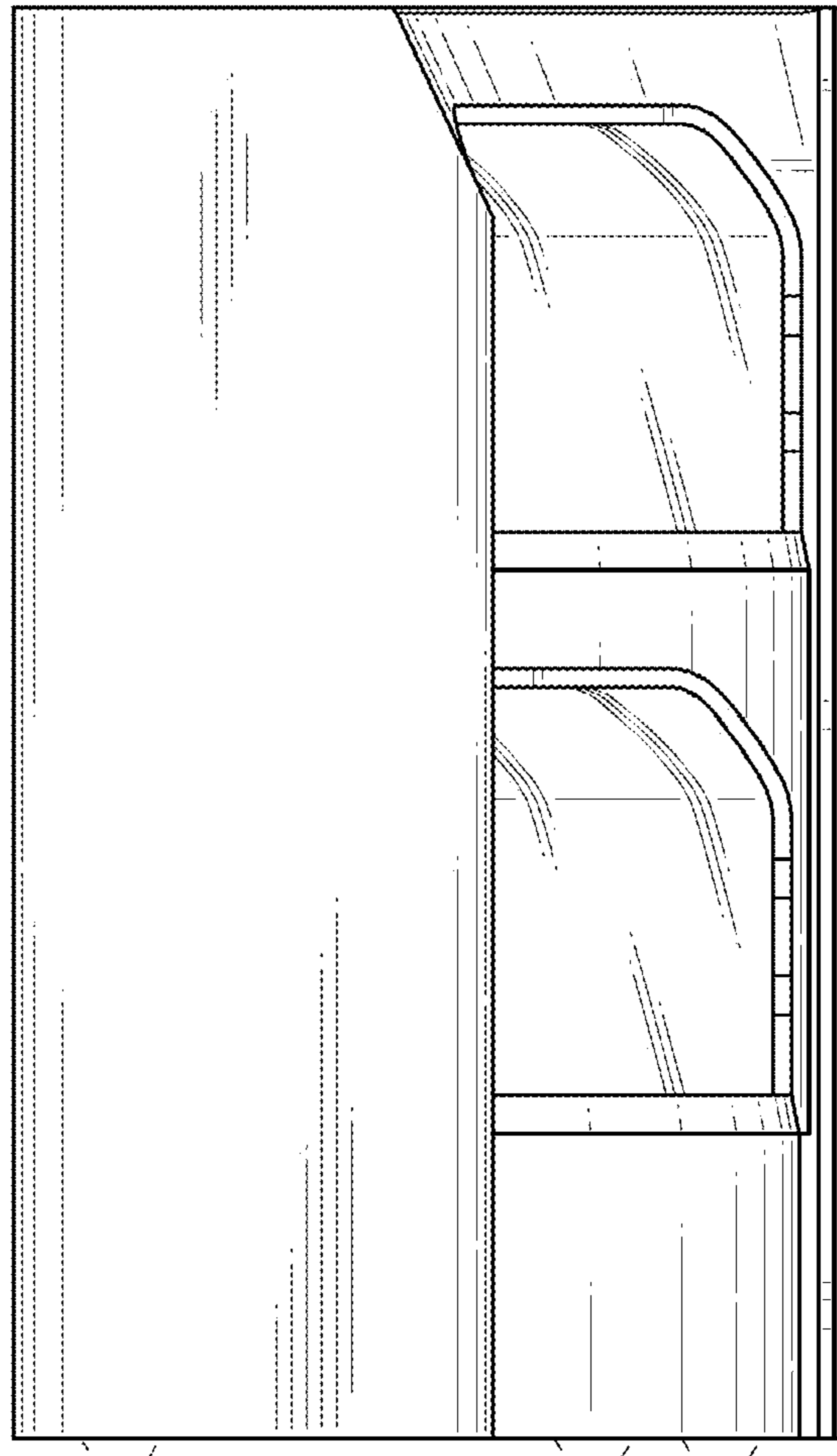


FIG. 4

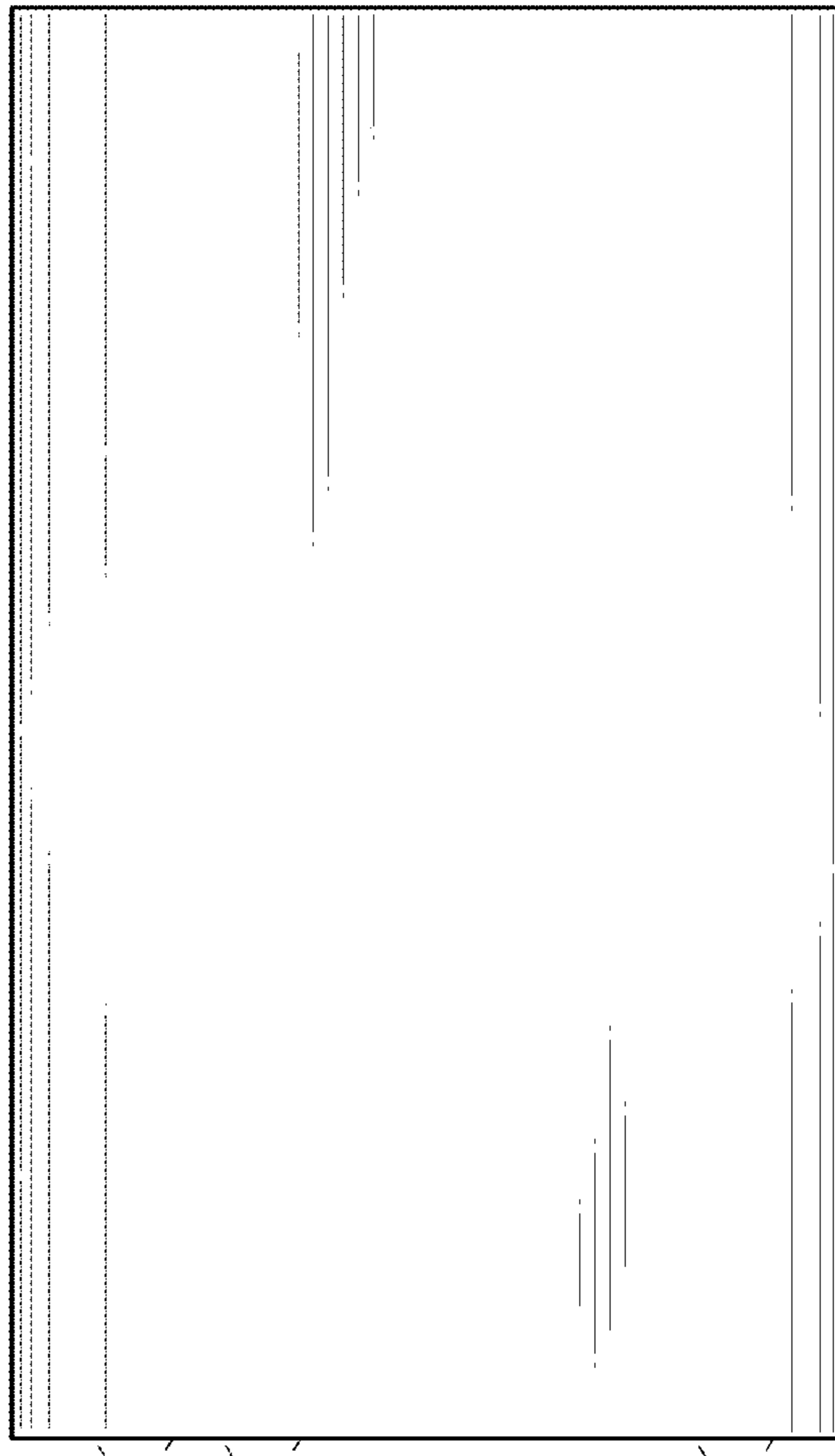


FIG. 5

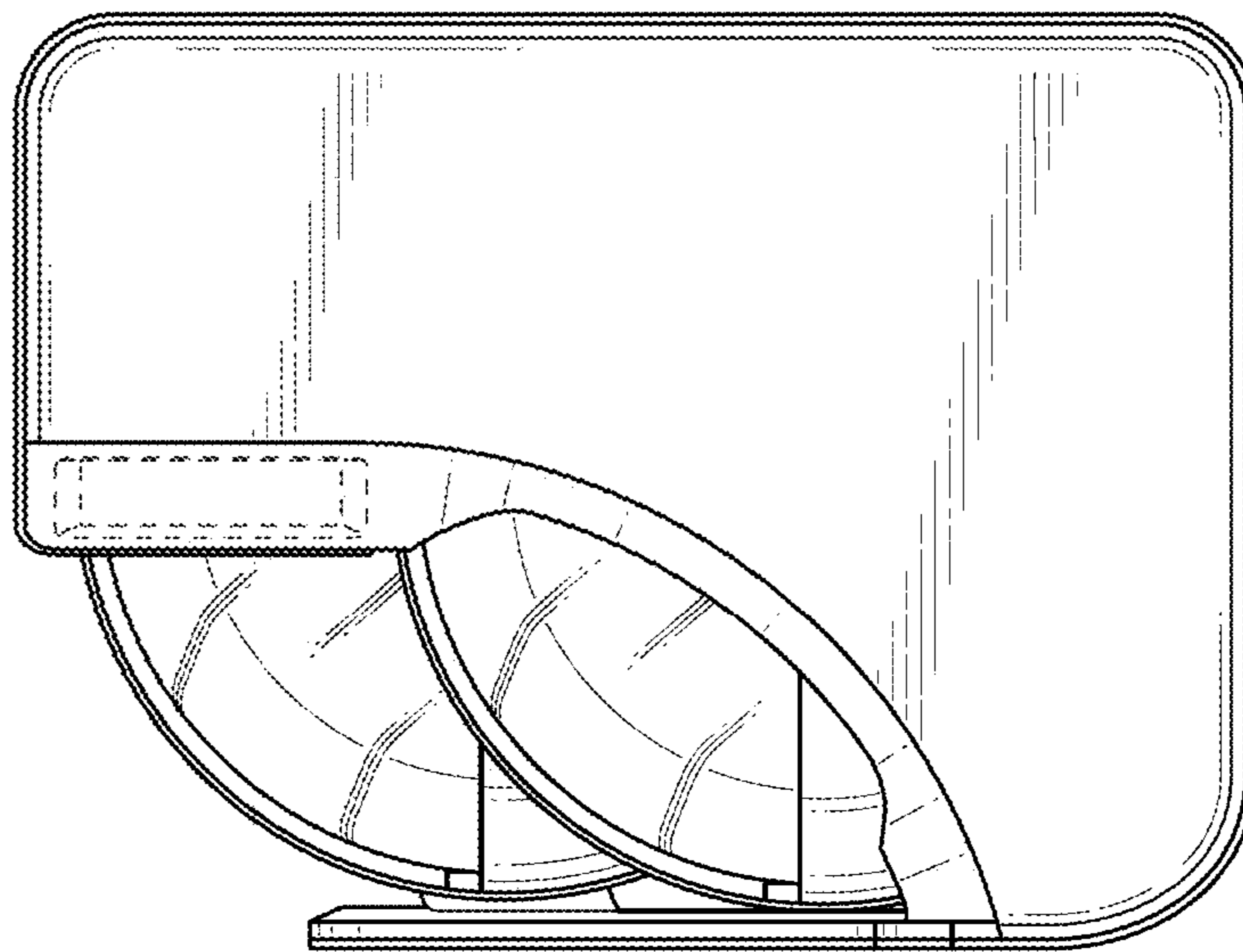


FIG. 6

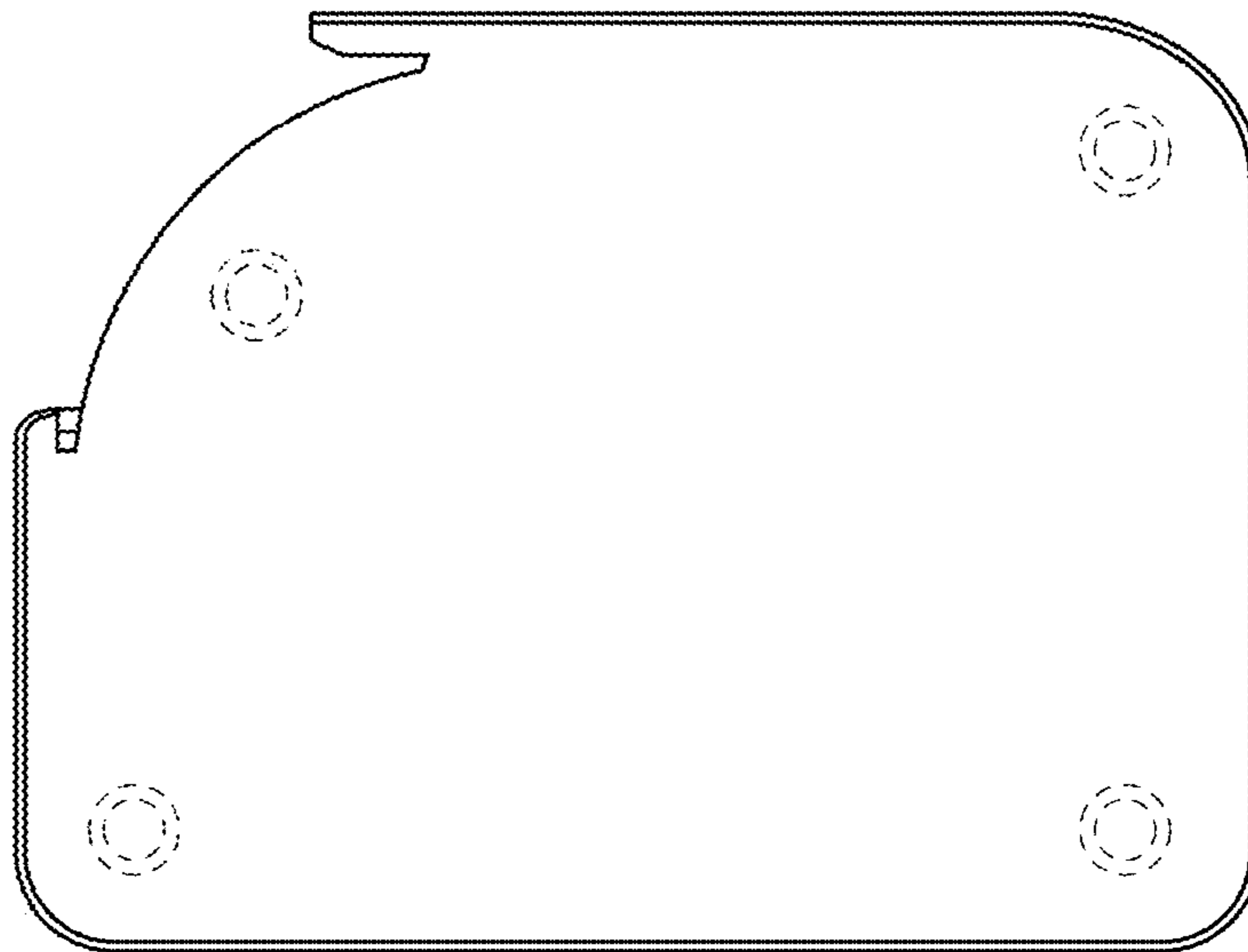


FIG. 7

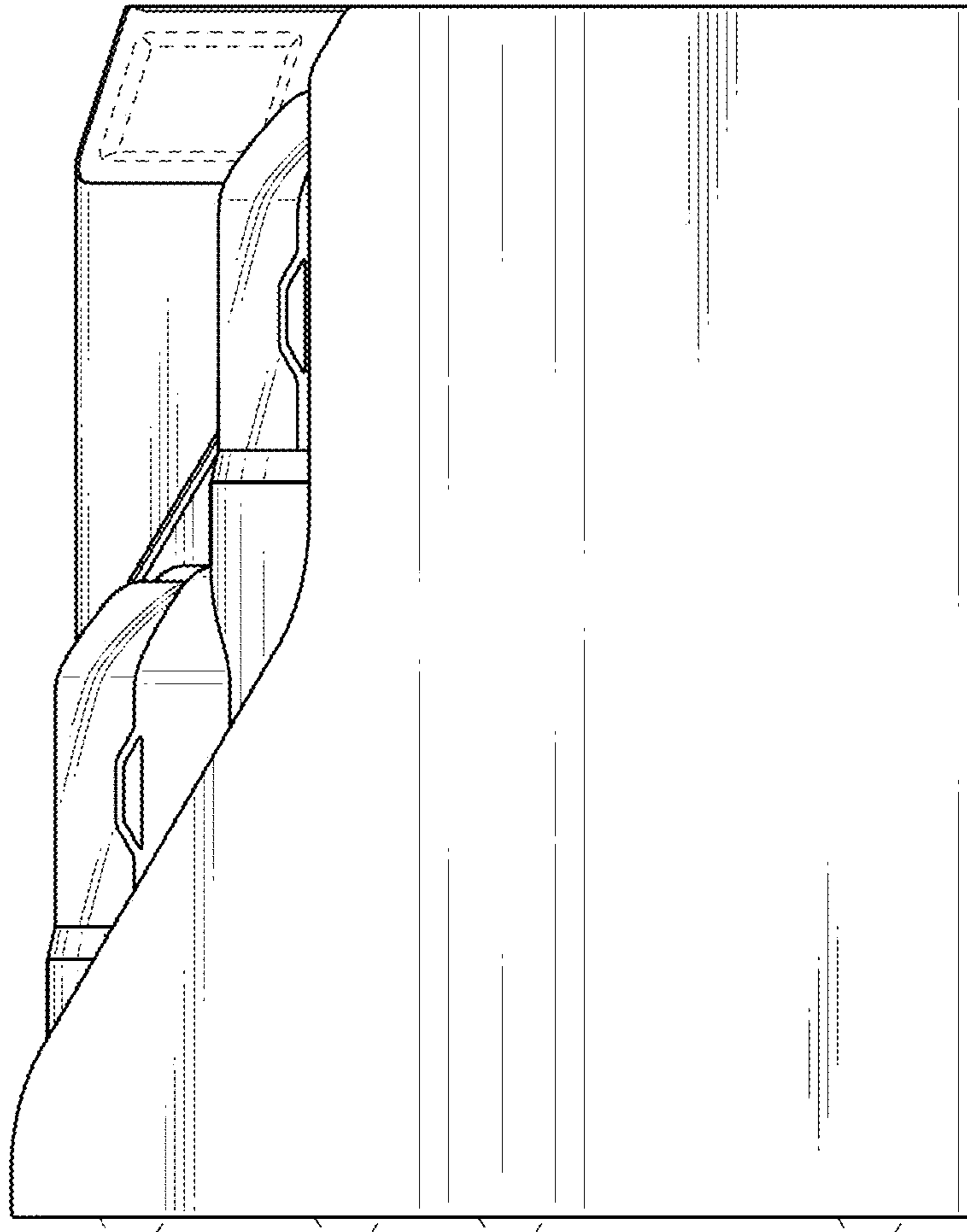


FIG. 8

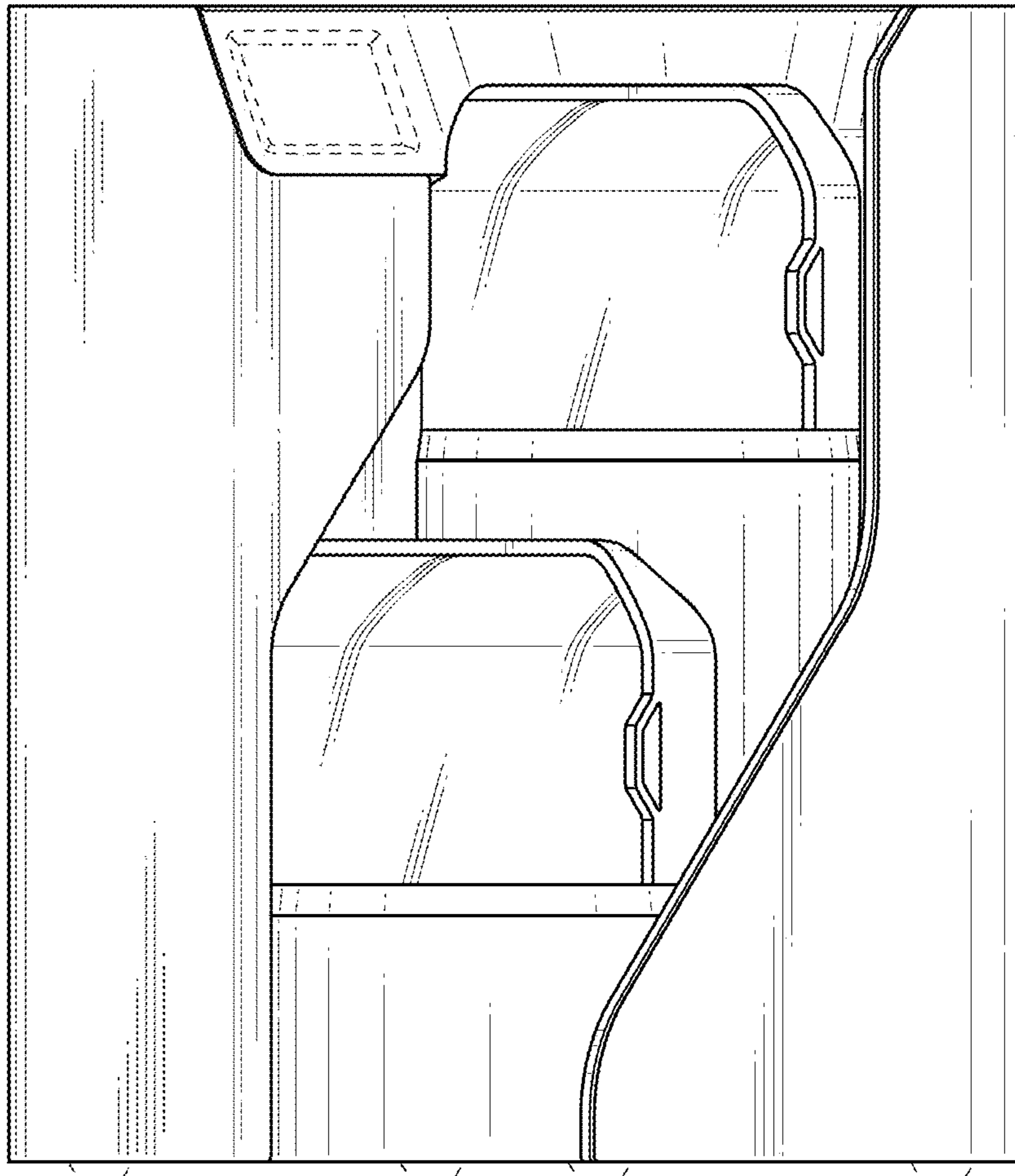


FIG. 9

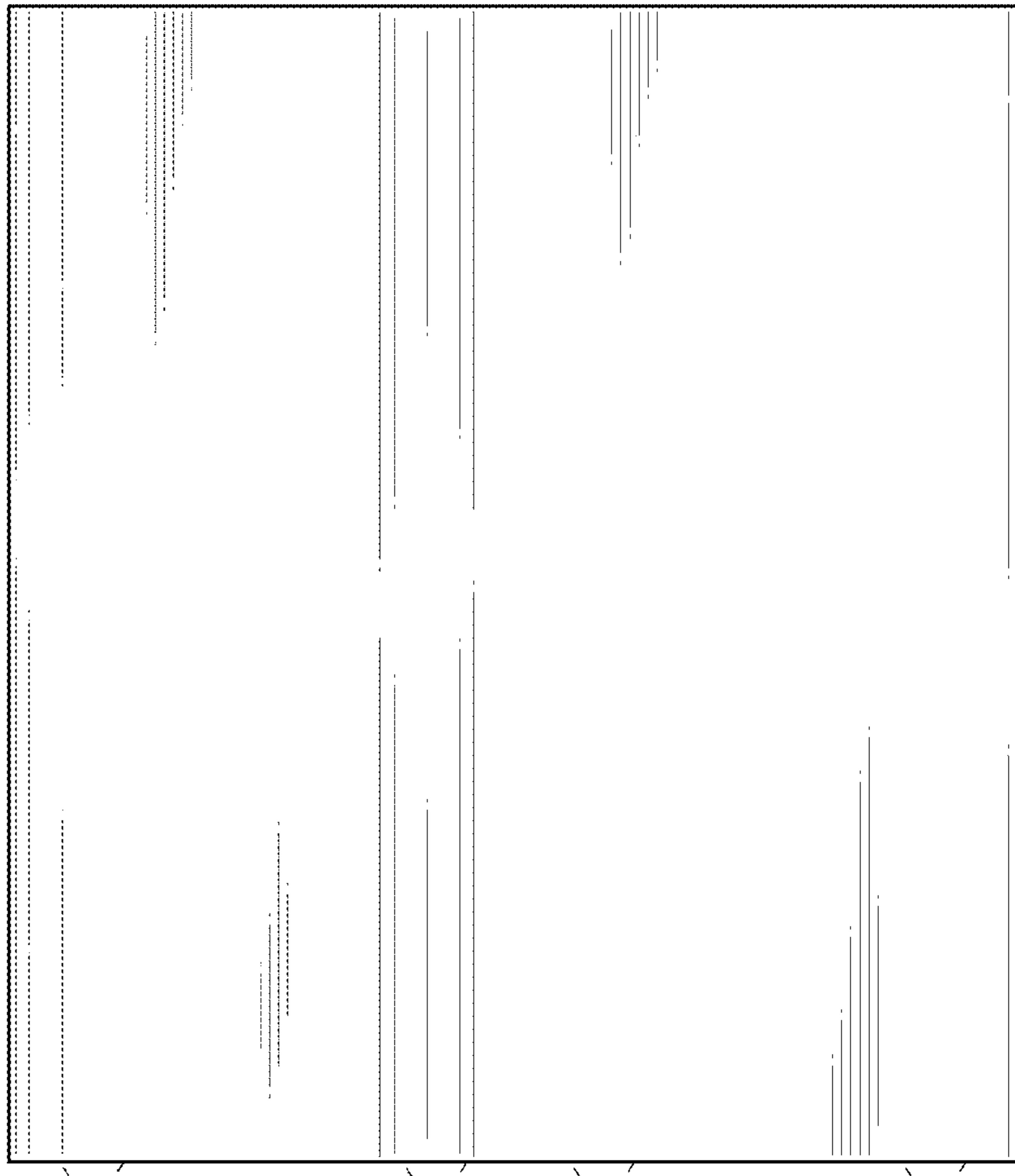


FIG. 10

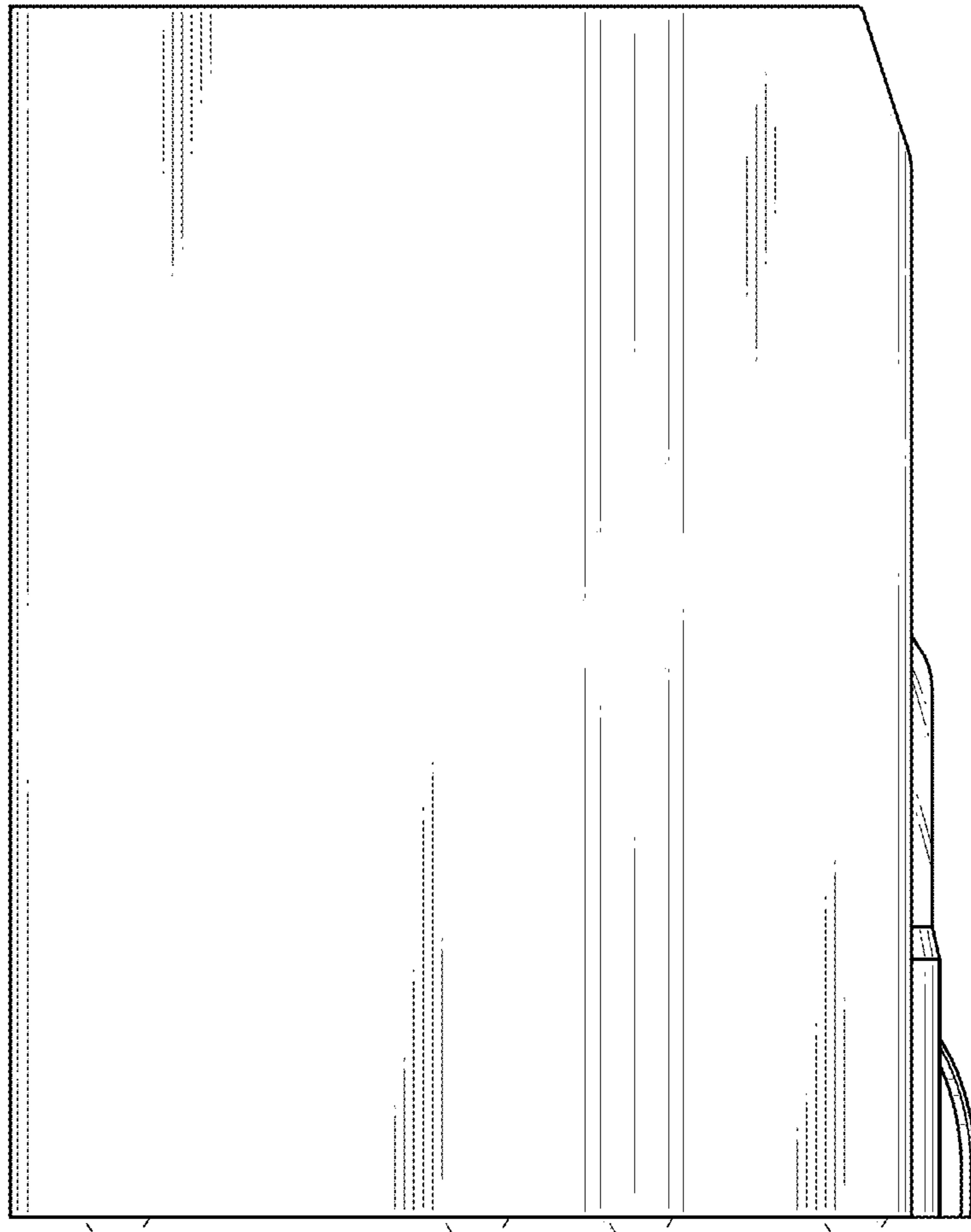


FIG. 11

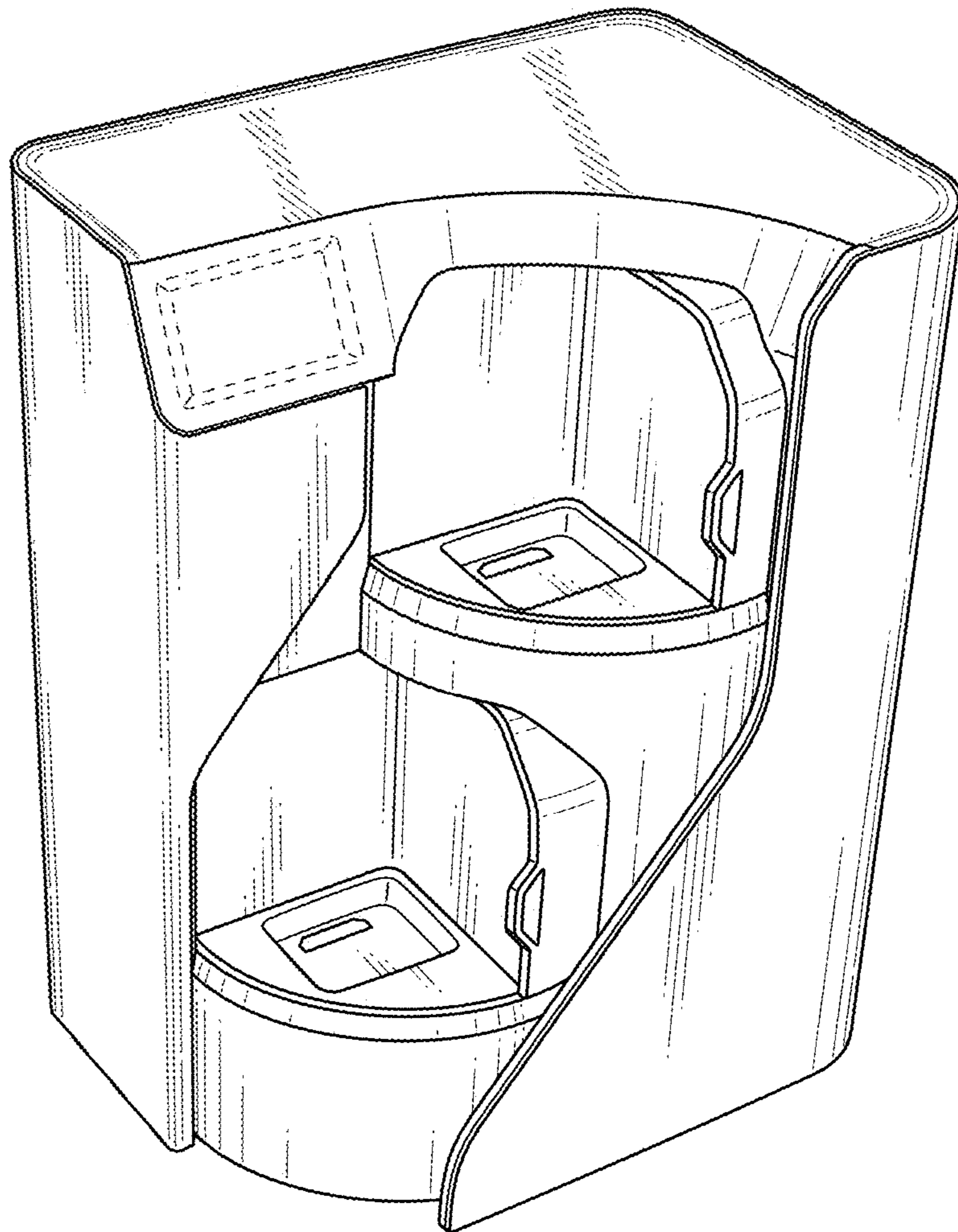


FIG. 12

