



US00D884605S

(12) **United States Design Patent**
Sun

(10) **Patent No.:** **US D884,605 S**

(45) **Date of Patent:** **** May 19, 2020**

(54) **PORTABLE JUMP STARTER**

(71) Applicant: **Yingjie Sun**, Shenzhen (CN)

(72) Inventor: **Yingjie Sun**, Shenzhen (CN)

(**) Term: **15 Years**

(21) Appl. No.: **29/642,044**

(22) Filed: **Mar. 27, 2018**

(51) **LOC (12) Cl.** **13-02**

(52) **U.S. Cl.**
USPC **D13/107; D13/103**

(58) **Field of Classification Search**
USPC D13/107-110, 118-119, 184; D14/251,
D14/253, 432, 434; D15/9
CPC Y02E 60/10; Y02E 60/12; Y02E 60/122;
Y02E 60/124; Y02E 60/50; Y02T 90/14;
Y02T 90/122; Y02T 90/128; Y02T
90/163; Y02T 10/7005; Y02T 10/705;
Y02T 10/7088; H02J 7/025; H02J
7/0042; H02J 7/0044; H02J 7/0045; H02J
7/0003; H02J 7/0034; H02J 7/0054; H02J
7/1423; H02J 2001/006; H01F 38/14;
H01M 2/1022; H01M 2/1055; H01M
10/44; H01M 10/46; H01M 10/425; B60L
11/182

See application file for complete search history.

(56) **References Cited**

U.S. PATENT DOCUMENTS

D745,455 S * 12/2015 Nook D13/103
D786,192 S * 5/2017 Liu D13/107
D797,044 S * 9/2017 Miller D13/108

D821,306 S * 6/2018 Liu D13/107
D823,791 S * 7/2018 Xu D13/107
D823,793 S * 7/2018 Xianxi D13/107
10,135,271 B2 * 11/2018 Miller H02J 7/0021
D836,064 S * 12/2018 Liu D13/102
D861,597 S * 10/2019 Gan D13/108
D866,457 S * 11/2019 Liu D13/107
D872,011 S * 1/2020 Rao D13/107
2015/0054336 A1 * 2/2015 Xinfang H02J 7/0047
307/9.1
2016/0359352 A1 * 12/2016 Chiu G08B 5/00
2017/0012448 A1 * 1/2017 Miller H02J 7/007

* cited by examiner

Primary Examiner — Nathaniel D. Buckner
(74) *Attorney, Agent, or Firm* — Dunlap Bennett & Ludwig PLLC

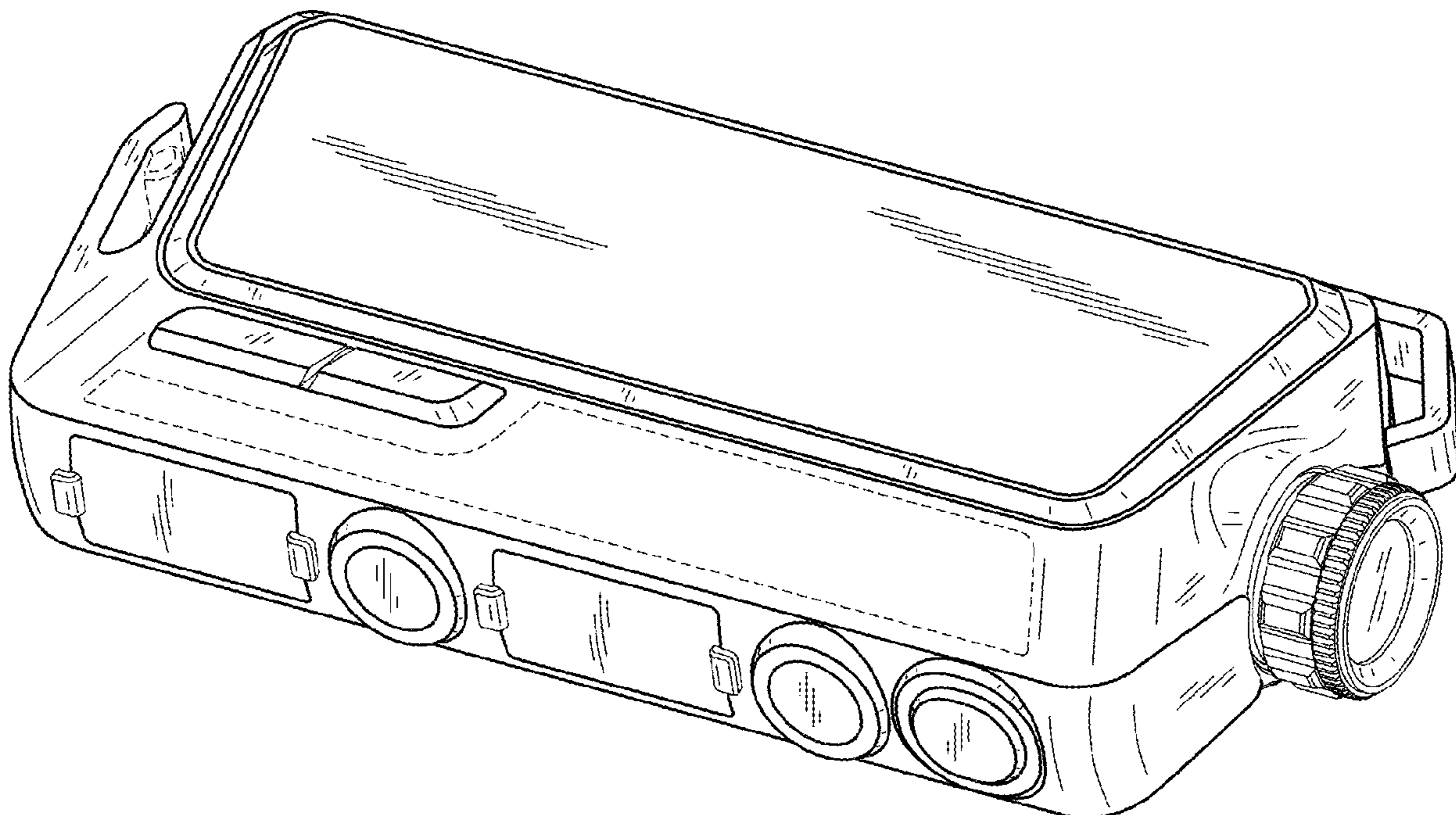
(57) **CLAIM**

The ornamental design for a portable jump starter, as shown and described.

DESCRIPTION

FIG. 1 is a front perspective view of a portable jump starter, showing my new design;
FIG. 2 is a rear perspective view thereof;
FIG. 3 is a front elevation view thereof;
FIG. 4 is a rear elevation view thereof;
FIG. 5 is a left elevation view thereof;
FIG. 6 is a right elevation view thereof;
FIG. 7 is a top plan view thereof; and,
FIG. 8 is a bottom plan view thereof.
The broken lines shown in the drawings depict portions of the portable jump starter that form no part of the claimed design.

1 Claim, 5 Drawing Sheets



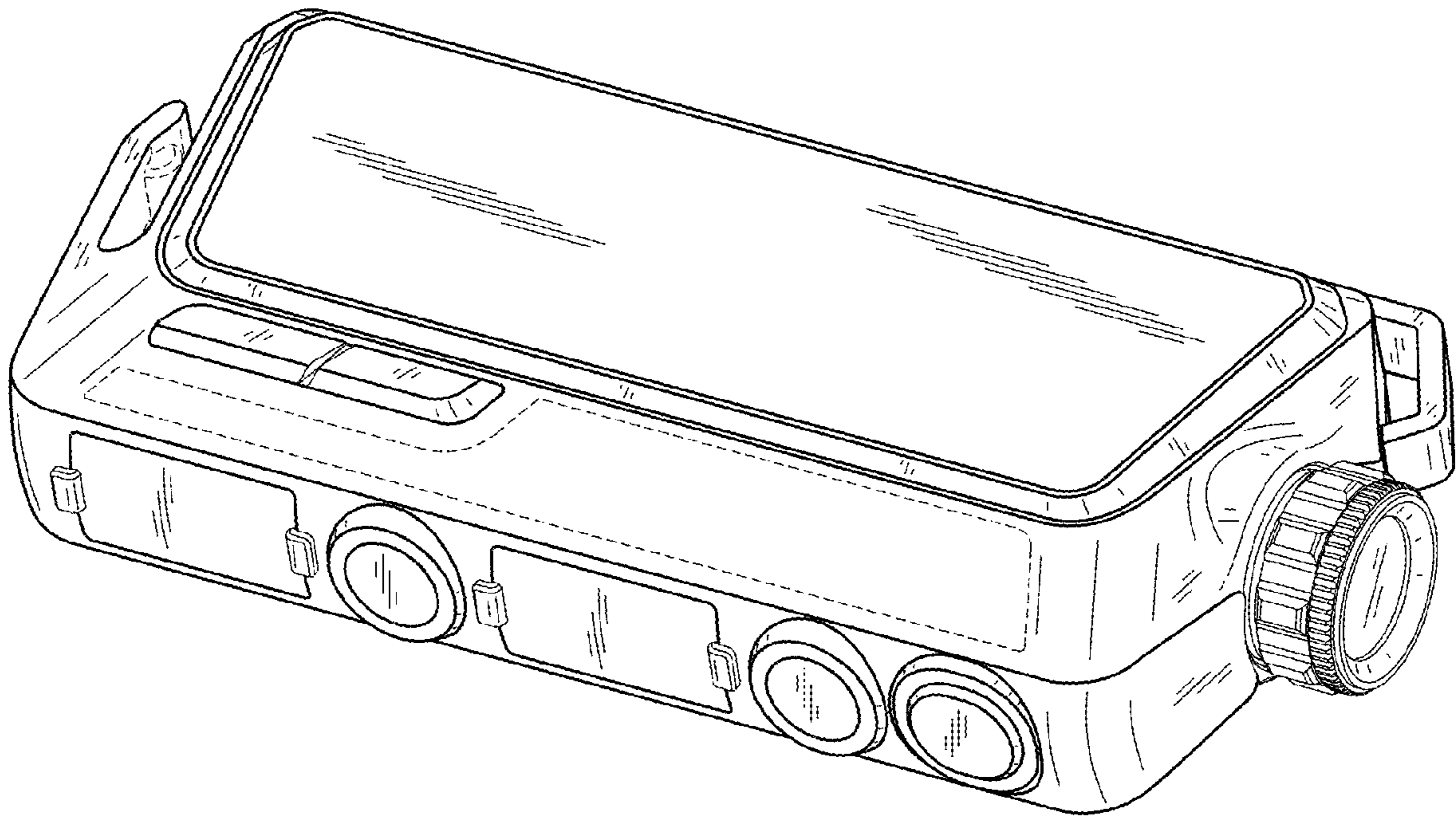


FIG. 1

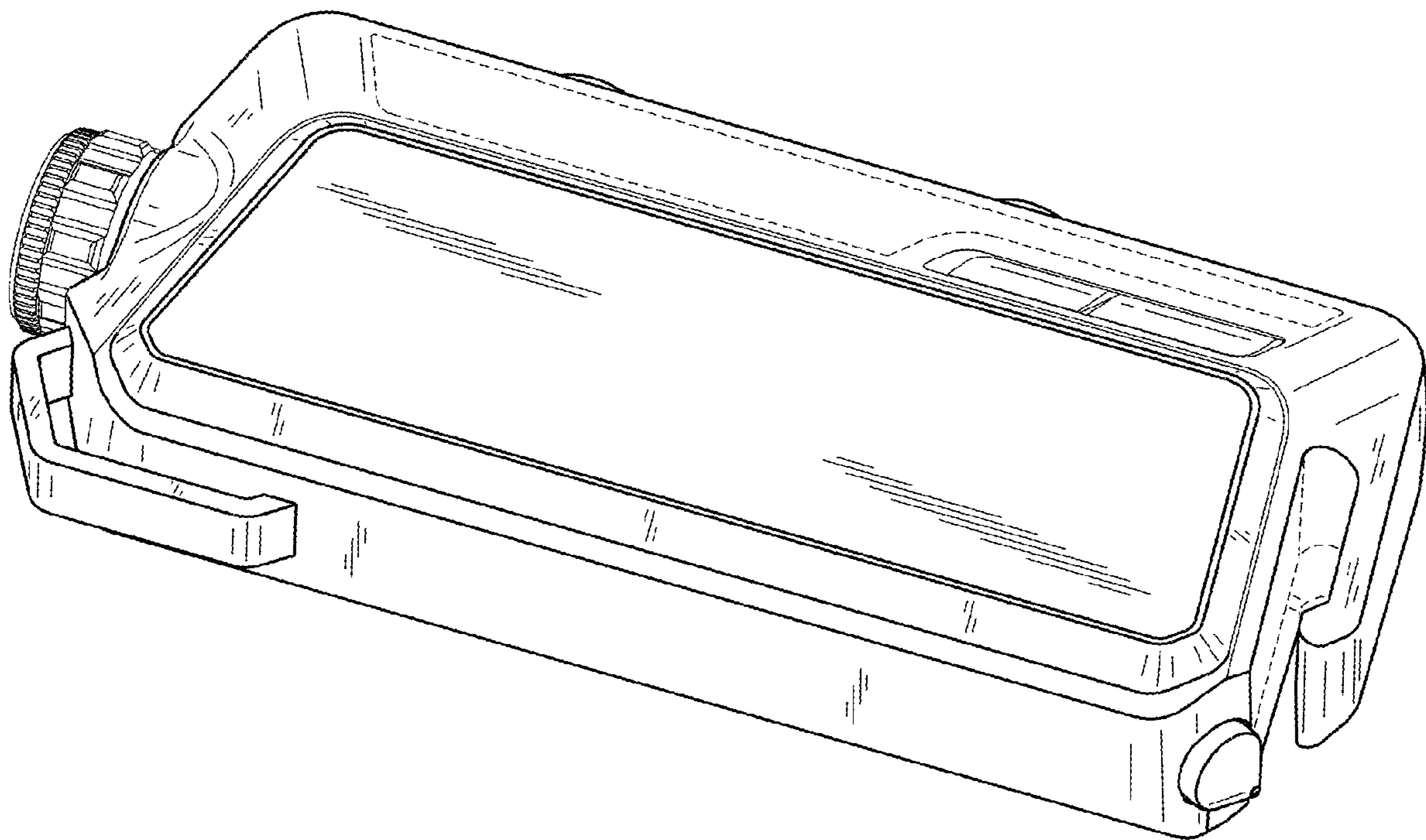


FIG. 2

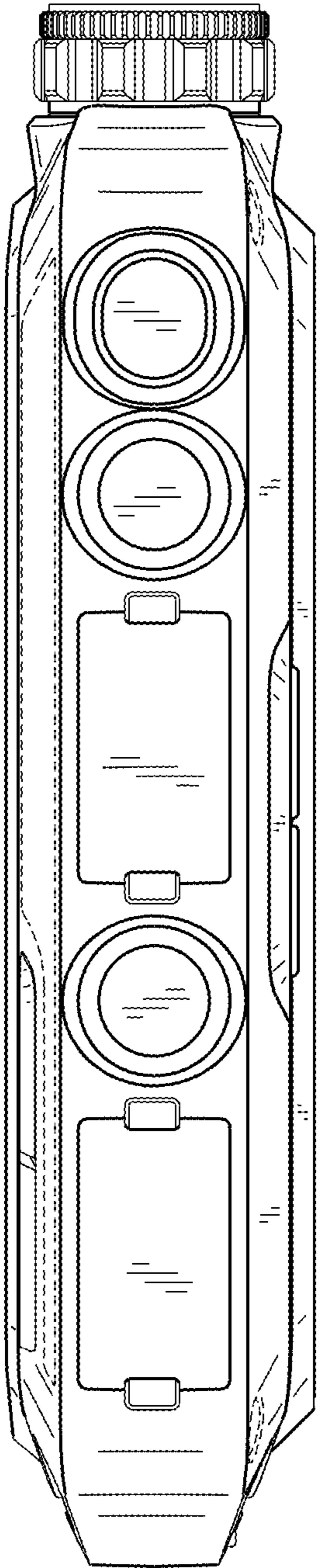


FIG. 3

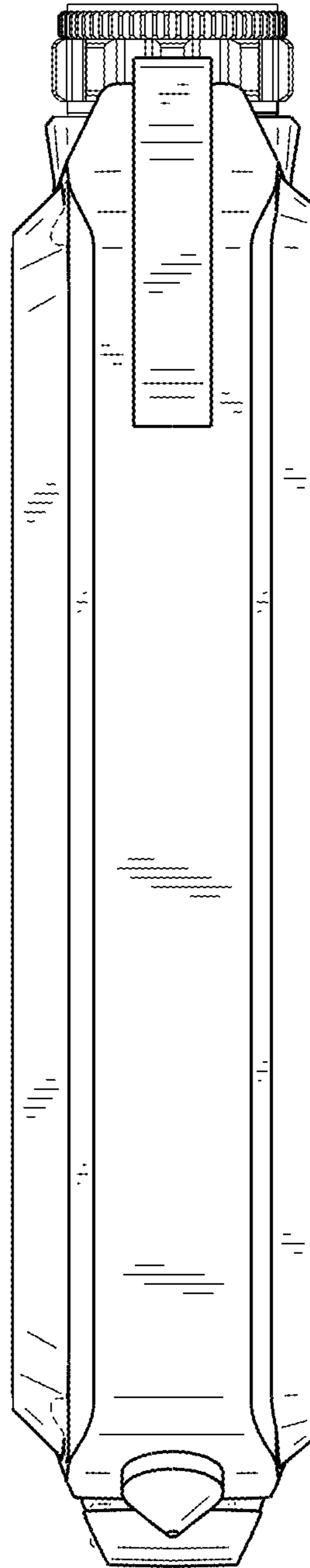


FIG. 4

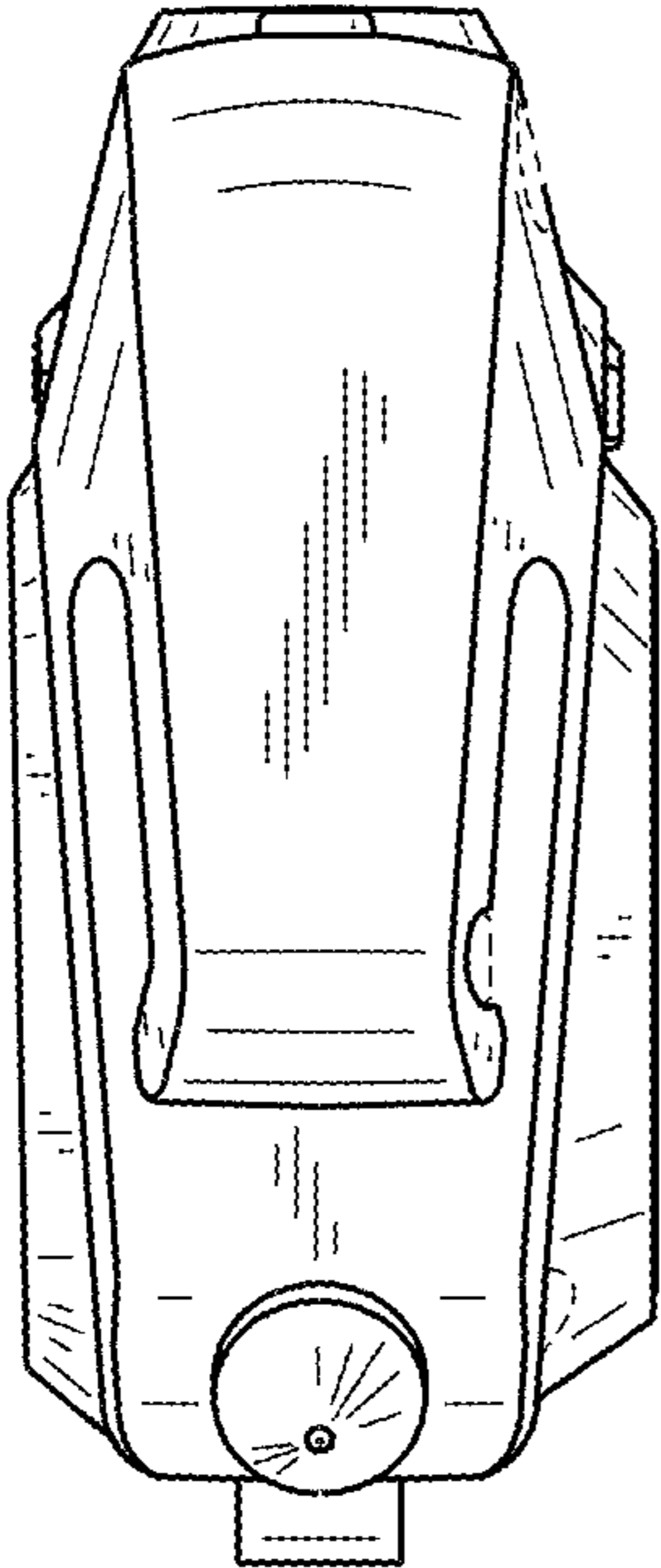


FIG. 5

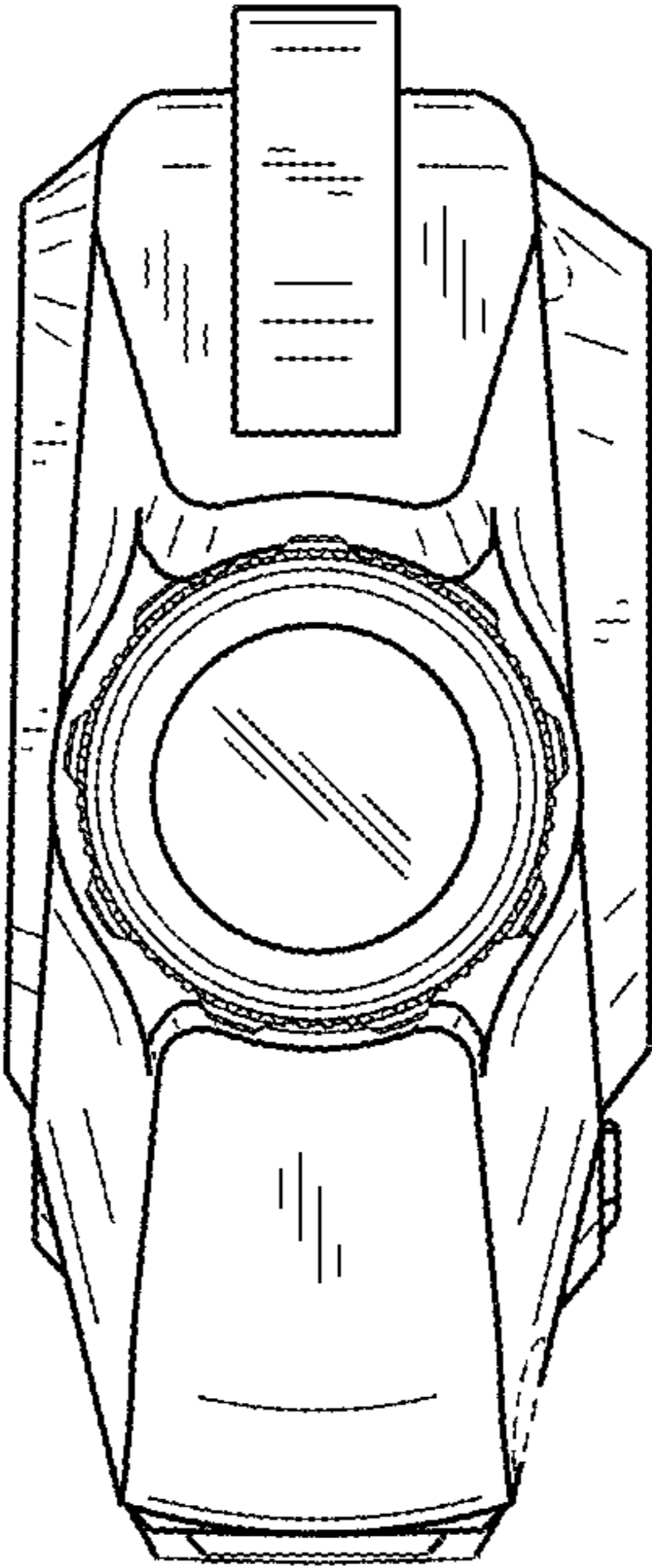


FIG. 6

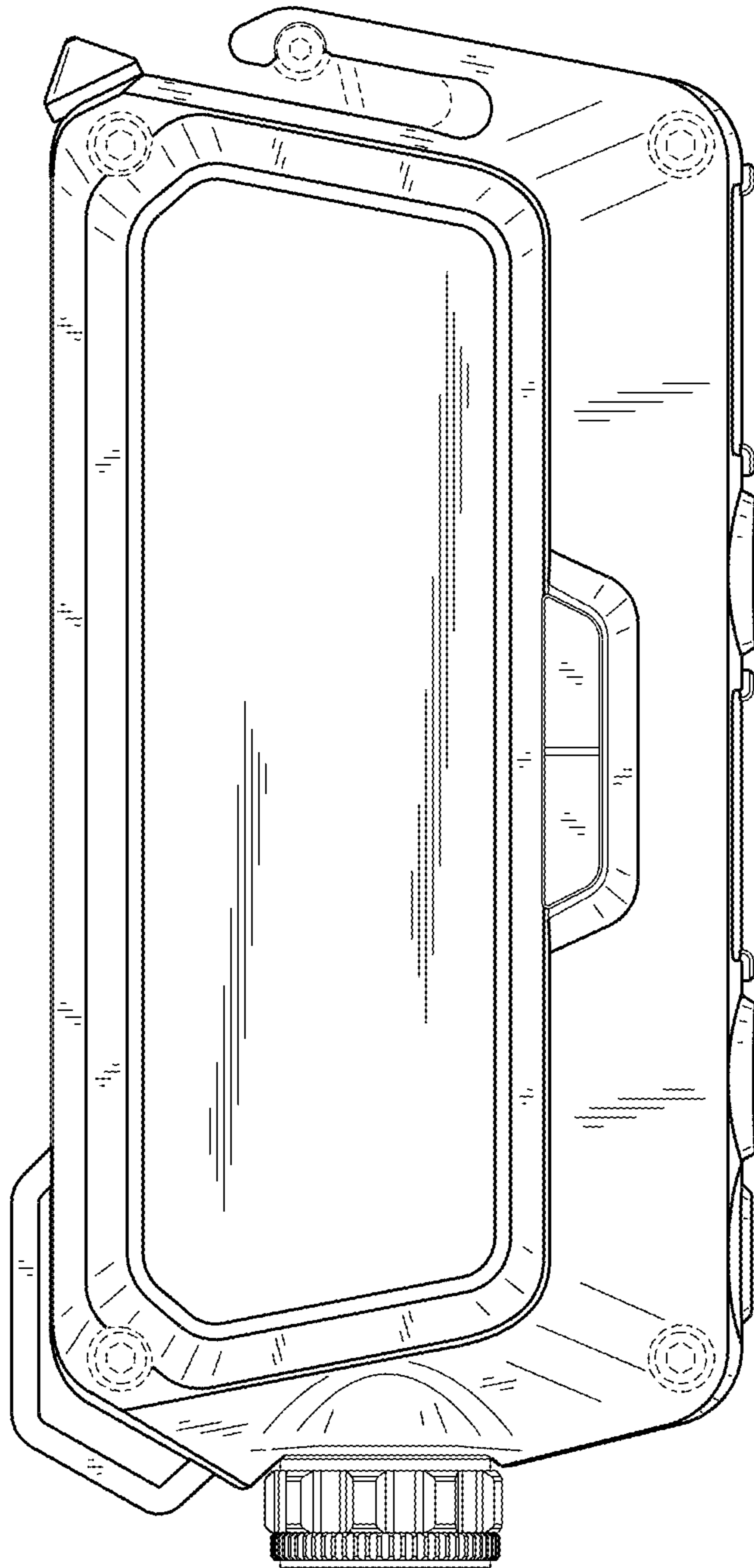


FIG. 7

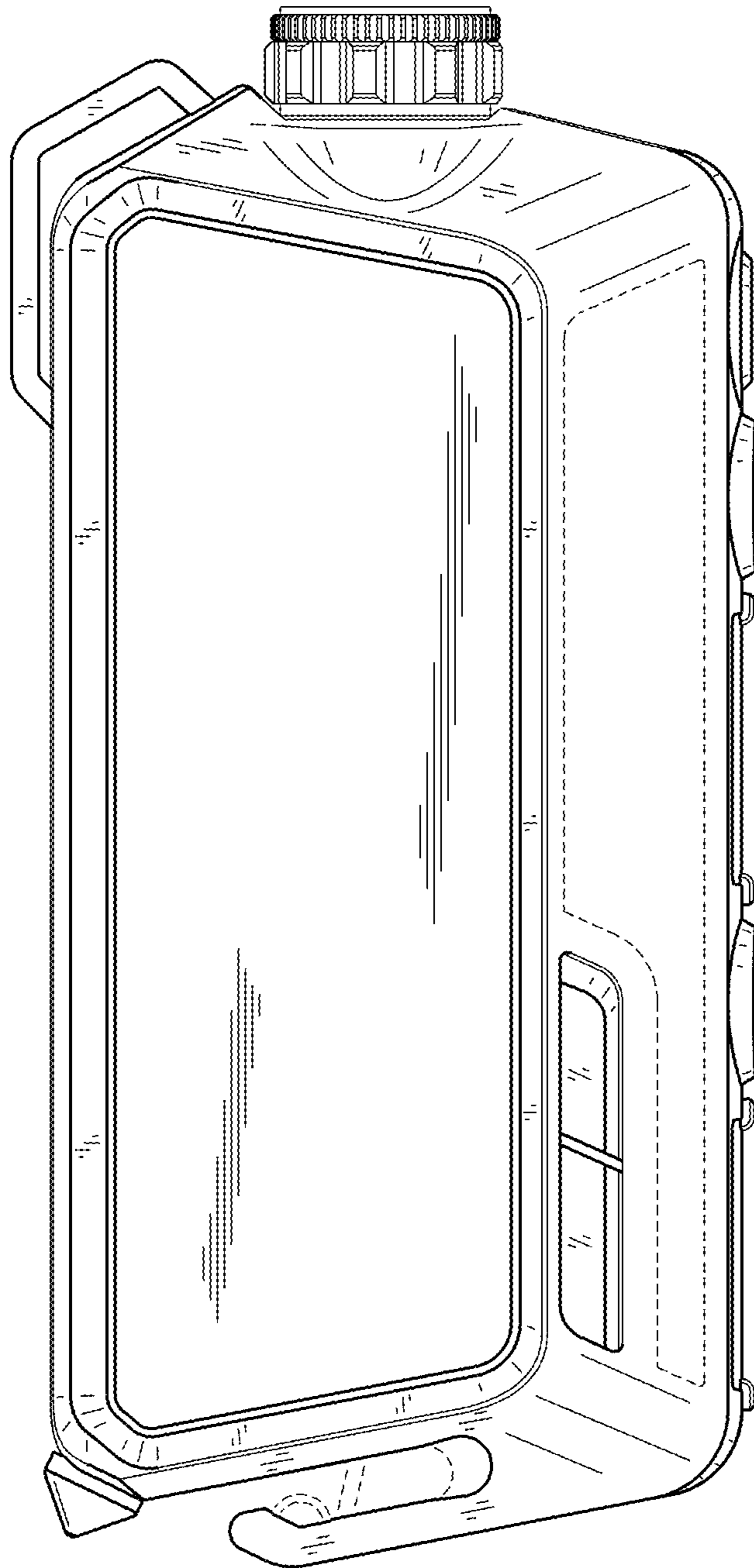


FIG. 8