



US00D884604S

(12) **United States Design Patent**
Xie

(10) **Patent No.:** **US D884,604 S**

(45) **Date of Patent:** **** May 19, 2020**

(54) **BATTERY BOX**

(71) Applicant: **Huarong Xie**, Guangdong (CN)

(72) Inventor: **Huarong Xie**, Guangdong (CN)

(**) Term: **15 Years**

(21) Appl. No.: **29/702,449**

(22) Filed: **Aug. 20, 2019**

(51) **LOC (12) Cl.** **13-02**

(52) **U.S. Cl.**
USPC **D13/103**

(58) **Field of Classification Search**

USPC D13/102–106, 110, 118–119, 184
CPC .. H01M 2200/00; H01M 2/1016; H01M 2/02;
H01M 2/022; H01M 2/0202; H01M
2/0207; H01M 2/0212; H01M 2/1061;
H01M 2/1022; H01M 2/1055; H01M
2/1066; H01M 2/105; H01M 2/204;
H01M 10/4257; H01M 10/0436; H01M
10/48; H01M 10/42; Y02E 60/12; Y02E
60/122; Y02E 60/124; Y02E 60/50
See application file for complete search history.

(56) **References Cited**

U.S. PATENT DOCUMENTS

D600,000 S * 9/2009 Horito D13/102
D673,316 S * 12/2012 Oshima D26/50
D718,480 S * 11/2014 Lee D26/41
D738,302 S * 9/2015 Jeong D13/108
D757,646 S * 5/2016 Pearson D13/103

D783,872 S * 4/2017 Aksnes D26/41
D784,835 S * 4/2017 Kim D10/106.1
D844,203 S * 3/2019 Ma D26/41
D848,946 S * 5/2019 Xie D13/119
D850,683 S * 6/2019 Shelton D26/41
D851,584 S * 6/2019 Luke D13/103
D857,959 S * 8/2019 Yu D26/41
D860,943 S * 9/2019 Xie D13/119

* cited by examiner

Primary Examiner — Nathaniel D. Buckner

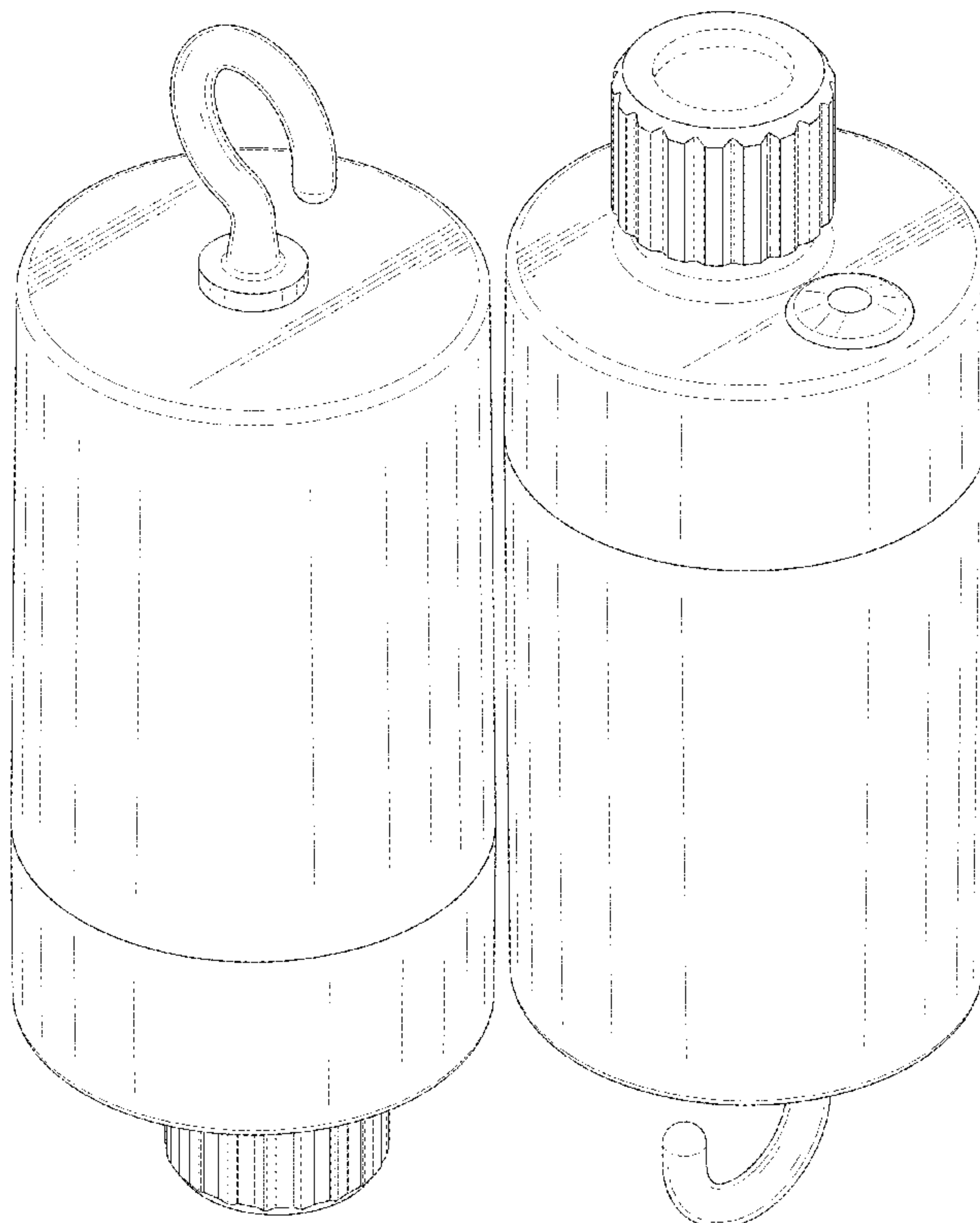
(57) **CLAIM**

The ornamental design for a battery box, as shown and described.

DESCRIPTION

FIG. 1 is a top, front and right side perspective view of a battery box showing my new design;
FIG. 2 is a bottom, rear and right side perspective view thereof;
FIG. 3 is a front elevational view thereof;
FIG. 4 is a rear elevational view thereof;
FIG. 5 is a left side view thereof;
FIG. 6 is a right side view thereof;
FIG. 7 is a top plan view thereof; and,
FIG. 8 is a bottom plan view thereof.
The broken lines in the drawings illustrate portions of the battery box which form no part of the claimed design.

1 Claim, 8 Drawing Sheets



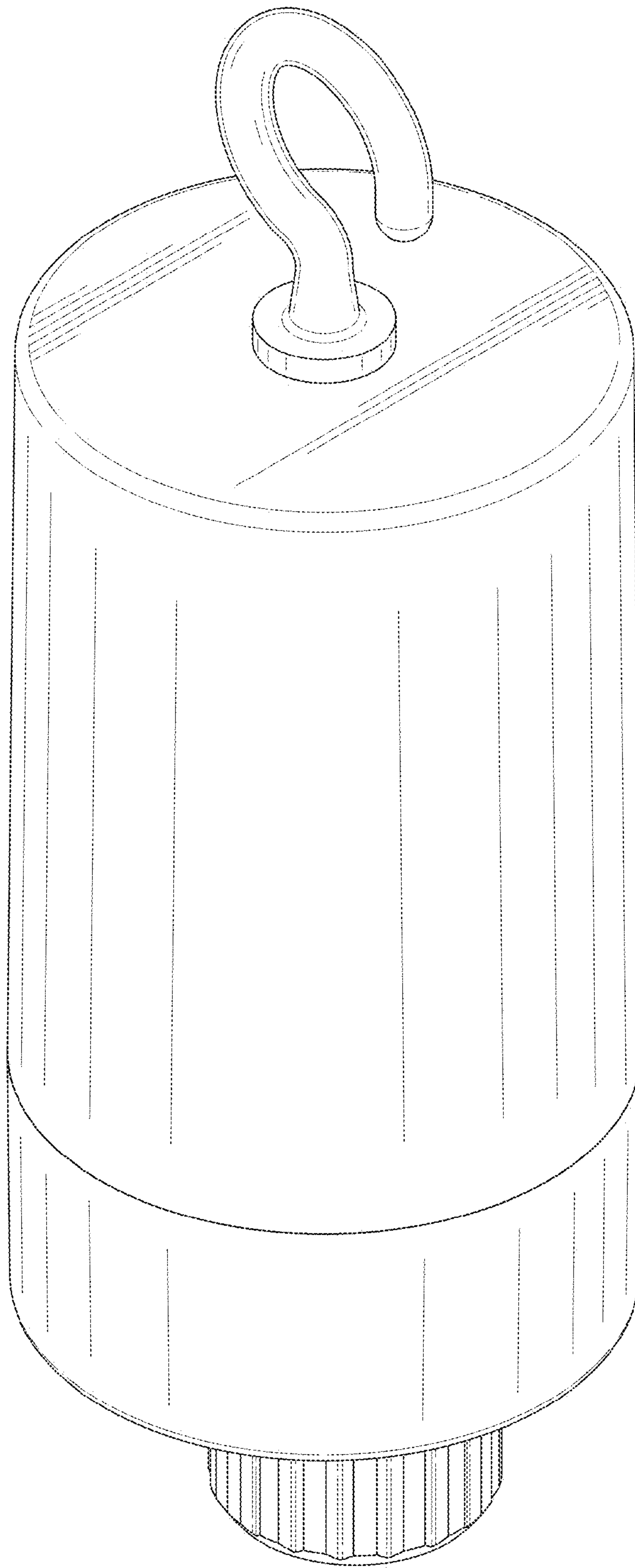


FIG. 1

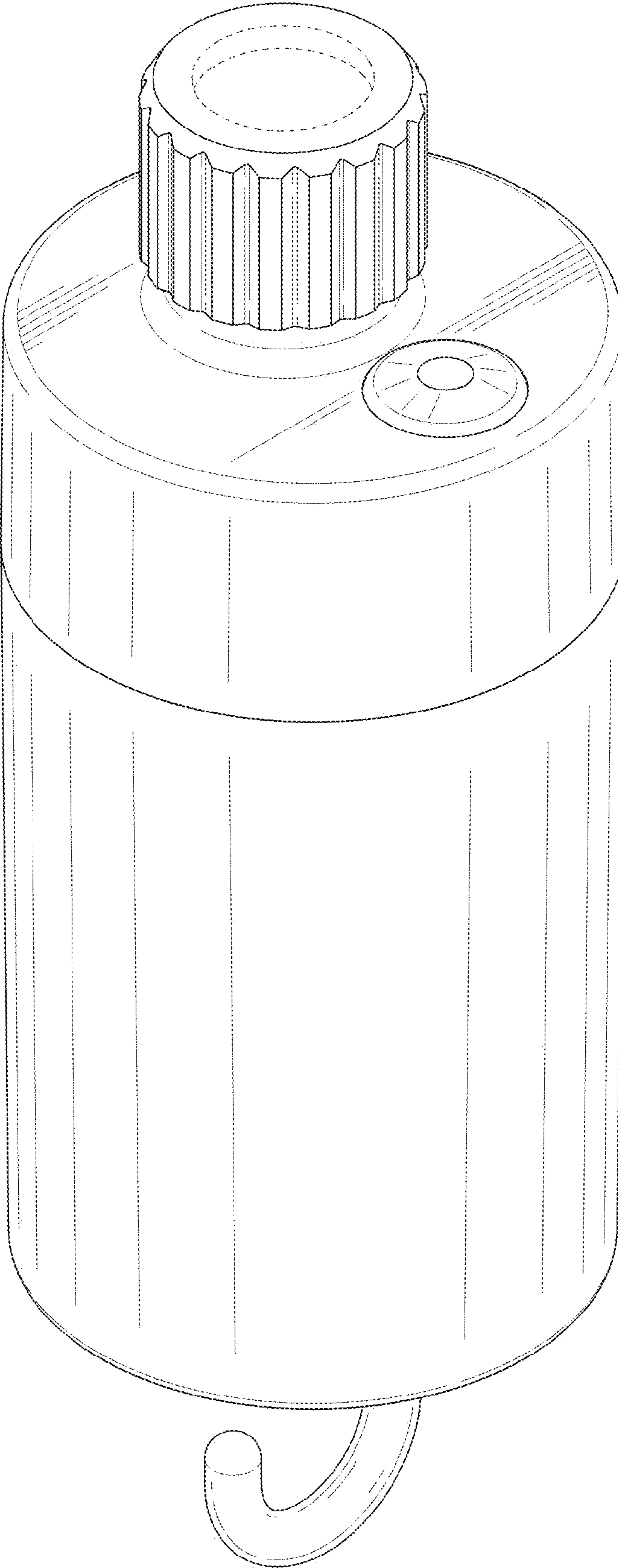


FIG. 2

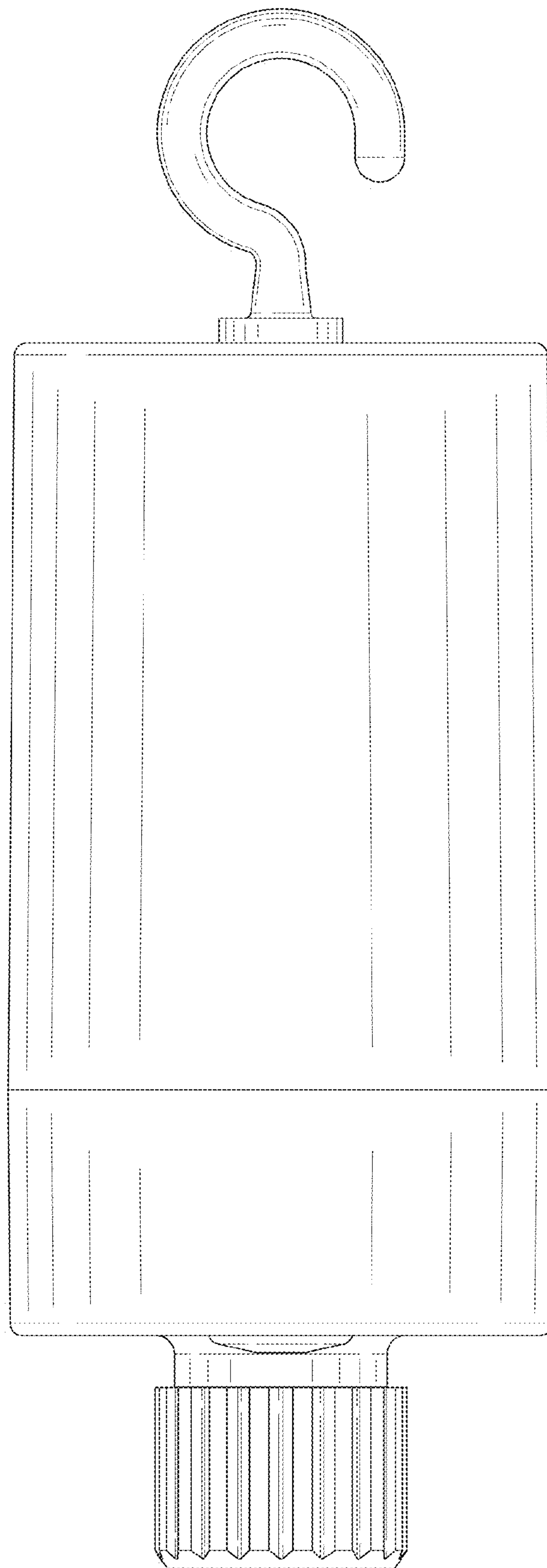


FIG. 3

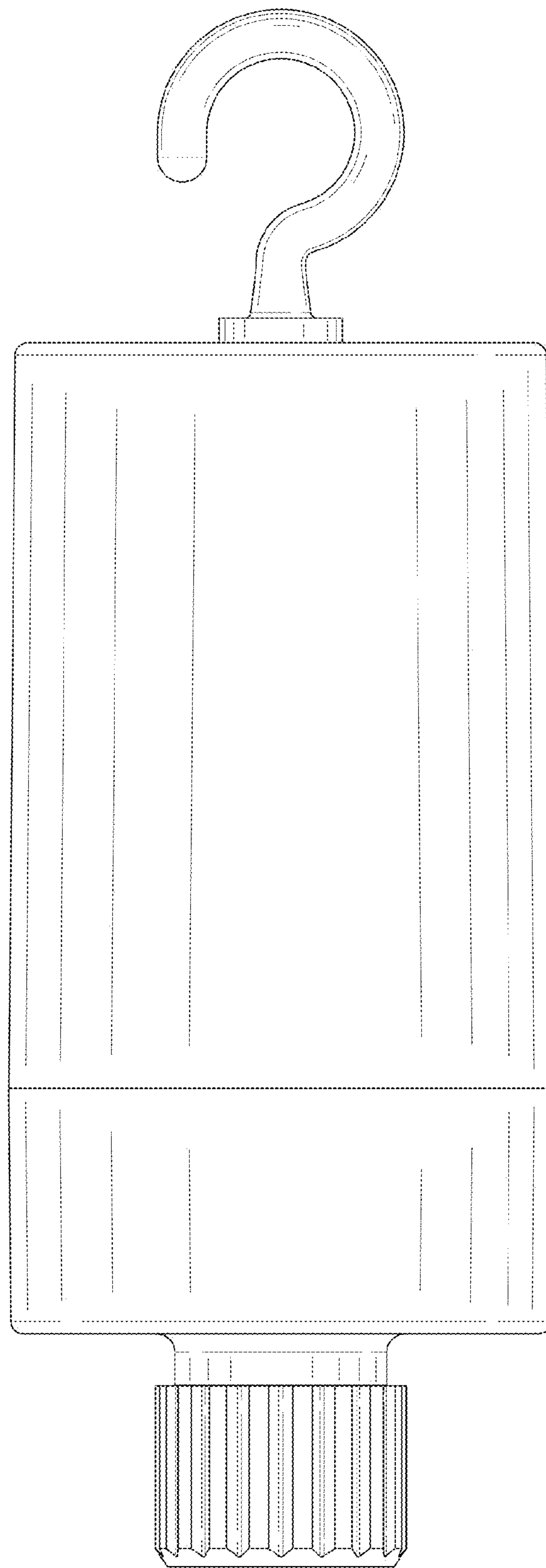


FIG. 4

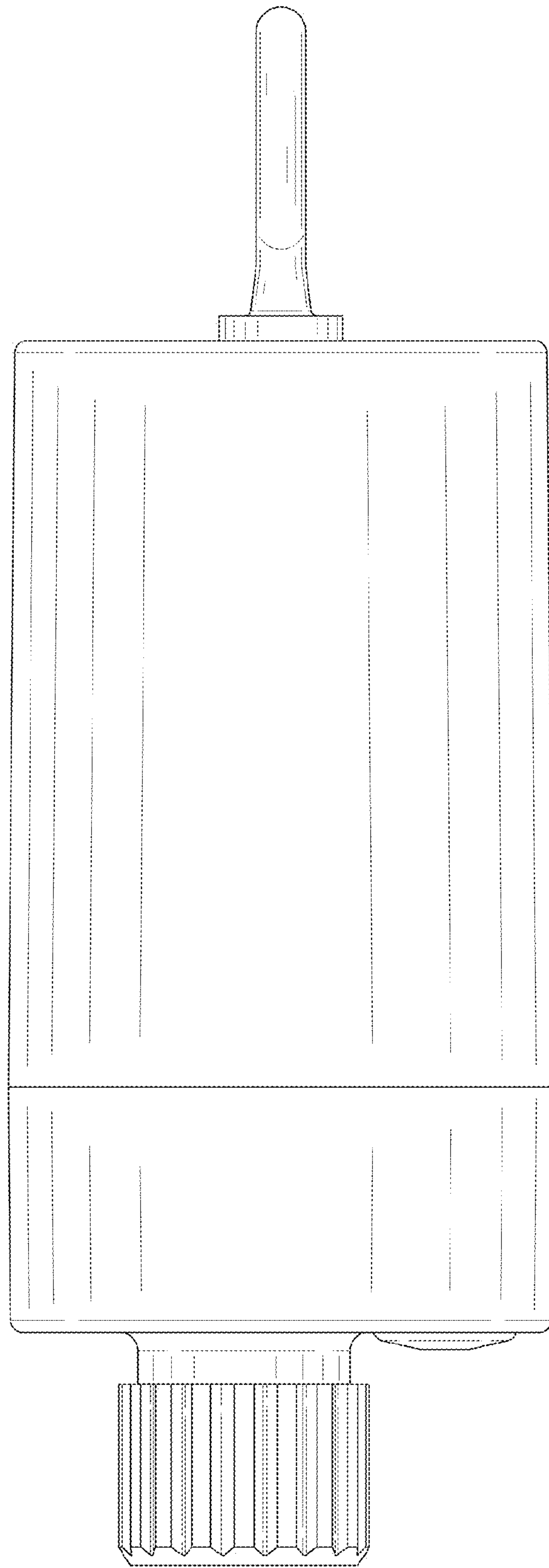


FIG. 5

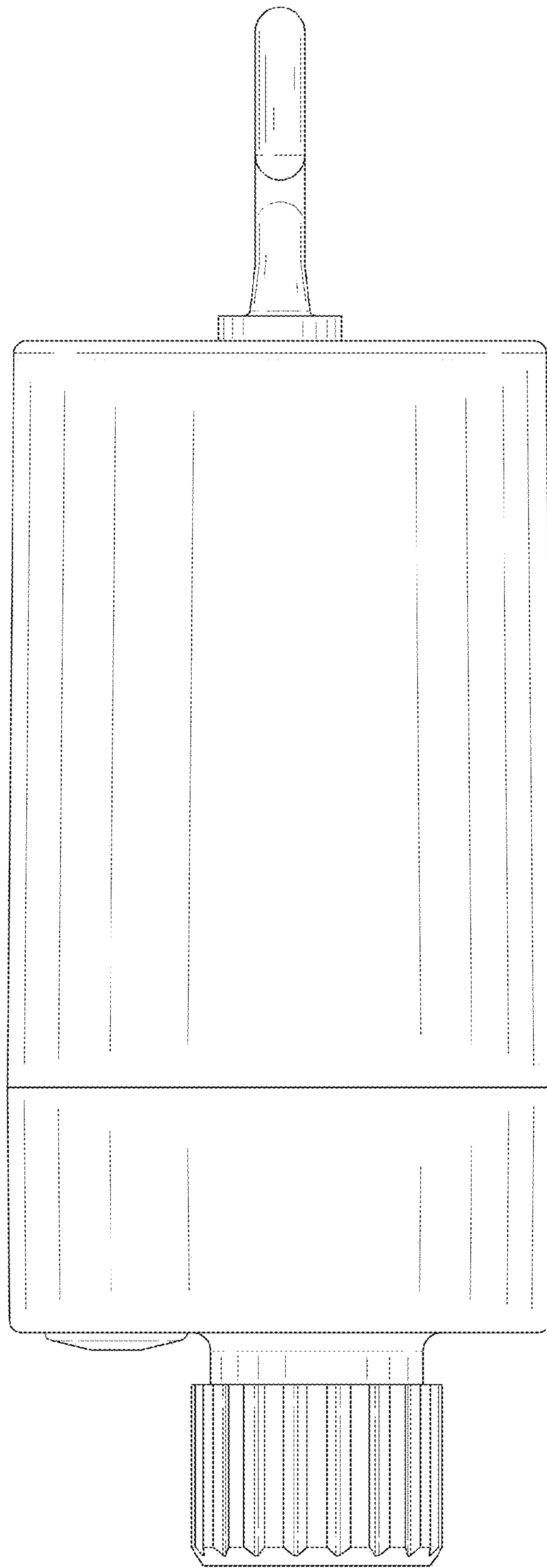


FIG. 6

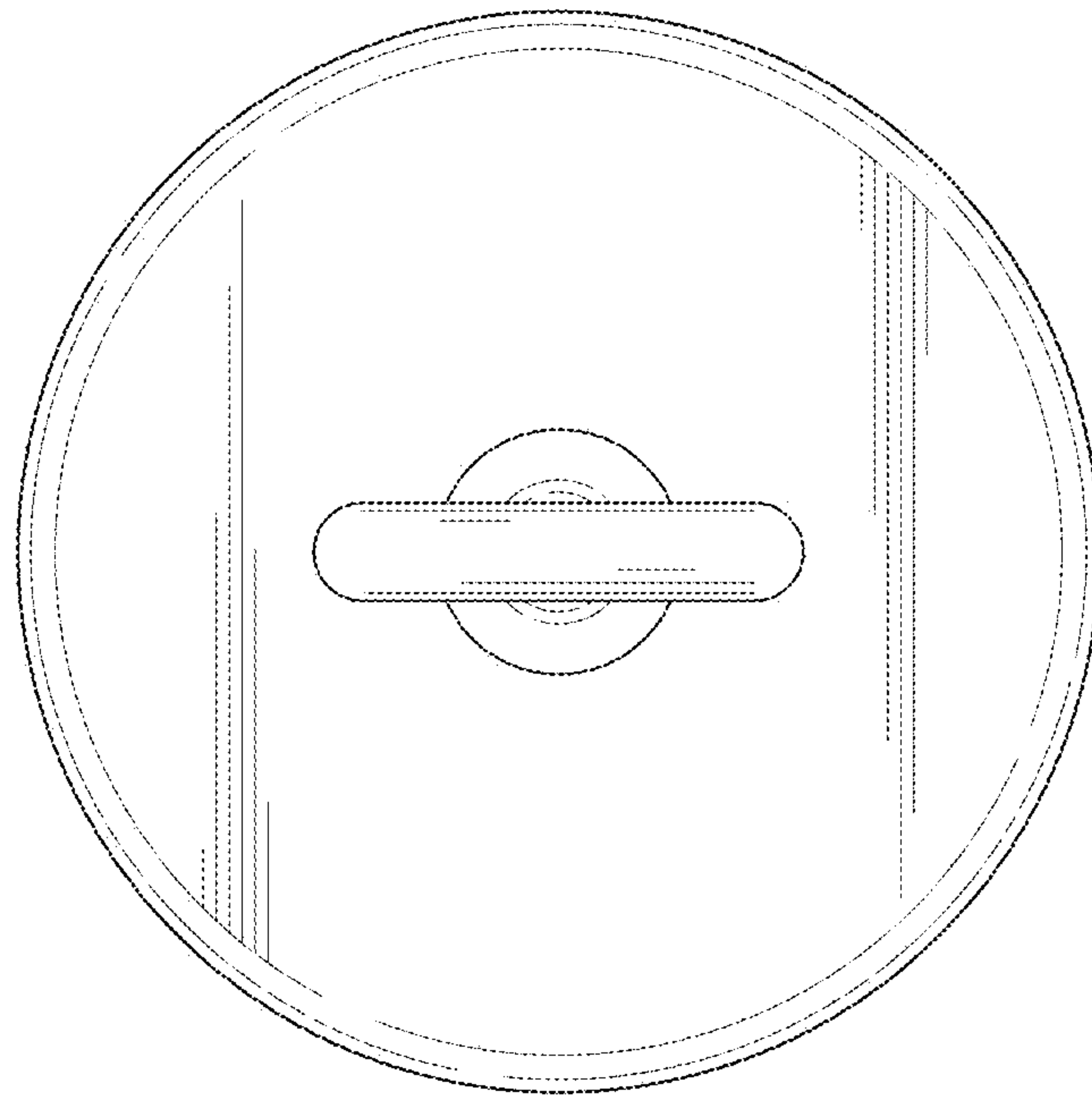


FIG. 7

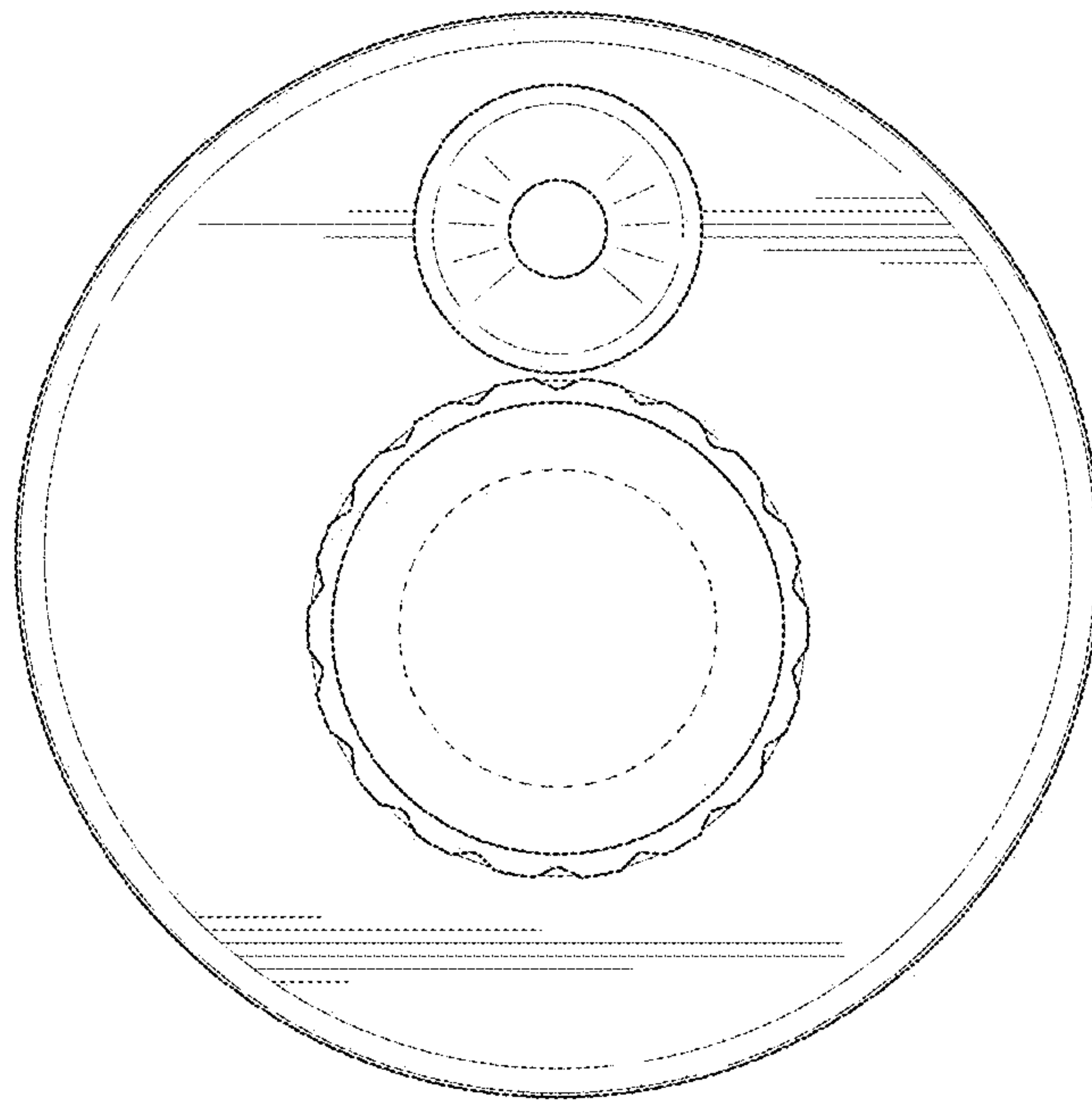


FIG. 8