



US00D884601S

(12) **United States Design Patent**  
**Zhou**

(10) **Patent No.:** **US D884,601 S**

(45) **Date of Patent:** **\*\* May 19, 2020**

(54) **BATTERY PACK**

(56) **References Cited**

(71) Applicant: **Positec Power Tools (Suzhou) Co., Ltd.**, Suzhou (CN)

(72) Inventor: **Haibo Zhou**, Suzhou (CN)

(73) Assignee: **Positec Power Tools (Suzhou) Co., Ltd.**, Suzhou (CN)

(\*\*) Term: **15 Years**

(21) Appl. No.: **29/633,246**

(22) Filed: **Jan. 12, 2018**

U.S. PATENT DOCUMENTS

|              |    |   |         |             |       |                       |
|--------------|----|---|---------|-------------|-------|-----------------------|
| D550,152     | S  | * | 9/2007  | Okuda       | ..... | D13/103               |
| D589,440     | S  | * | 3/2009  | Van Wambeke | ..... | D13/103               |
| D633,036     | S  | * | 2/2011  | Murray      | ..... | D13/103               |
| D640,628     | S  | * | 6/2011  | Lopano      | ..... | D13/103               |
| D685,730     | S  | * | 7/2013  | Hamm        | ..... | D13/103               |
| D785,562     | S  | * | 5/2017  | Cooper      | ..... | D13/103               |
| D797,661     | S  | * | 9/2017  | Elder       | ..... | D13/103               |
| D801,919     | S  | * | 11/2017 | Elder       | ..... | D13/103               |
| D812,555     | S  | * | 3/2018  | Schoch      | ..... | D13/103               |
| D819,562     | S  | * | 6/2018  | Waldron     | ..... | D13/103               |
| D826,149     | S  | * | 8/2018  | Cooper      | ..... | D13/103               |
| D826,150     | S  | * | 8/2018  | Cayon       | ..... | D13/103               |
| 2013/0280573 | A1 | * | 10/2013 | Taga        | ..... | H01M 2/105<br>429/100 |

(30) **Foreign Application Priority Data**

FOREIGN PATENT DOCUMENTS

Jul. 14, 2017 (CN) ..... 2017 3 0309905

|    |            |        |
|----|------------|--------|
| CN | 300756781D | 3/2008 |
| CN | 301004273D | 9/2009 |

(51) **LOC (12) Cl.** ..... **13-02**

(Continued)

(52) **U.S. Cl.**  
USPC ..... **D13/103**

*Primary Examiner* — Nathaniel D. Buckner  
(74) *Attorney, Agent, or Firm* — Middleton Reutlinger

(58) **Field of Classification Search**  
USPC .... D13/102–110, 139.8, 118–119, 184, 199;  
D14/356, 432

(57) **CLAIM**

The ornamental design for a battery pack, as shown and described.

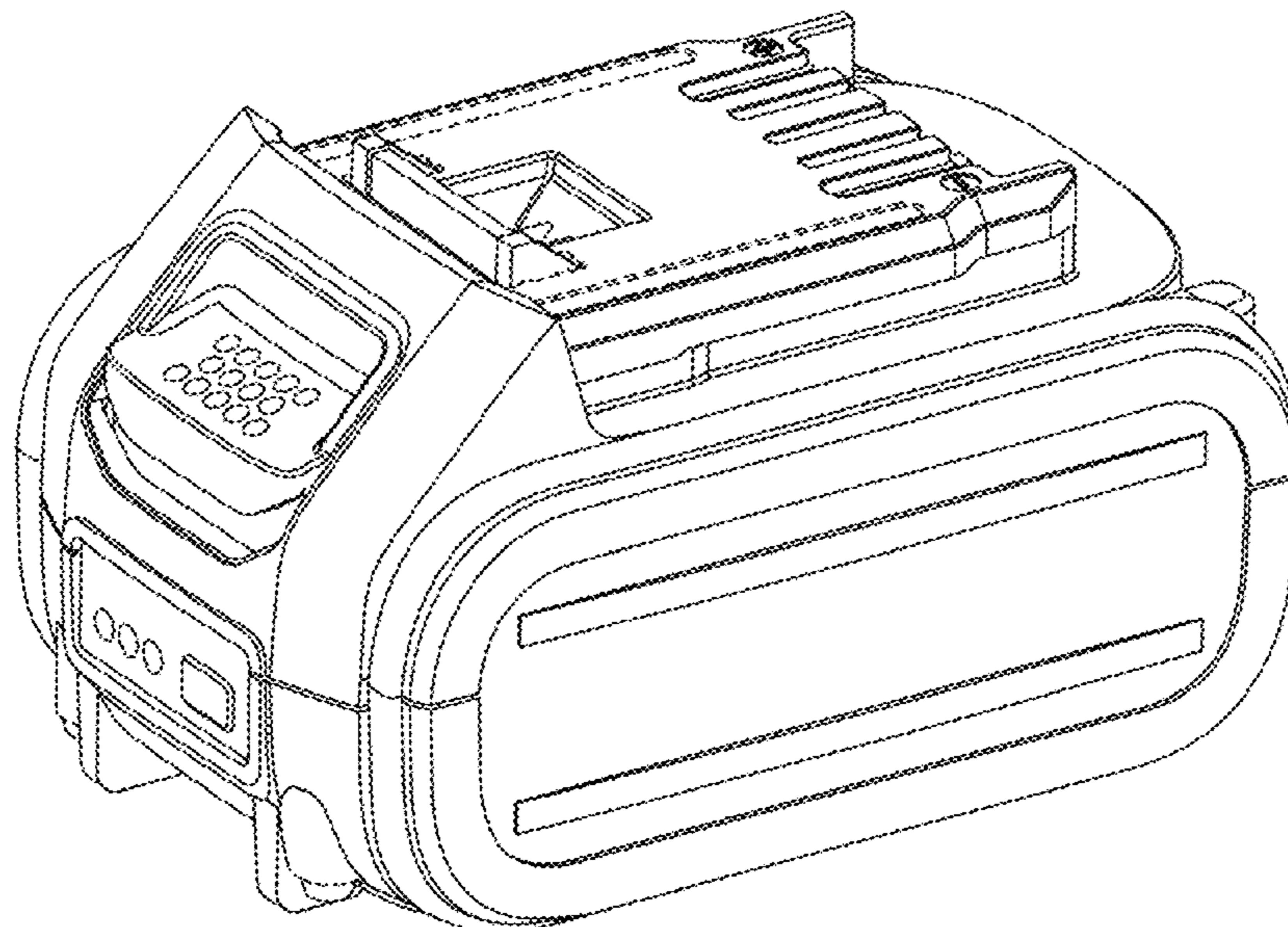
CPC ..... Y02E 60/10; Y02E 60/12; Y02E 60/122;  
Y02E 60/124; Y02E 60/50; H01M 2/02;  
H01M 2/022; H01M 2/0202; H01M  
2/0207; H01M 2/0212; H01M 2/1061;  
H01M 2/1022; H01M 2/1055; H01M  
2/1066; H01M 2/105; H01M 2/20; H01M  
2/204; H01M 2/206; H01M 10/44; H01M  
10/46; H01M 10/465; H01M 10/482;  
H01M 2200/30; H01M 2250/30; H01M  
2250/40; H02J 7/00; H02J 7/0003; H02J  
7/0011; H02J 7/0013; H02J 7/0054; H02J  
7/0055; H02J 7/0057; H02J 2007/0062

**DESCRIPTION**

FIG. 1 is a left front perspective view of a battery pack.  
FIG. 2 is a rear view of the battery pack of FIG. 1.  
FIG. 3 is a front view of the battery pack of FIG. 1.  
FIG. 4 is a left side view of the battery pack of FIG. 1.  
FIG. 5 is a right side view of the battery pack of FIG. 1.  
FIG. 6 is a top view of the battery pack of FIG. 1; and,  
FIG. 7 is a bottom view of the battery pack of FIG. 1.  
The broken lines shown in the drawings are included for the purpose of illustrating the unclaimed portions of a battery pack. The broken lines form no part of the claimed design.

See application file for complete search history.

**1 Claim, 7 Drawing Sheets**



(56)

**References Cited**

FOREIGN PATENT DOCUMENTS

|    |             |         |
|----|-------------|---------|
| CN | 301061699D  | 11/2009 |
| CN | 301122821D  | 1/2010  |
| CN | 301966839 S | 6/2012  |
| CN | 302948957 S | 9/2014  |

\* cited by examiner

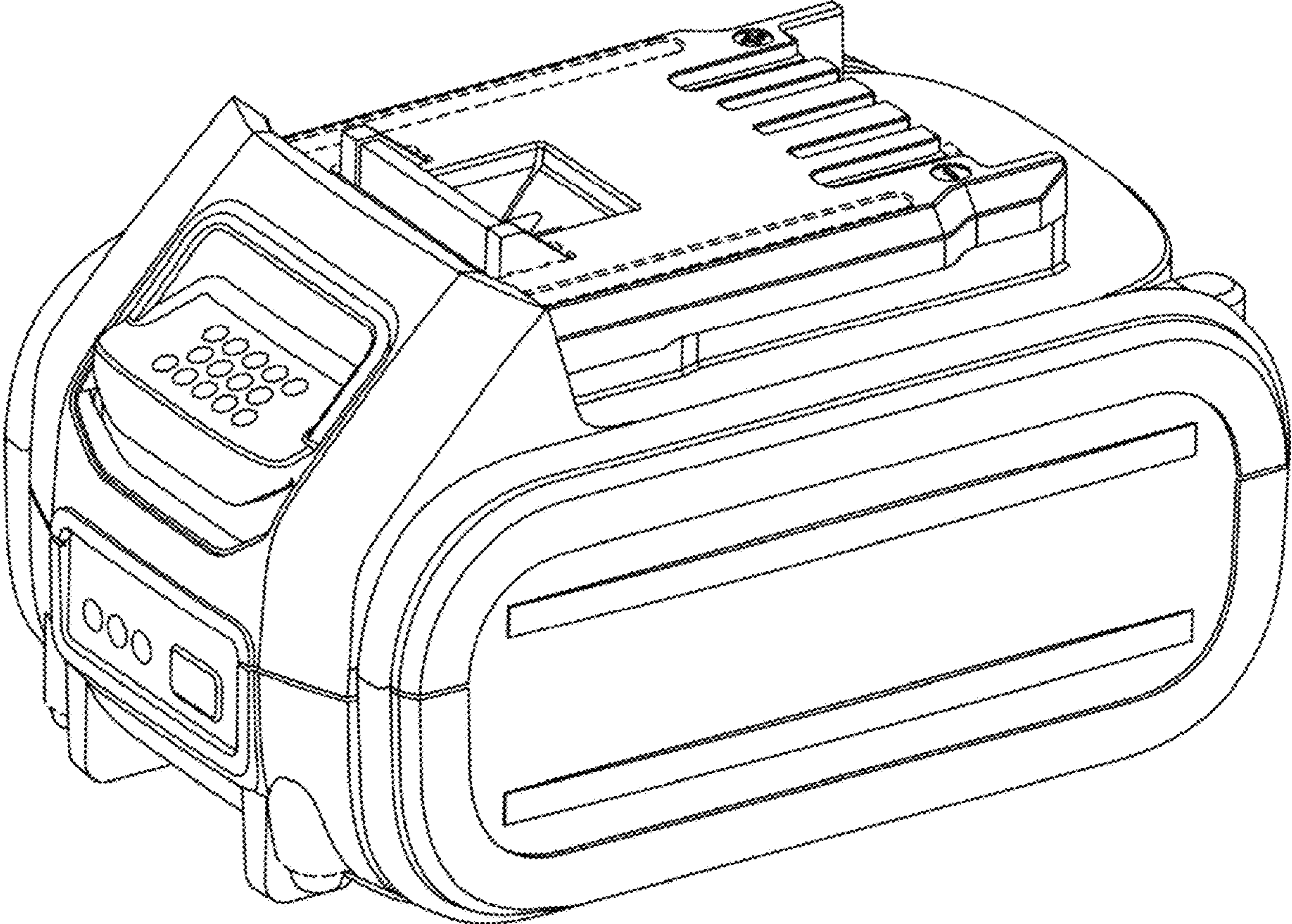


FIG. 1



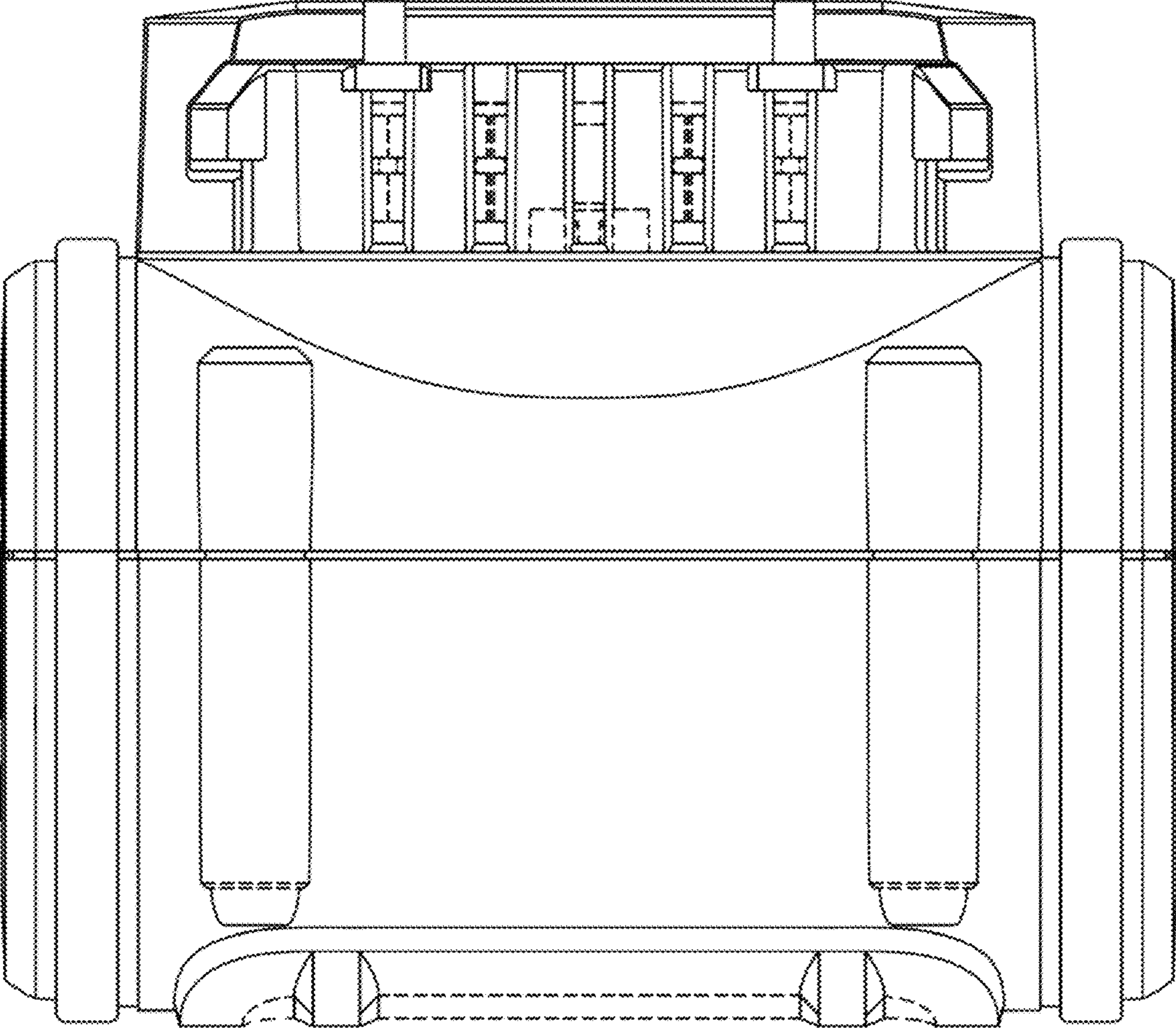


FIG. 2

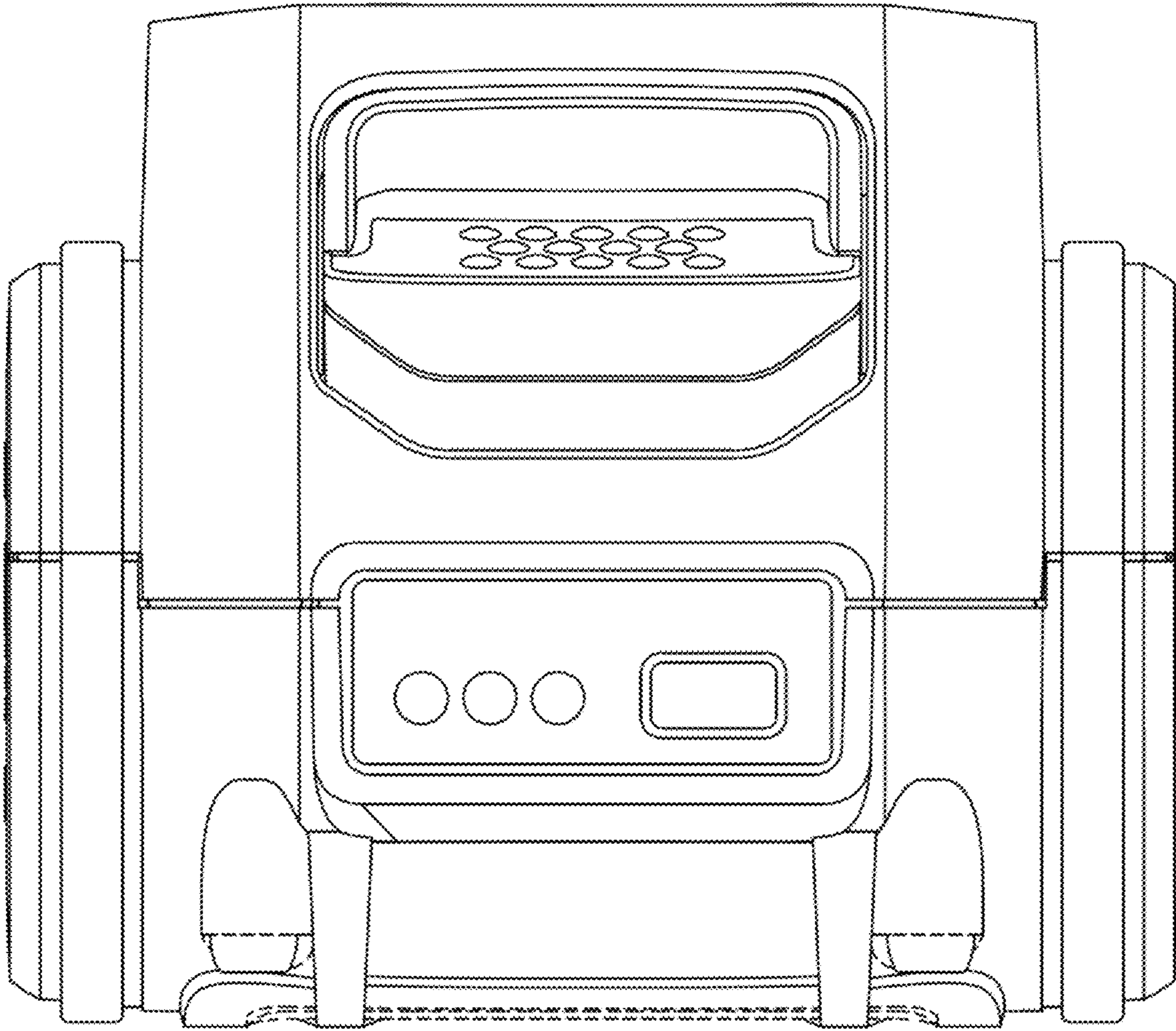


FIG. 3

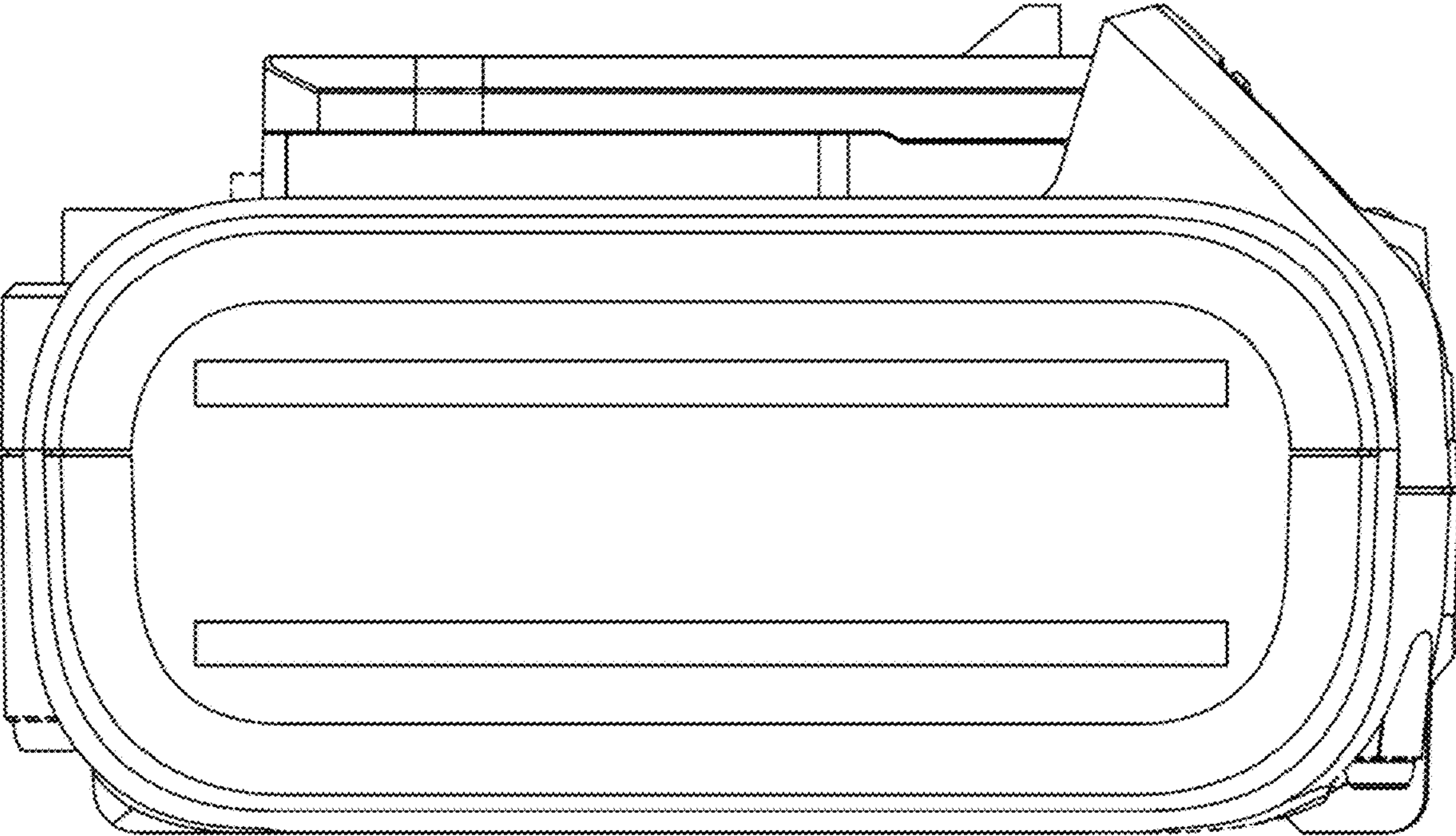


FIG. 4

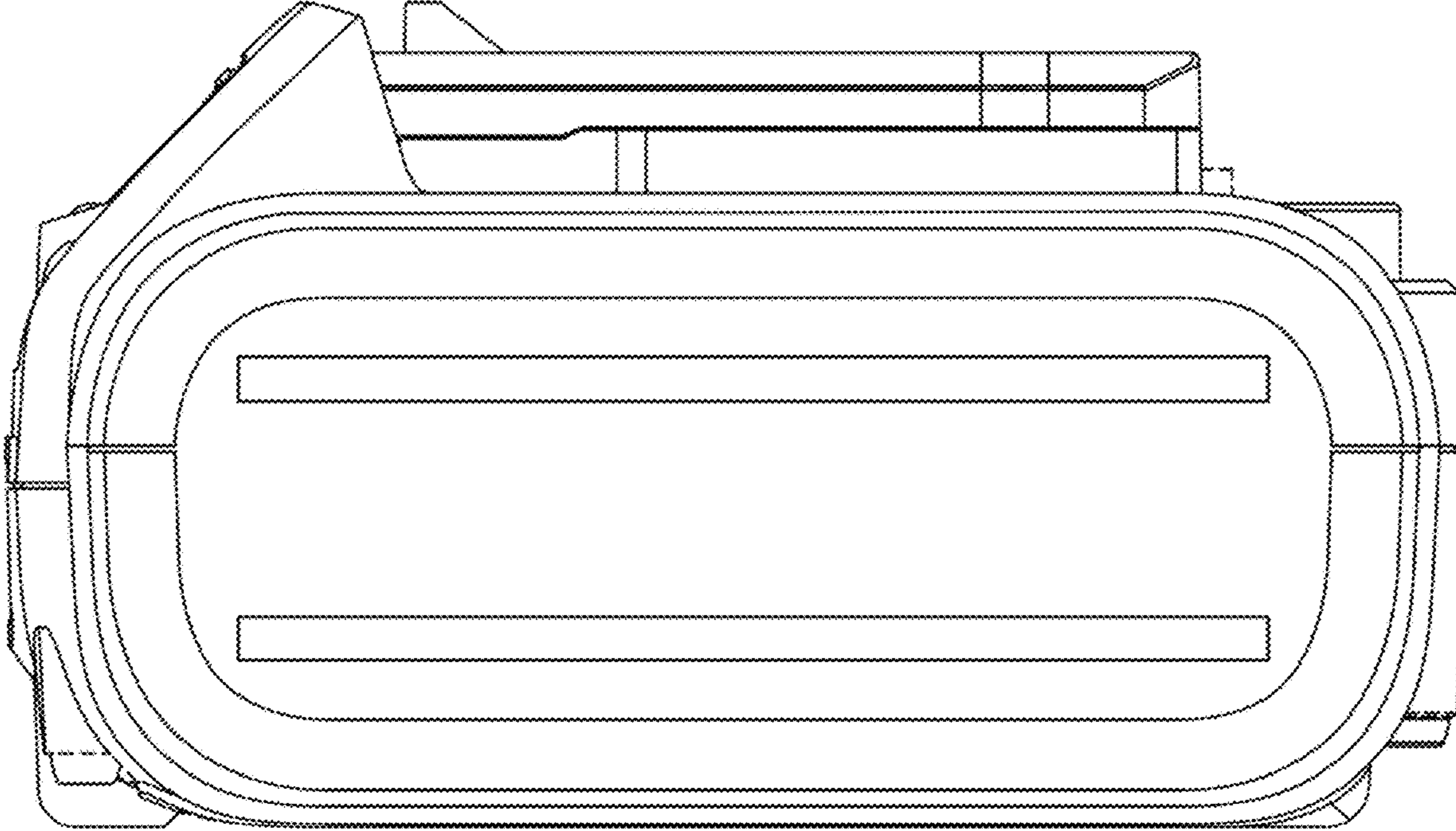


FIG. 5



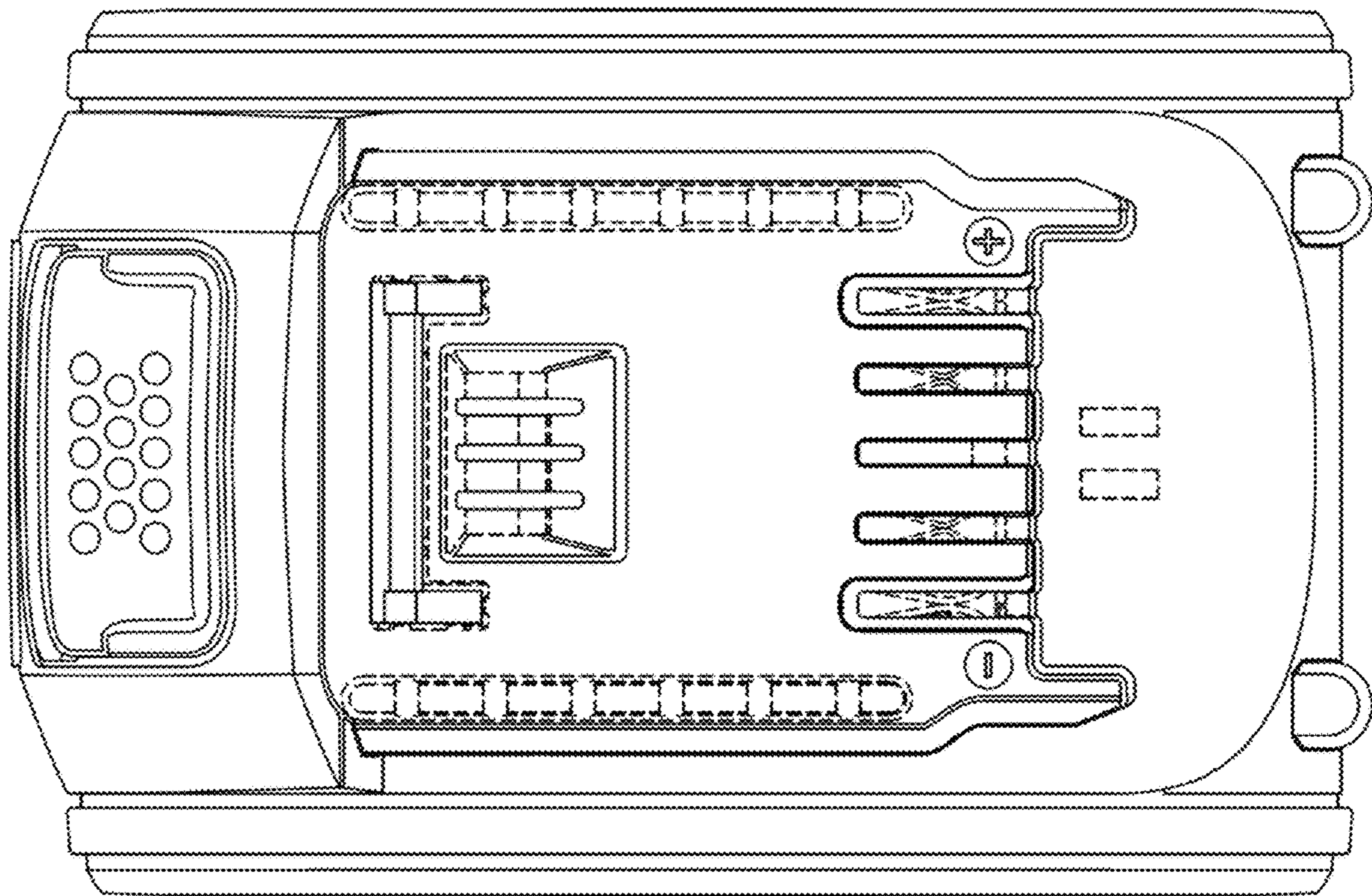


FIG. 6



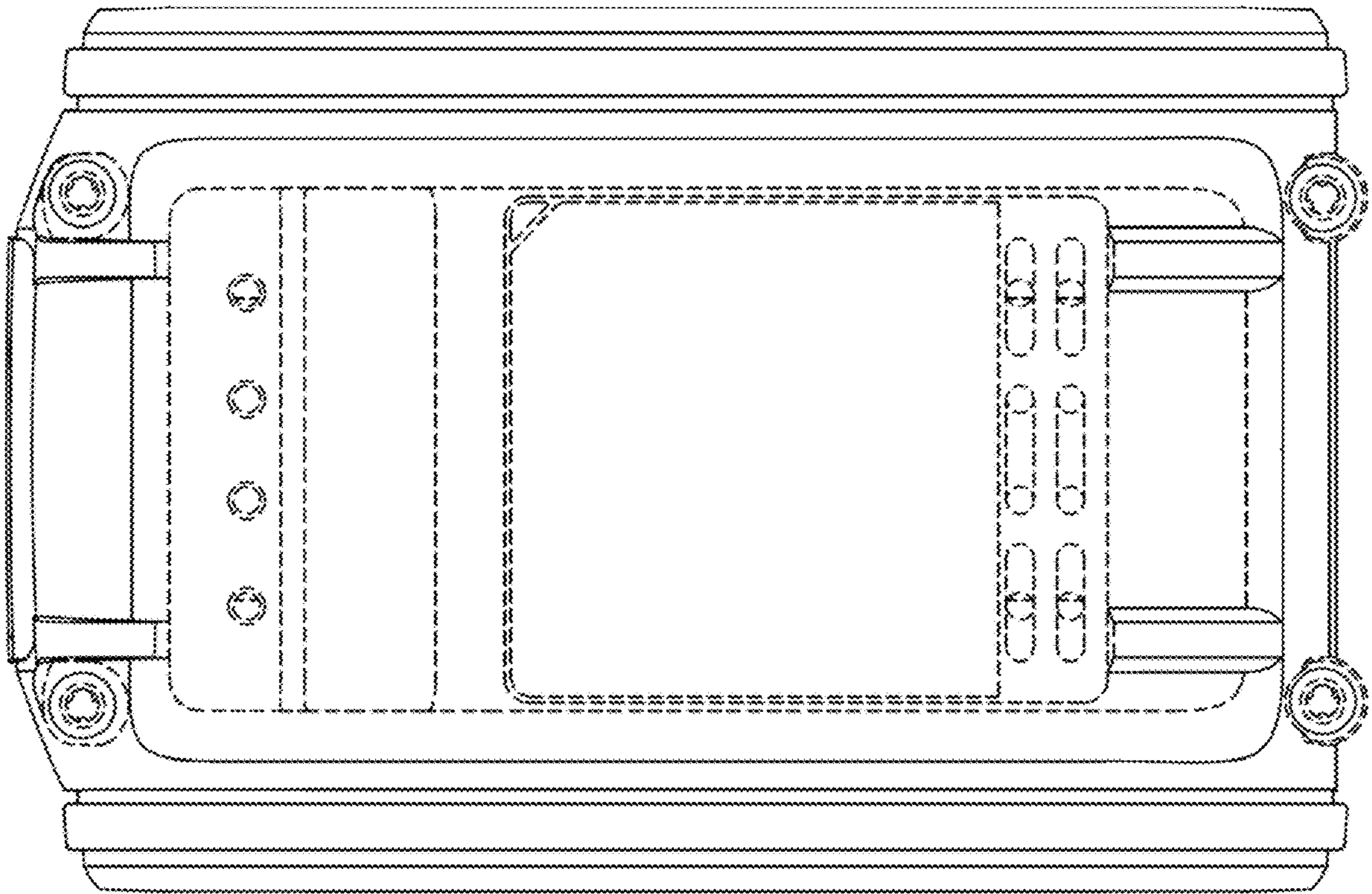


FIG. 7