



US00D884597S

(12) **United States Design Patent** (10) **Patent No.:** **US D884,597 S**  
**Pilliod et al.** (45) **Date of Patent:** **\*\* May 19, 2020**

(54) **BATTERY PACK**

(71) Applicants: **Michael Pilliod**, Los Angeles, CA (US);  
**Kevin Fine**, Redwood City, CA (US);  
**Radu Muntean**, Los Angeles, CA (US);  
**Javier Verdura**, Rancho Palos Verdes,  
CA (US); **Franz Von Holzhausen**,  
Malibu, CA (US)

(72) Inventors: **Michael Pilliod**, Los Angeles, CA (US);  
**Kevin Fine**, Redwood City, CA (US);  
**Radu Muntean**, Los Angeles, CA (US);  
**Javier Verdura**, Rancho Palos Verdes,  
CA (US); **Franz Von Holzhausen**,  
Malibu, CA (US)

(73) Assignee: **Tesla, Inc.**, Palo Alto, CA (US)

(\*\*) Term: **15 Years**

(21) Appl. No.: **29/602,049**

(22) Filed: **Apr. 27, 2017**

(51) **LOC (12) Cl.** ..... **13-02**

(52) **U.S. Cl.**  
USPC ..... **D13/103**

(58) **Field of Classification Search**  
USPC ..... D13/102–106, 110, 118–121, 184, 199  
CPC ..... Y02E 60/12; Y02E 60/122; Y02E 60/124;  
Y02E 60/50; H01M 2/02; H01M 2/022;  
H01M 2/0202; H01M 2/0207; H01M  
2/0212; H01M 2/1061; H01M 2/1022;  
H01M 2/1055; H01M 2/1066; H01M  
2/105; H01M 2/204; H01M 10/4257;  
H01M 10/0436; H01M 10/48  
See application file for complete search history.

(56) **References Cited**

U.S. PATENT DOCUMENTS

D203,542 S \* 1/1966 Dalton ..... D13/184  
D337,328 S \* 7/1993 Beaumont ..... D13/184

D409,140 S \* 5/1999 Endo ..... D13/119  
D632,643 S \* 2/2011 Tanaka ..... D13/103  
D648,676 S \* 11/2011 Brookshire ..... D13/110  
D660,787 S \* 5/2012 Lambert ..... D13/103  
D686,148 S \* 7/2013 Inaba ..... D13/103  
D733,043 S \* 6/2015 Hasbrook ..... D13/103  
D765,594 S \* 9/2016 Li ..... D13/103  
D771,561 S \* 11/2016 Walker ..... D13/103  
D826,145 S \* 8/2018 Kim ..... D13/103  
D826,146 S \* 8/2018 Kim ..... D13/103  
D826,147 S \* 8/2018 Kim ..... D13/103  
D826,148 S \* 8/2018 Kim ..... D13/103

\* cited by examiner

*Primary Examiner* — Rosemary K Tarcza

(74) *Attorney, Agent, or Firm* — Knobbe, Martens, Olson  
& Bear, LLP

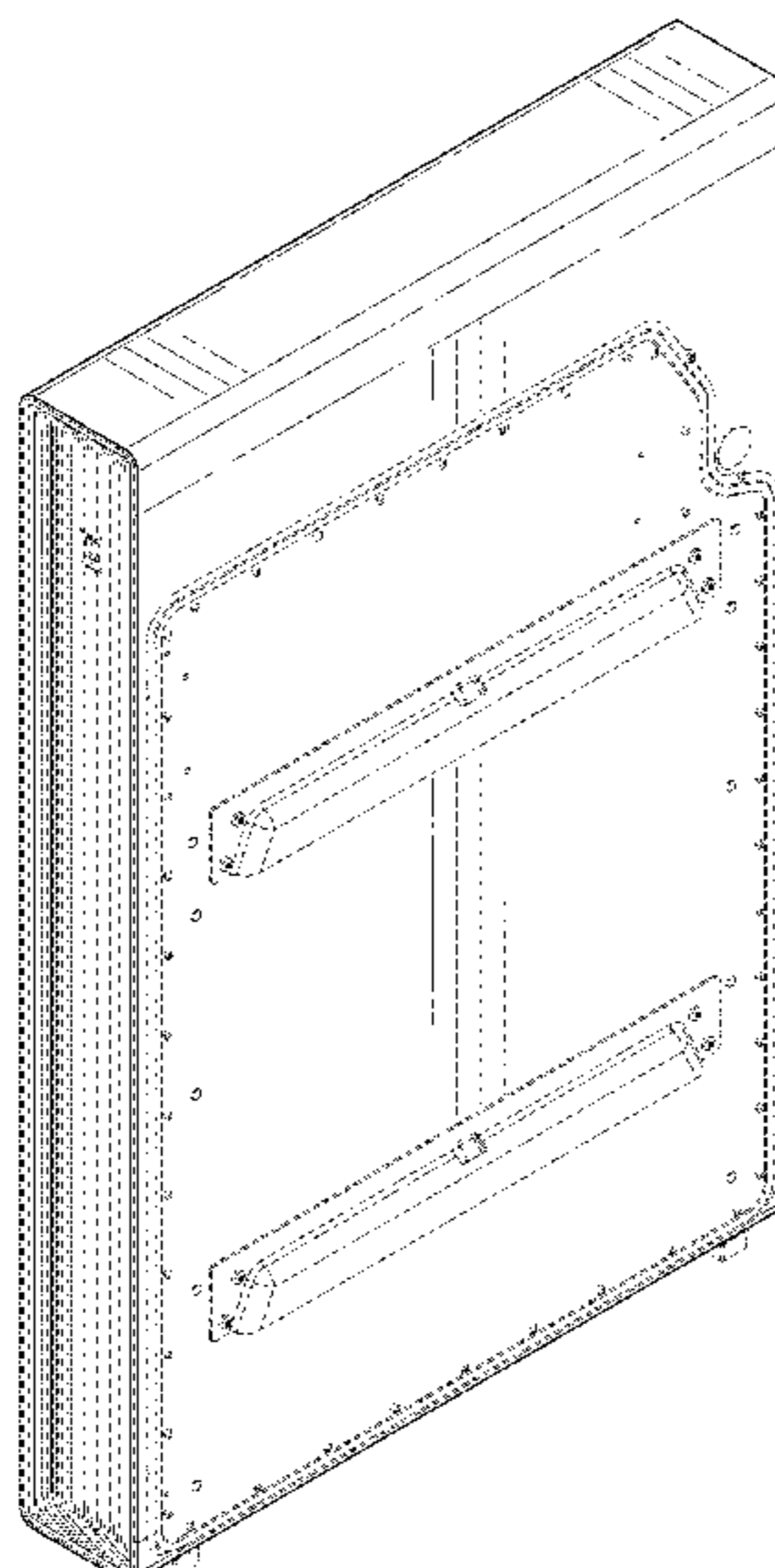
(57) **CLAIM**

The ornamental design for a battery pack, as shown and  
described.

**DESCRIPTION**

FIG. 1 is a rear perspective view of a battery pack showing  
our new design;  
FIG. 2 is a front perspective view thereof;  
FIG. 3 is a front view thereof;  
FIG. 4 is a rear view thereof;  
FIG. 5 is a left view thereof;  
FIG. 6 is a right view thereof;  
FIG. 7 is a top view thereof; and,  
FIG. 8 is a bottom view thereof.  
The broken lines shown in the drawings are for the purpose  
of illustrating portions of the battery pack that form no part  
of the claimed design.

**1 Claim, 6 Drawing Sheets**



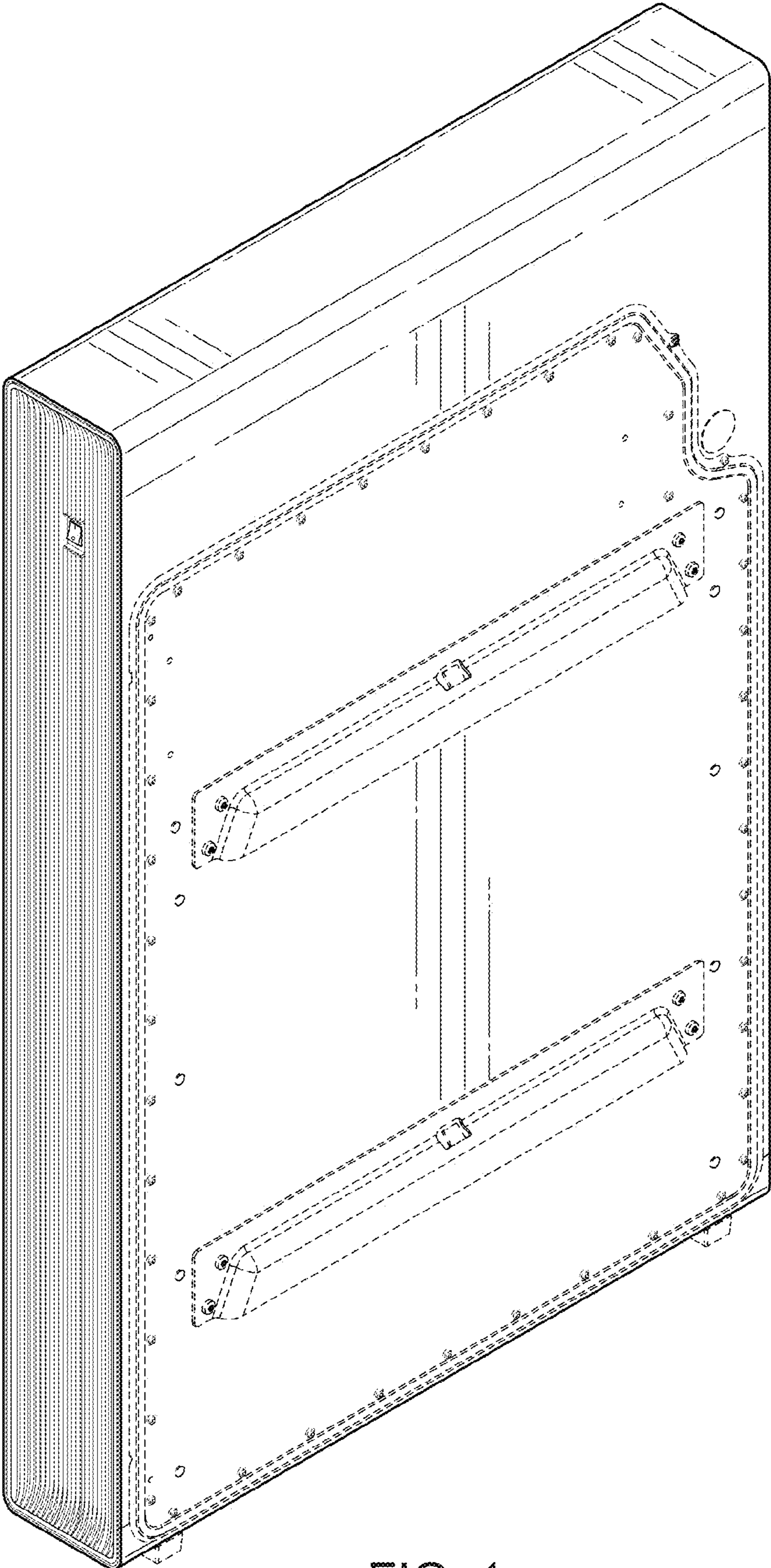


FIG. 1

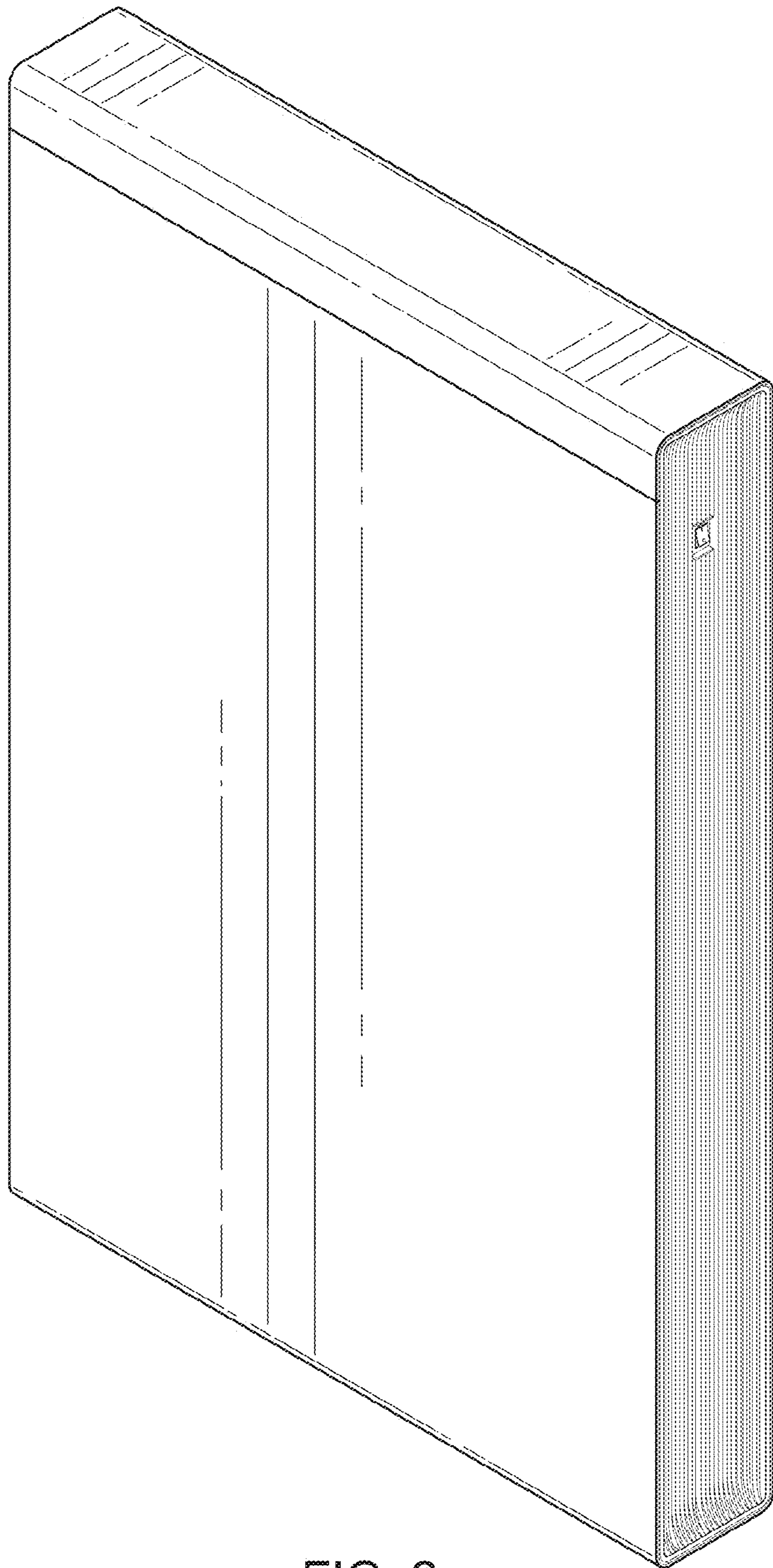


FIG. 2

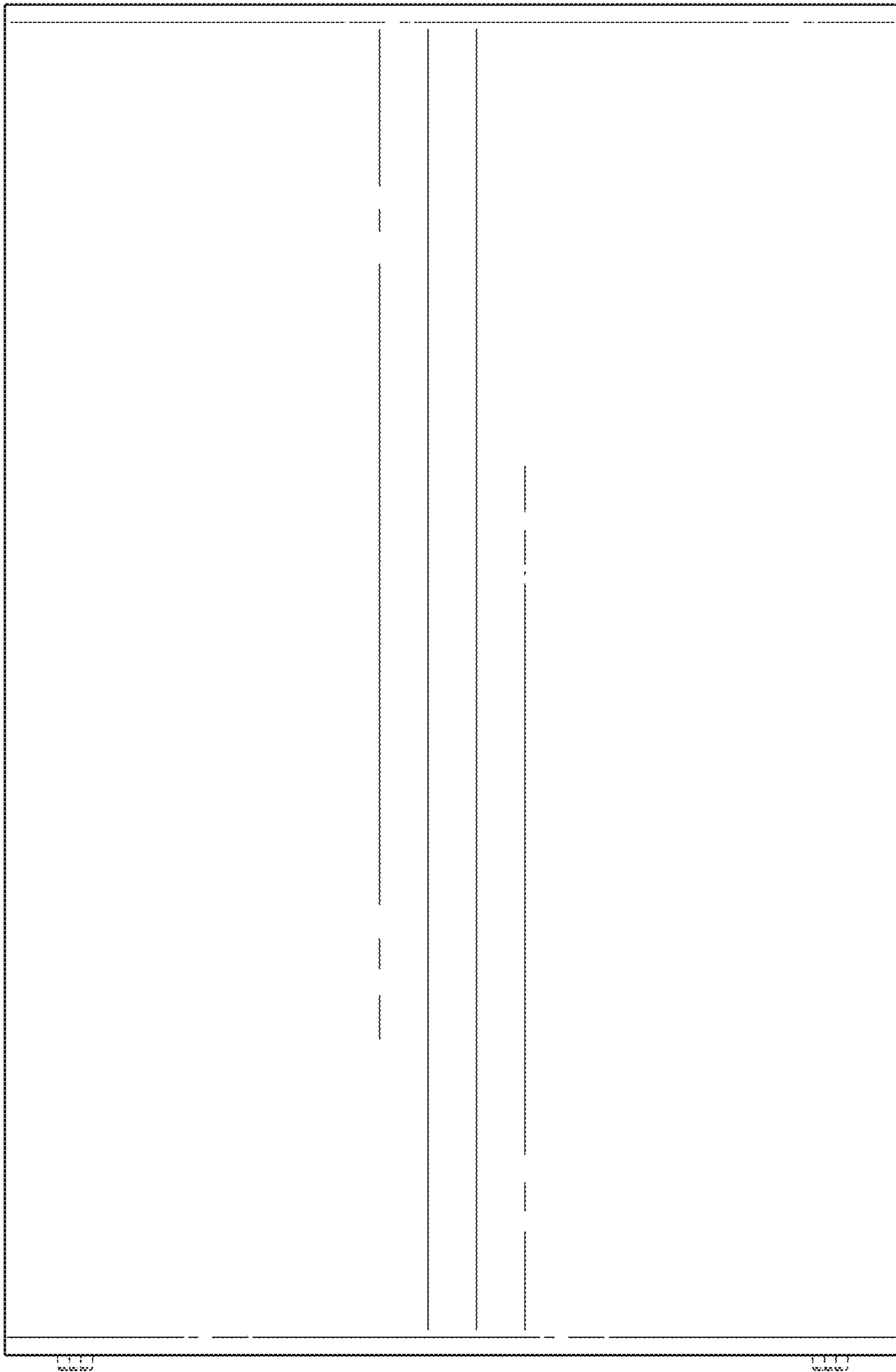


FIG. 3

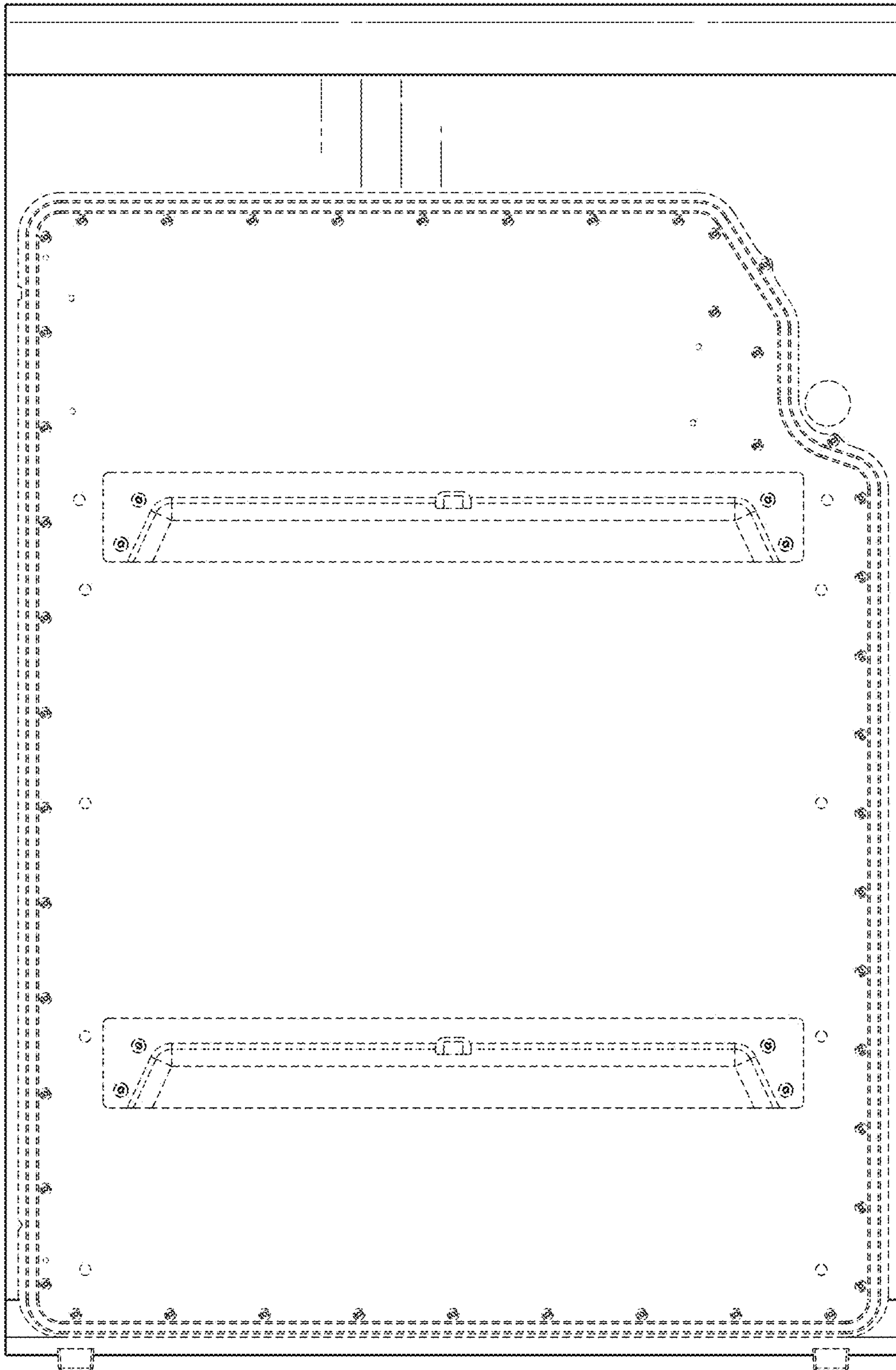


FIG. 4

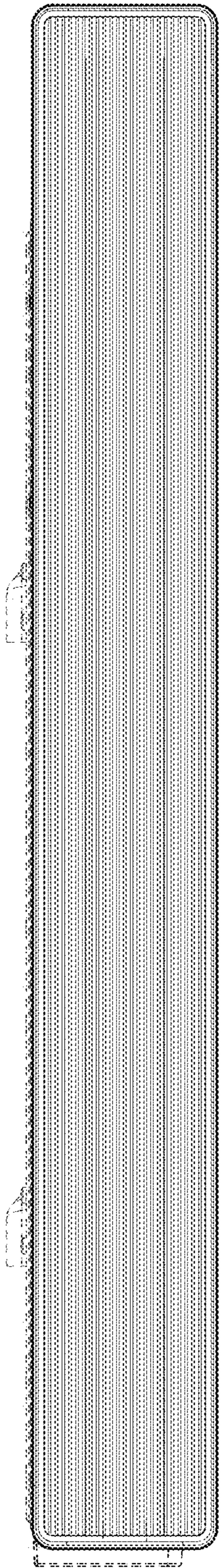


FIG. 5

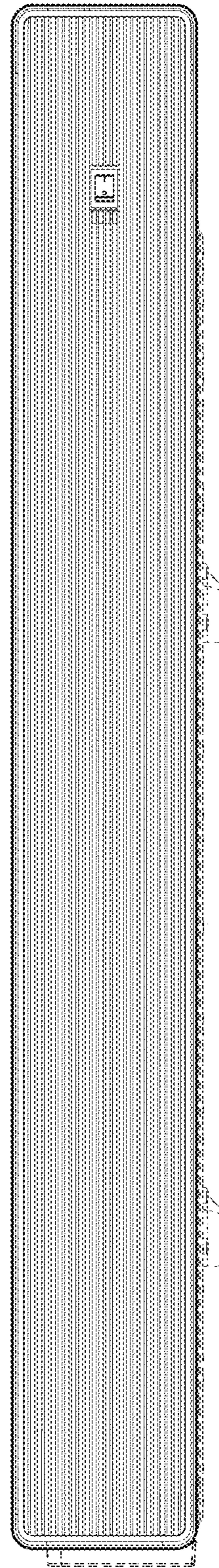


FIG. 6

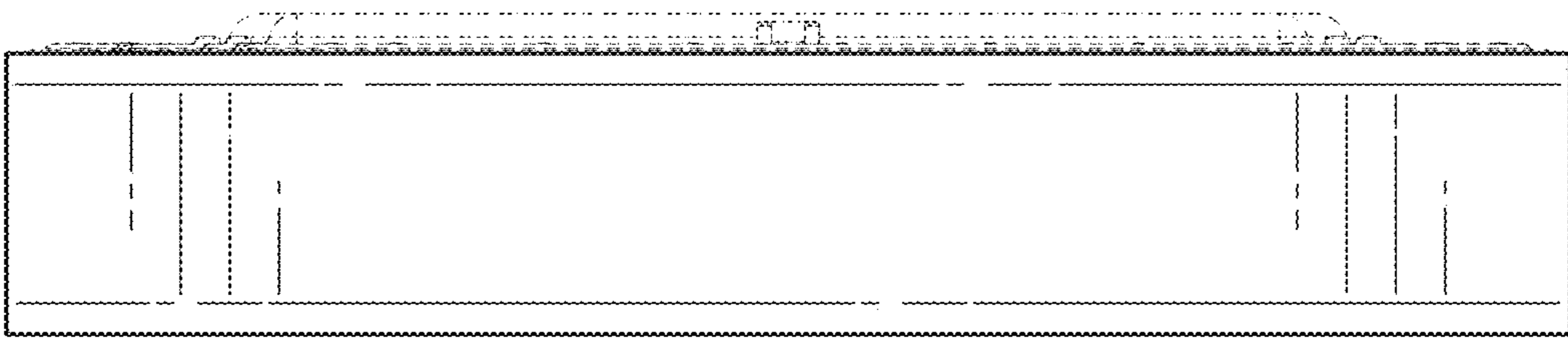


FIG. 7

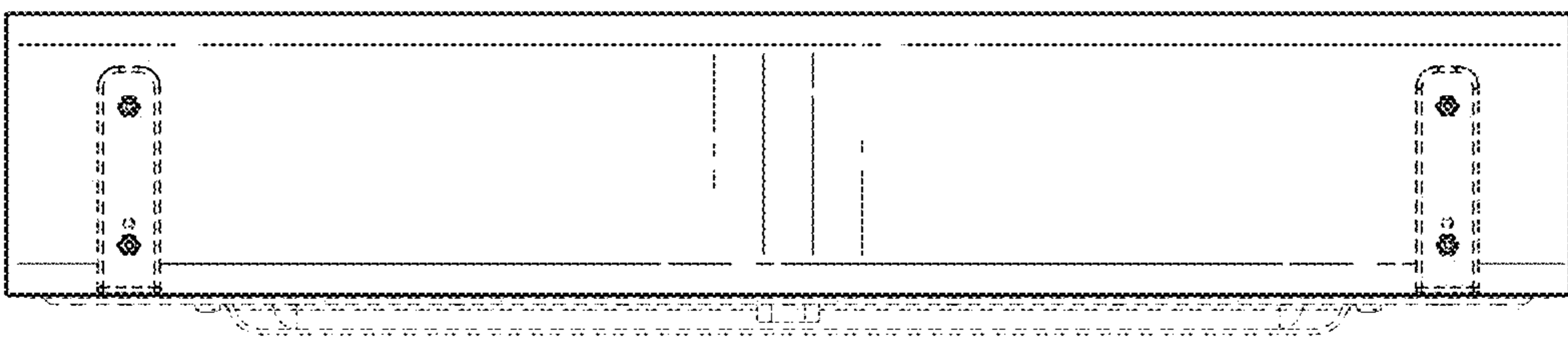


FIG. 8