



US00D884594S

(12) **United States Design Patent**
Kanenari

(10) **Patent No.:** **US D884,594 S**

(45) **Date of Patent:** **** May 19, 2020**

(54) **PNEUMATIC SENSOR FOR AUTOMOBILE TIRE**

(71) Applicant: **THE YOKOHAMA RUBBER CO., LTD.**, Minato-ku, Tokyo (JP)

(72) Inventor: **Daisuke Kanenari**, Hiratsuka (JP)

(73) Assignee: **THE YOKOHAMA RUBBER CO., LTD.**, Minato-ku, Tokyo (JP)

(**) Term: **15 Years**

(21) Appl. No.: **29/661,295**

(22) Filed: **Aug. 27, 2018**

(30) **Foreign Application Priority Data**

Feb. 28, 2018 (JP) 2018-004239

(51) **LOC (12) Cl.** **12-15**

(52) **U.S. Cl.**
USPC **D12/604**

(58) **Field of Classification Search**
USPC D12/604, 608, 400; D10/86, 46, 56, 101,
D10/85, 83; D11/200-201; D30/152
(Continued)

(56) **References Cited**

U.S. PATENT DOCUMENTS

D317,730 S * 6/1991 Mo 224/183
D347,585 S * 6/1994 Platko D10/56
(Continued)

FOREIGN PATENT DOCUMENTS

JP 2004-314924 A 11/2004
JP D1449534 S 8/2012
JP D1476723 8/2013

OTHER PUBLICATIONS

Nov. 20, 2018—(JP) Notification of Reasons for Refusal—App
2018-004238—Eng Tran.

Primary Examiner — Michelle E. Wilson

Assistant Examiner — Clese Moore, Jr.

(74) *Attorney, Agent, or Firm* — Banner & Witcoff, Ltd.

(57) **CLAIM**

The ornamental design for a pneumatic sensor for an automobile tire, as shown and described.

DESCRIPTION

FIG. 1 is a front perspective view of a pneumatic sensor for automobile tire showing a front face, top face, and right side face of the pneumatic sensor;

FIG. 2 is a rear perspective view of the pneumatic sensor showing a rear face, the top face, and a left side face of the pneumatic sensor;

FIG. 3 is a front view of the pneumatic sensor;

FIG. 4 is a rear view of the pneumatic sensor;

FIG. 5 is a left side view of the pneumatic sensor;

FIG. 6 is a right side view of the pneumatic sensor;

FIG. 7 is a top view of the pneumatic sensor;

FIG. 8 is a bottom view of the pneumatic sensor;

FIG. 9 is a sectional view taken along line 9-9 shown in FIG. 3, where equipment installed inside the pneumatic sensor are omitted from the drawing;

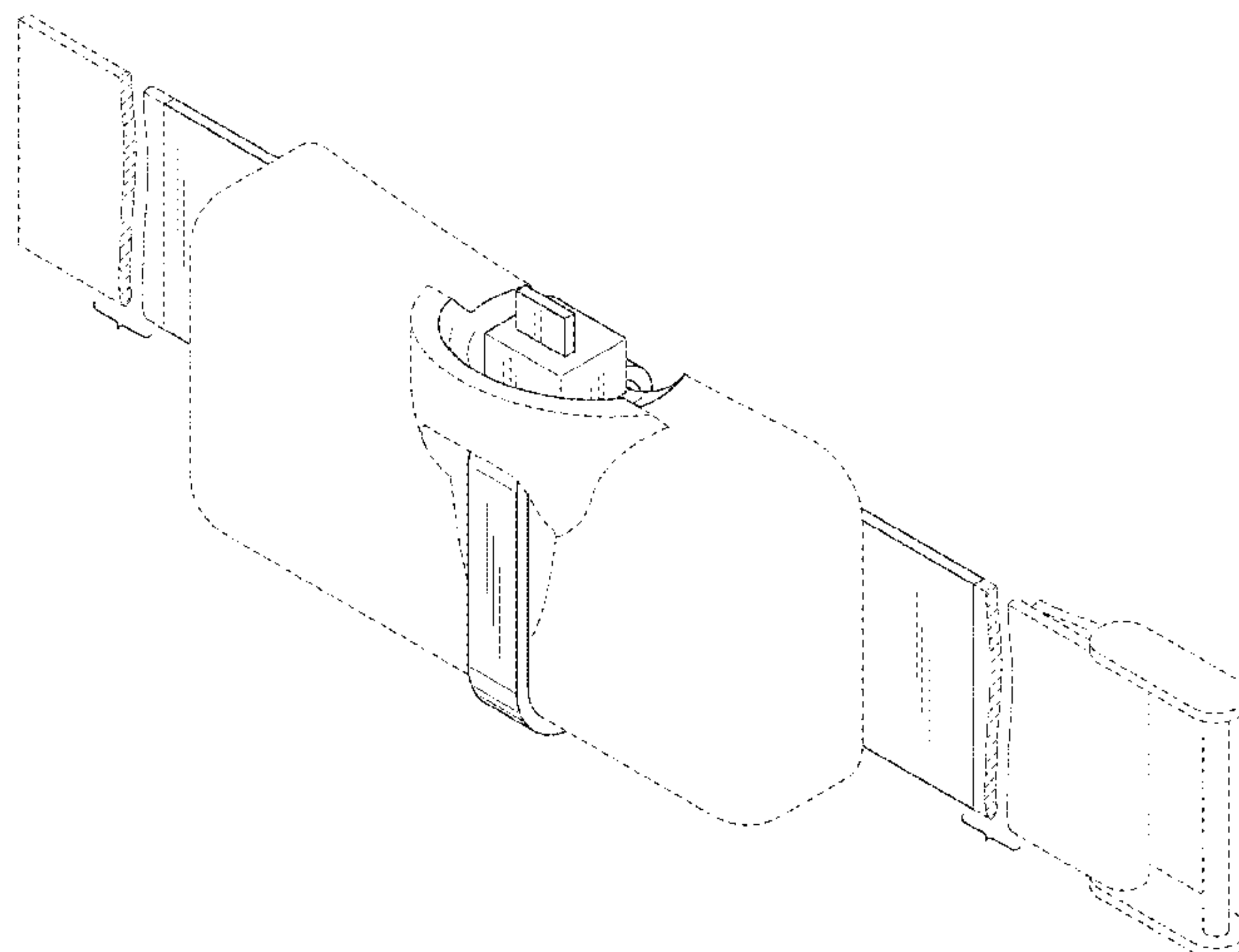
FIG. 10 is a sectional view taken along line 10-10 shown in FIG. 3, where equipment installed inside the pneumatic sensor are omitted from the drawing; and,

FIG. 11 is a sectional view taken along line 11-11 shown in FIG. 3.

In the drawings, the broken lines depict environmental subject matter only and form no part of the claimed design. The two-dot and dashed lines represents a boundary between the claimed portion and the non-claimed portion.

The article is shown with a symbolic break by a pair of dot and dashed lines in the drawings, which indicates that the precise length of the article is not claimed. The appearance of any portion of the article between the symbolic break forms no part of the claimed design.

1 Claim, 11 Drawing Sheets



(58) **Field of Classification Search**

CPC G01L 17/00; G01L 17/005; B60C 23/04;
 B60C 23/0408; B60C 25/00

See application file for complete search history.

(56) **References Cited**

U.S. PATENT DOCUMENTS

D396,438	S	*	7/1998	Ellsworth	D12/400
D470,793	S	*	2/2003	Horn	D11/200
D564,406	S	*	3/2008	Chandler	D11/200
D593,448	S	*	6/2009	Smith	D11/200
D606,435	S	*	12/2009	Zheng	D10/86
D664,890	S	*	8/2012	Featherston	D11/201
D689,014	S	*	9/2013	Cox	D12/608
D695,470	S	*	12/2013	Reed	D30/153
D704,132	S	*	5/2014	Curry	D12/607
D706,150	S	*	6/2014	Kanenari	D10/86
D706,656	S	*	6/2014	Kanenari	D10/86
D725,523	S	*	3/2015	Dorman	D10/86
D733,527	S	*	7/2015	Tatina	D8/354
D786,032	S	*	5/2017	Fidrych	D8/34
D797,333	S	*	9/2017	Efferen	D26/38
D801,836	S	*	11/2017	Surendra	D10/86
D813,493	S	*	3/2018	Linsell	D2/637
D827,988	S	*	9/2018	Jordan	D2/859
2004/0154717	A1	*	8/2004	Gray	B60C 11/16 152/213 R
2005/0242937	A1		11/2005	Yokoi et al.		
2010/0212117	A1	*	8/2010	Haase	B65D 63/1027 24/16 PB

* cited by examiner

FIG. 1

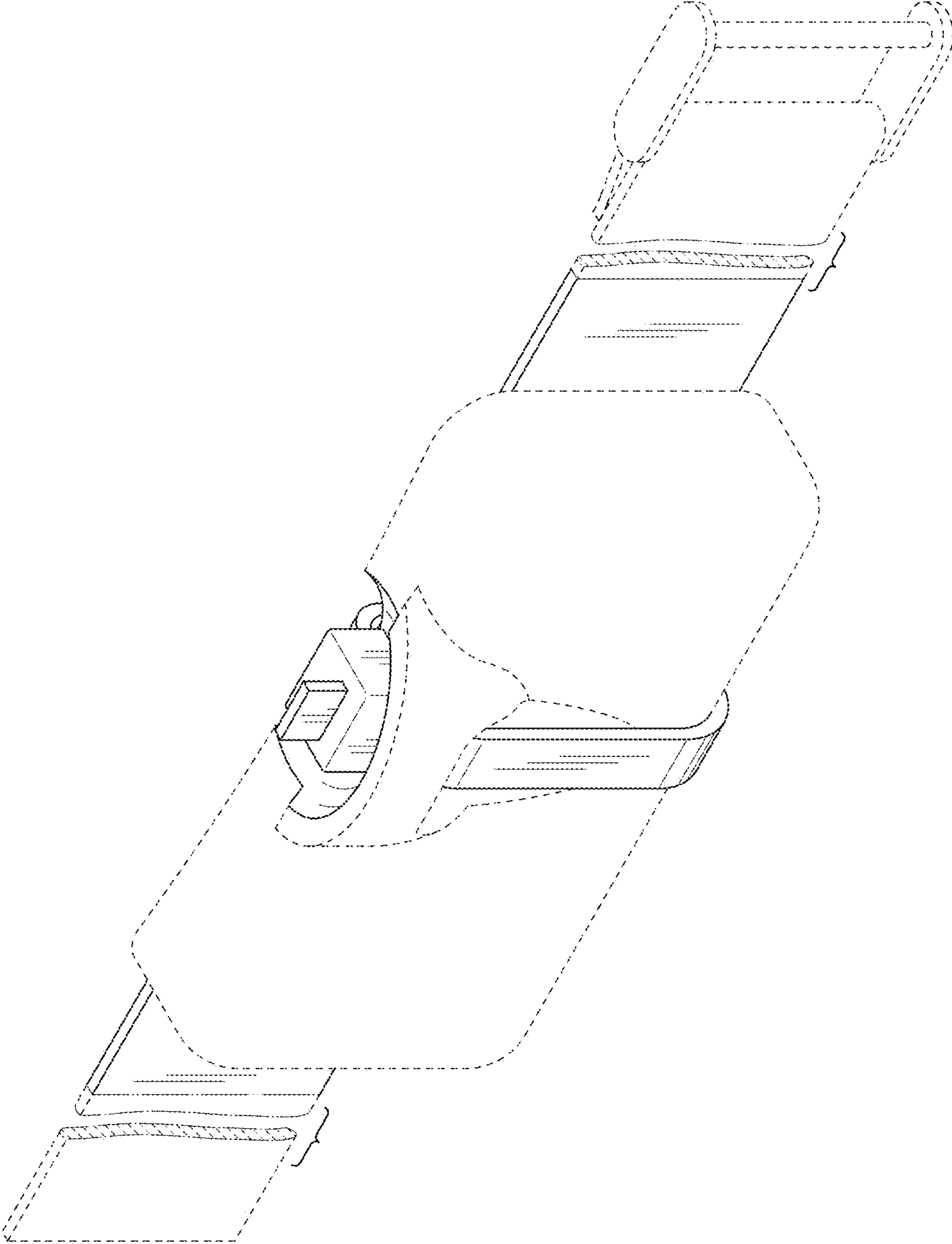


FIG. 2

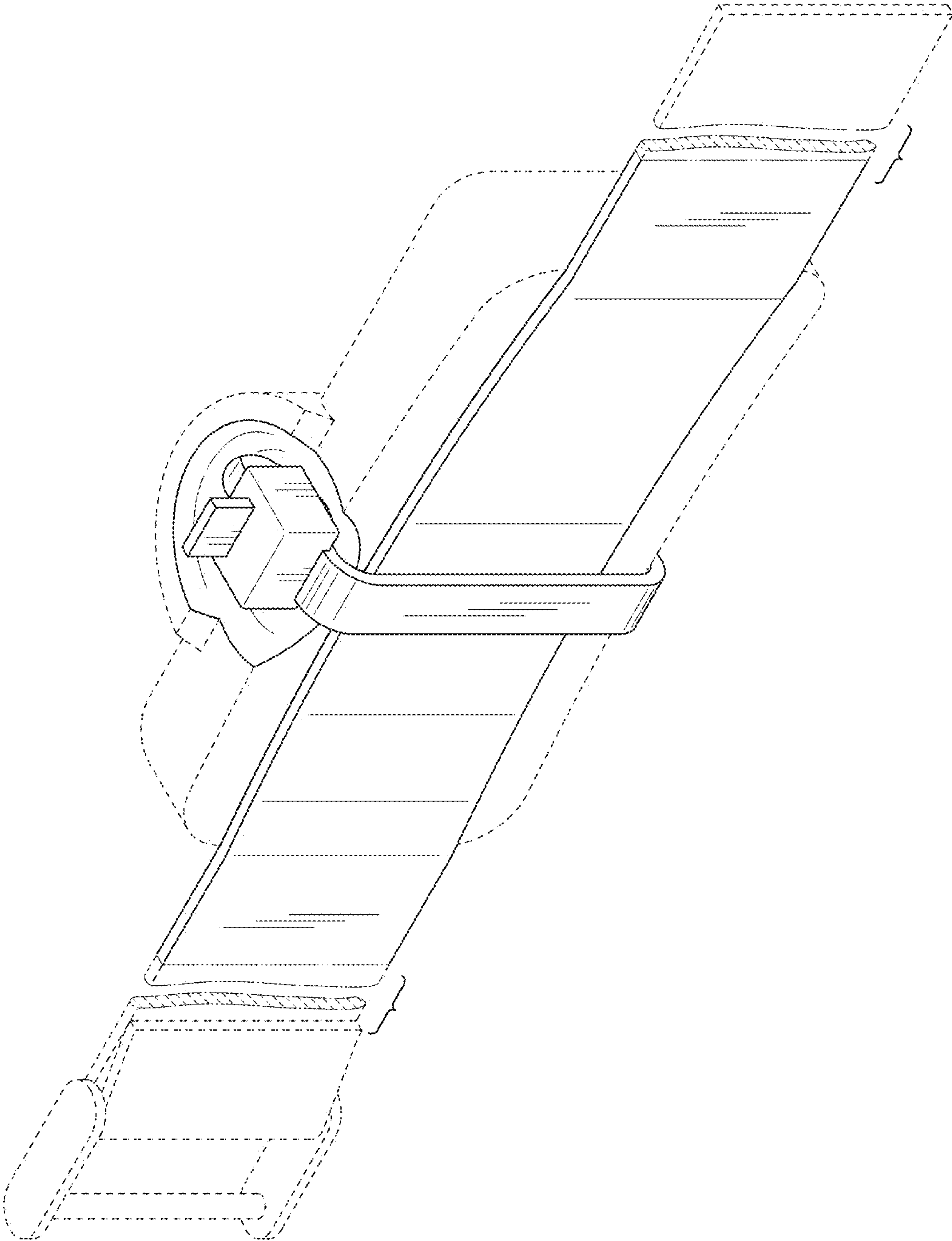


FIG. 3

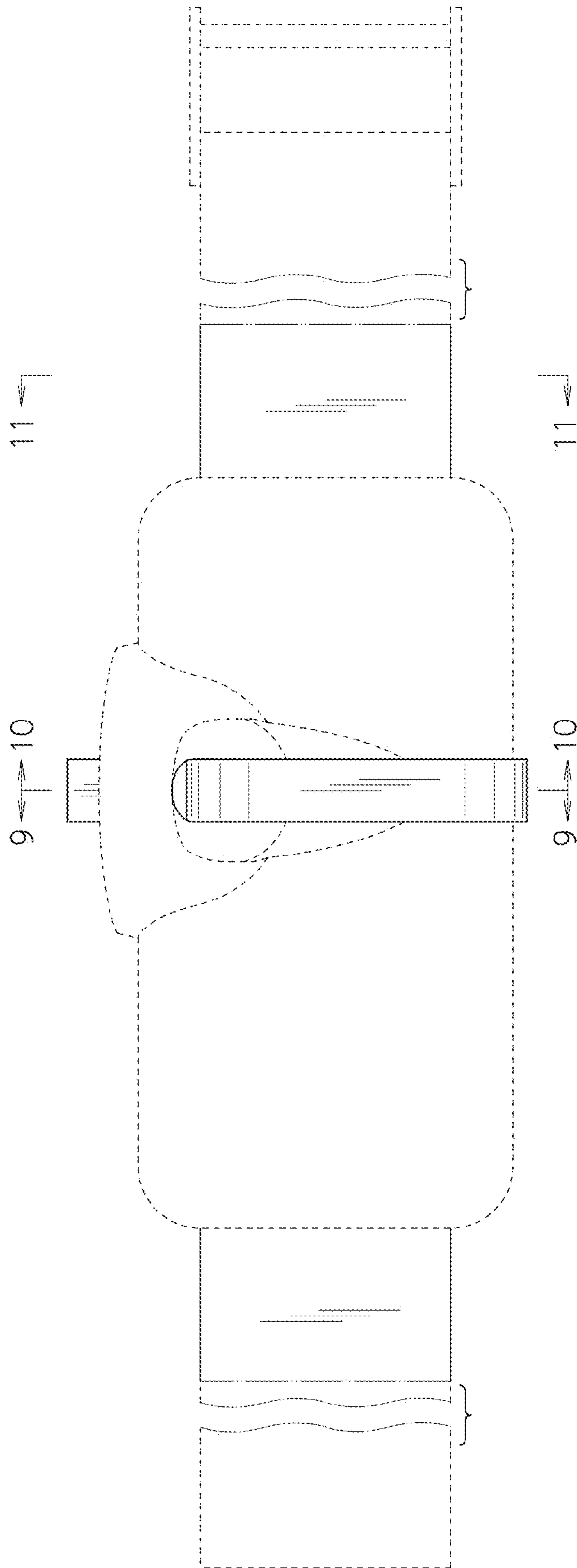


FIG. 4

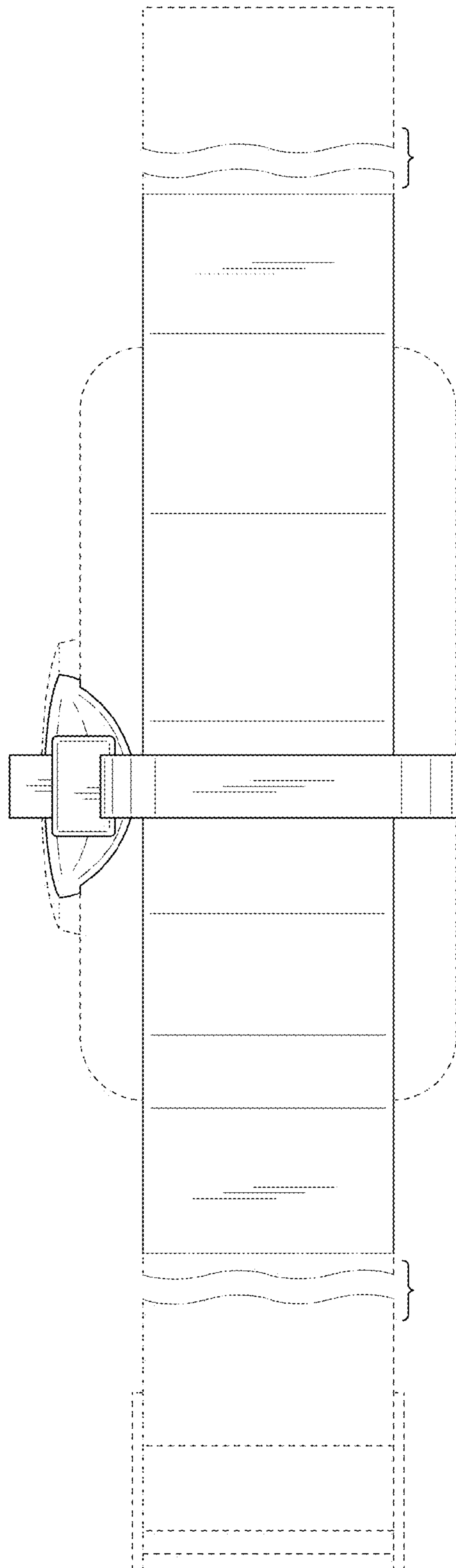


FIG. 5

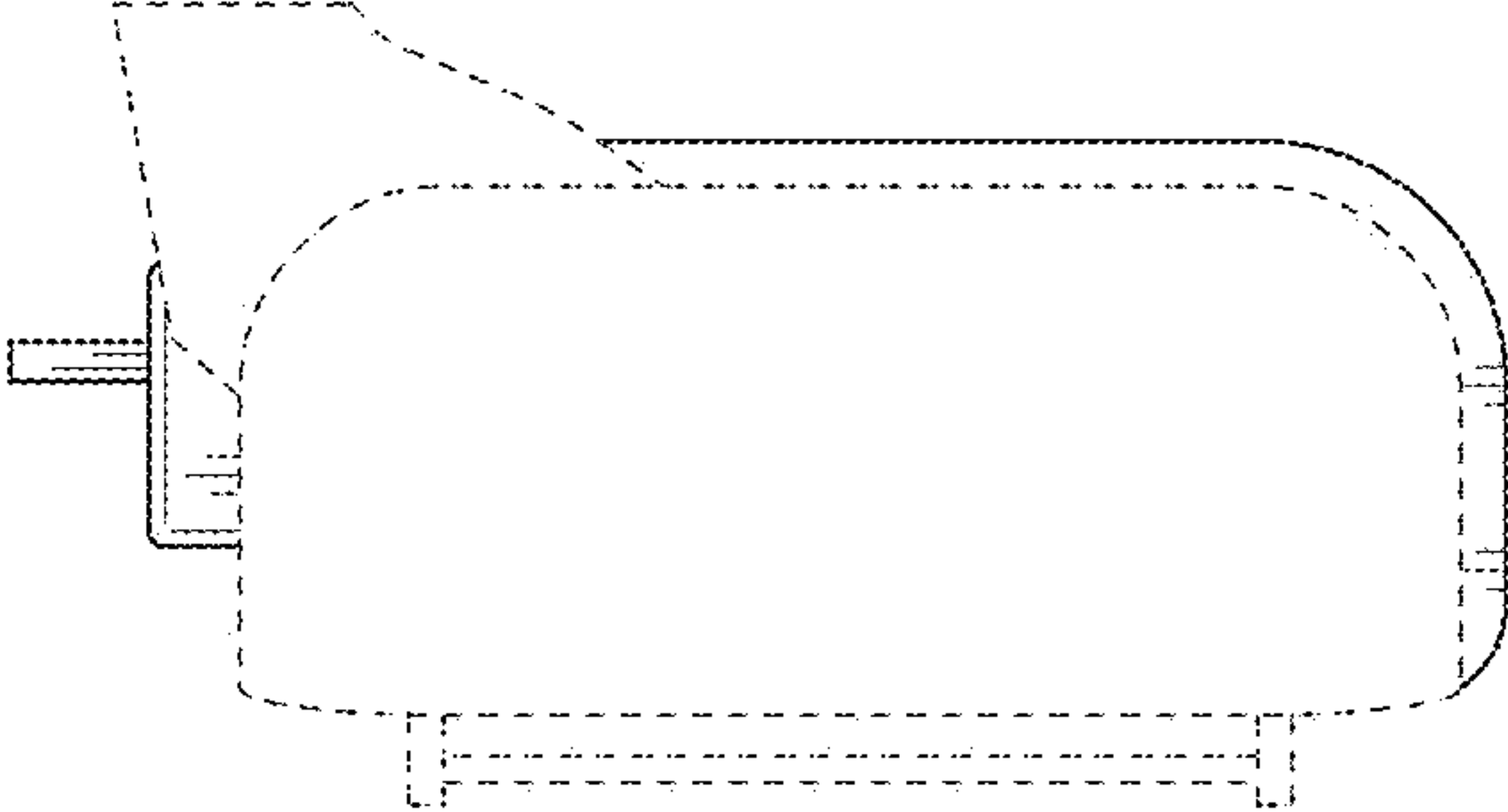


FIG. 6

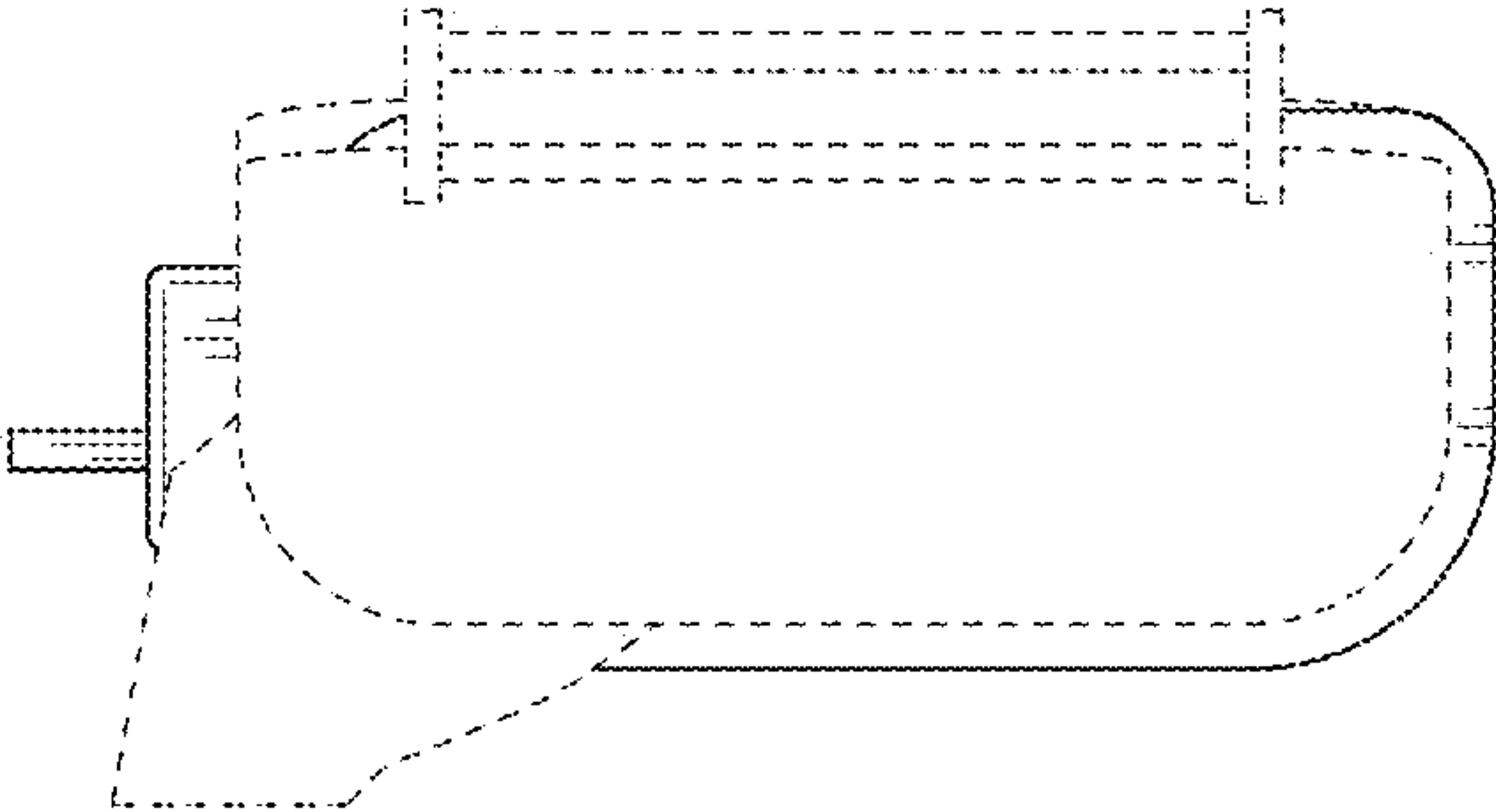


FIG. 7

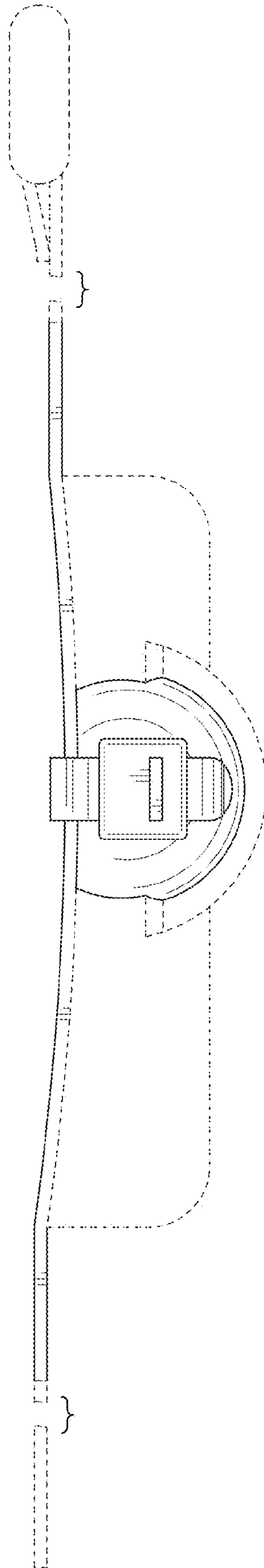


FIG. 8

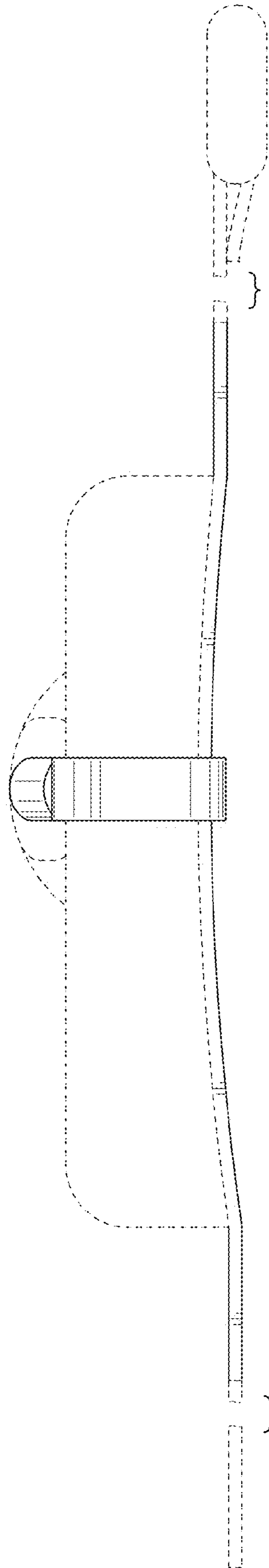


FIG. 9

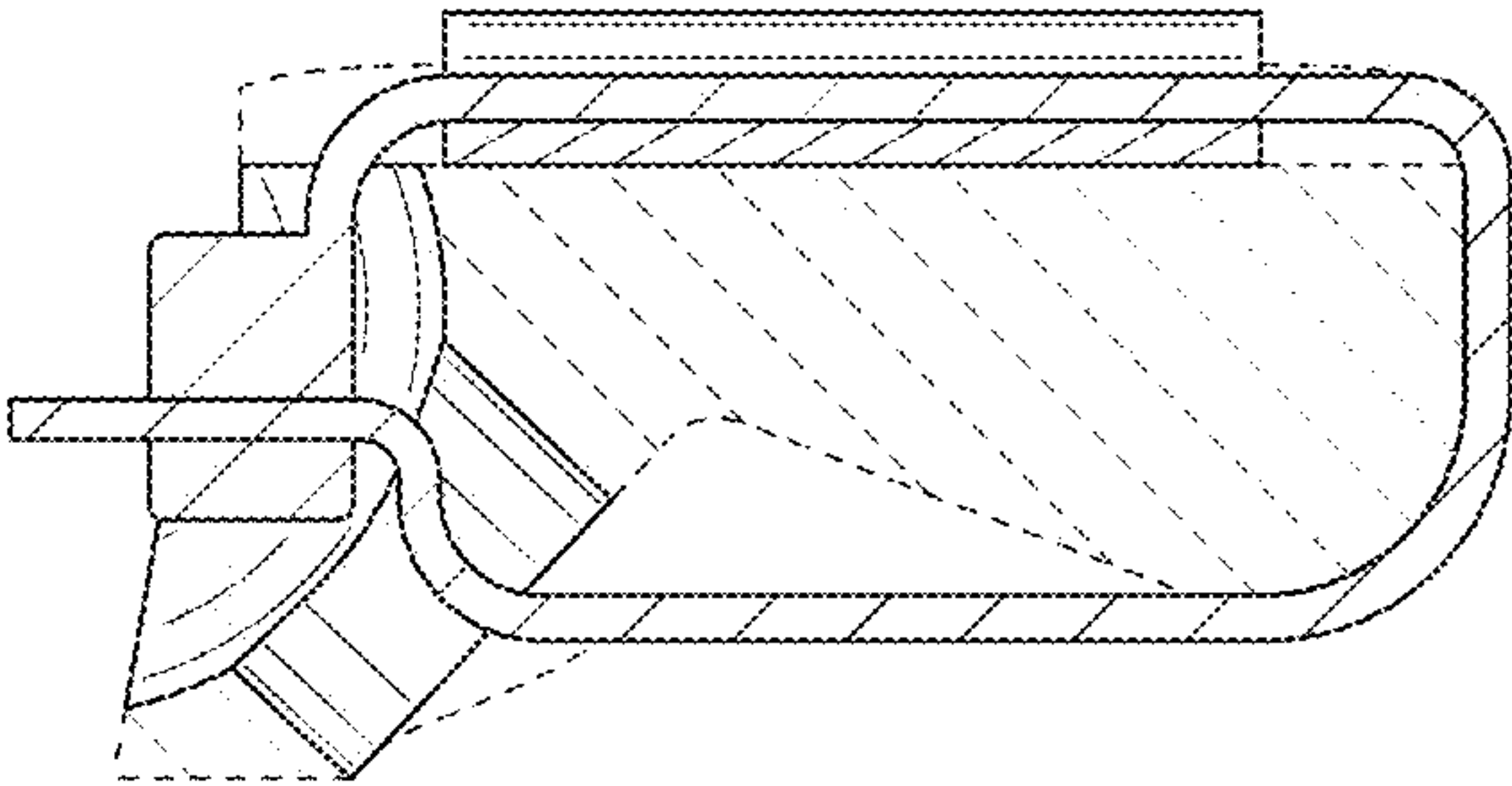


FIG. 10

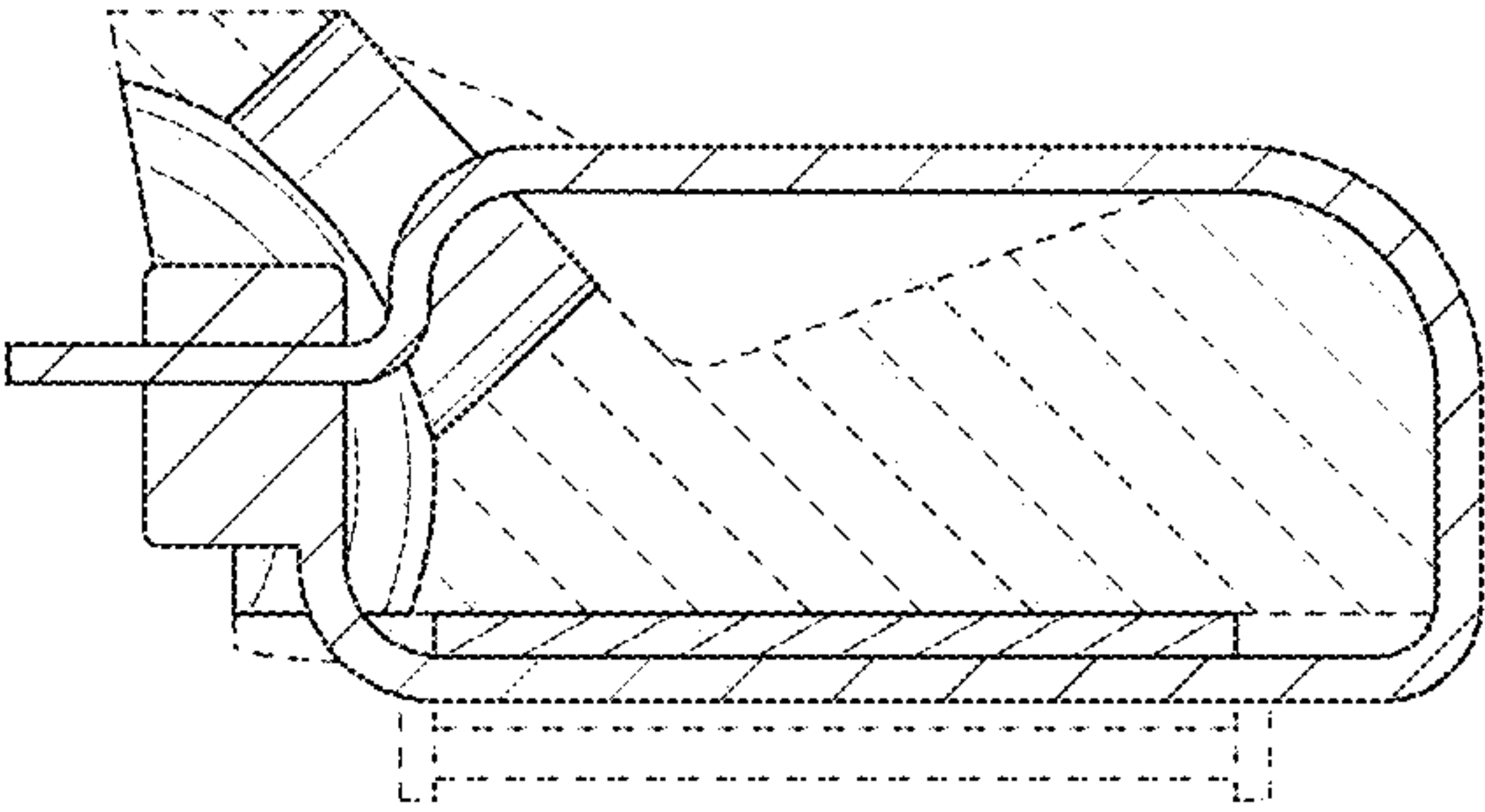


FIG. 11

