



US00D884593S

(12) **United States Design Patent**  
**Kanenari**

(10) **Patent No.:** **US D884,593 S**

(45) **Date of Patent:** **\*\* May 19, 2020**

(54) **PNEUMATIC SENSOR FOR AUTOMOBILE TIRE**

(71) Applicant: **THE YOKOHAMA RUBBER CO., LTD.**, Minato-ku, Tokyo (JP)

(72) Inventor: **Daisuke Kanenari**, Hiratsuka (JP)

(73) Assignee: **THE YOKOHAMA RUBBER CO., LTD.**, Minato-ku, Tokyo (JP)

(\*\*) Term: **15 Years**

(21) Appl. No.: **29/661,294**

(22) Filed: **Aug. 27, 2018**

(30) **Foreign Application Priority Data**

Feb. 28, 2018 (JP) ..... 2018-004238

(51) **LOC (12) Cl.** ..... **12-15**

(52) **U.S. Cl.**  
USPC ..... **D12/604**

(58) **Field of Classification Search**  
USPC .... D12/604, 608, 400; D10/86, 46, 56, 101,  
D10/85, 83; D11/200-201; D30/152  
(Continued)

(56) **References Cited**

**U.S. PATENT DOCUMENTS**

D317,730 S \* 6/1991 Mo ..... 224/183  
D347,585 S \* 6/1994 Platko ..... D10/56  
(Continued)

**FOREIGN PATENT DOCUMENTS**

JP 2004-314924 A 11/2004  
JP D1449534 S 8/2012  
JP D1476723 8/2013

**OTHER PUBLICATIONS**

Nov. 20, 2018—(JP) Notification of Reasons for Refusal—App  
2018-004238—Eng Tran.

*Primary Examiner* — Michelle E. Wilson

*Assistant Examiner* — Clese Moore, Jr.

(74) *Attorney, Agent, or Firm* — Banner & Witcoff, Ltd.

(57) **CLAIM**

The ornamental design for a pneumatic sensor for an automobile tire, as shown and described.

**DESCRIPTION**

FIG. 1 is a front perspective view of a pneumatic sensor for automobile tire showing a front face, top face, and right side face of the pneumatic sensor;

FIG. 2 is a rear perspective view of the pneumatic sensor showing a rear face, the top face, and a left side face of the pneumatic sensor;

FIG. 3 is a front view of the pneumatic sensor;

FIG. 4 is a rear view of the pneumatic sensor;

FIG. 5 is a left side view of the pneumatic sensor;

FIG. 6 is a right side view of the pneumatic sensor;

FIG. 7 is a top view of the pneumatic sensor;

FIG. 8 is a bottom view of the pneumatic sensor;

FIG. 9 is a sectional view taken along line 9-9 shown in FIG. 3, where equipment installed inside the pneumatic sensor are omitted from the drawing;

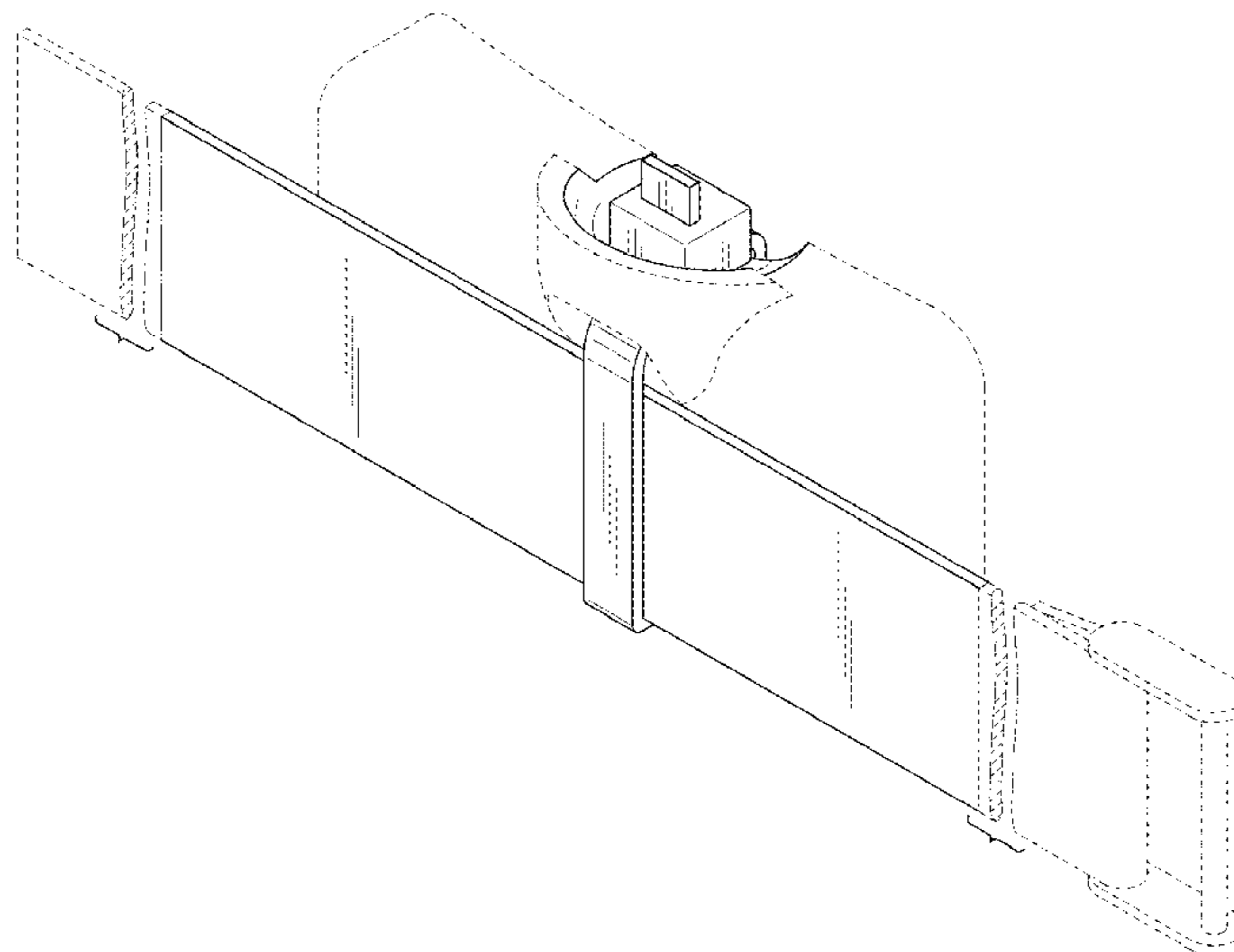
FIG. 10 is a sectional view taken along line 10-10 shown in FIG. 3, where equipment installed inside the pneumatic sensor are omitted from the drawing; and,

FIG. 11 is a sectional view taken along line 11-11 shown in FIG. 3.

In the drawings, the broken lines depict environmental subject matter only and form no part of the claimed design. The two-dot and dashed lines represents a boundary between the claimed portion and the non-claimed portion.

The article is shown with a symbolic break by a pair of dot and dashed lines in the drawings, which indicates that the precise length of the article is not claimed. The appearance of any portion of the article between the symbolic break forms no part of the claimed design.

**1 Claim, 11 Drawing Sheets**



(58) **Field of Classification Search**

CPC ..... G01L 17/00; G01L 17/005; B60C 23/04;  
B60C 23/0408; B60C 25/00

See application file for complete search history.

(56) **References Cited**

U.S. PATENT DOCUMENTS

D396,438 S \* 7/1998 Ellsworth ..... D12/400  
D470,793 S \* 2/2003 Horn ..... D11/200  
D564,406 S \* 3/2008 Chandler ..... D11/200  
D593,448 S \* 6/2009 Smith ..... D11/200  
D606,435 S \* 12/2009 Zheng ..... D10/86  
D664,890 S \* 8/2012 Featherston ..... D11/201  
D689,014 S \* 9/2013 Cox ..... D12/608  
D695,470 S \* 12/2013 Reed ..... D30/153  
D704,132 S \* 5/2014 Curry ..... D12/607  
D706,150 S \* 6/2014 Kanenari ..... D10/86  
D706,656 S \* 6/2014 Kanenari ..... D10/86  
D725,523 S \* 3/2015 Dorman ..... D10/86  
D733,527 S \* 7/2015 Tatina ..... D8/354  
D786,032 S \* 5/2017 Fidrych ..... D8/34  
D797,333 S \* 9/2017 Efferen ..... D26/38  
D801,836 S \* 11/2017 Surendra ..... D10/86  
D813,493 S \* 3/2018 Linsell ..... D2/637  
D827,988 S \* 9/2018 Jordan ..... D2/859  
2004/0154717 A1 \* 8/2004 Gray ..... B60C 11/16  
152/213 R  
2005/0242937 A1 11/2005 Yokoi et al.  
2010/0212117 A1 \* 8/2010 Haase ..... B65D 63/1027  
24/16 PB

\* cited by examiner

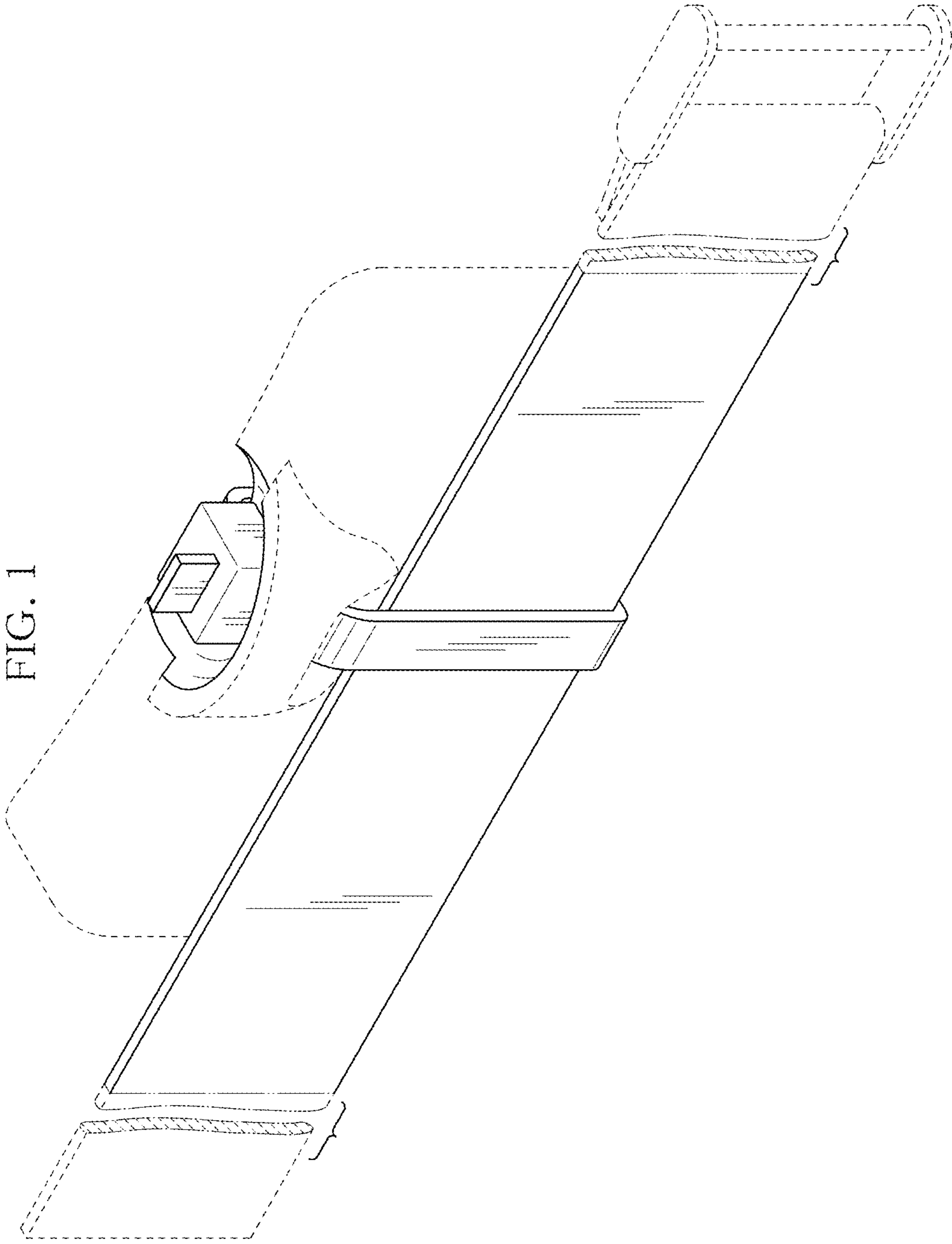


FIG. 2

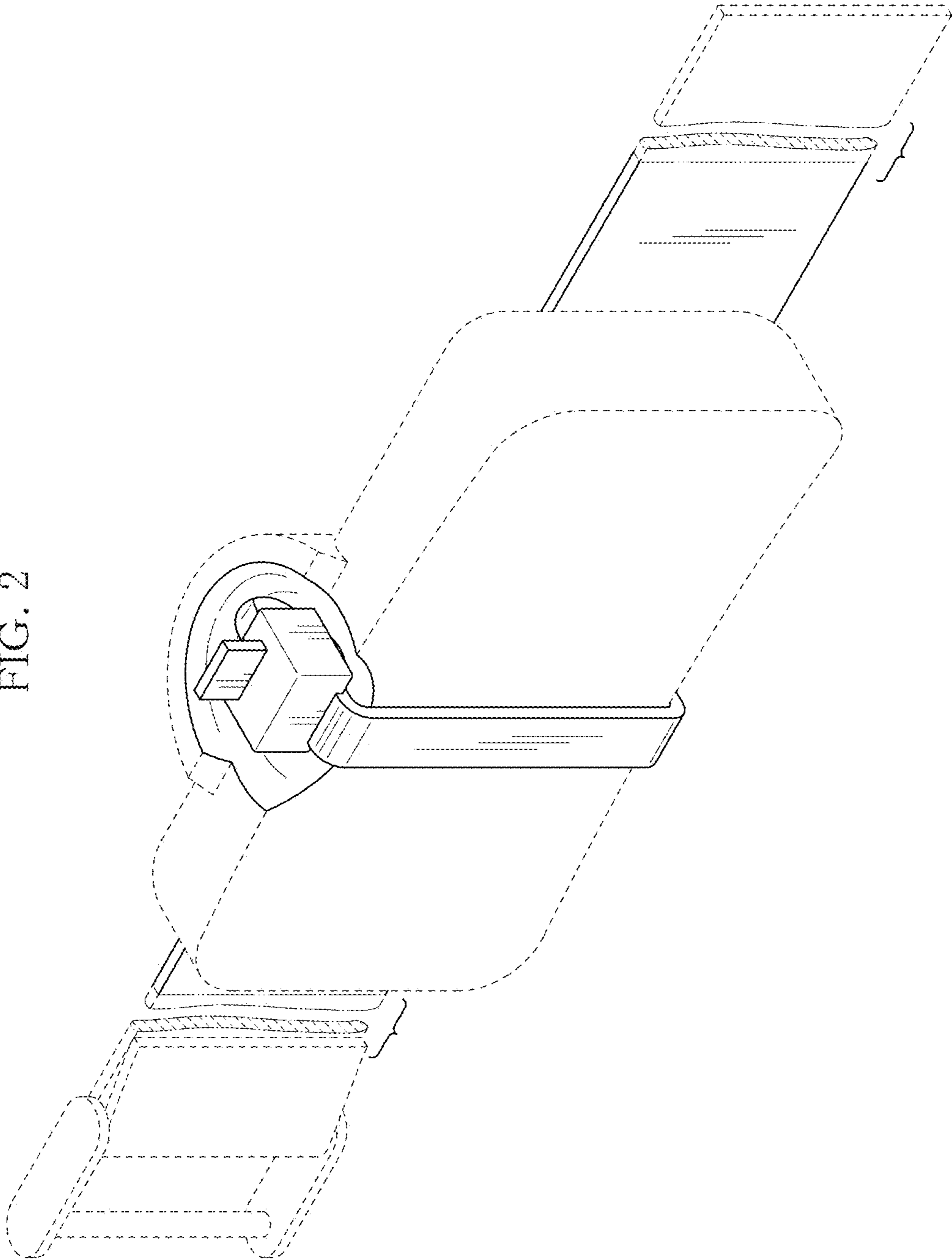


FIG. 3

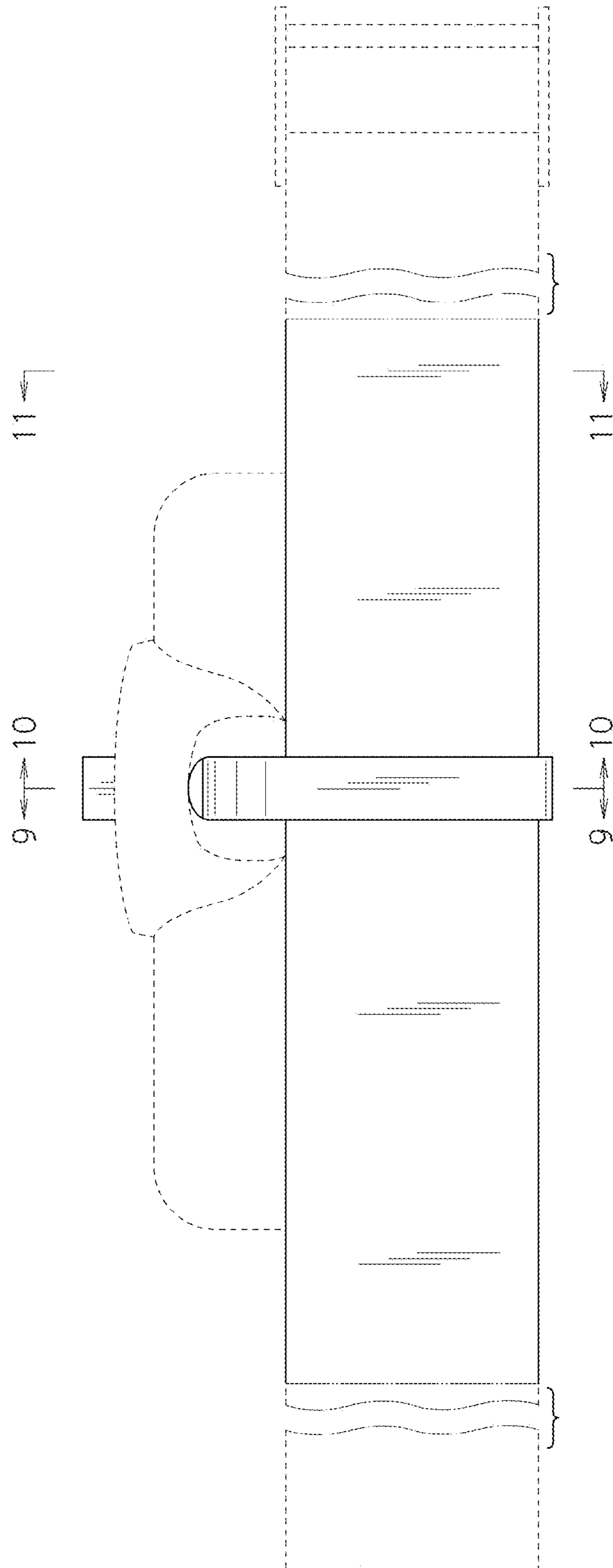


FIG. 4

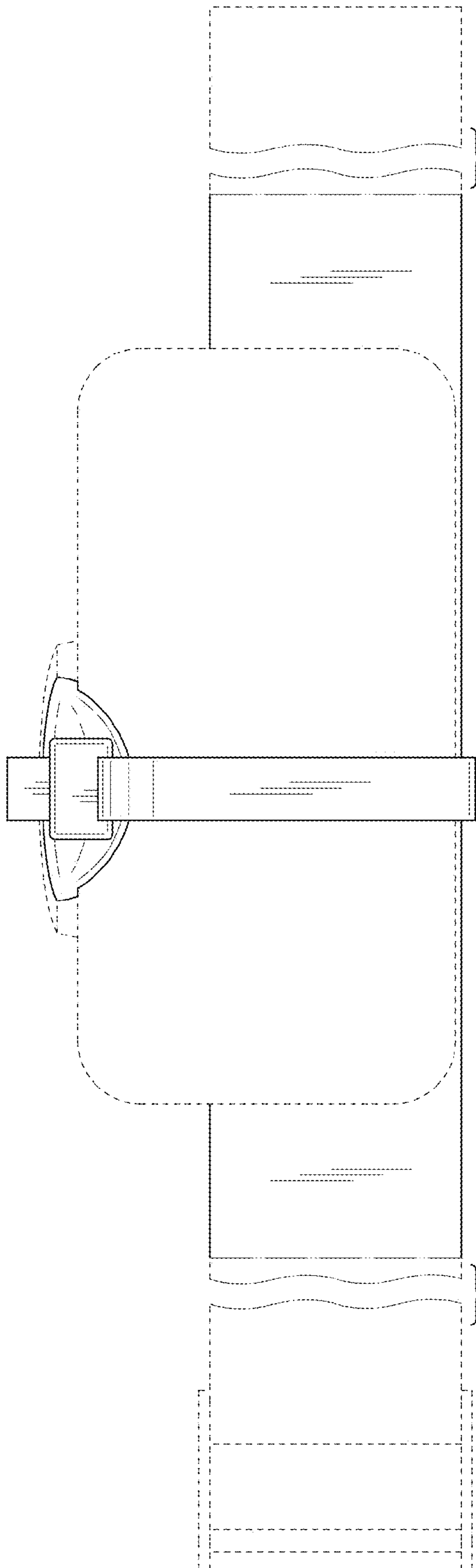


FIG. 5

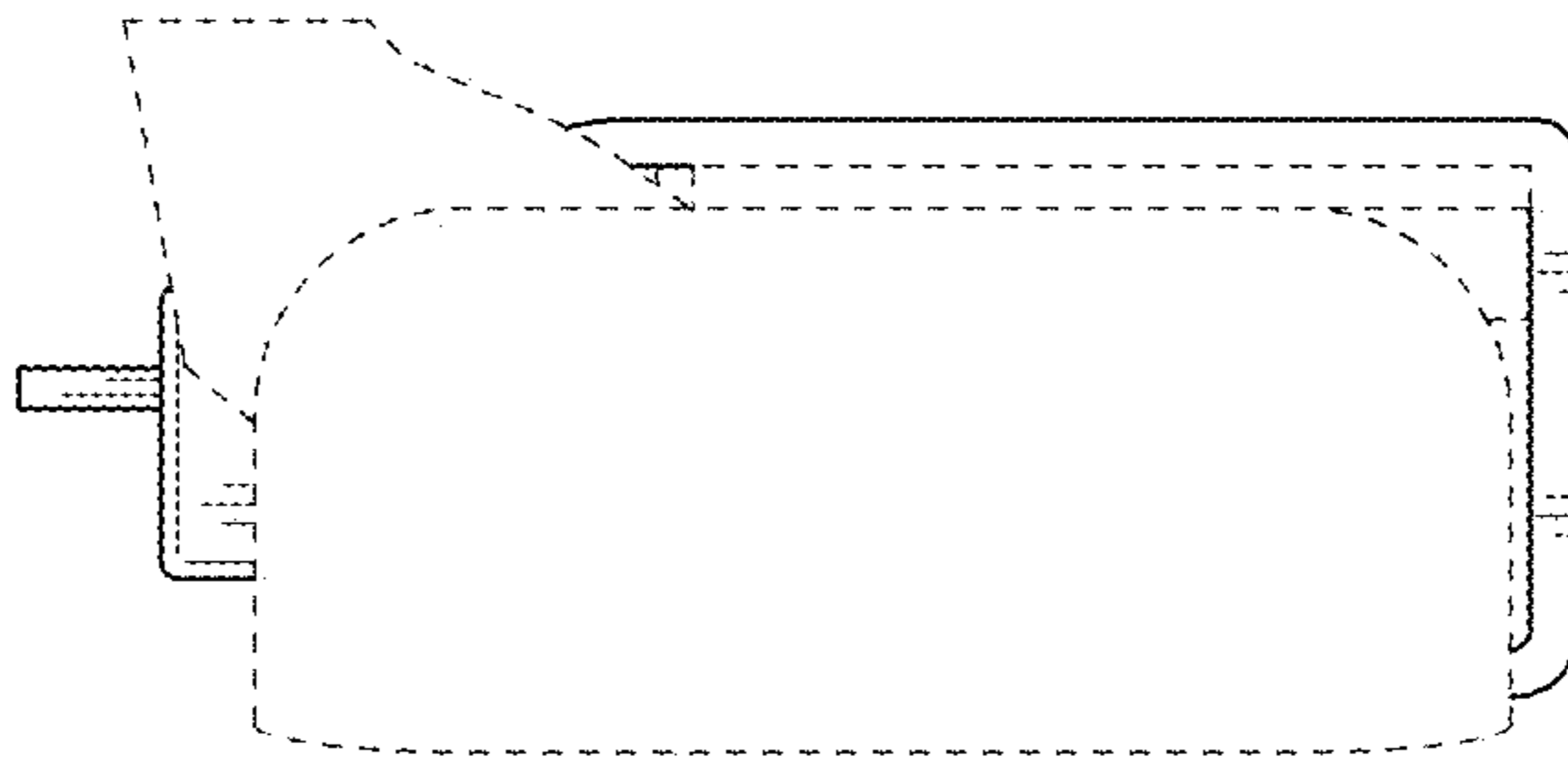


FIG. 6

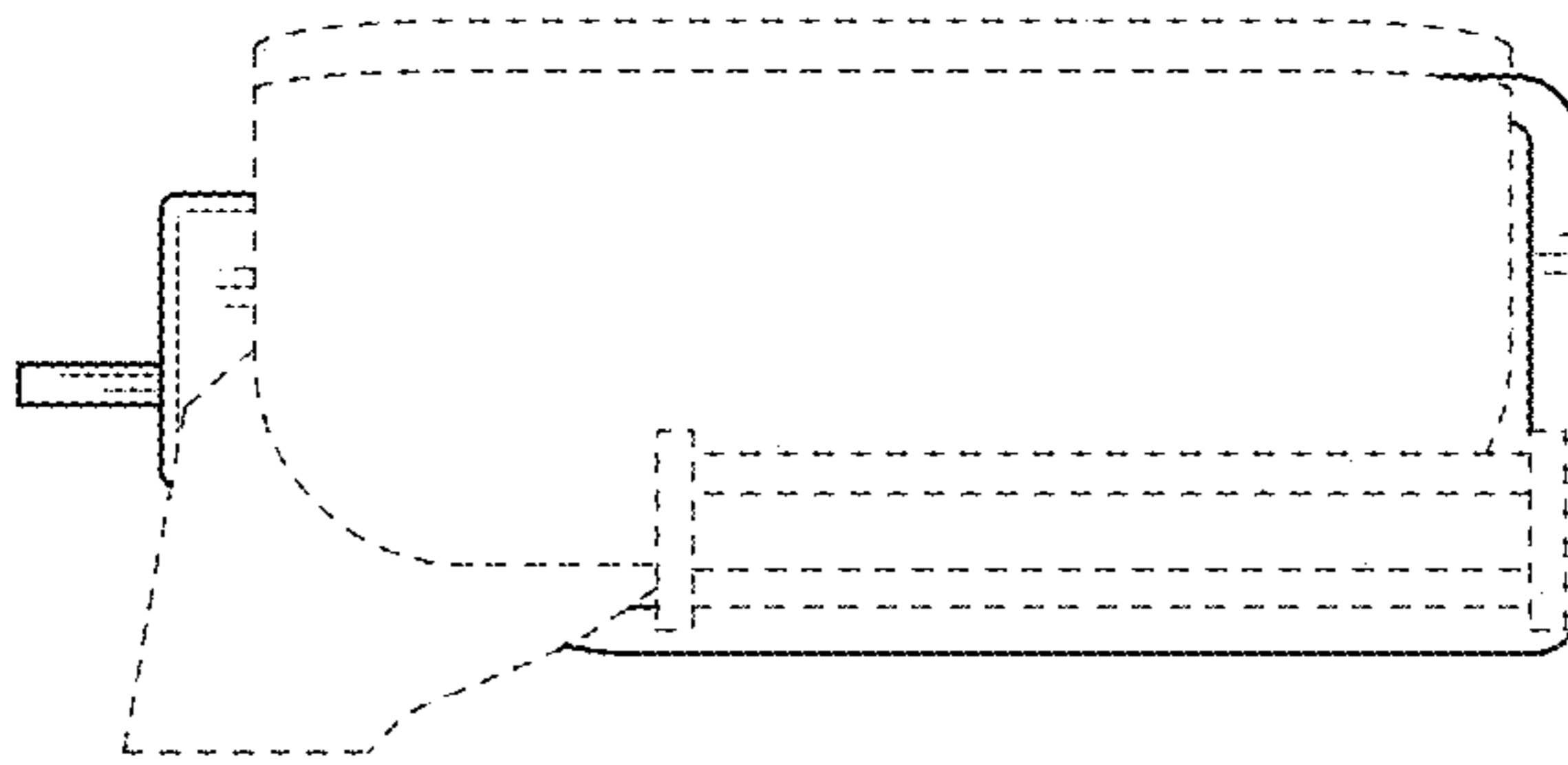




FIG. 7

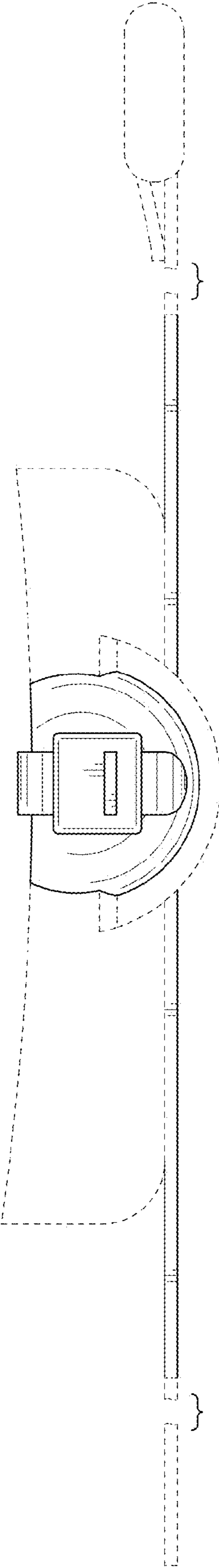


FIG. 8

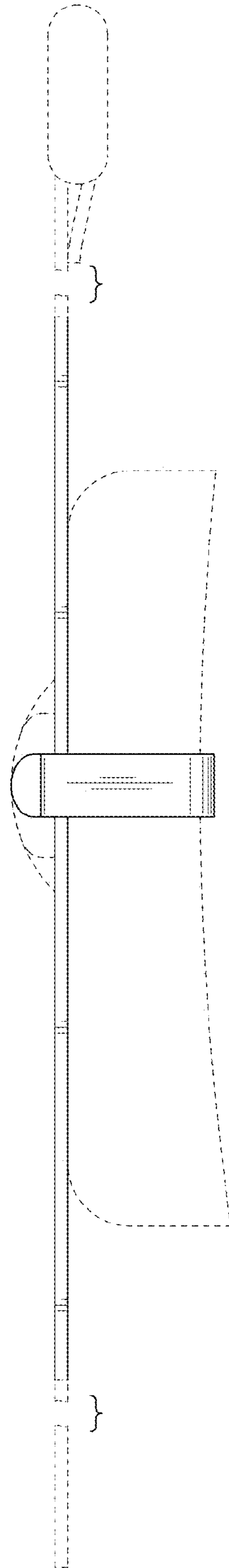


FIG. 9

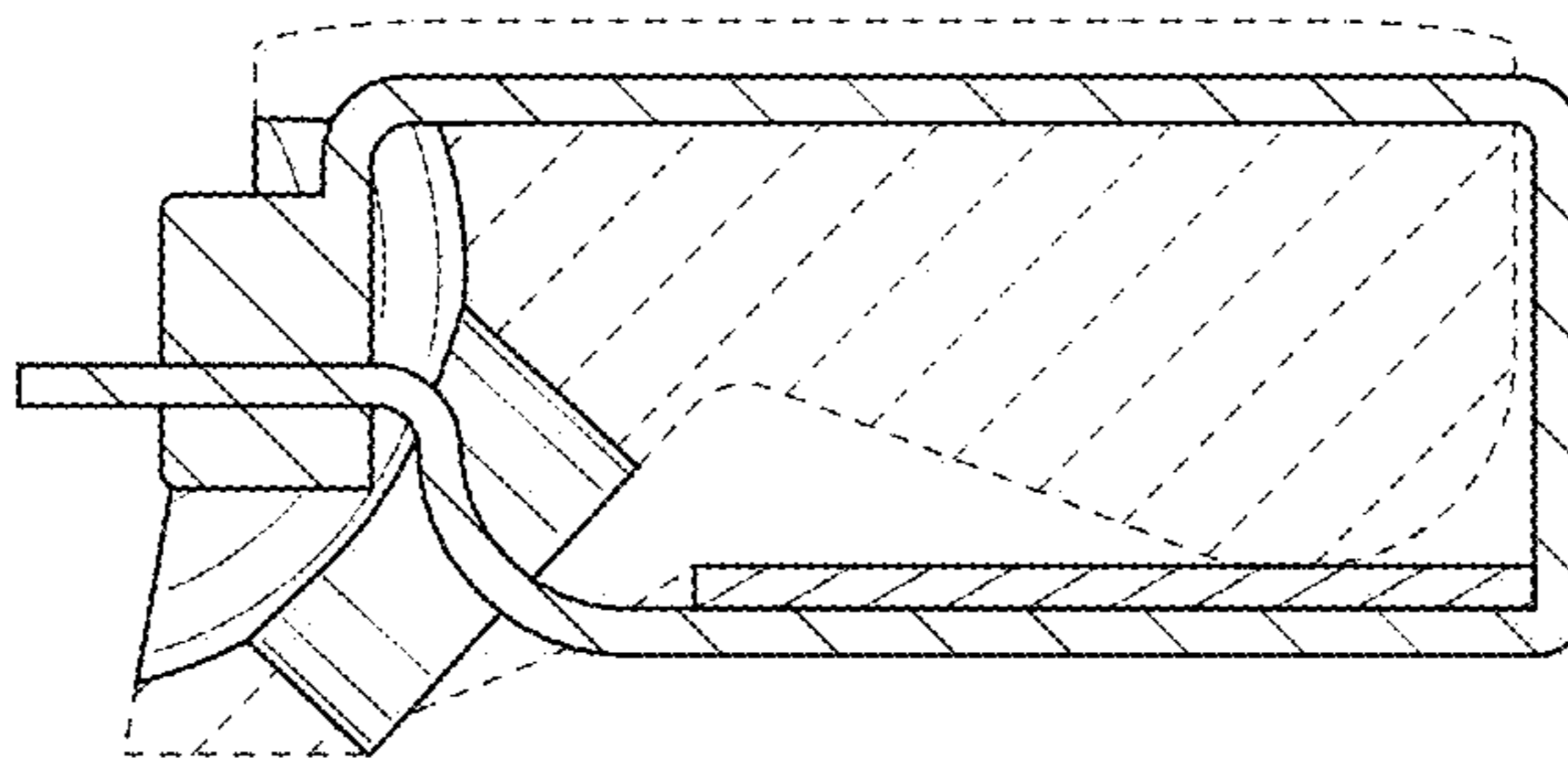


FIG. 10

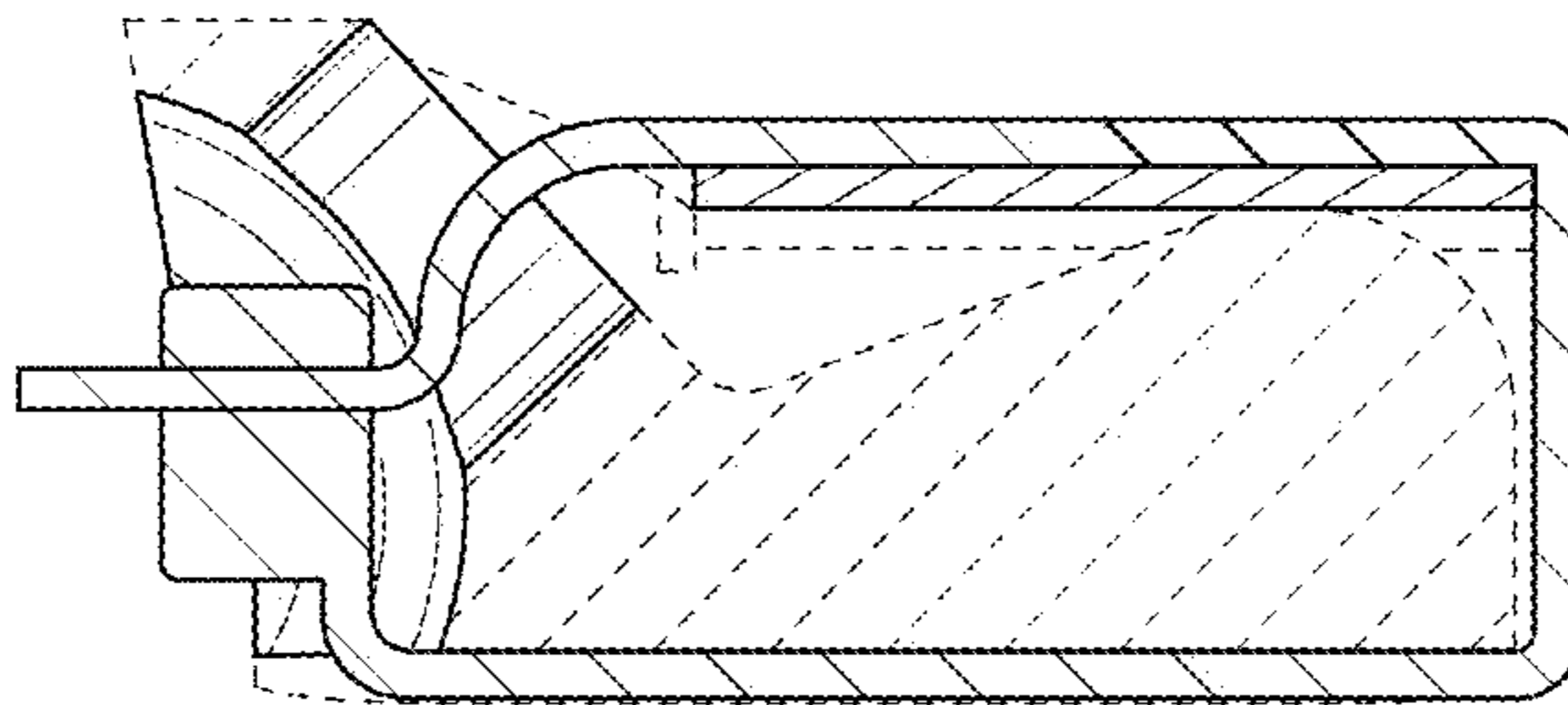


FIG. 11

