



US00D884588S

(12) **United States Design Patent**
Sato

(10) **Patent No.:** **US D884,588 S**

(45) **Date of Patent:** **** May 19, 2020**

(54) **TIRE**

(71) Applicant: **TOYO TIRE & RUBBER CO., LTD.**,
Itami, Hyogo (JP)

(72) Inventor: **Yoshiki Sato**, Itami (JP)

(73) Assignee: **Toyo Tire & Rubber Co., Ltd.**,
Itami-shi (JP)

(**) Term: **15 Years**

(21) Appl. No.: **29/673,839**

(22) Filed: **Dec. 18, 2018**

(30) **Foreign Application Priority Data**

Jun. 21, 2018 (JP) 2018-013705

Jun. 21, 2018 (JP) 2018-013707

(51) **LOC (12) Cl.** **12-15**

(52) **U.S. Cl.**
USPC **D12/579**

(58) **Field of Classification Search**
USPC D12/568, 574–604
(Continued)

(56) **References Cited**

U.S. PATENT DOCUMENTS

D713,328 S 9/2014 Umstot et al.
D744,413 S * 12/2015 Chen D12/579
(Continued)

FOREIGN PATENT DOCUMENTS

JP 1257251 S 12/2005

OTHER PUBLICATIONS

Falken Wildpeak A/T3W, Amazon.com, date first available Oct. 27, 2016, <<https://www.amazon.com/dp/B01M2A6DYC>>.

Primary Examiner — Brandon M Rosati

Assistant Examiner — John A Voytek

(74) *Attorney, Agent, or Firm* — Sterne, Kessler,
Goldstein & Fox P.L.L.C.

(57) **CLAIM**

The ornamental design for a tire, as shown and described.

DESCRIPTION

FIG. 1 is a front perspective view of a tire showing the claimed design;

FIG. 2 is a front view thereof;

FIG. 3 is a rear view thereof;

FIG. 4 is a top plan view thereof;

FIG. 5 is a bottom plan view thereof;

FIG. 6 is a right side view thereof;

FIG. 7 is a left side view thereof;

FIG. 8 is an enlarged view taken along line 8-8 in FIG. 1;

FIG. 9 is an enlarged view of the portion 9-9 in FIG. 2;

FIG. 10 is a cross-sectional view taken along line 10-10 in FIG. 9;

FIG. 11 is a front perspective view of another embodiment of a tire showing the claimed design;

FIG. 12 is a front view thereof;

FIG. 13 is a rear view thereof;

FIG. 14 is a top plan view thereof;

FIG. 15 is a bottom plan view thereof;

FIG. 16 is a right side view thereof;

FIG. 17 is a left side view thereof;

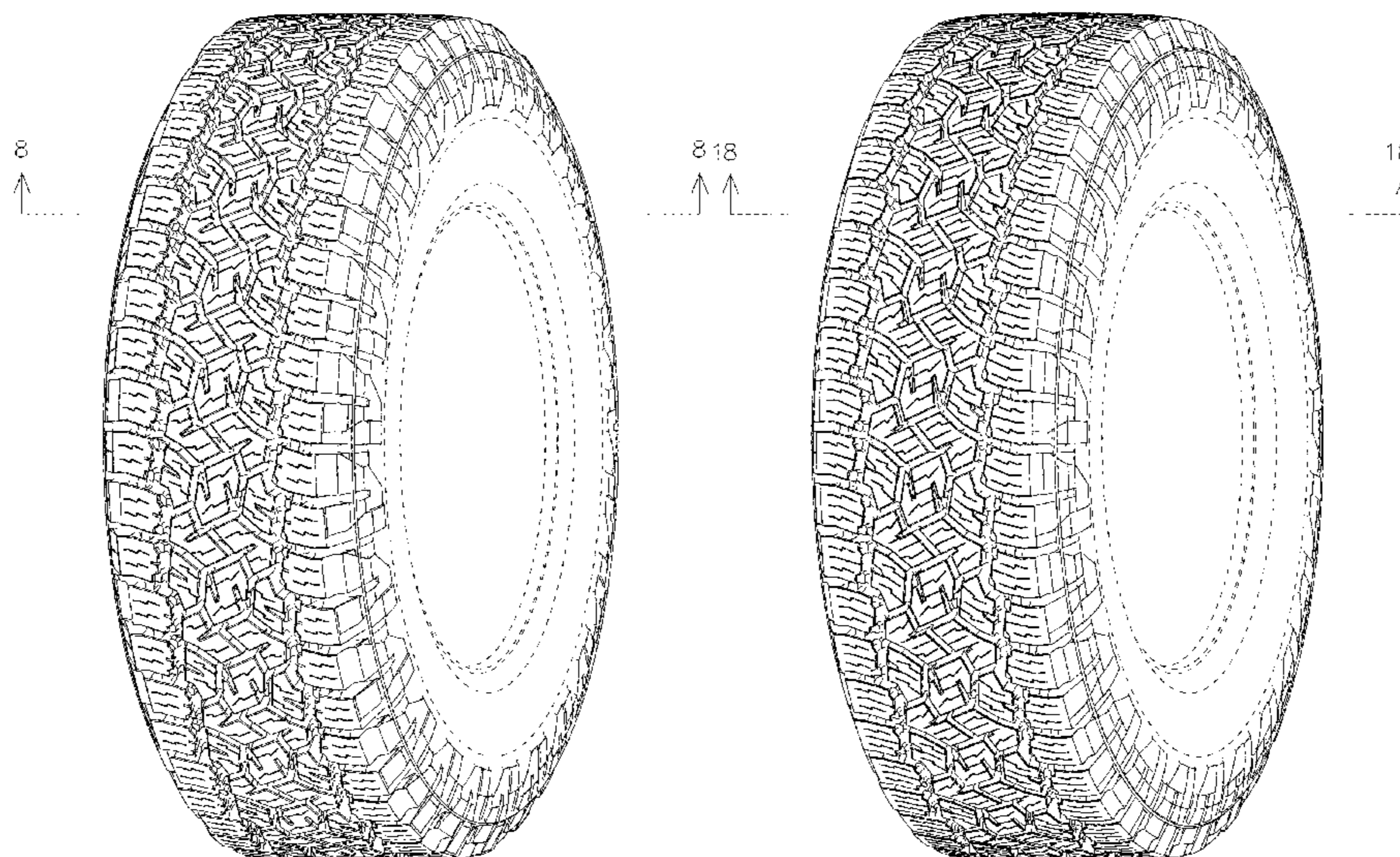
FIG. 18 is an enlarged view taken along line 18-18 in FIG. 11;

FIG. 19 is an enlarged view of the portion 19-19 in FIG. 12; and,

FIG. 20 is a cross-sectional view taken along line 20-20 in FIG. 19.

In the drawings, the broken lines show portions of the tire that form no part of the claimed design. The outermost broken lines of the sidewall form the boundary of the claim and form no part thereof

1 Claim, 20 Drawing Sheets



(58) **Field of Classification Search**

CPC Y10T 152/10027; B60C 1/0016; B60C
11/0306; B60C 11/0302; B60C 3/06;
B60C 9/17

See application file for complete search history.

(56) **References Cited**

U.S. PATENT DOCUMENTS

D763,781	S	*	8/2016	Ashton	D12/579
D780,674	S	*	3/2017	Chen	D12/579
D797,037	S	*	9/2017	Lo	D12/579
D802,523	S	*	11/2017	Uphouse	D12/579
D806,006	S	*	12/2017	Ronan	D12/579
D818,424	S	*	5/2018	Podlovits	D12/579
D832,197	S	*	10/2018	Guo	D12/579
D838,660	S	*	1/2019	Hiser	D12/579
D838,662	S	*	1/2019	Tikka	D12/579
D844,546	S	*	4/2019	Sakamoto	D12/579
D844,547	S	*	4/2019	Sakamoto	D12/579
D859,297	S	*	9/2019	Liu	D12/579

* cited by examiner

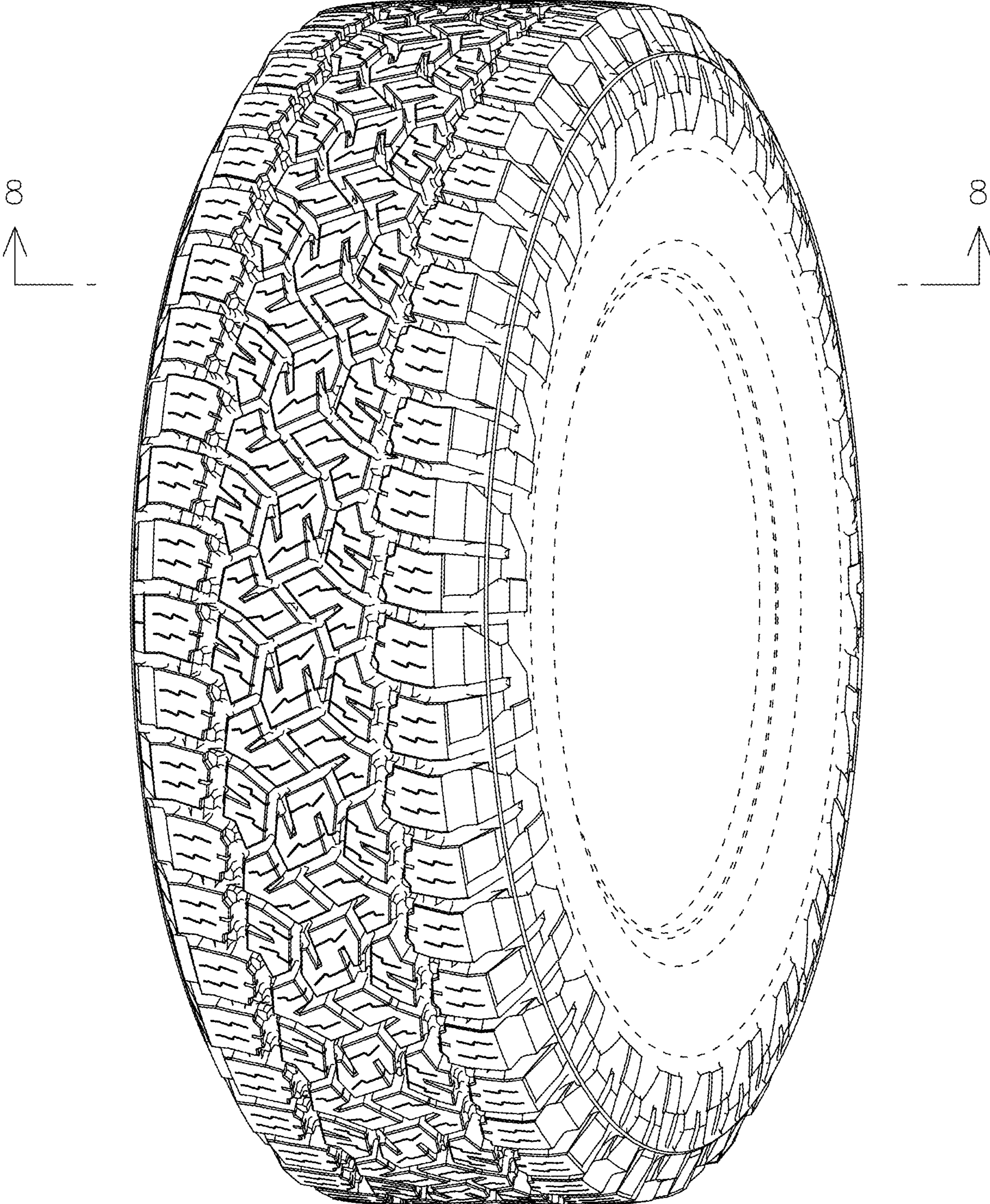


FIG. 1

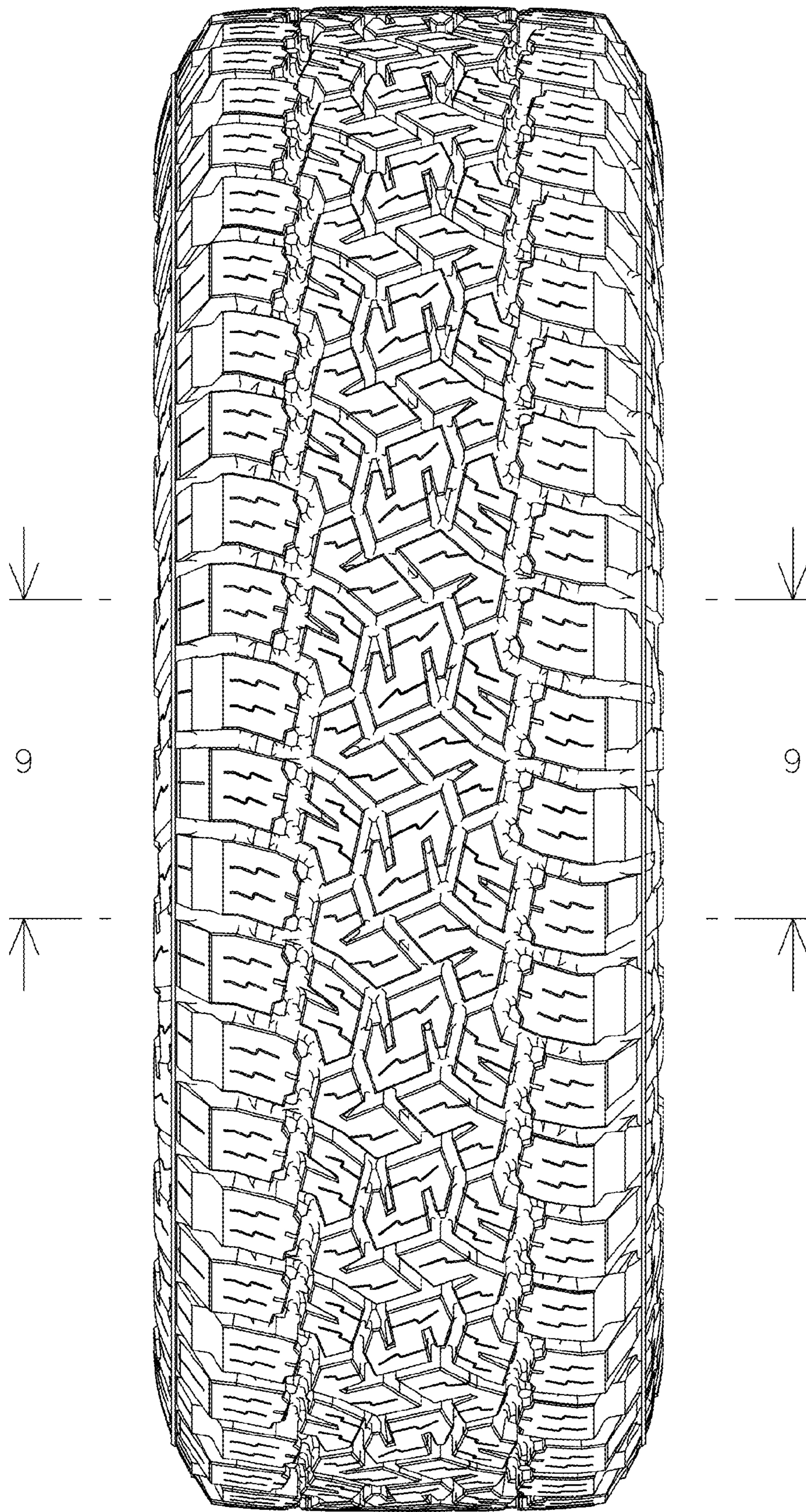


FIG. 2

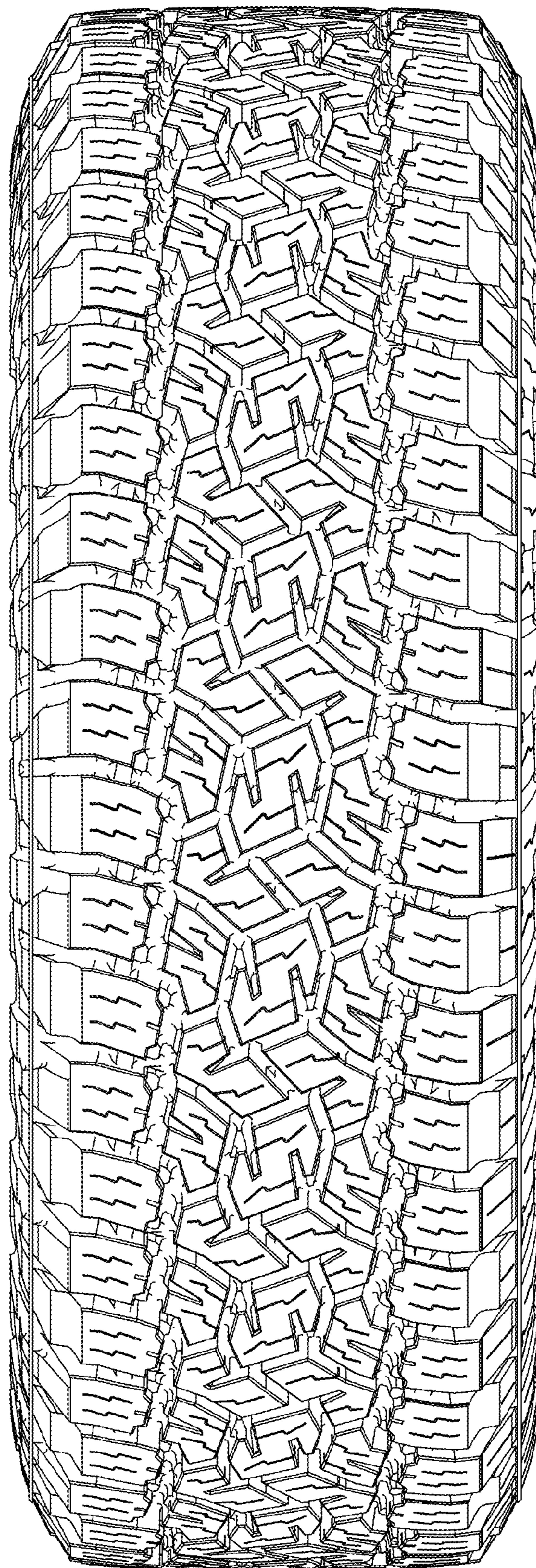


FIG. 3

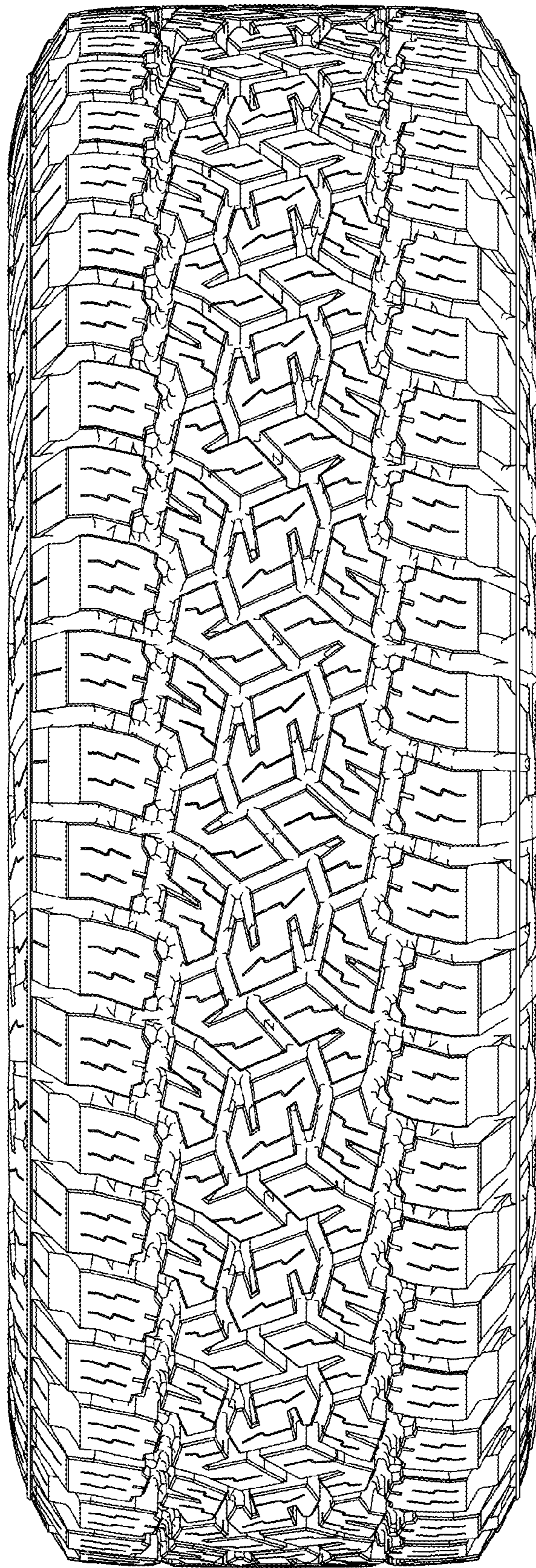


FIG. 4

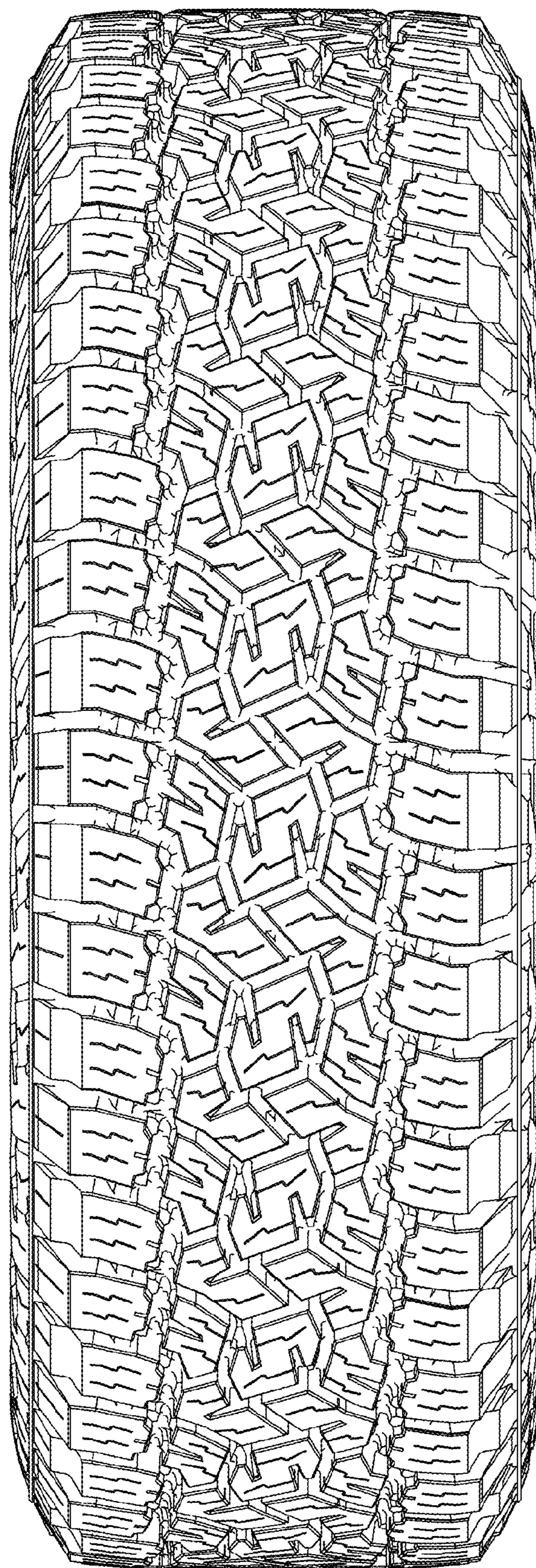


FIG. 5

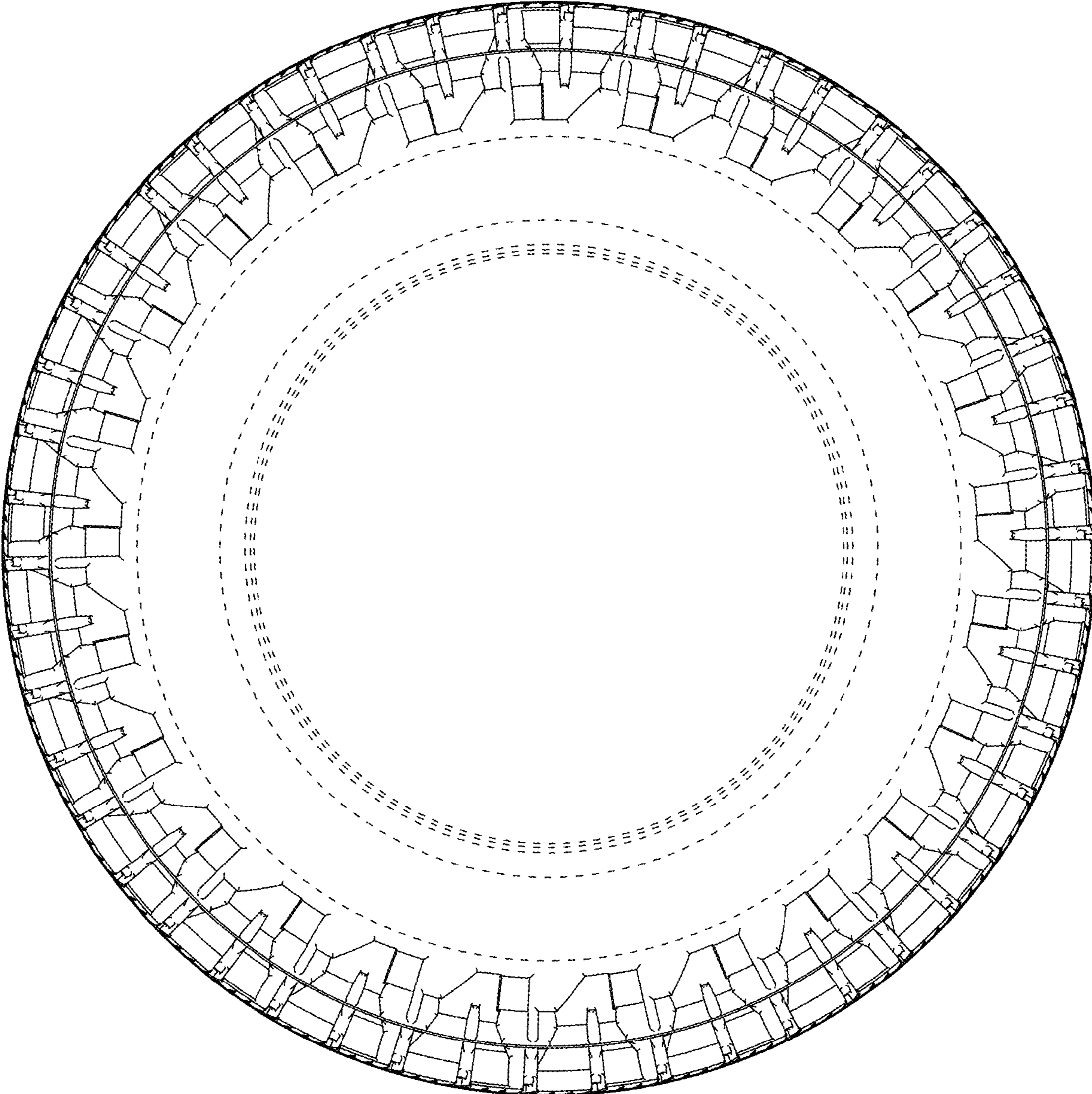


FIG. 6

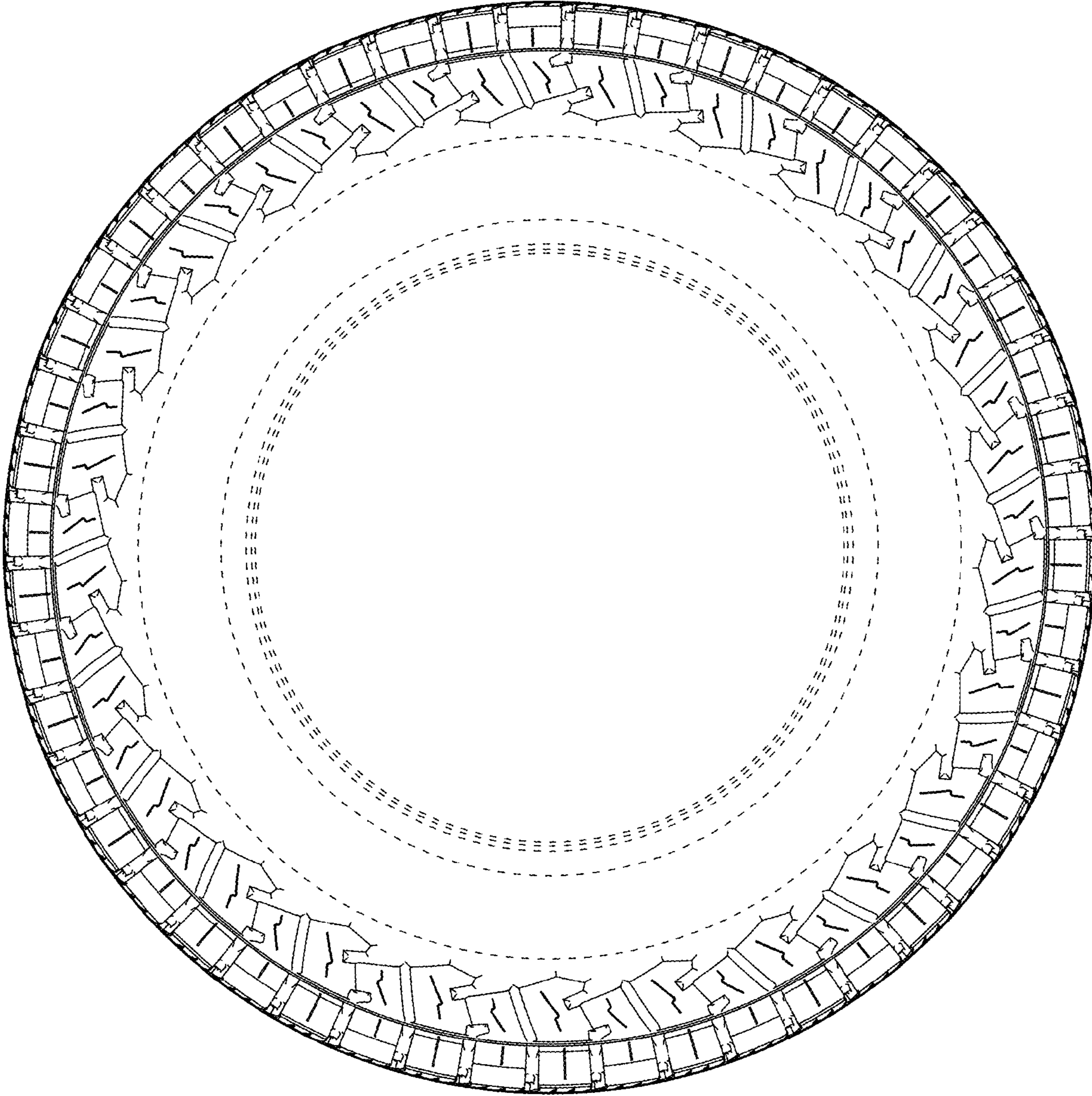


FIG. 7

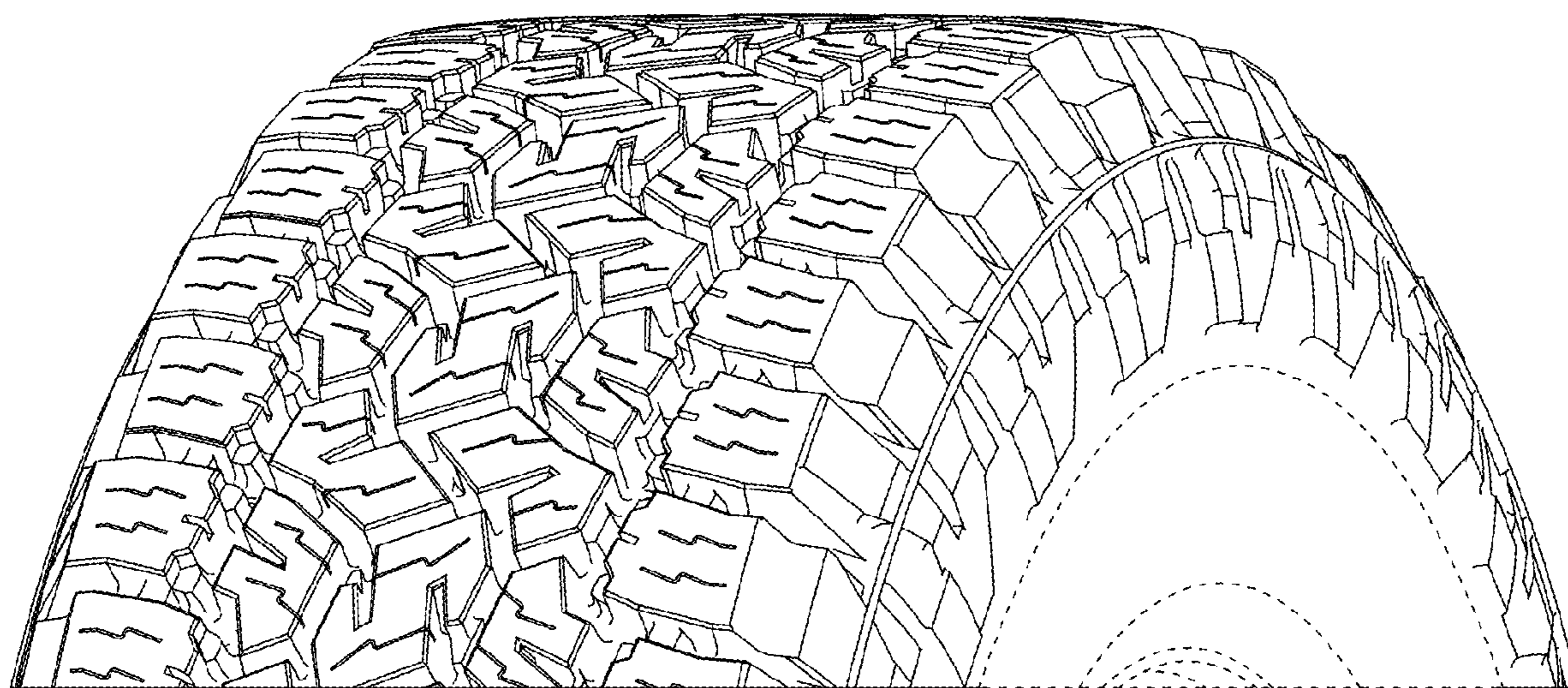


FIG. 8

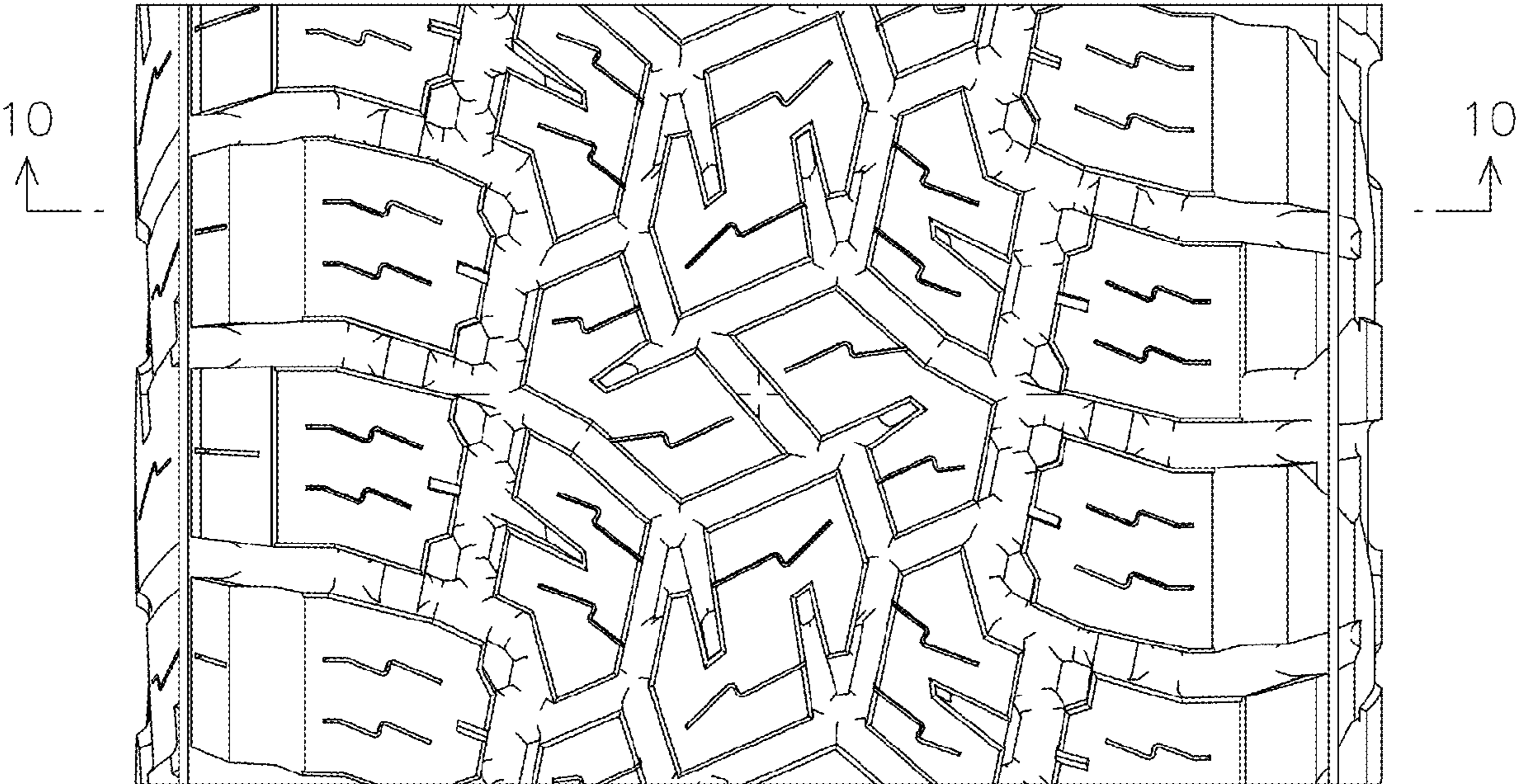


FIG. 9



FIG. 10

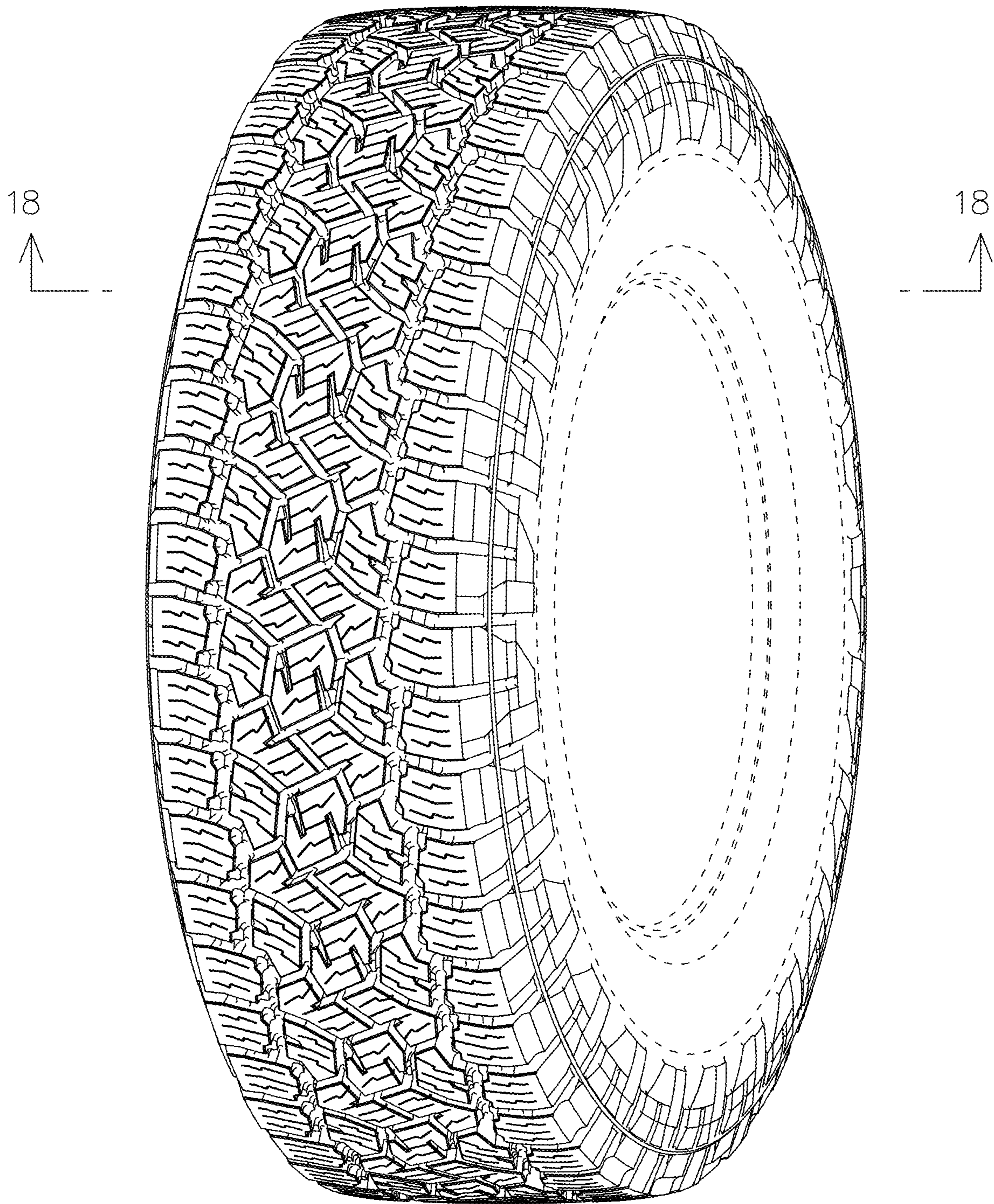


FIG. 11

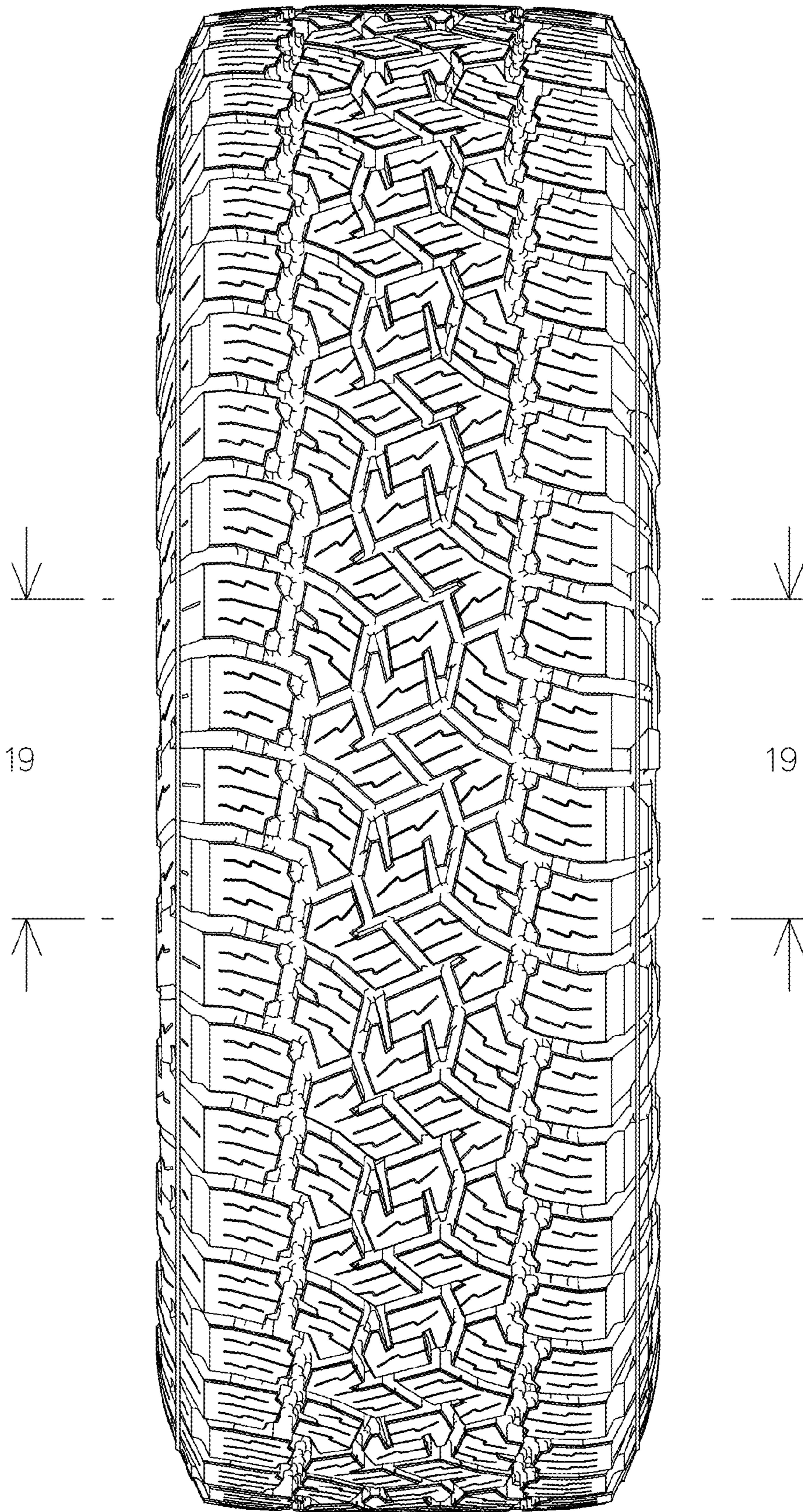


FIG. 12

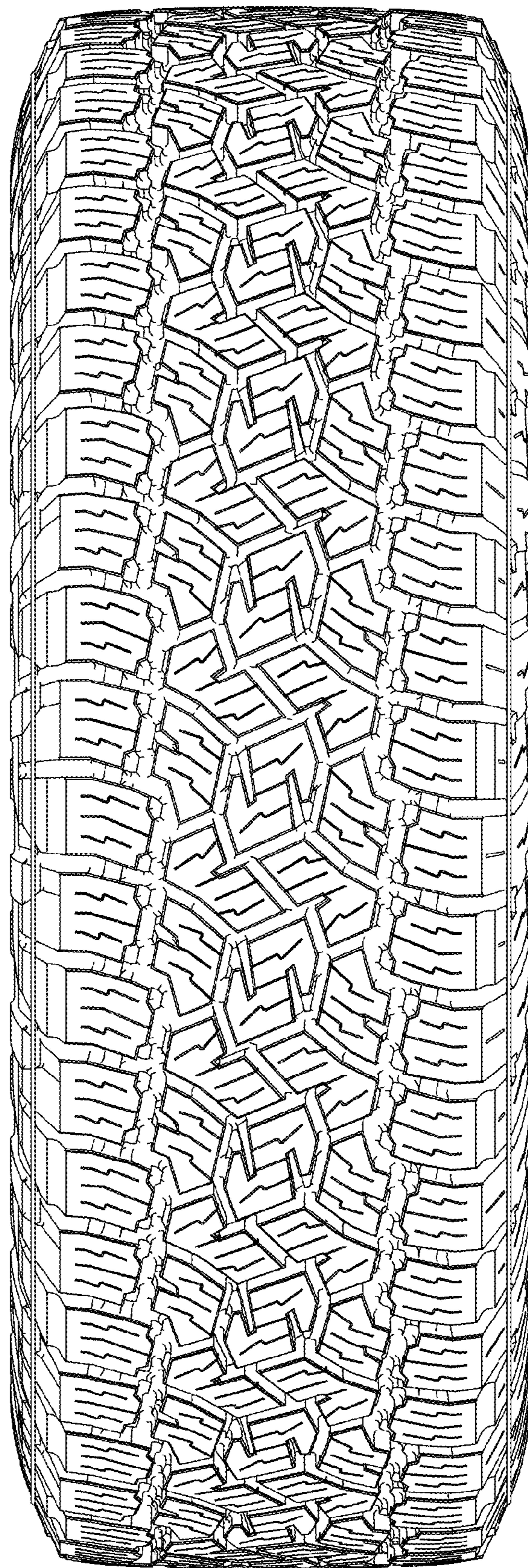


FIG. 13

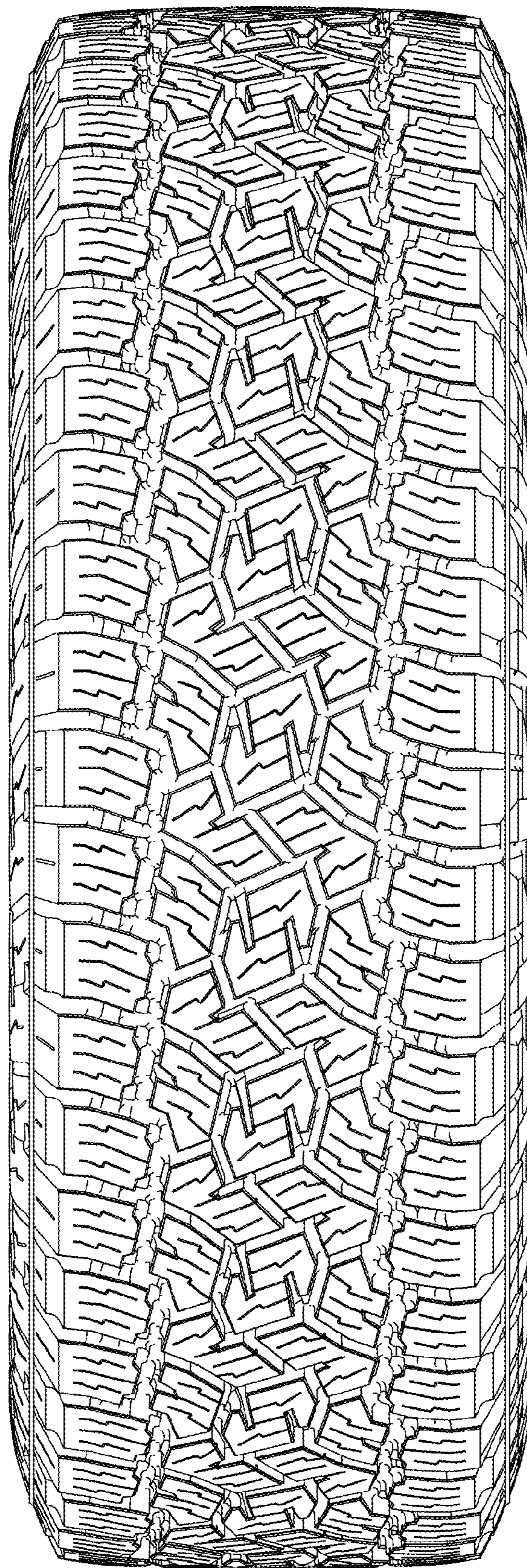


FIG. 14

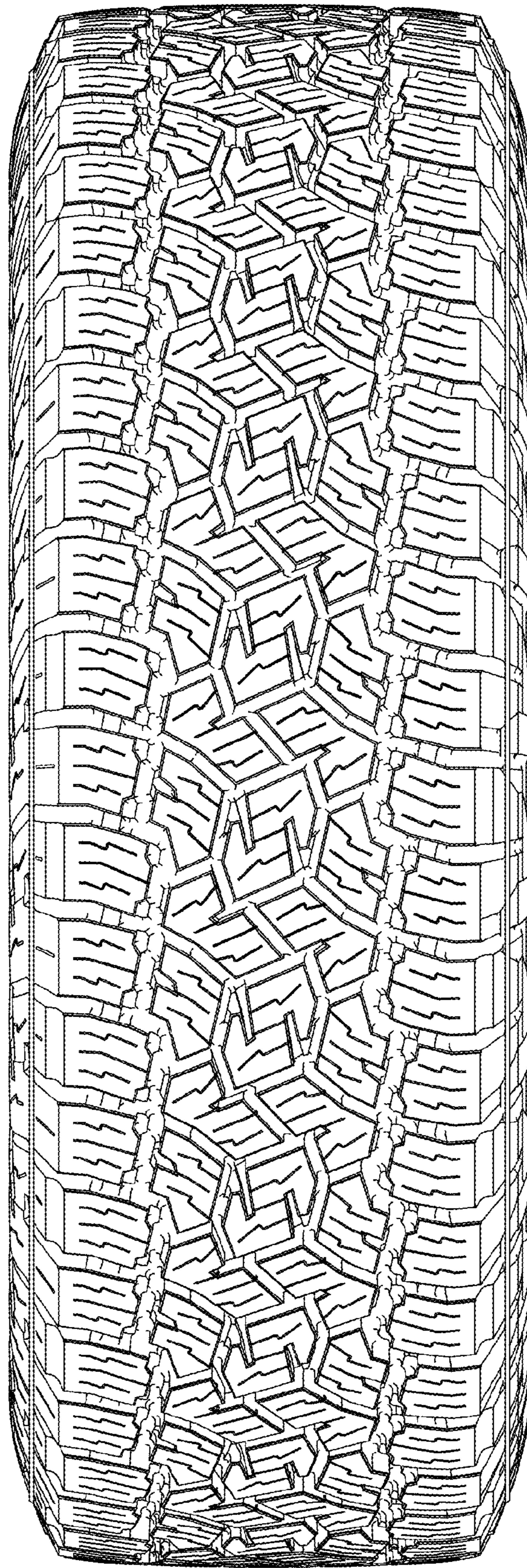


FIG. 15

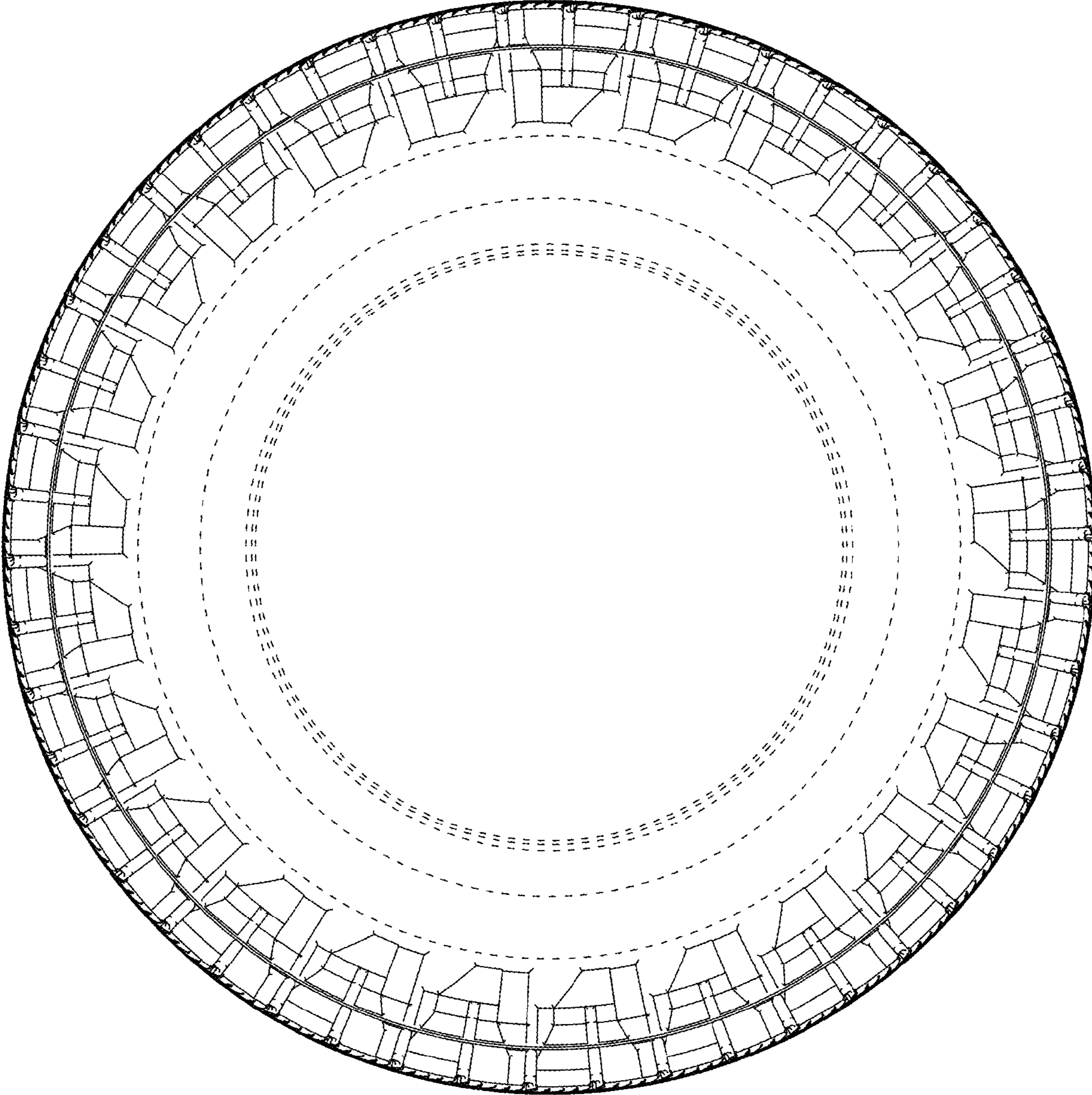


FIG. 16

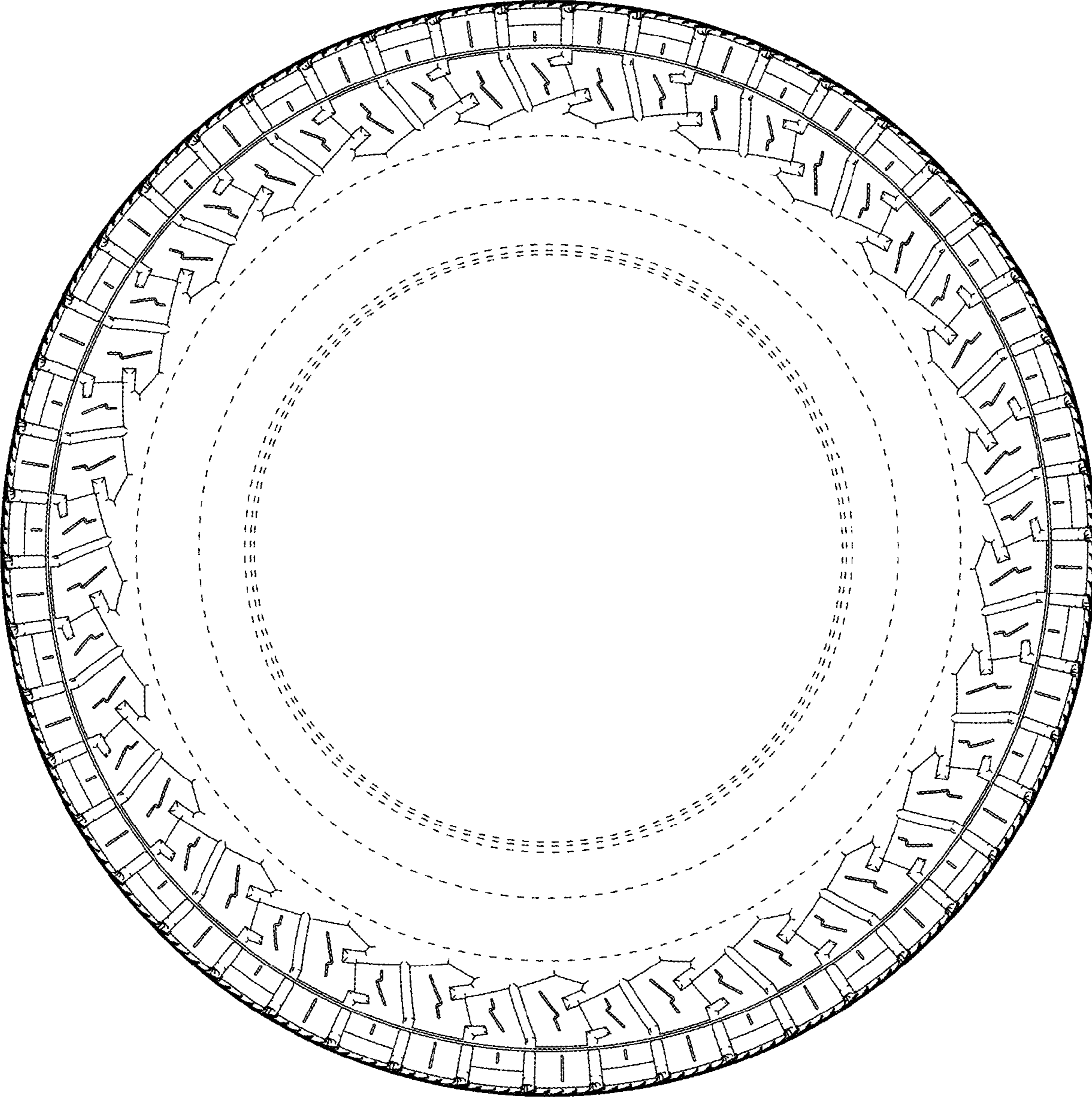


FIG. 17

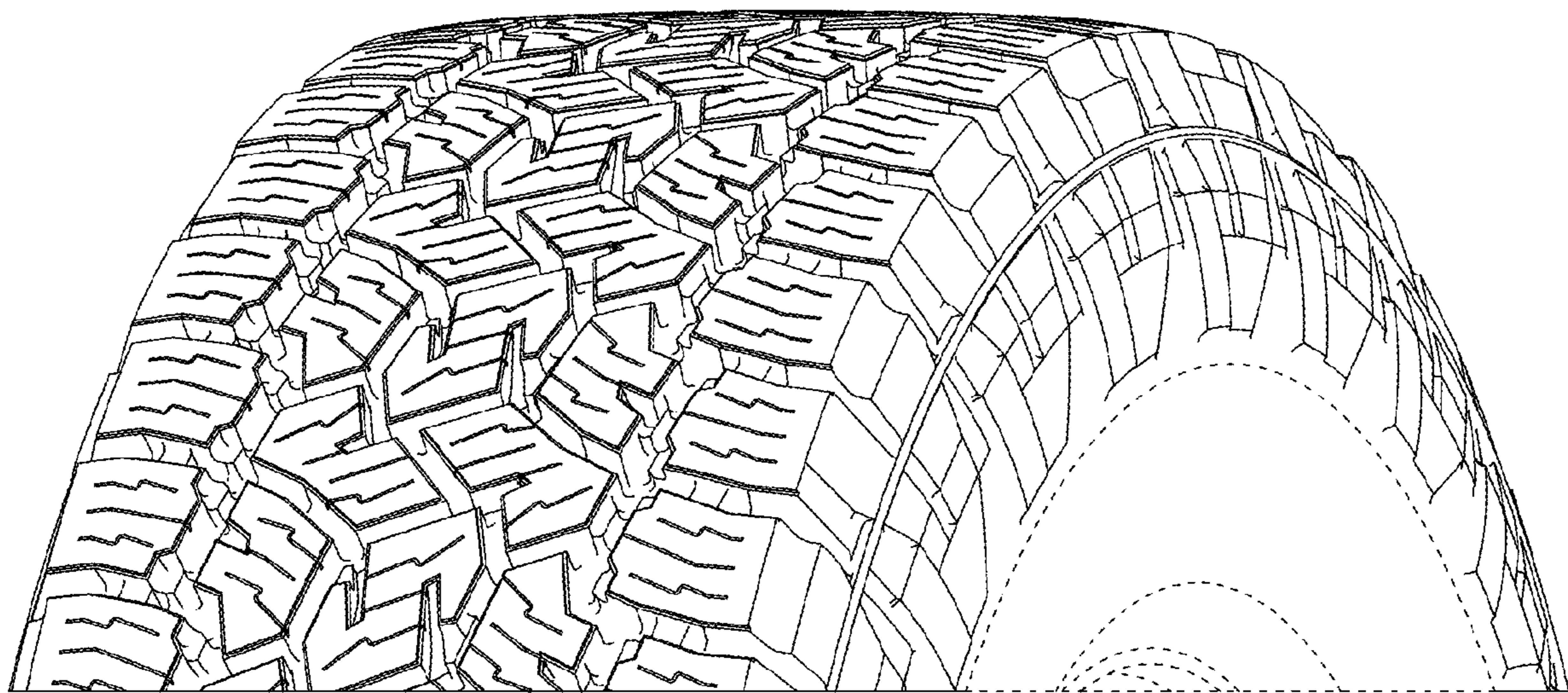


FIG. 18

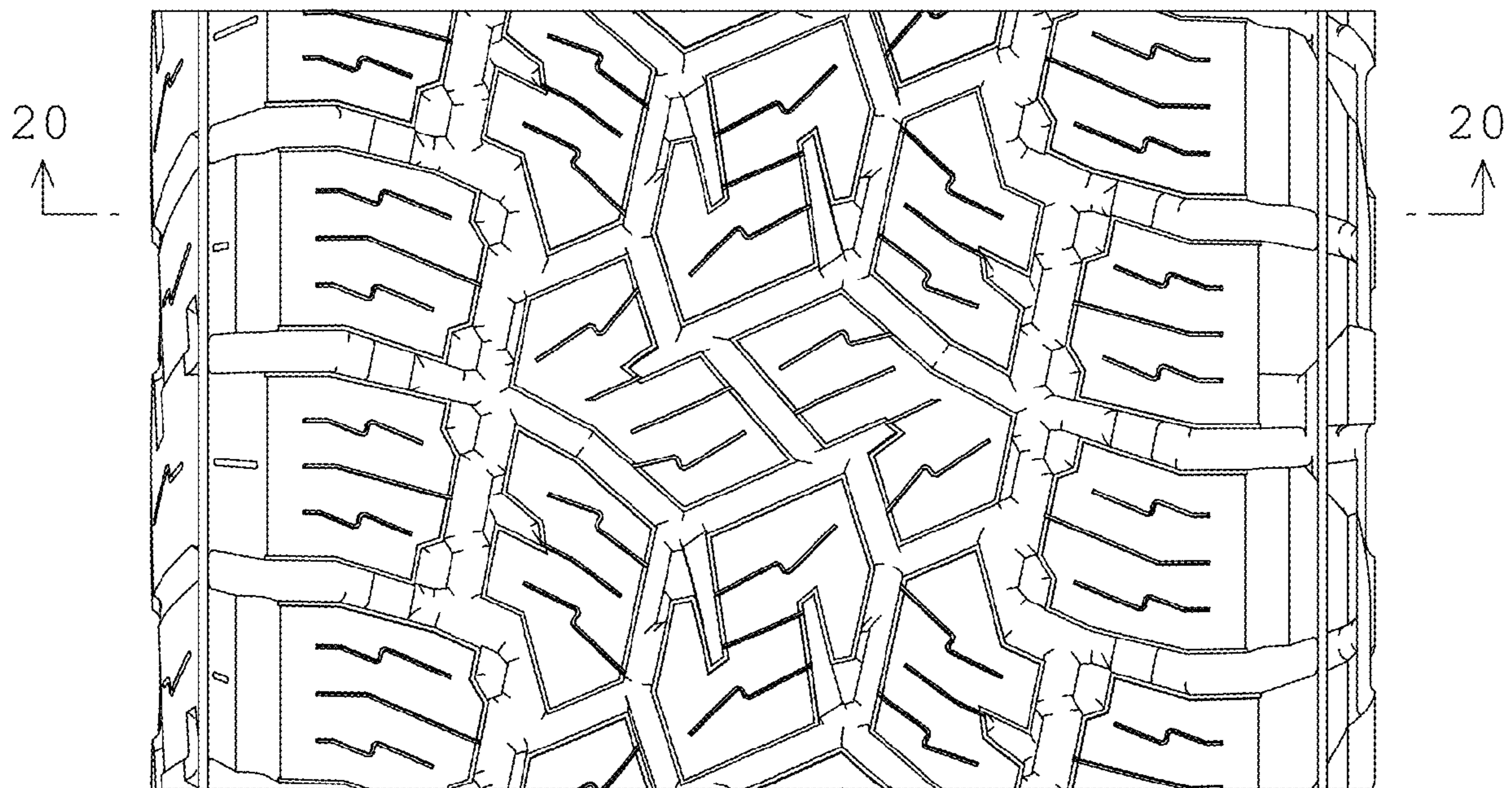


FIG. 19

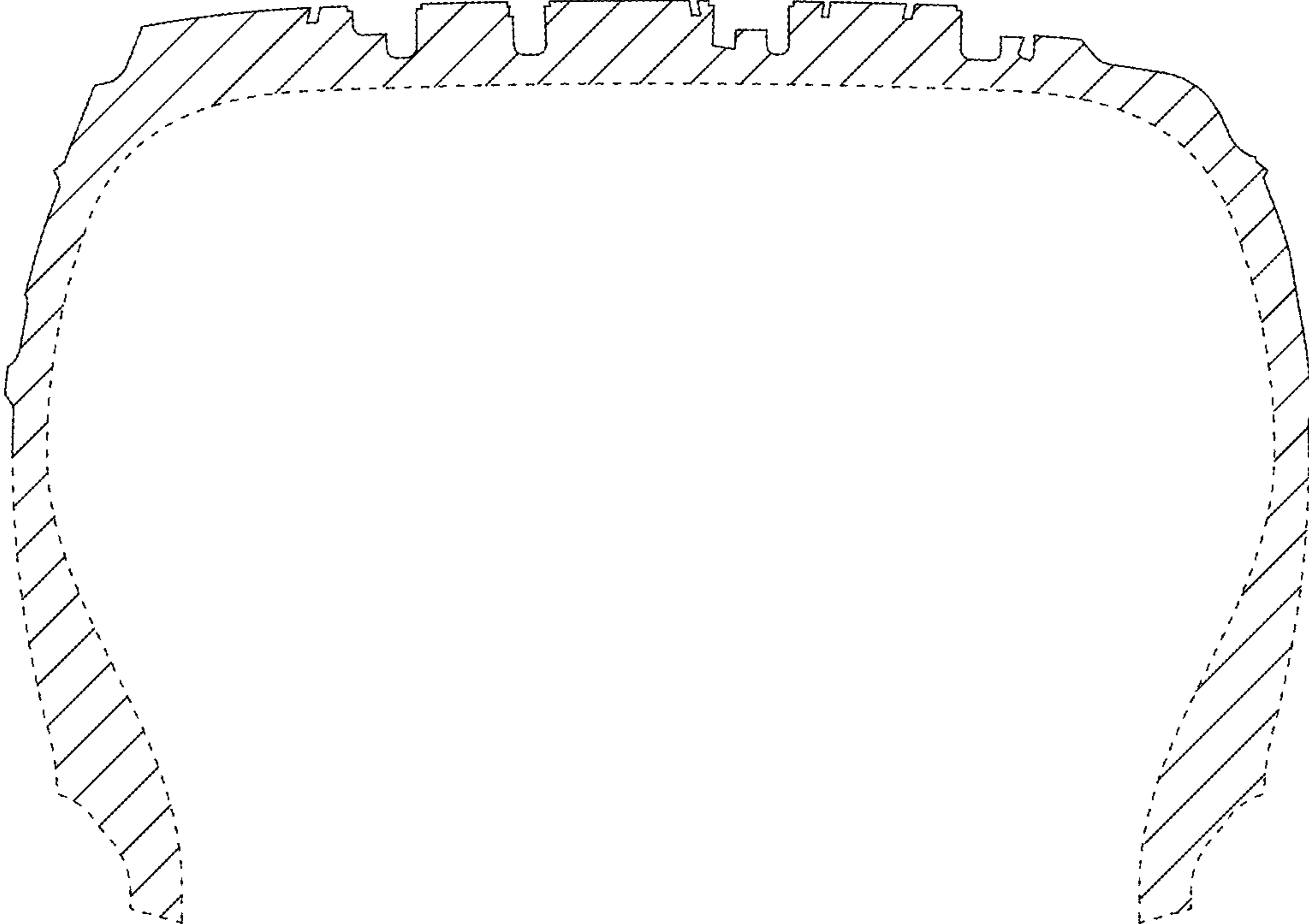


FIG. 20