



US00D884582S

(12) **United States Design Patent**
Shibayama

(10) **Patent No.:** **US D884,582 S**

(45) **Date of Patent:** **** May 19, 2020**

(54) **TIRE**

(71) Applicant: **TOYO TIRE & RUBBER CO., LTD.**,
Itami-shi, Hyogo (JP)

(72) Inventor: **Kensuke Shibayama**, Itami (JP)

(73) Assignee: **Toyo Tire & Rubber Co., Ltd.**,
Itami-shi (JP)

(**) Term: **15 Years**

(21) Appl. No.: **29/674,211**

(22) Filed: **Dec. 20, 2018**

(30) **Foreign Application Priority Data**

Jul. 31, 2018 (JP) 2018-016734

(51) **LOC (12) Cl.** **12-15**

(52) **U.S. Cl.**
USPC **D12/531**

(58) **Field of Classification Search**
USPC D12/500-532, 604
CPC Y10T 152/10027; B60C 1/0016; B60C
11/0306; B60C 11/0302; B60C 3/06;
B60C 9/17

See application file for complete search history.

(56) **References Cited**

U.S. PATENT DOCUMENTS

D453,919 S * 2/2002 Mast D12/528
D551,158 S * 9/2007 Collette D12/528
D733,635 S * 7/2015 Digman D12/521
D787,432 S * 5/2017 Hoshiba D12/588

D790,440 S * 6/2017 Schoeppner D12/521
D821,293 S * 6/2018 Hayashi D12/532
D822,585 S * 7/2018 Wang D12/532
D823,236 S * 7/2018 Fisher D12/600

FOREIGN PATENT DOCUMENTS

JP 1434493 S 11/2013
JP 1514978 S 1/2015

* cited by examiner

Primary Examiner — Brandon M Rosati

Assistant Examiner — John A Voytek

(74) *Attorney, Agent, or Firm* — Sterne, Kessler,
Goldstein & Fox P.L.L.C.

(57) **CLAIM**

The ornamental design for a tire, as shown and described.

DESCRIPTION

FIG. 1 is a front perspective view of a tire showing the claimed design;

FIG. 2 is a front view thereof;

FIG. 3 is a rear view thereof;

FIG. 4 is a top plan view thereof, the bottom plan view being the same;

FIG. 5 is a right side view thereof;

FIG. 6 is a left side view thereof;

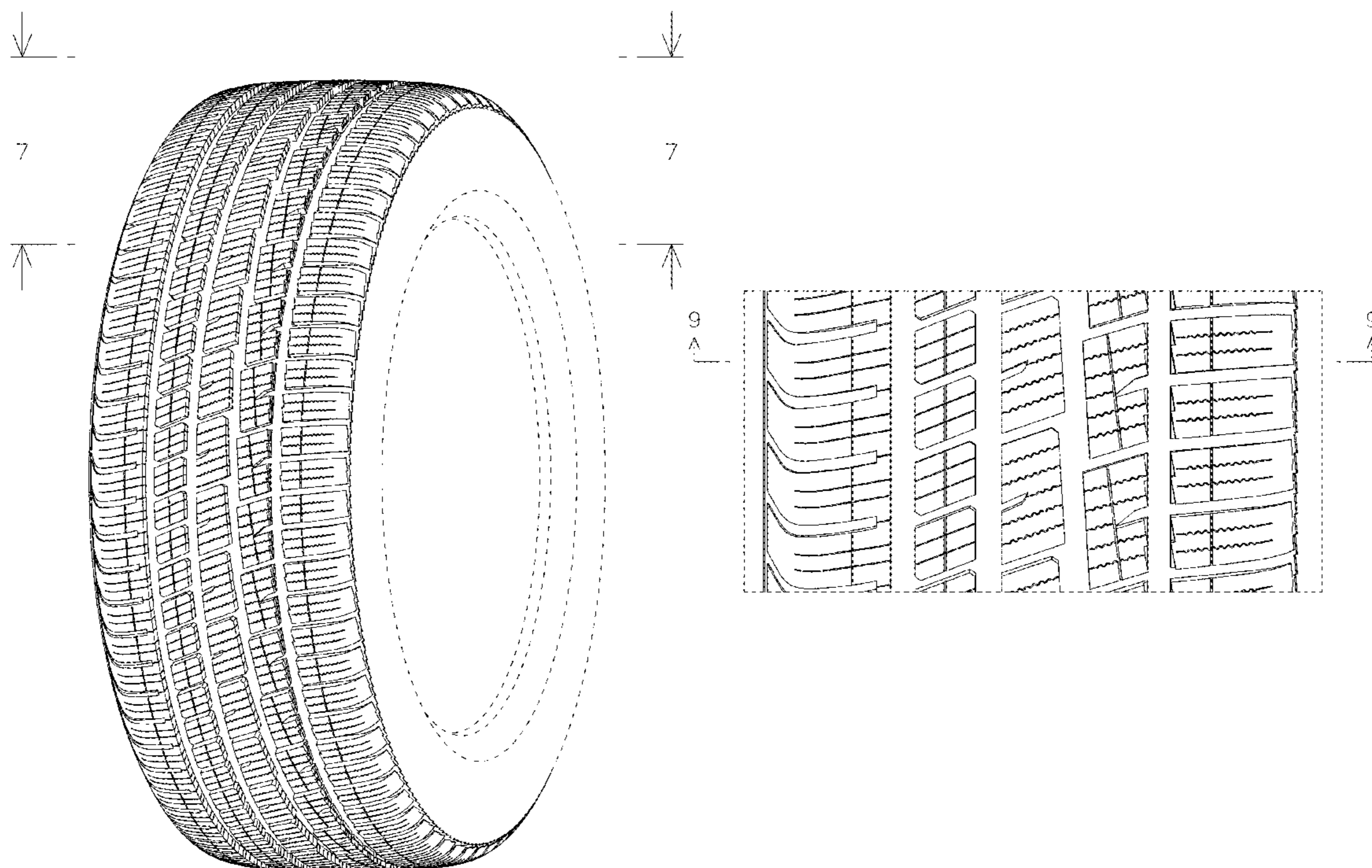
FIG. 7 is an enlarged view of the portion 7-7 in FIG. 1;

FIG. 8 is an enlarged view of the portion 8-8 in FIG. 2; and,

FIG. 9 is a cross-sectional view taken along line 9-9 in FIG. 8.

In the drawings, the broken lines show portions of the tire that form no part of the claimed design.

1 Claim, 9 Drawing Sheets



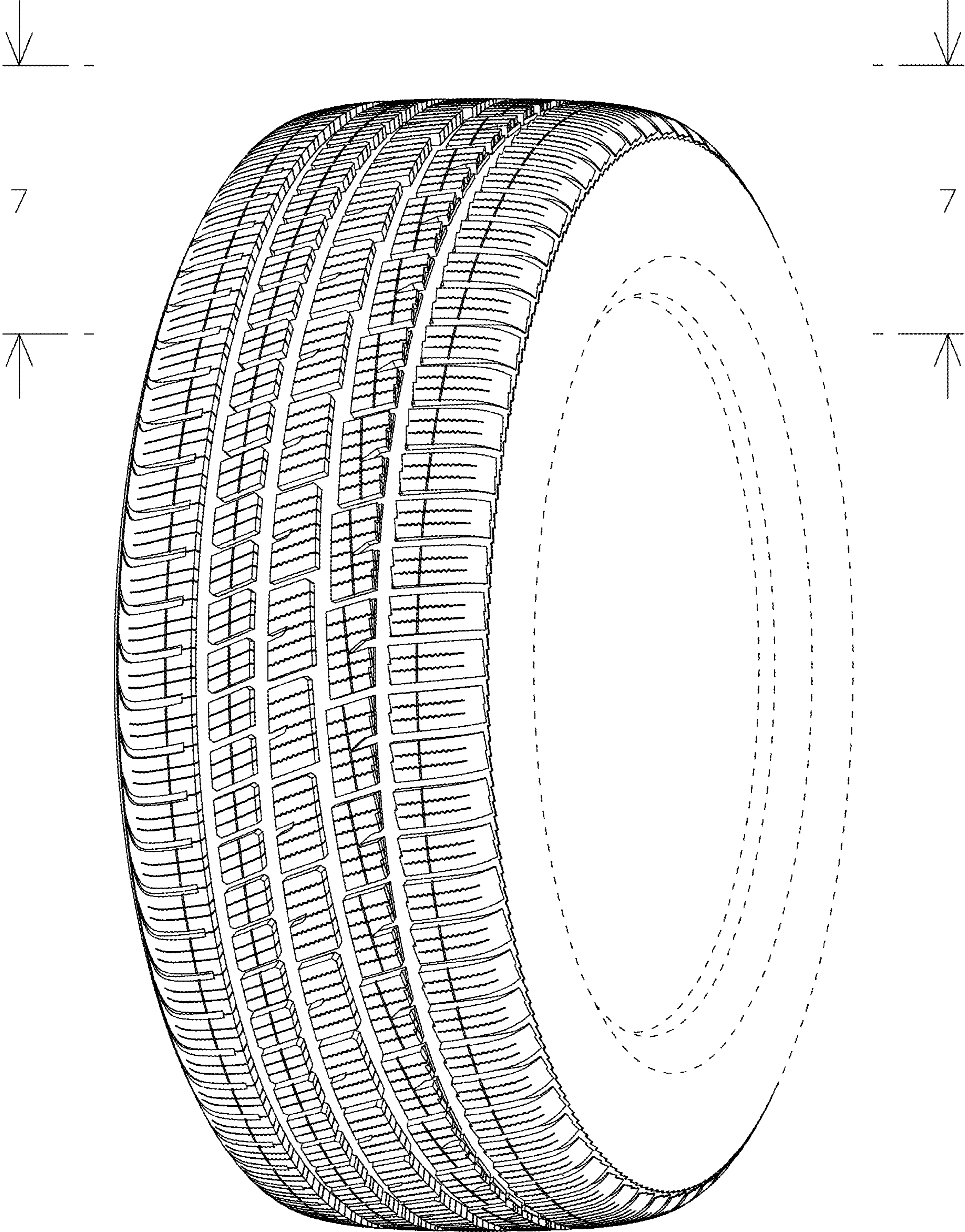


FIG. 1

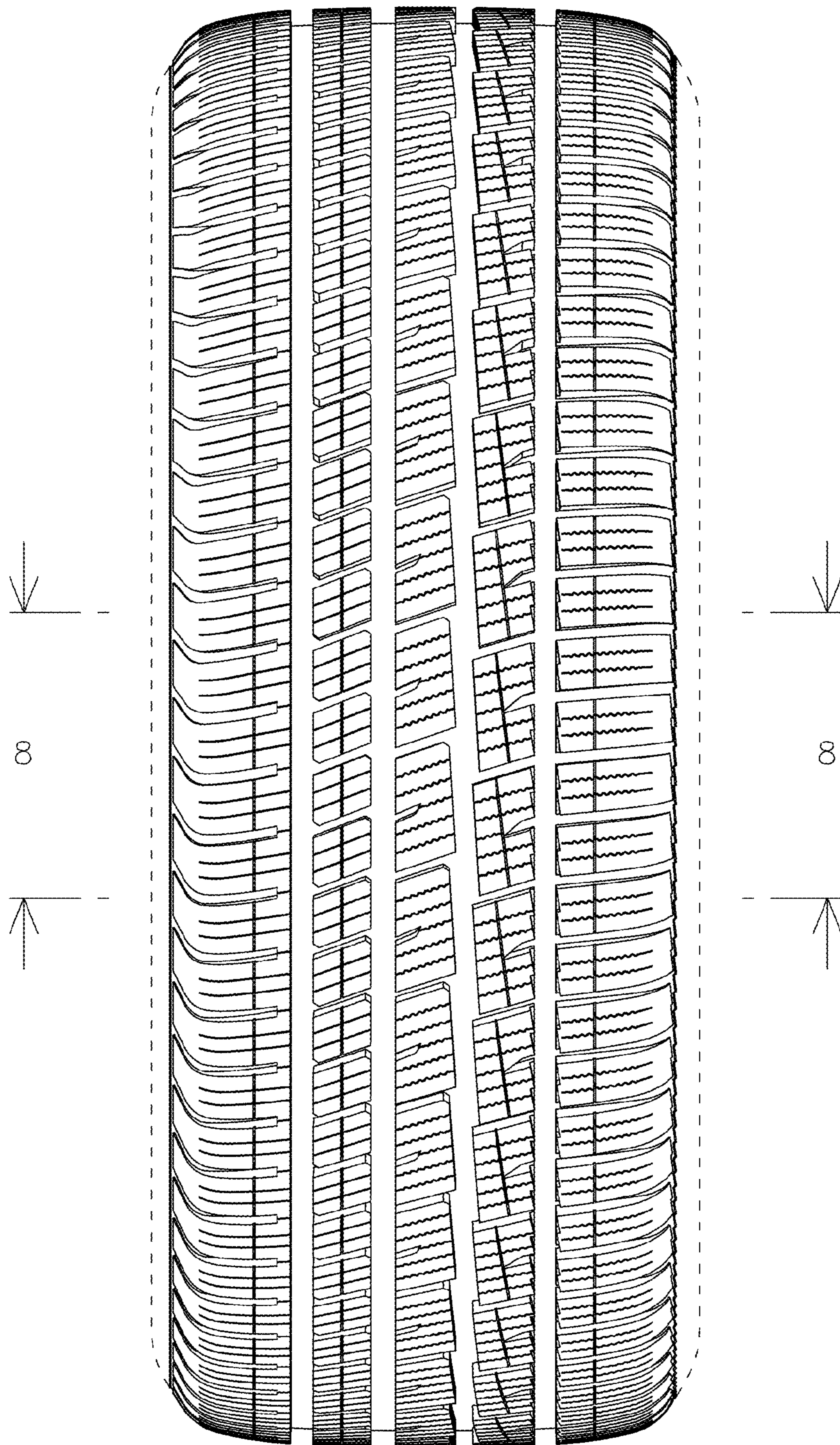


FIG. 2

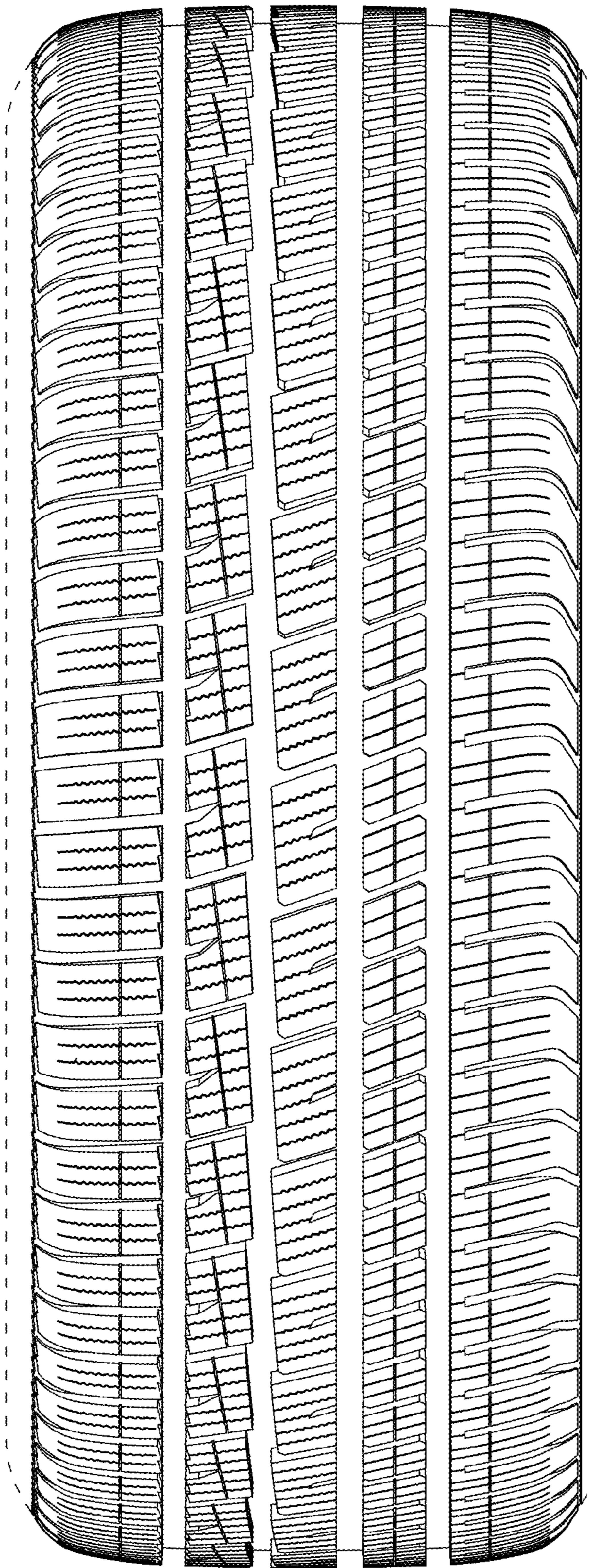


FIG. 3

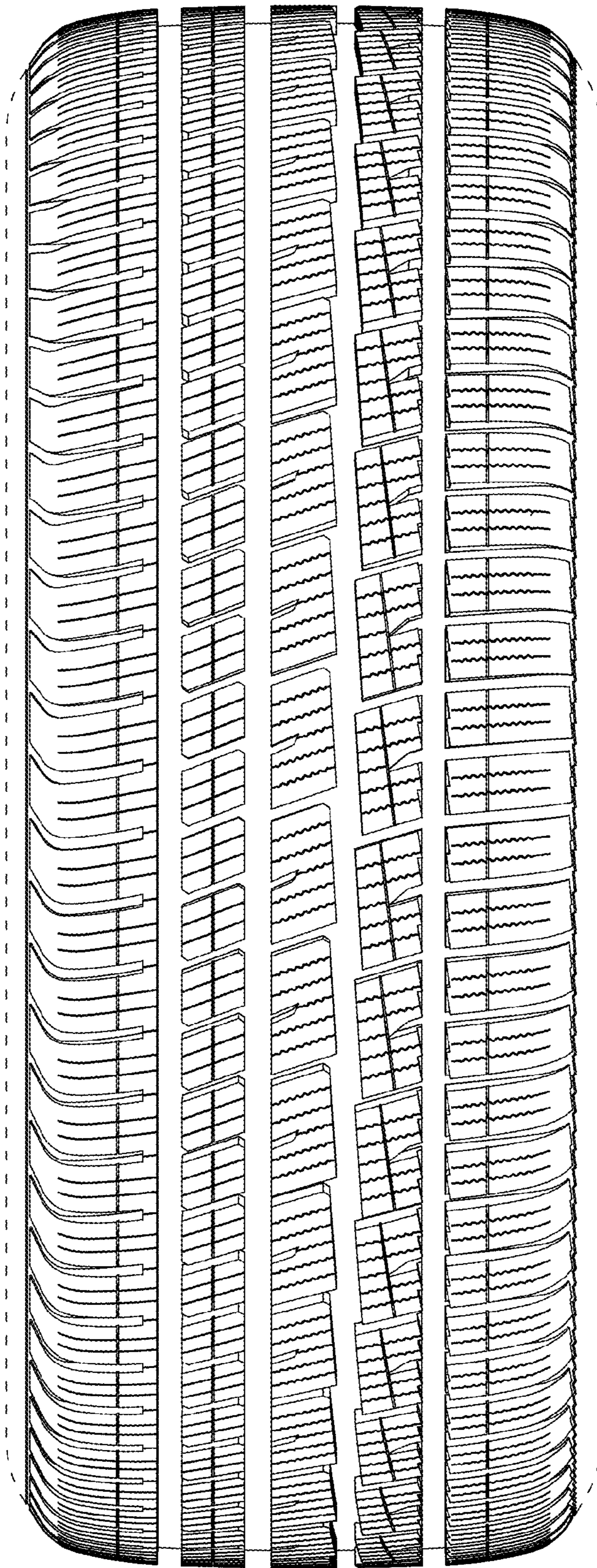


FIG. 4

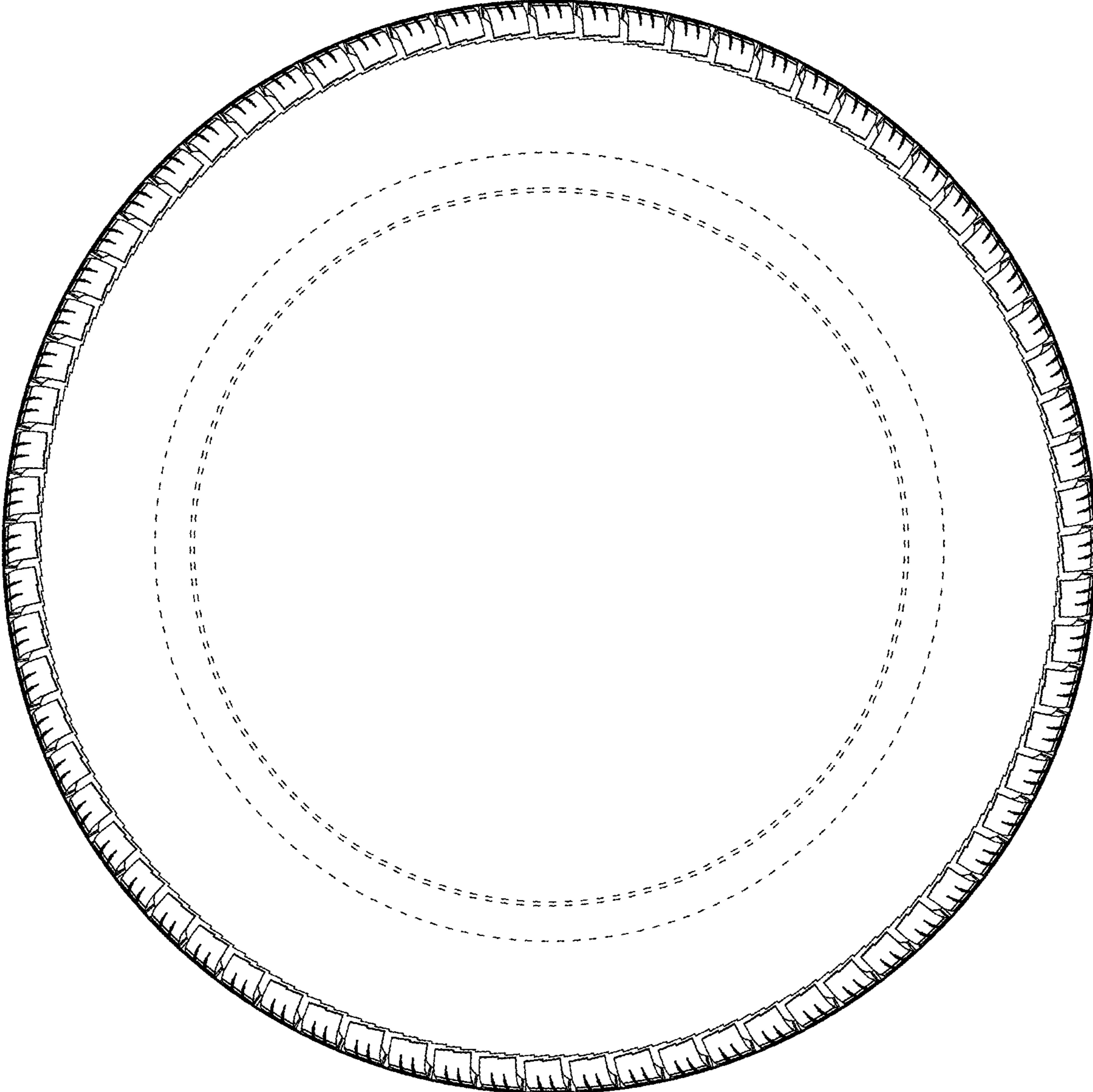


FIG. 5

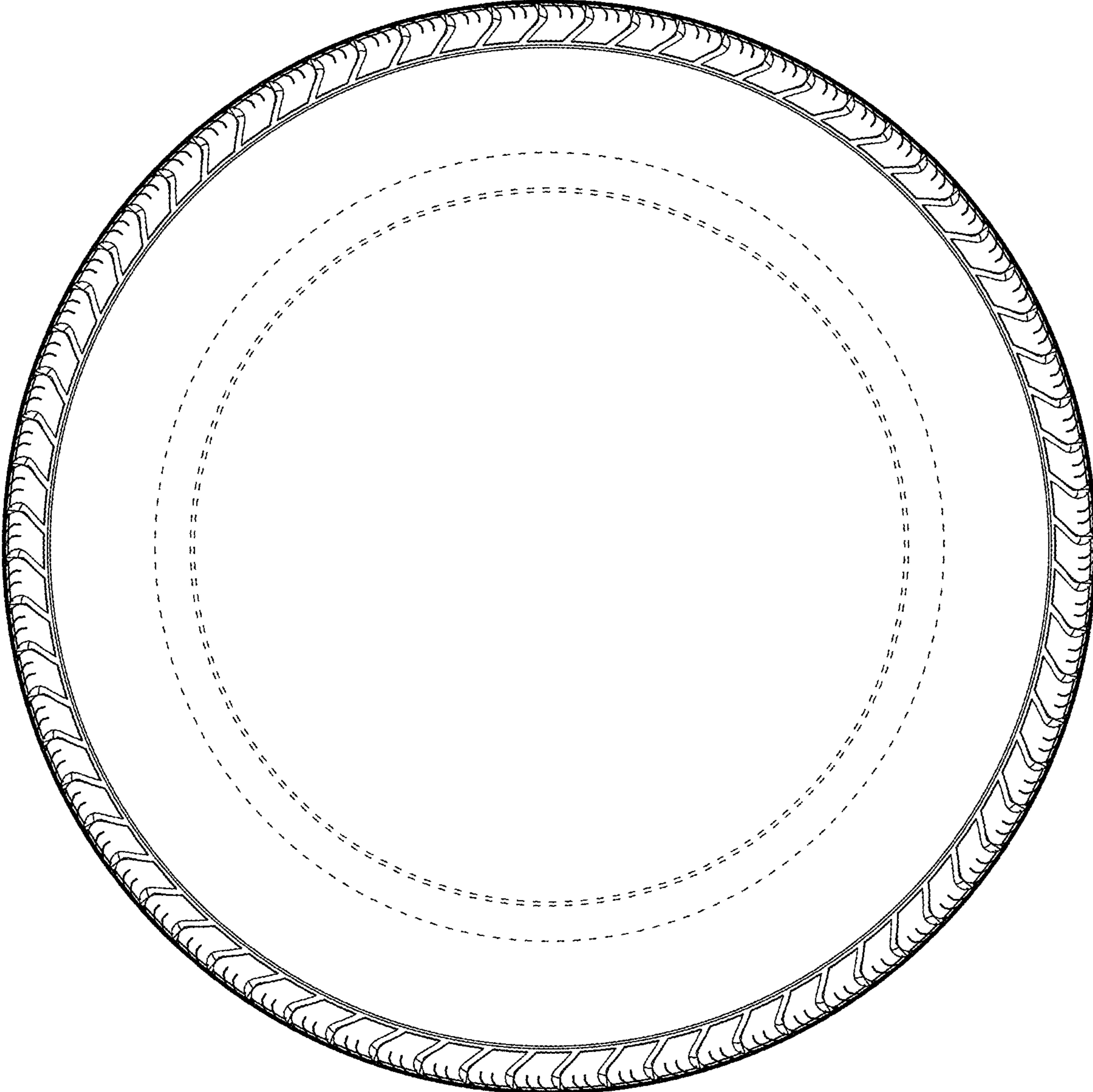


FIG. 6

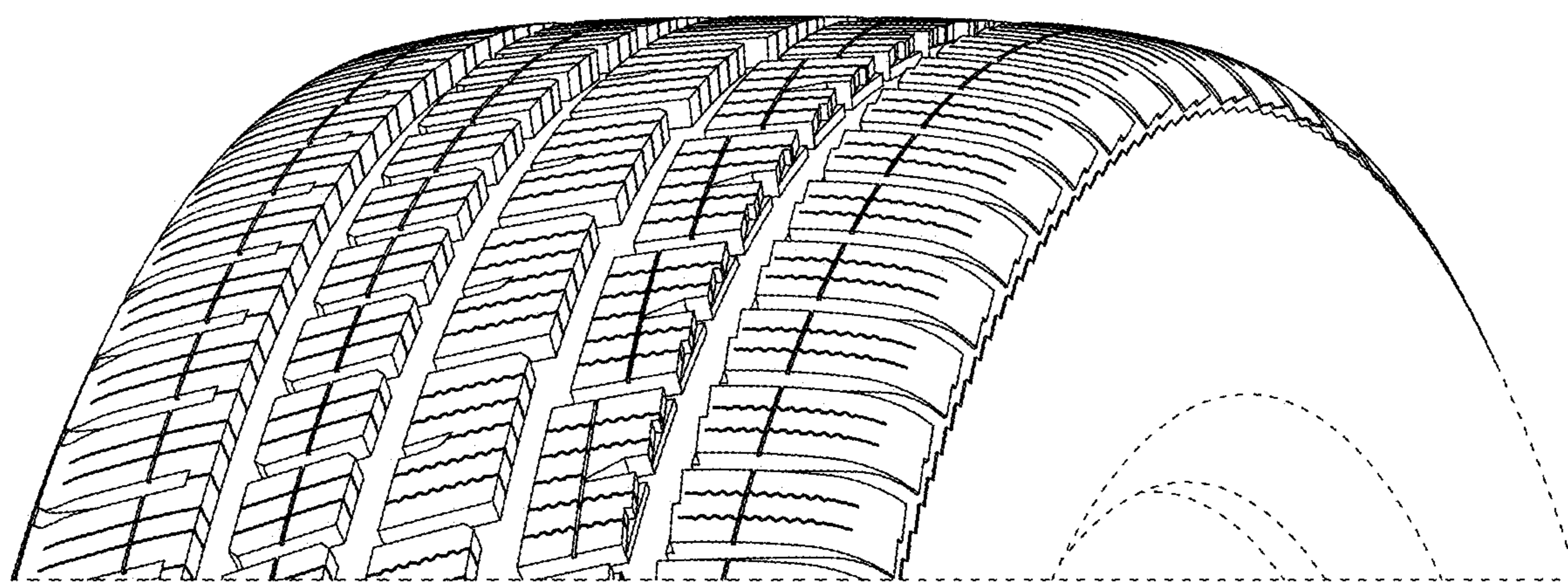


FIG. 7

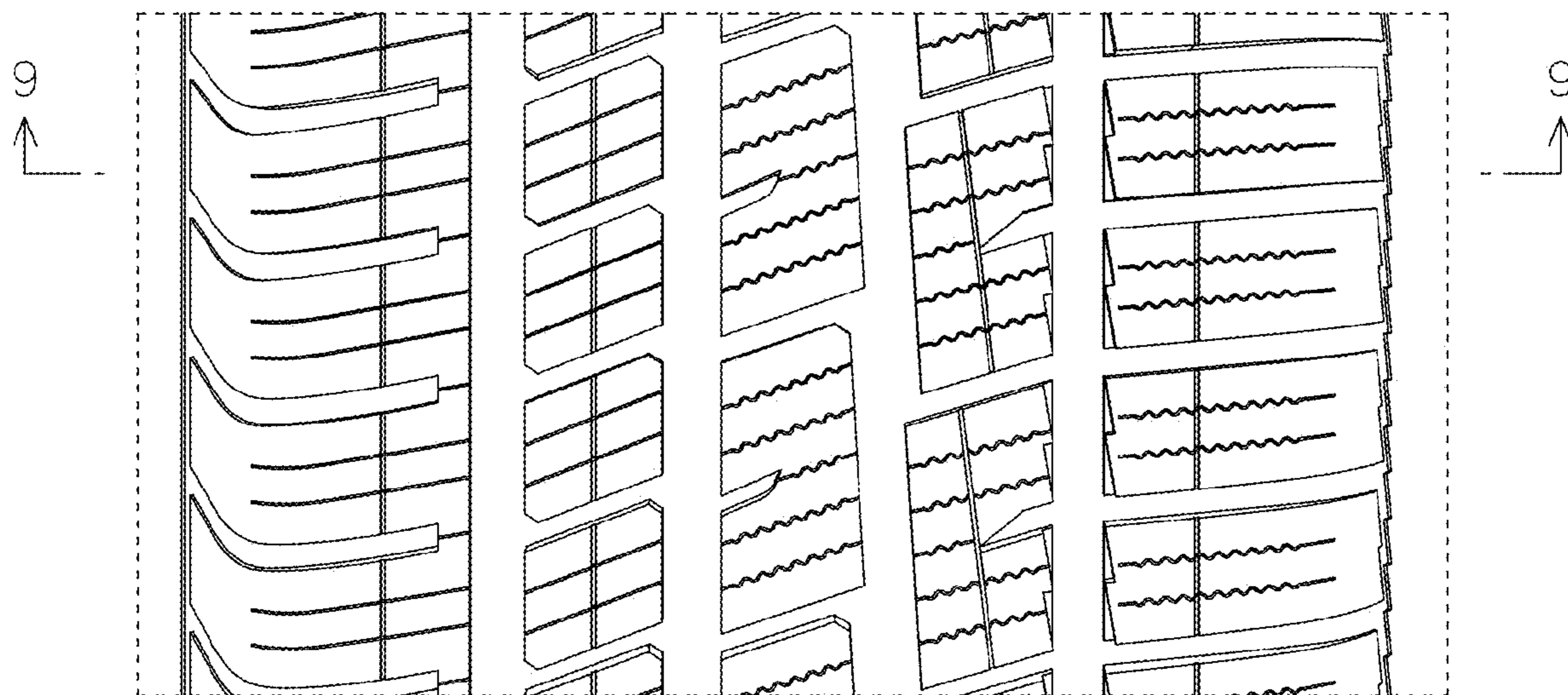


FIG. 8

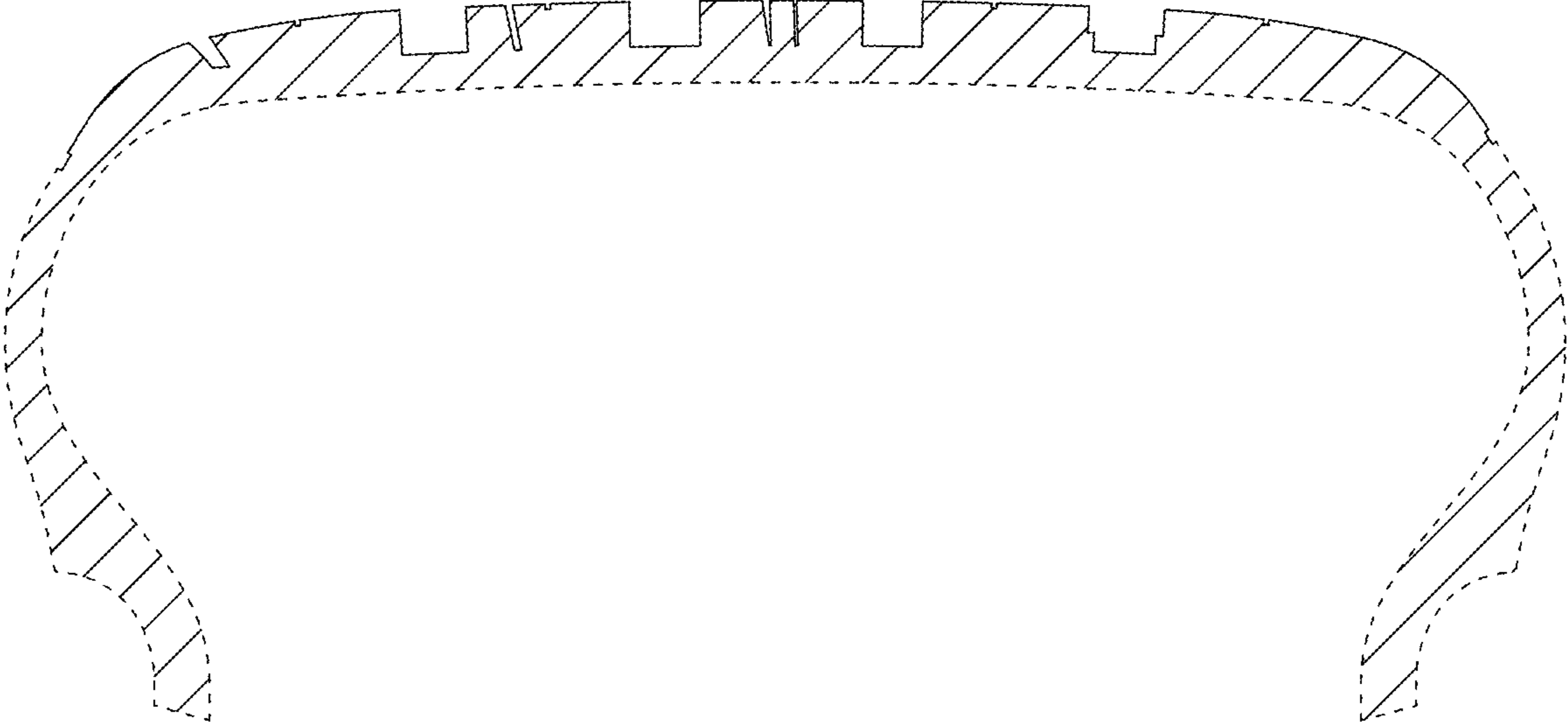


FIG. 9