



US00D884581S

(12) **United States Design Patent**  
**Nukushina**

(10) **Patent No.:** **US D884,581 S**

(45) **Date of Patent:** **\*\* May 19, 2020**

(54) **AUTOMOBILE TIRE**

OTHER PUBLICATIONS

(71) Applicant: **THE YOKOHAMA RUBBER CO., LTD.**, Minato-ku, Tokyo (JP)

Yokohama Iceguard IG53 reference [Oct. 26, 2019] found online [Oct. 26, 2019]—<https://www.yokohamatire.com/tires/iceguard-ig53>.\*

(72) Inventor: **Ryosuke Nukushina**, Hiratsuka (JP)

\* cited by examiner

(73) Assignee: **THE YOKOHAMA RUBBER CO., LTD.**, Minato-ku, Tokyo (JP)

*Primary Examiner* — Lakiya G Rogers

*Assistant Examiner* — John A Voytek

(\*\*) Term: **15 Years**

(74) *Attorney, Agent, or Firm* — Banner & Witcoff, Ltd.

(21) Appl. No.: **29/668,867**

(22) Filed: **Nov. 2, 2018**

(57) **CLAIM**

(30) **Foreign Application Priority Data**

The ornamental design for an automobile tire, as shown and described.

May 2, 2018 (JP) ..... 2018-009784

(51) **LOC (12) Cl.** ..... **12-15**

**DESCRIPTION**

(52) **U.S. Cl.**  
USPC ..... **D12/531**

(58) **Field of Classification Search**  
USPC ..... D12/533–567, 604  
CPC ..... Y10T 152/10027; B60C 1/0016; B60C 11/0306; B60C 11/0302; B60C 3/06; B60C 9/17

See application file for complete search history.

FIG. 1 is a perspective view of an automobile tire showing our design;

FIG. 2 is a front view thereof;

FIG. 3 is a rear view thereof;

FIG. 4 is a right side view thereof;

FIG. 5 is a left side view thereof;

FIG. 6 is a top view thereof;

FIG. 7 is a bottom view thereof;

FIG. 8 is a partially enlarged view of a portion defined by lines 8-8 shown in FIG. 1;

FIG. 9 is a partially enlarged view of a portion defined by lines 9-9 shown in FIG. 2; and,

FIG. 10 is an sectional view of a portion defined by lines 10-10 shown in FIG. 9.

In the drawings, the broken lines depict environmental subject matter only and form no part of the claimed design.

(56) **References Cited**

**U.S. PATENT DOCUMENTS**

D603,323 S	*	11/2009	Sakai	.....	D12/515
D687,367 S	*	8/2013	Kawasaki	.....	D12/532
D763,172 S	*	8/2016	Sato	.....	D12/531
D828,282 S	*	9/2018	Nukushina	.....	D12/531
D828,283 S	*	9/2018	Nukushina	.....	D12/532
D840,327 S	*	2/2019	Brandau	.....	D12/531
D840,328 S	*	2/2019	Brandau	.....	D12/531

**1 Claim, 10 Drawing Sheets**

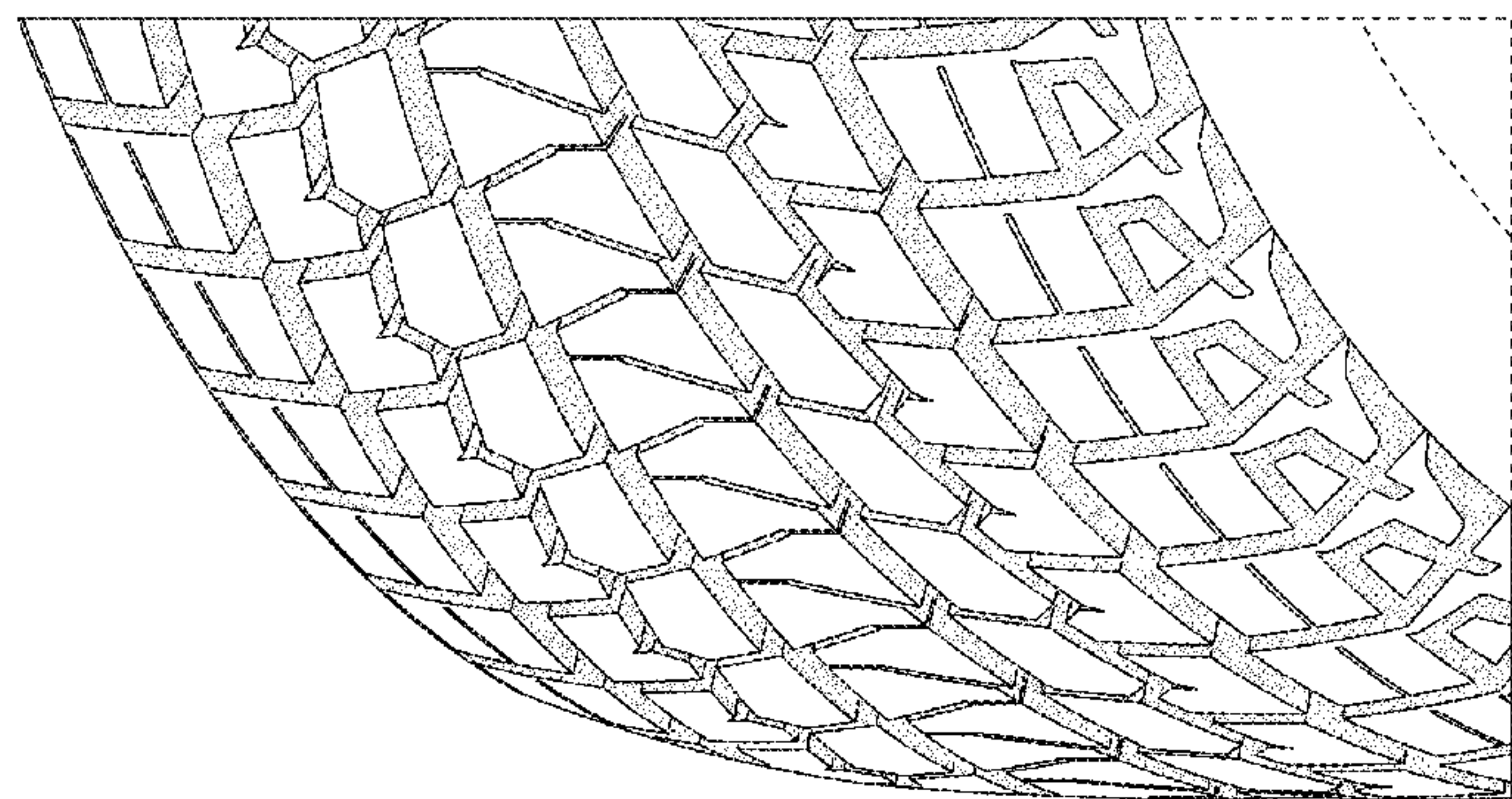
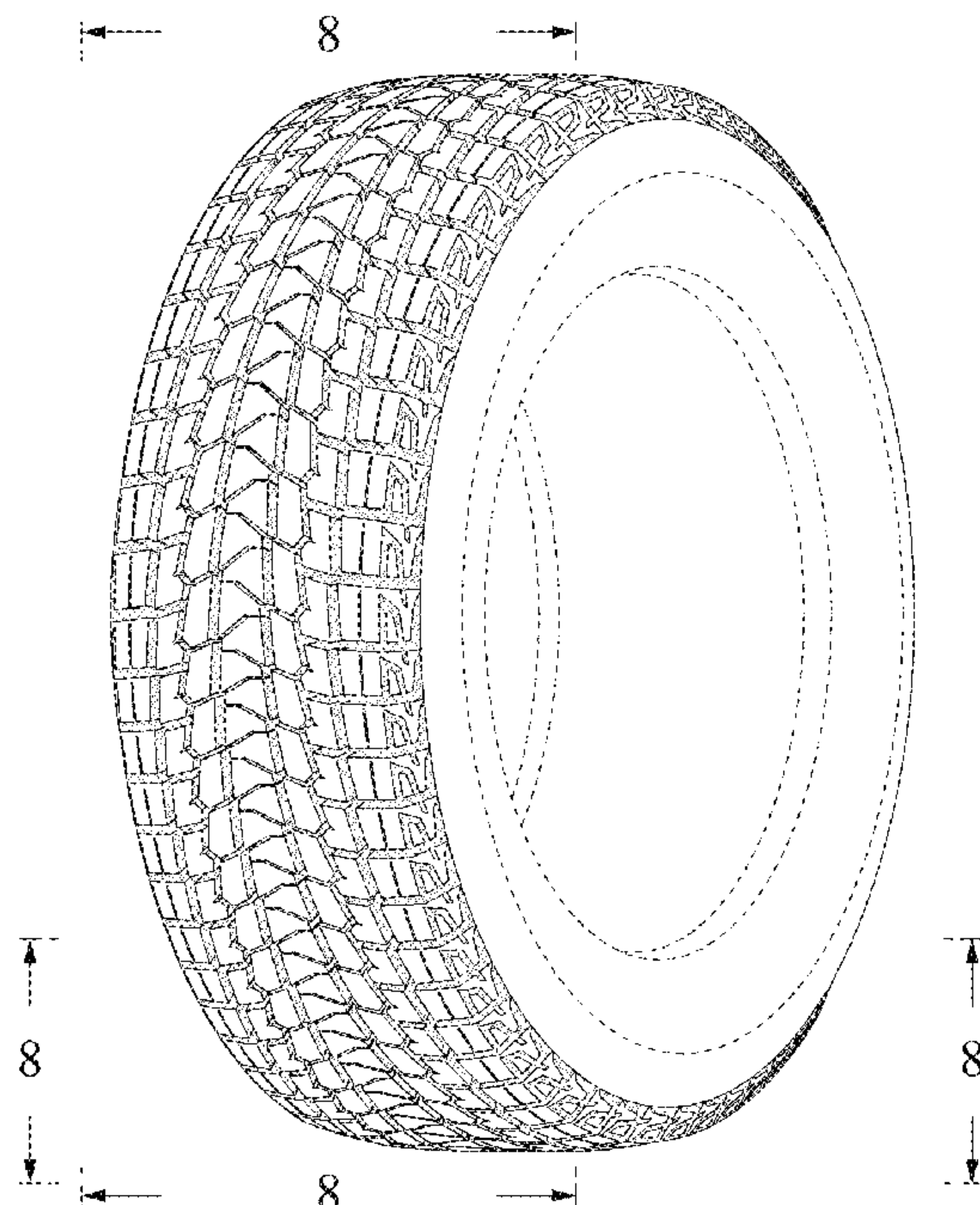
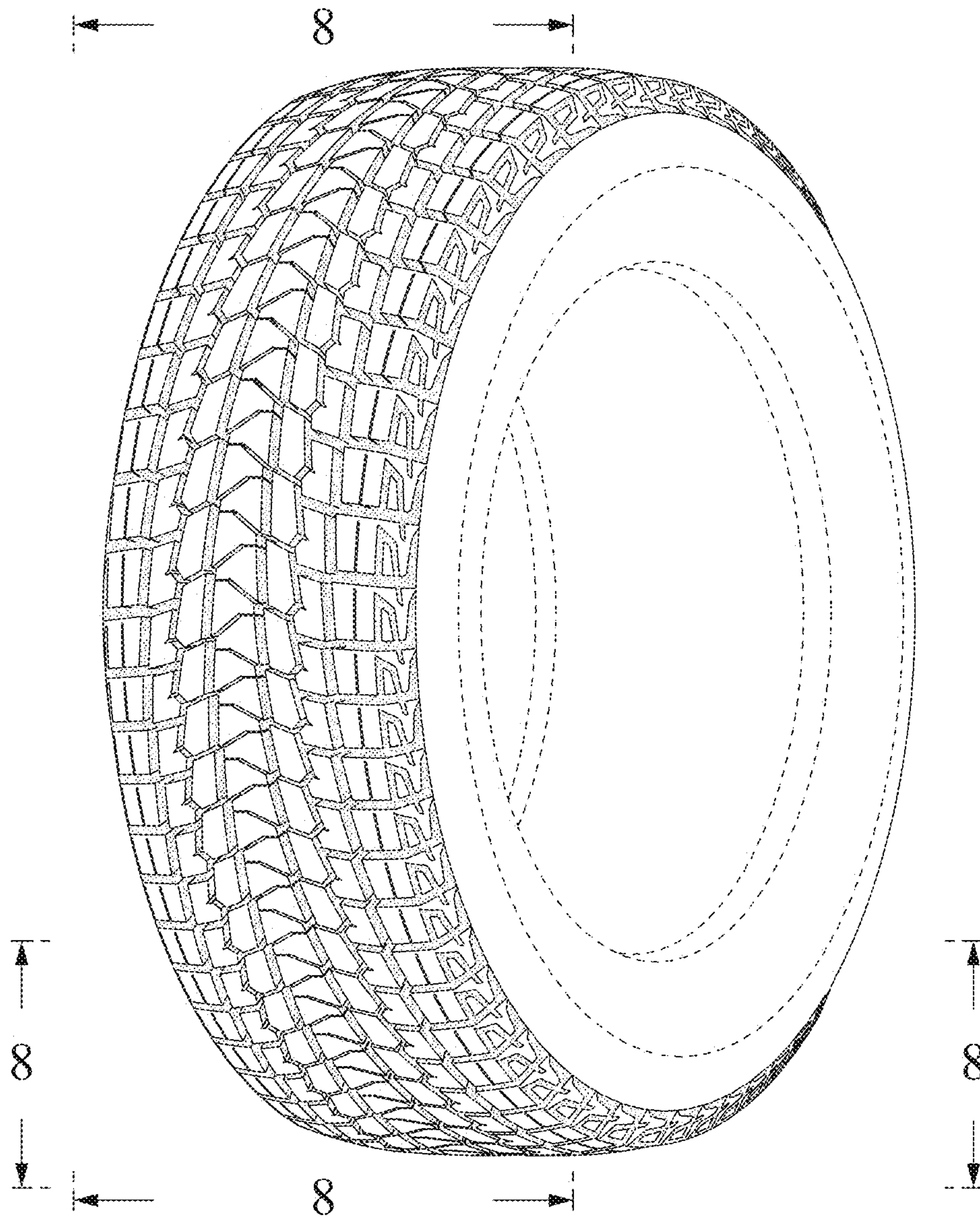
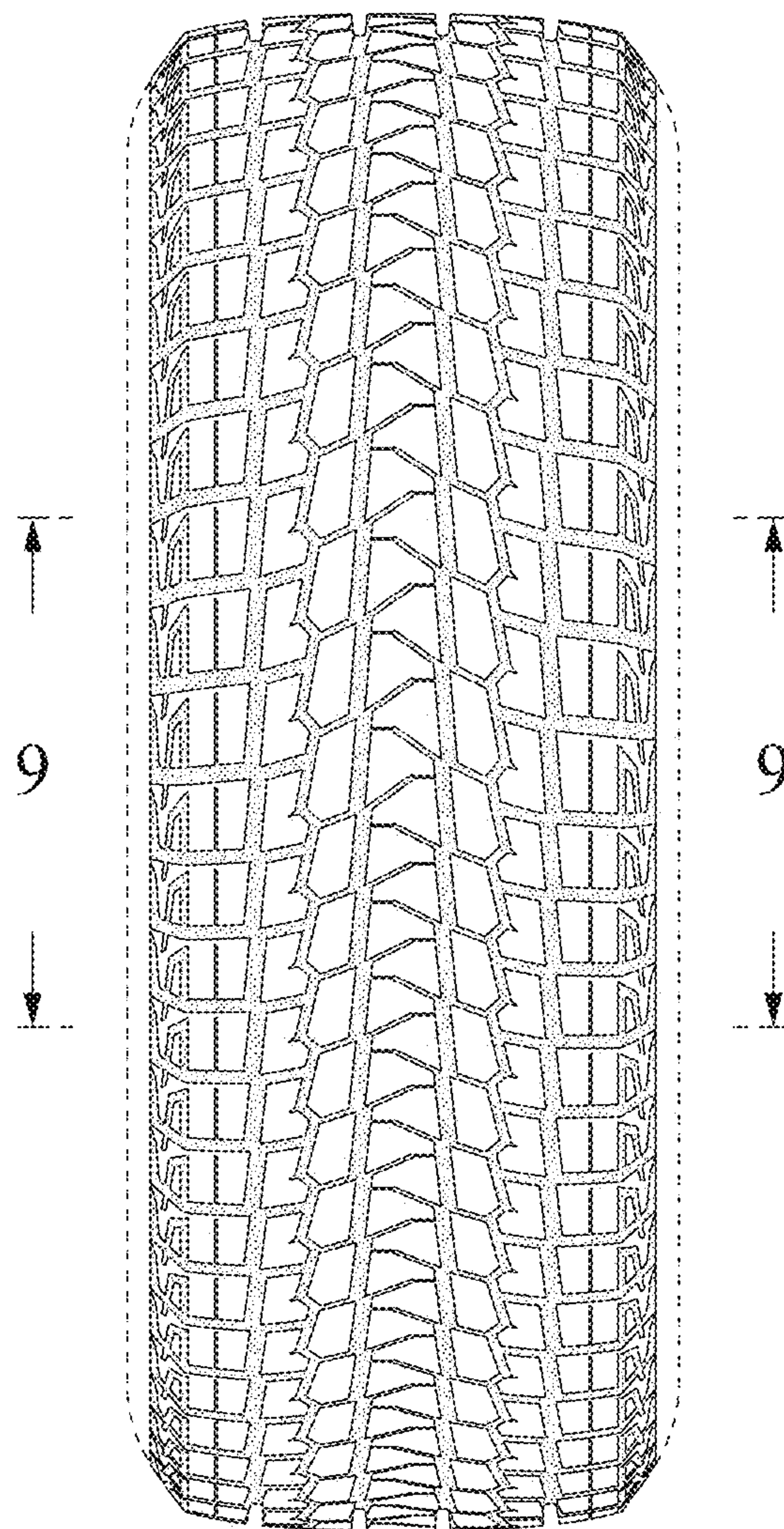


FIG. 1

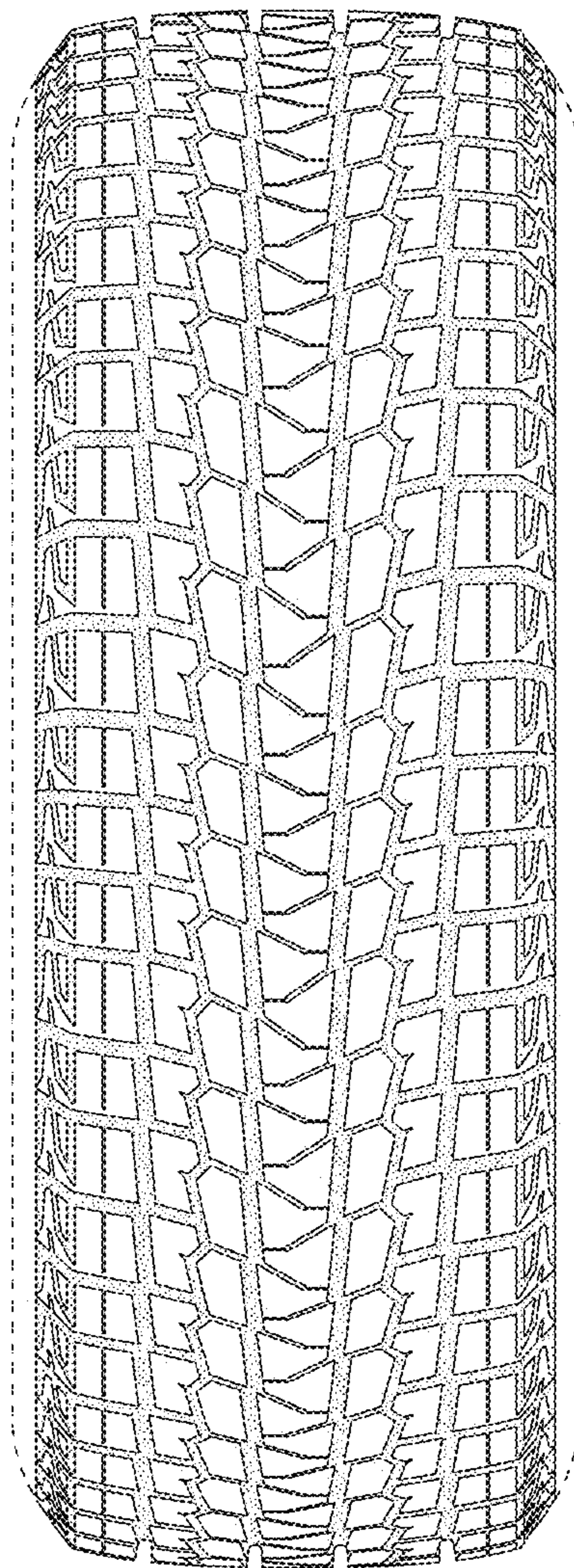




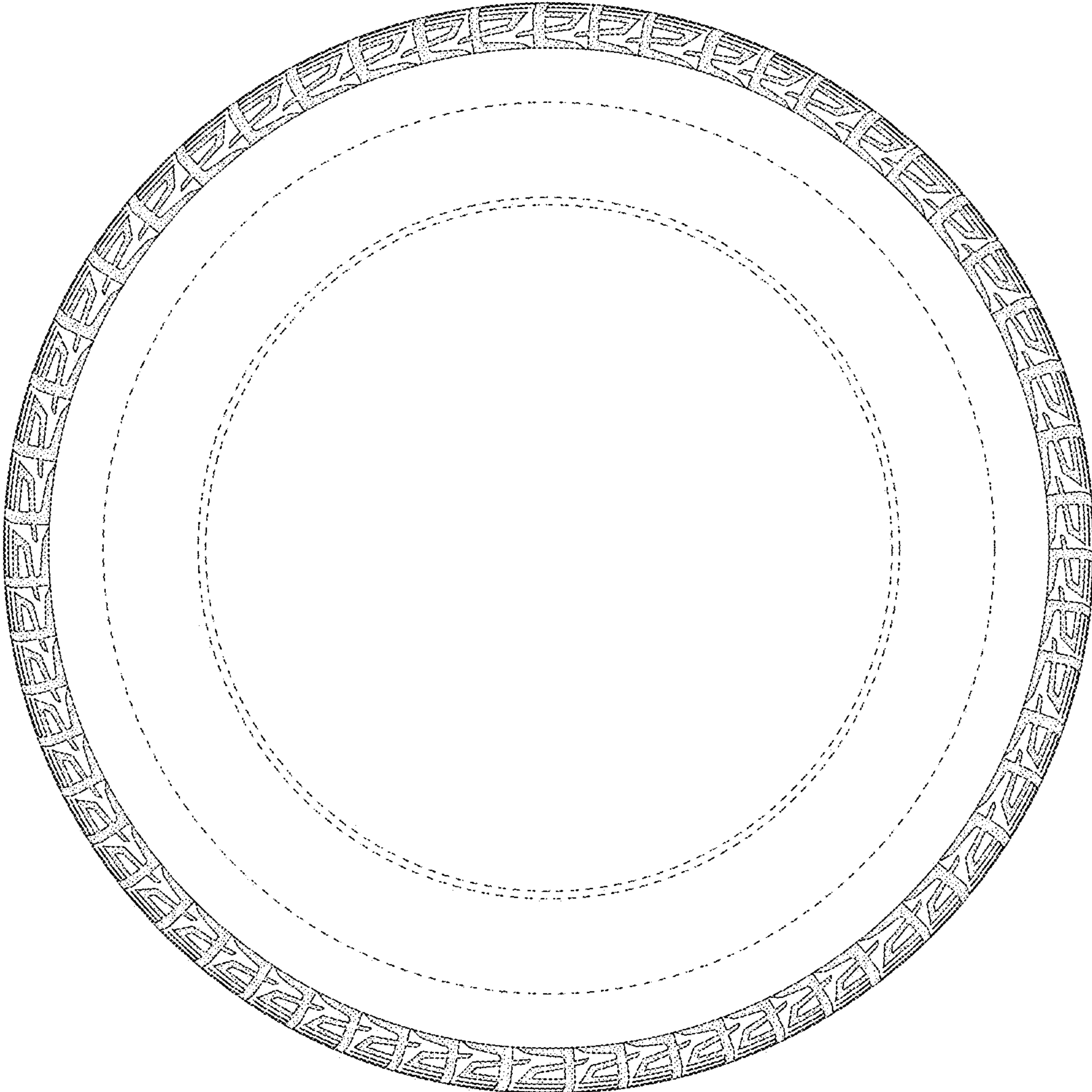
**FIG. 2**



**FIG. 3**

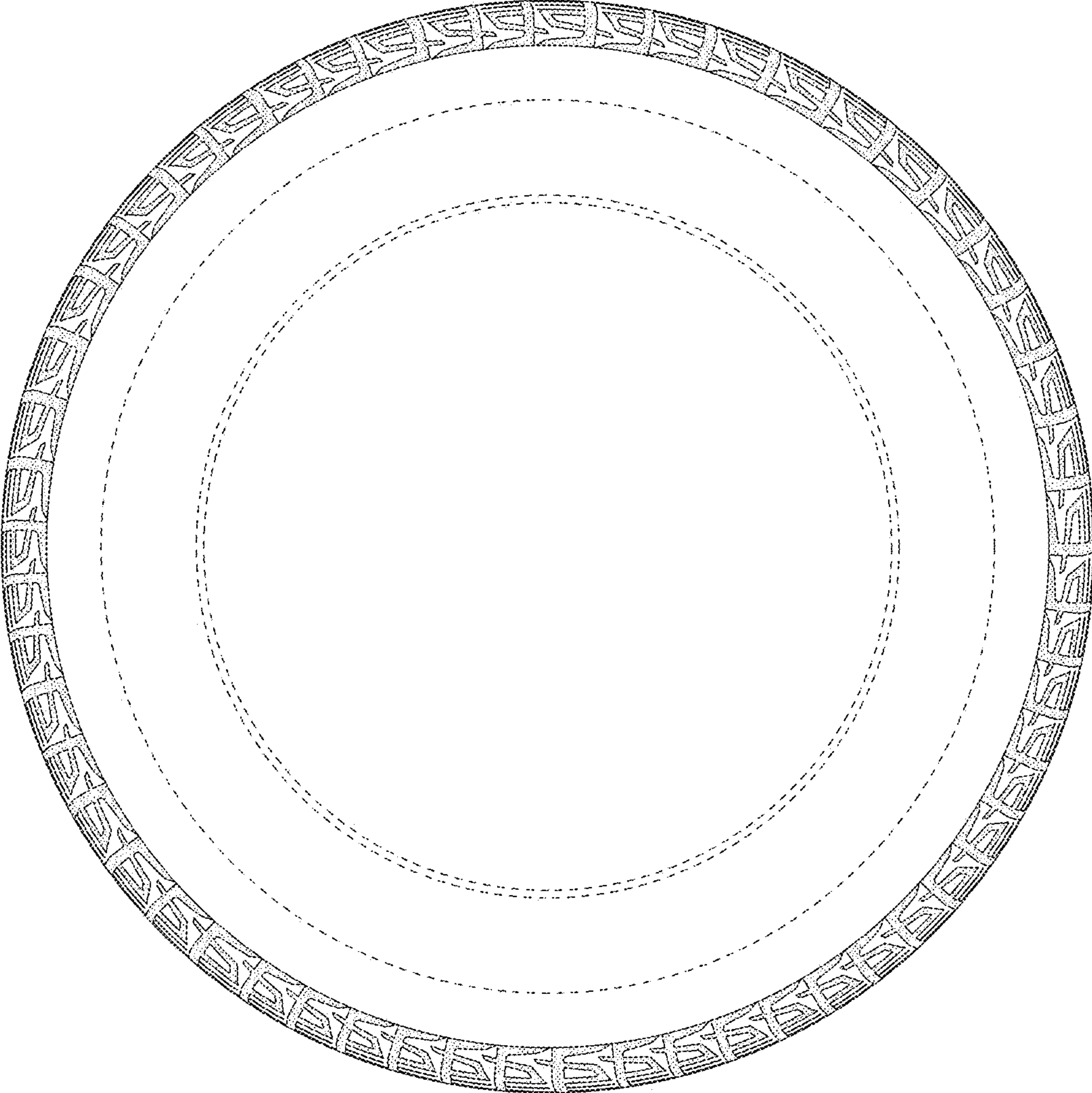


**FIG. 4**

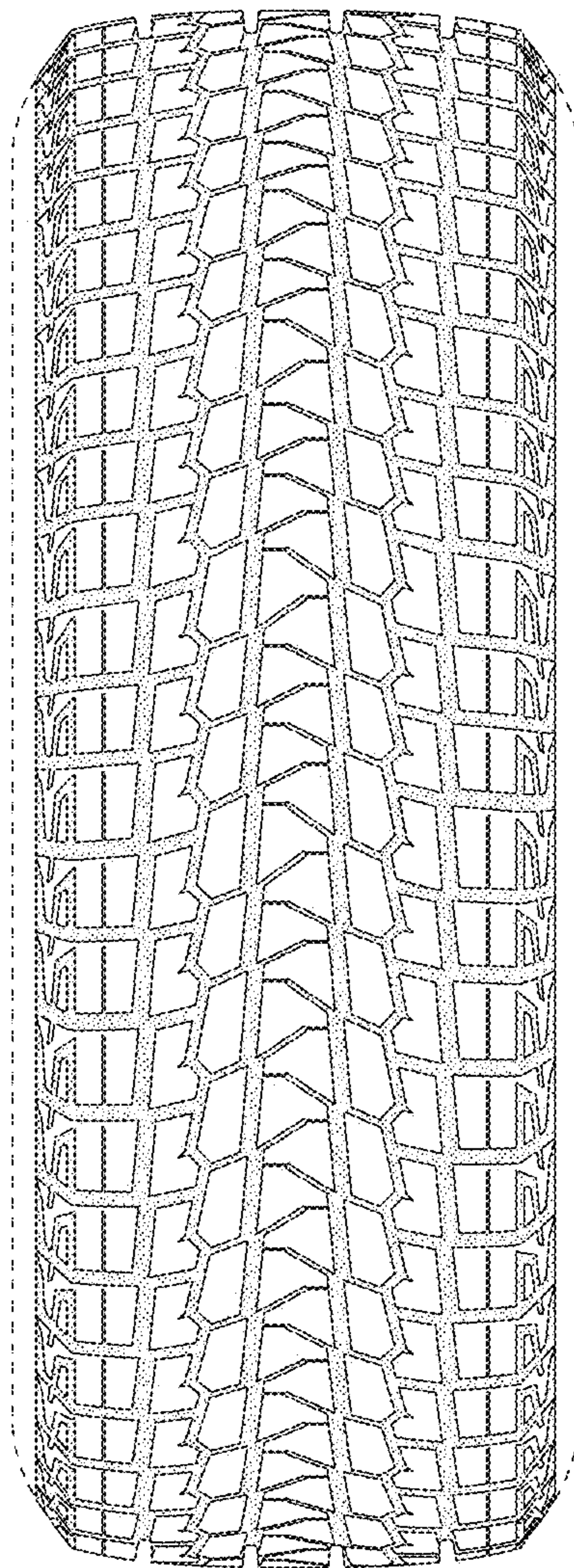




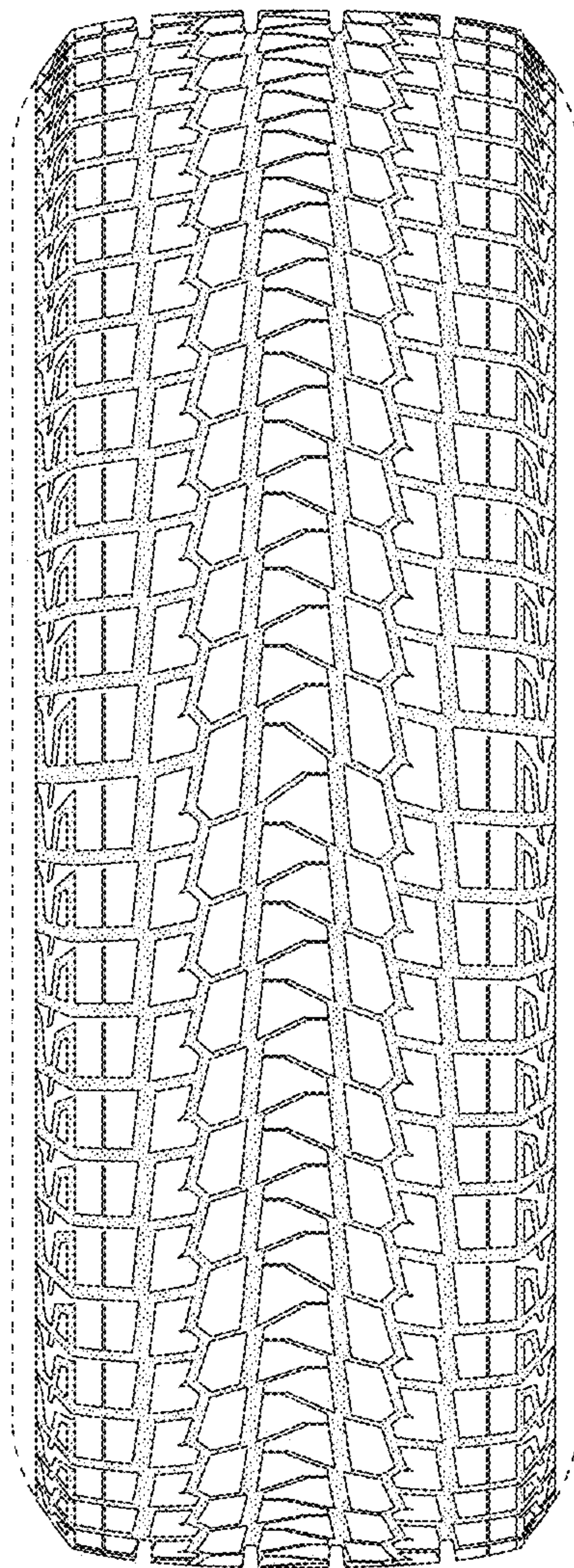
**FIG. 5**



**FIG. 6**



**FIG. 7**





**FIG. 8**

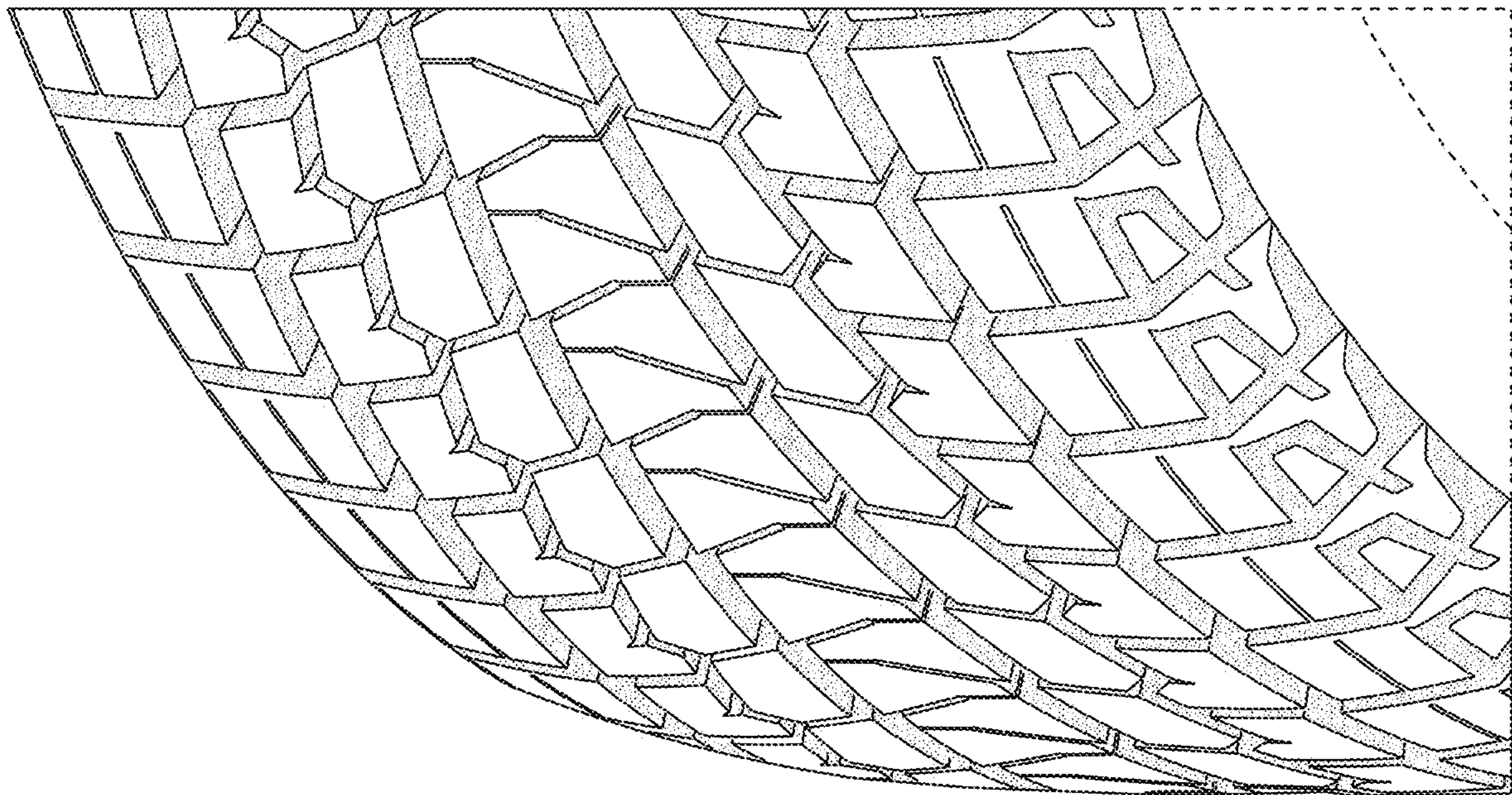
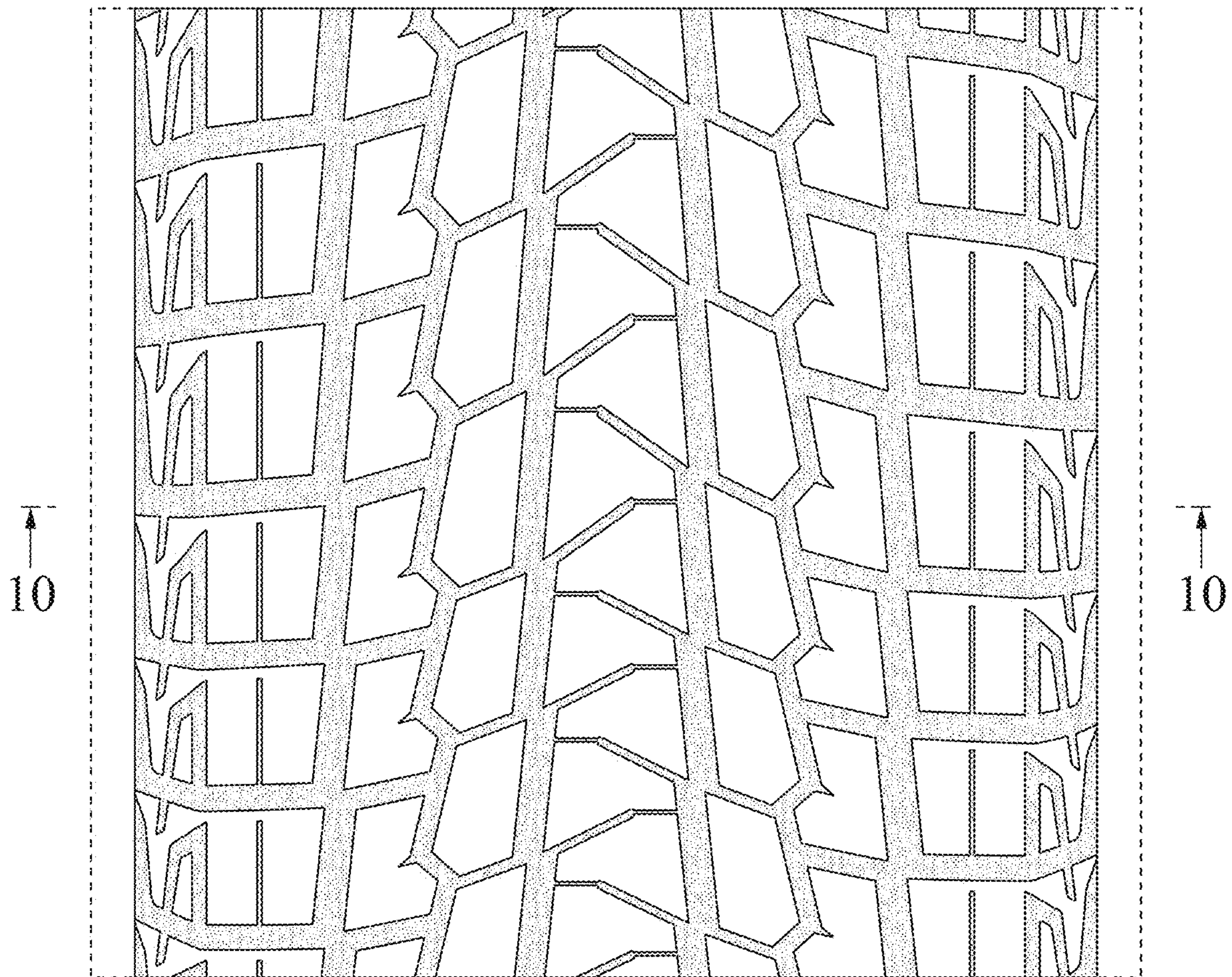


FIG. 9





**FIG. 10**

