



US00D884578S

(12) **United States Design Patent**
Guo

(10) **Patent No.:** **US D884,578 S**

(45) **Date of Patent:** **** May 19, 2020**

(54) **ARMREST BOX**

(71) Applicant: **SHENZHEN SHENYUANXIN TECHNOLOGY CO., LTD**, Shenzhen, Guangdong (CN)

(72) Inventor: **Jinhao Guo**, Guangdong (CN)

(**) Term: **15 Years**

(21) Appl. No.: **29/717,145**

(22) Filed: **Dec. 16, 2019**

(51) **LOC (12) Cl.** **12-16**

(52) **U.S. Cl.**
USPC **D12/425**

(58) **Field of Classification Search**
USPC D12/415, 416, 421, 424, 425; D6/702, D6/704, 716.2, 574
CPC B60R 7/043; B60R 2001/007
See application file for complete search history.

(56) **References Cited**

U.S. PATENT DOCUMENTS

D373,754 S * 9/1996 Pinterpe D12/424
D415,732 S * 10/1999 Latham D12/419

D454,533 S * 3/2002 Benson D12/425
D474,733 S * 5/2003 Webb D12/419
D540,738 S * 4/2007 Hatch D12/415
D795,789 S * 8/2017 Ehtesham D12/425
D810,562 S 2/2018 Augustyniak et al.
D856,264 S * 8/2019 Kemerer D12/416

* cited by examiner

Primary Examiner — Deanna L Pratt

(74) *Attorney, Agent, or Firm* — Jie Yang; ZANIP

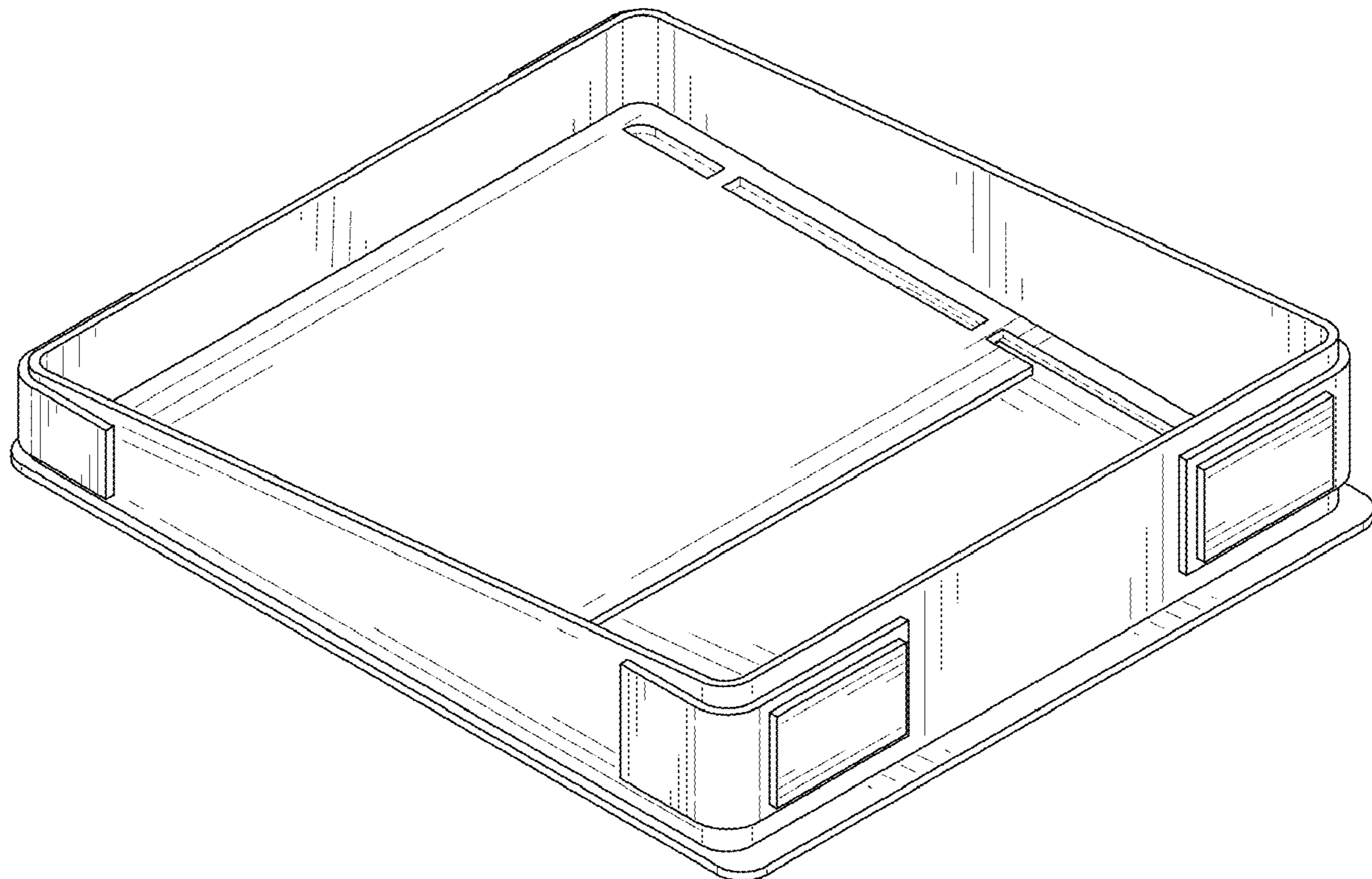
(57) **CLAIM**

The ornamental design for an armrest box, as shown and described.

DESCRIPTION

FIG. 1 is a rear and top perspective view of an armrest box, showing my new design;
FIG. 2 is a front and bottom perspective view thereof;
FIG. 3 is a front elevational view thereof;
FIG. 4 is a rear elevational view thereof;
FIG. 5 is a left side elevational view thereof;
FIG. 6 is a right side elevational view thereof;
FIG. 7 is a top plan view thereof; and,
FIG. 8 is a bottom plan view thereof.
The broken lines in the figures illustrate portions of the armrest box that form no part of the claimed design.

1 Claim, 8 Drawing Sheets



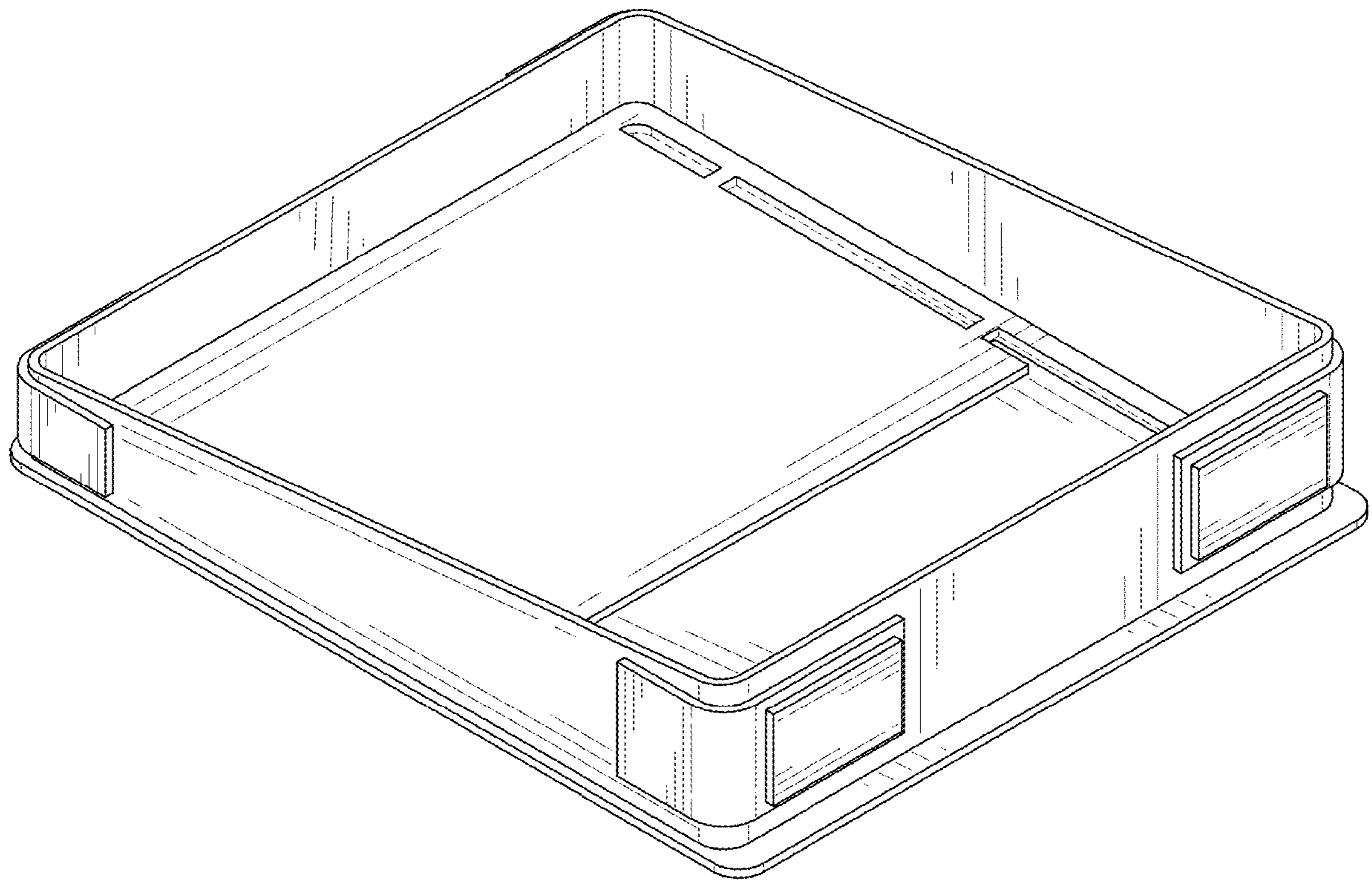


FIG. 1

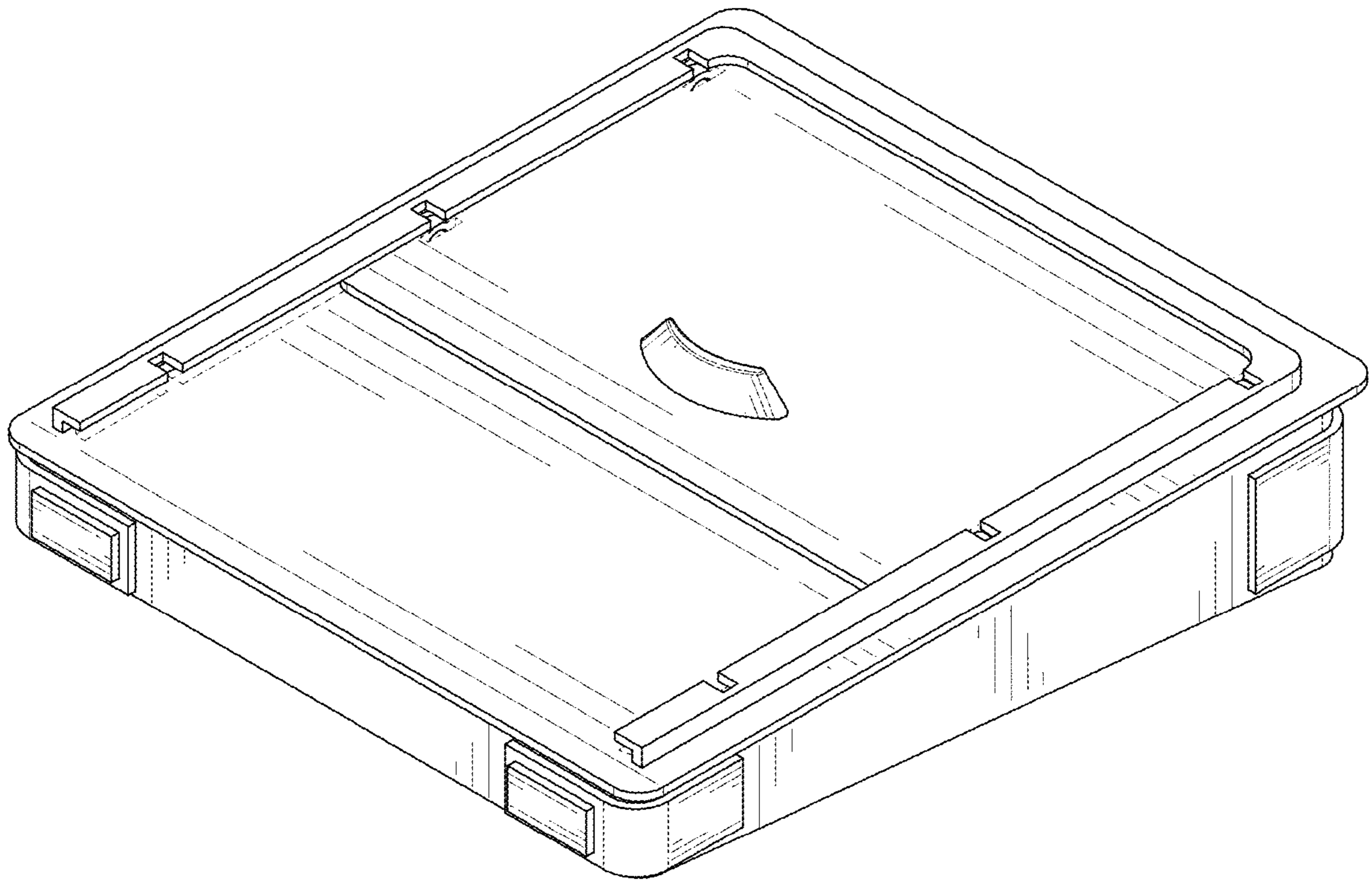


FIG. 2

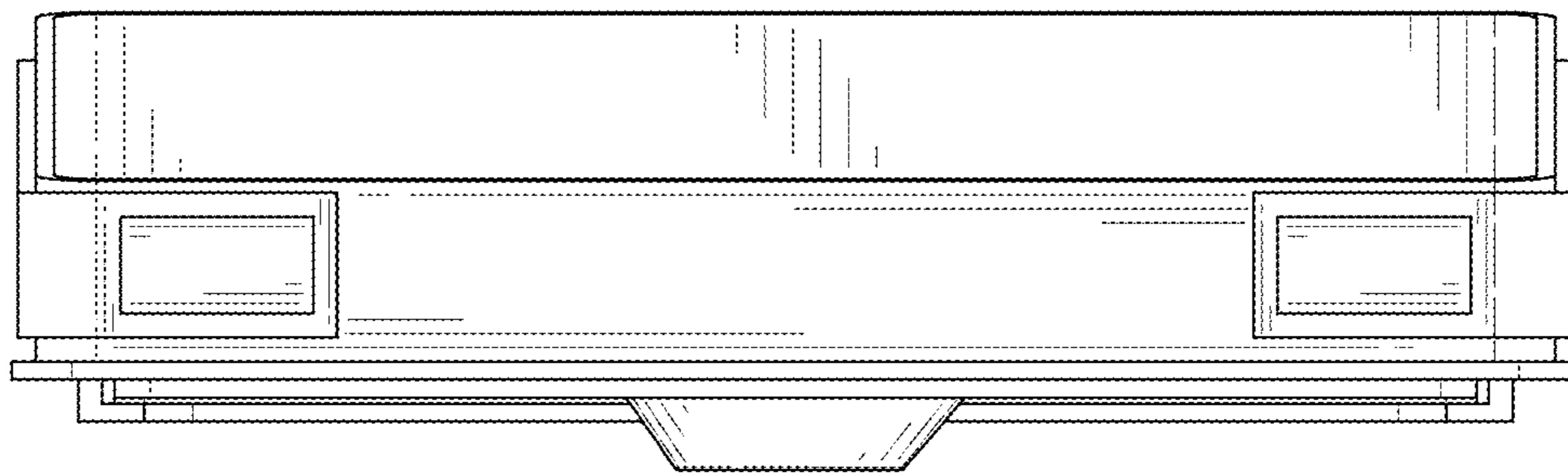


FIG. 3

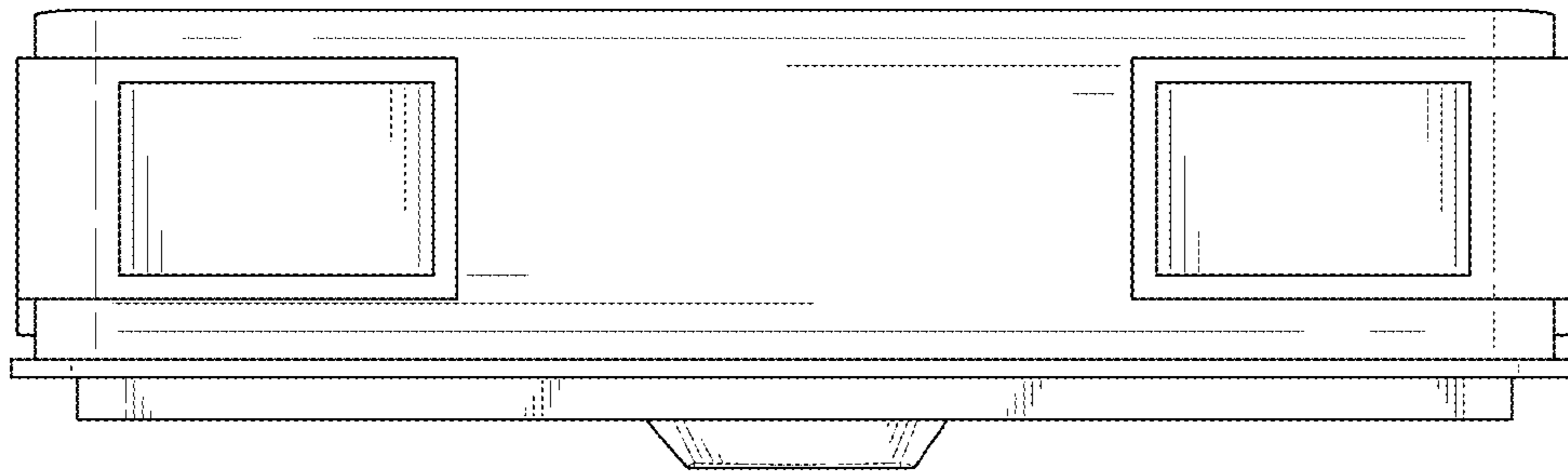


FIG. 4

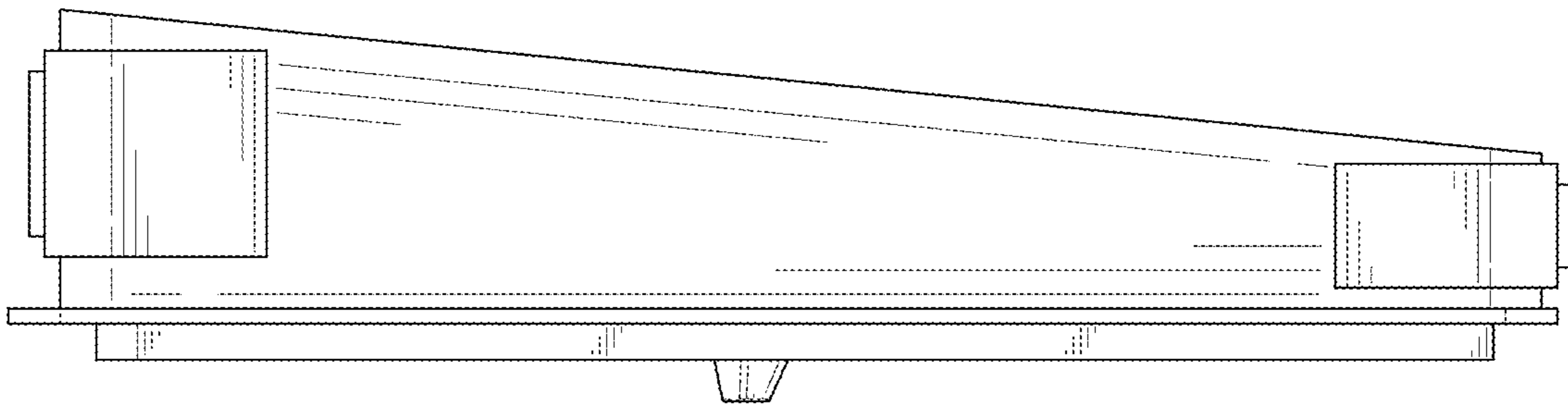


FIG. 5

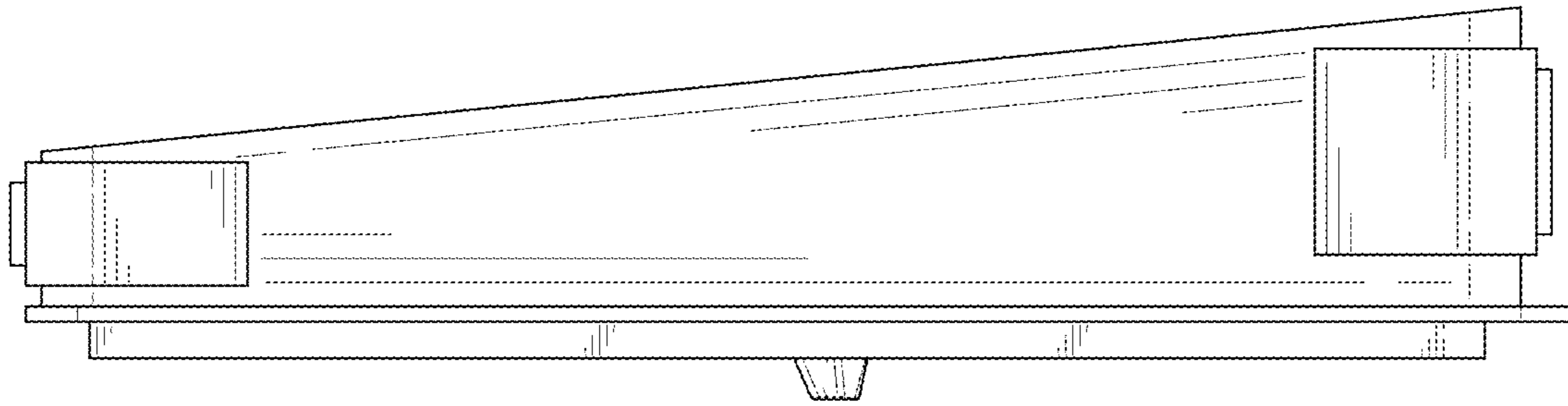


FIG. 6

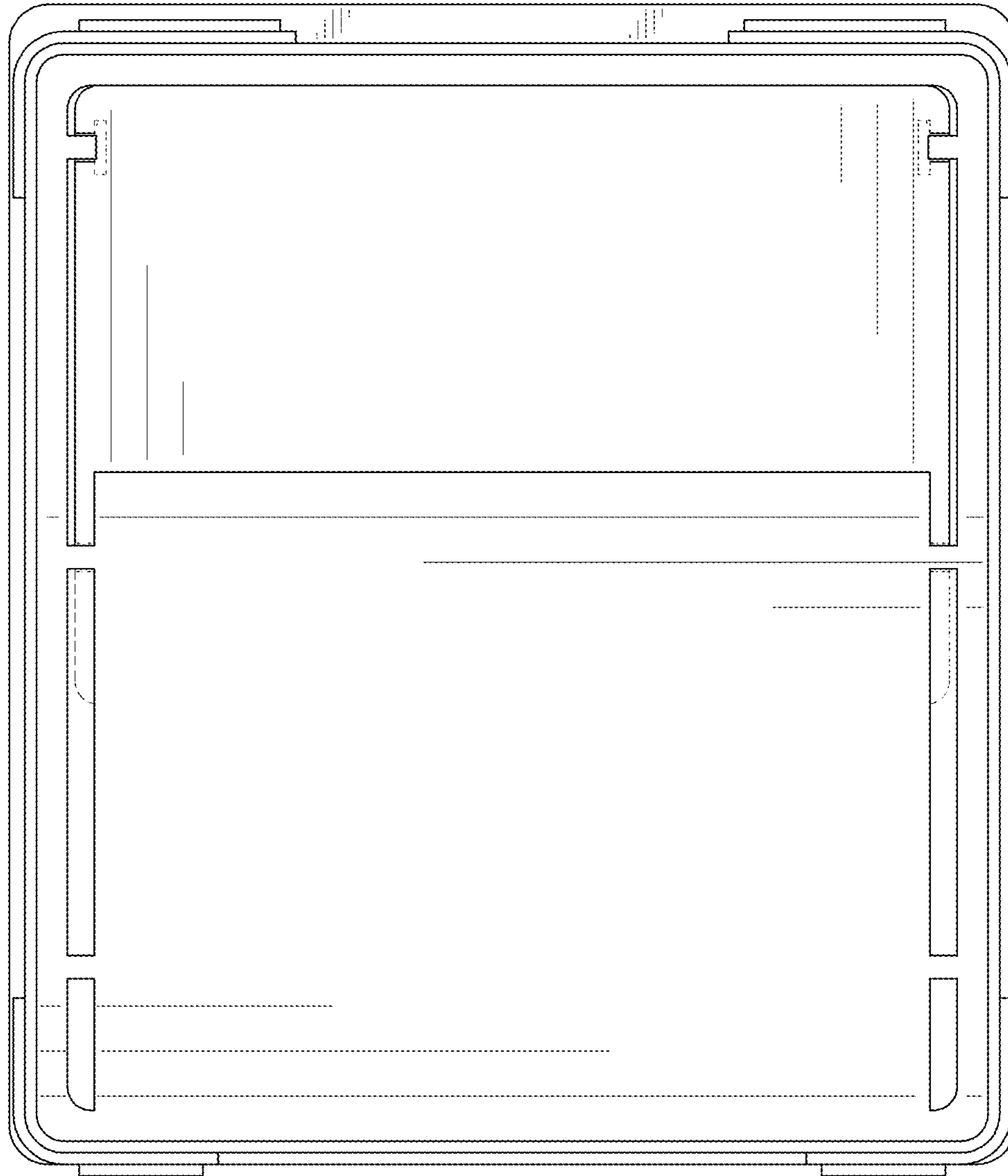


FIG. 7

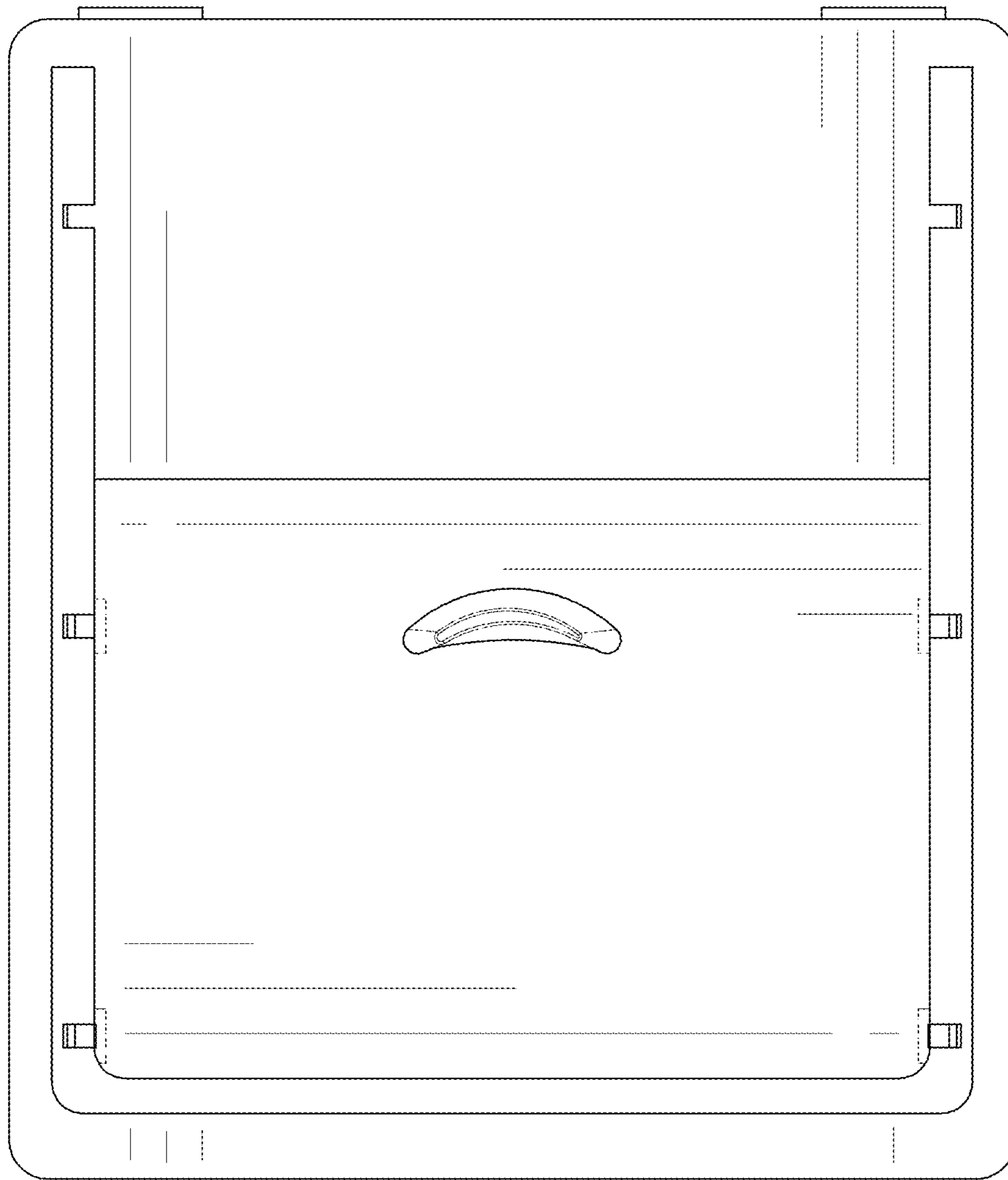


FIG. 8