



US00D884577S

(12) **United States Design Patent** (10) **Patent No.:** **US D884,577 S**  
**Nusbaum et al.** (45) **Date of Patent:** **\*\* May 19, 2020**

(54) **RACK DOLLY FITTING**

OTHER PUBLICATIONS

(71) Applicant: **HOLLYWOOD ENGINEERING, INC.**, Los Angeles, CA (US)  
(72) Inventors: **Neil Nusbaum**, Culver City, CA (US); **Sammy Collar**, Culver City, CA (US)  
(73) Assignee: **HOLLYWOOD ENGINEERING, INC.**, Los Angeles, CA (US)

Archives.bridgesmathart.org. "The Mathematics of Mitering and Its Artful Application" Published Jul. 2008. Retrieved Sep. 12, 2019. (<http://archive.bridgesmathart.org/2008/bridges2008-225.pdf>).  
Amazon.com. "9000, 1"x1" Quick Frame Tube Profile x72" First reviewed Jul. 23, 2015. Retrieved Sep. 11, 2019. (<https://www.amazon.com/9000-Quick-Frame-Tube-Profile/dp/B00C7503ZO/>).

\* cited by examiner

(\*\*) Term: **15 Years**

*Primary Examiner* — Susan E Krakower  
*Assistant Examiner* — Jerry Shiuan-Hua Hsu

(21) Appl. No.: **29/588,852**

(74) *Attorney, Agent, or Firm* — Hankin Patent Law, APC; Kevin Schraven; Anooj Patel

(22) Filed: **Dec. 23, 2016**

(51) **LOC (12) Cl.** ..... **12-16**

(57) **CLAIM**

(52) **U.S. Cl.**  
USPC ..... **D12/408**; D12/105

The ornamental design for the rack dolly fitting, as shown and described.

(58) **Field of Classification Search**  
USPC ..... D12/105, 159, 160, 161, 162, 408  
CPC ... B60D 1/00; B60D 1/06; B60D 1/60; B60D 1/65

**DESCRIPTION**

See application file for complete search history.

FIG. 1 is a top perspective view of the rack dolly fitting showing our new design.  
FIG. 2 is a bottom perspective view thereof.  
FIG. 3 is a front elevational view thereof.  
FIG. 4 is a rear elevational view thereof.  
FIG. 5 is a left side elevational view thereof.  
FIG. 6 is a right side elevational view thereof.  
FIG. 7 is a top plan view thereof; and,  
FIG. 8 is a bottom plan view thereof.

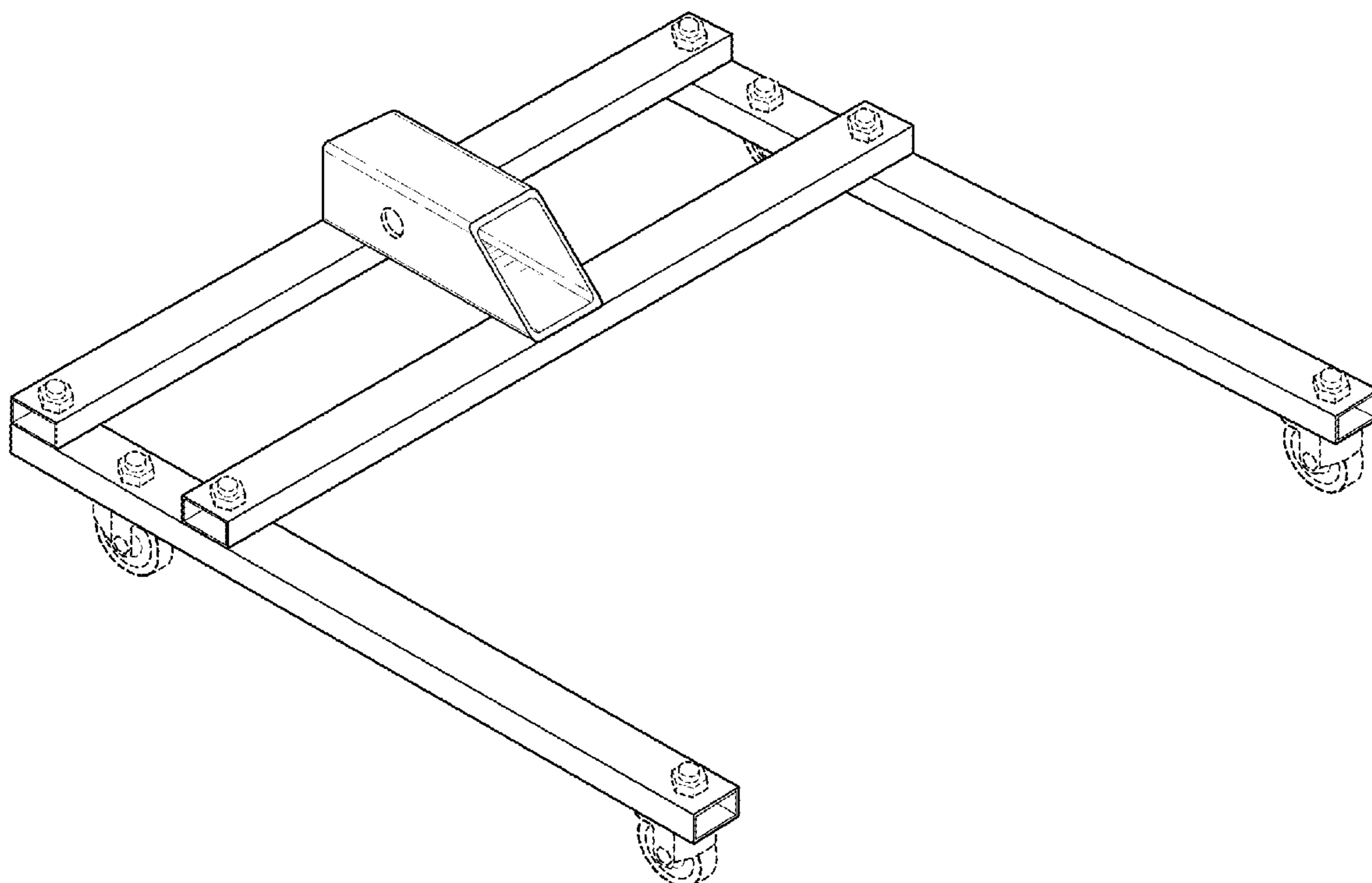
The broken lines showing the castors, nuts and bolts, and circular broken lines on the fitting, illustrate portions of the rack dolly fitting that form no part of the claimed design.

(56) **References Cited**

U.S. PATENT DOCUMENTS

5,884,930	A *	3/1999	Cluth	.....	B60D 1/07
					224/519
D705,704	S *	5/2014	Lane	.....	D12/162
D708,554	S *	7/2014	Waldner	.....	D12/162
D748,538	S *	2/2016	Waldner	.....	D12/162
D749,020	S *	2/2016	McFarland	.....	D12/162
D797,008	S *	9/2017	Borkholder	.....	D12/162
D802,490	S *	11/2017	McFarland	.....	D12/162

**1 Claim, 8 Drawing Sheets**



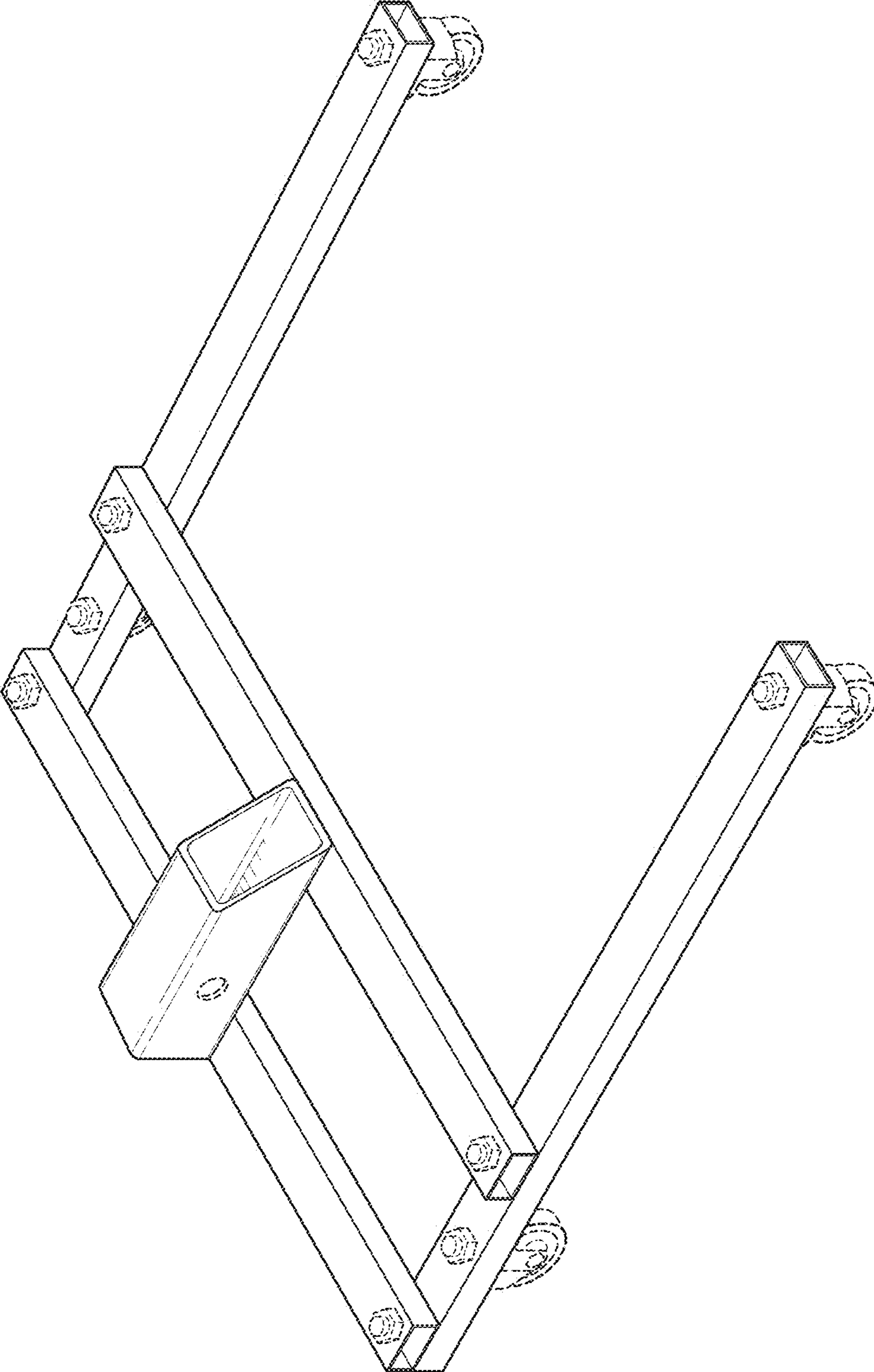


Fig. 1

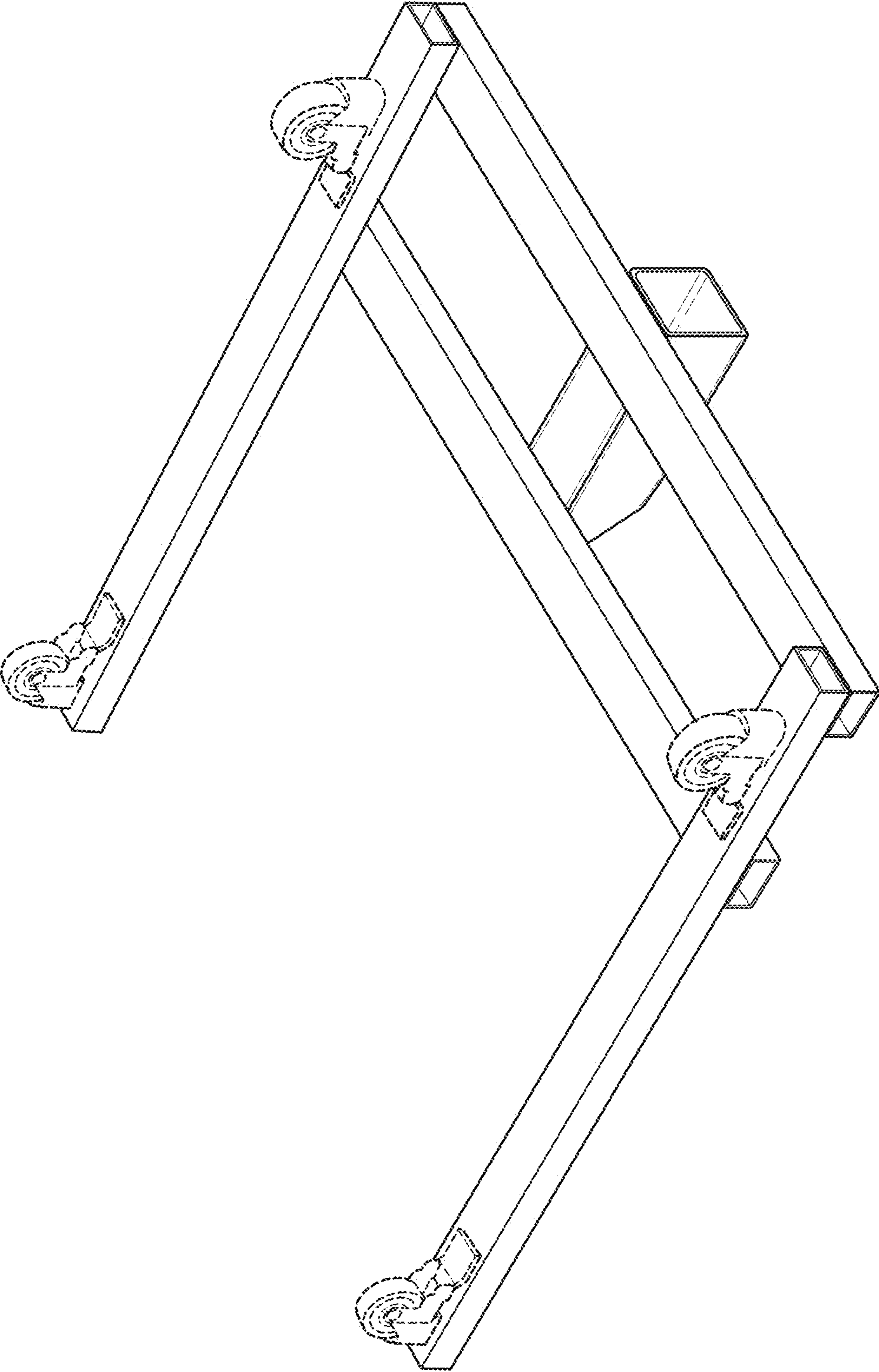


Fig.2

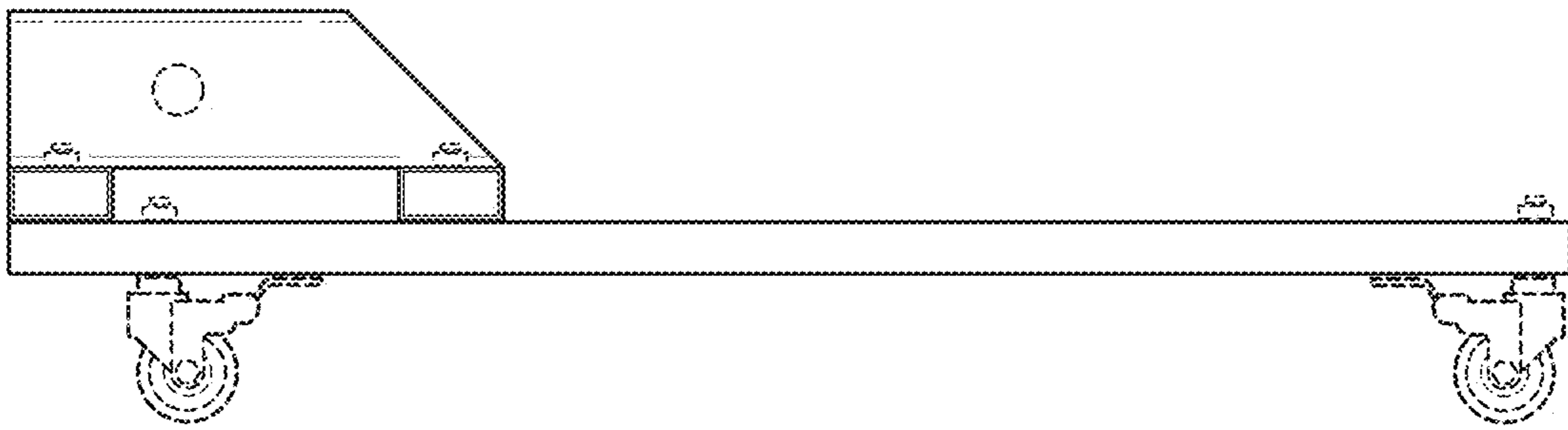


Fig.3

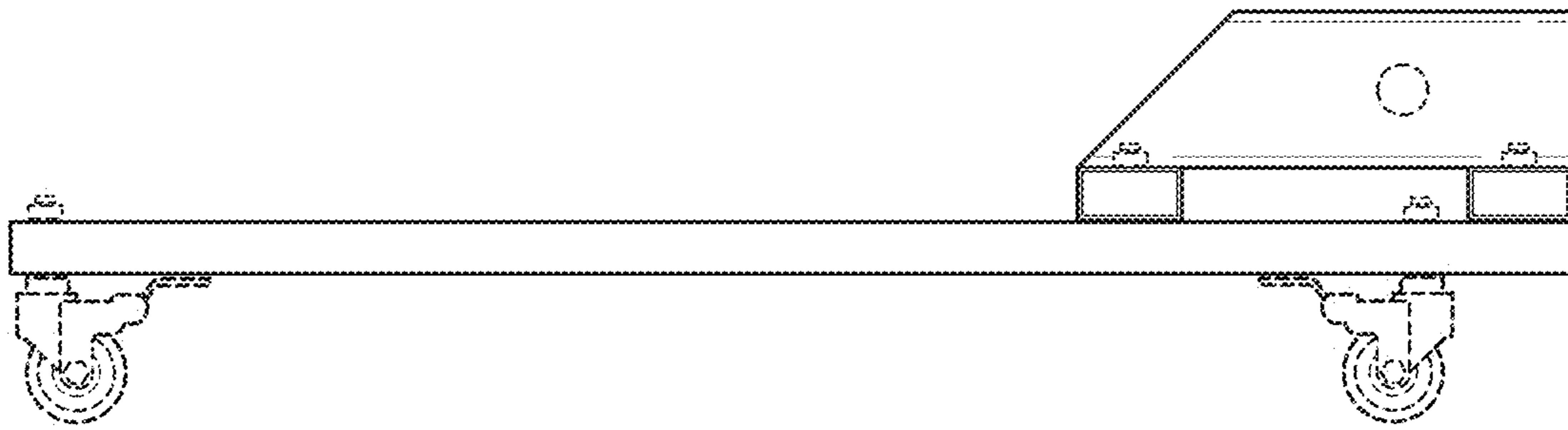


Fig.4

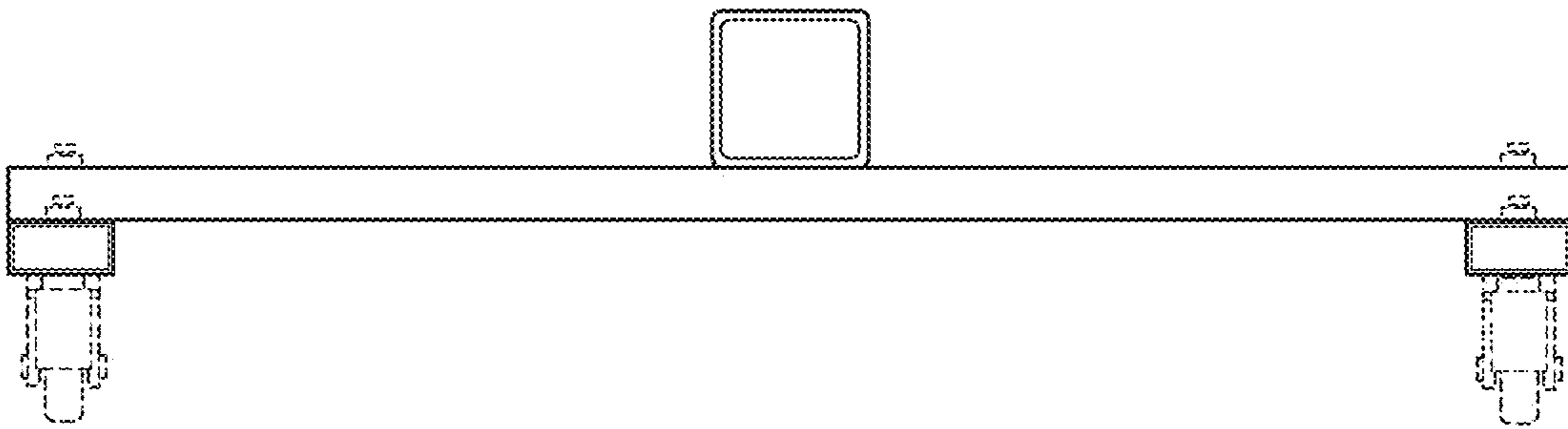


Fig.5

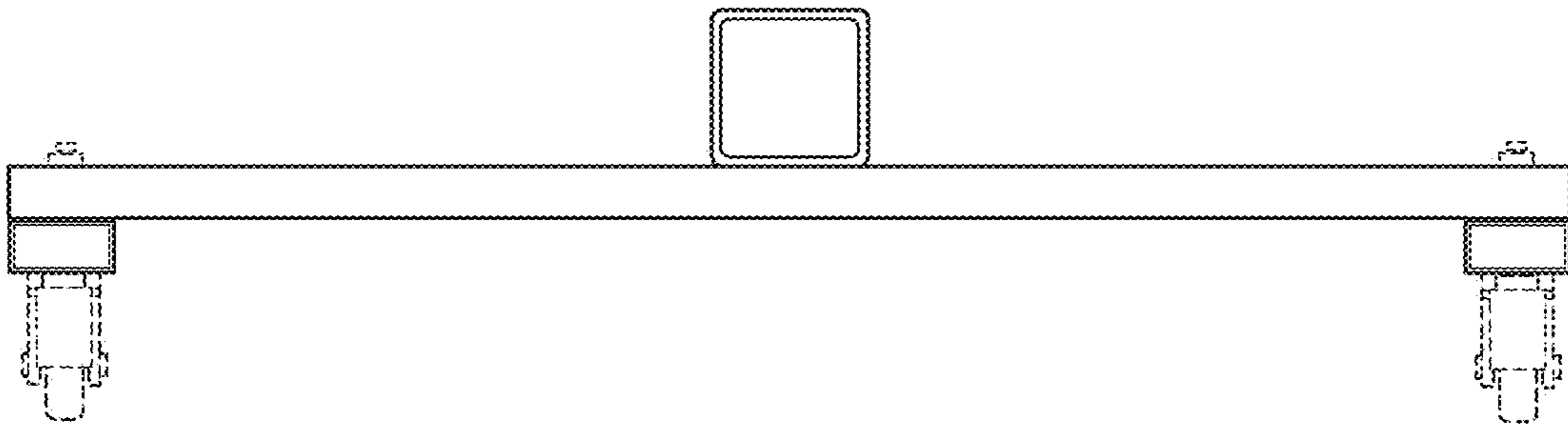


Fig.6



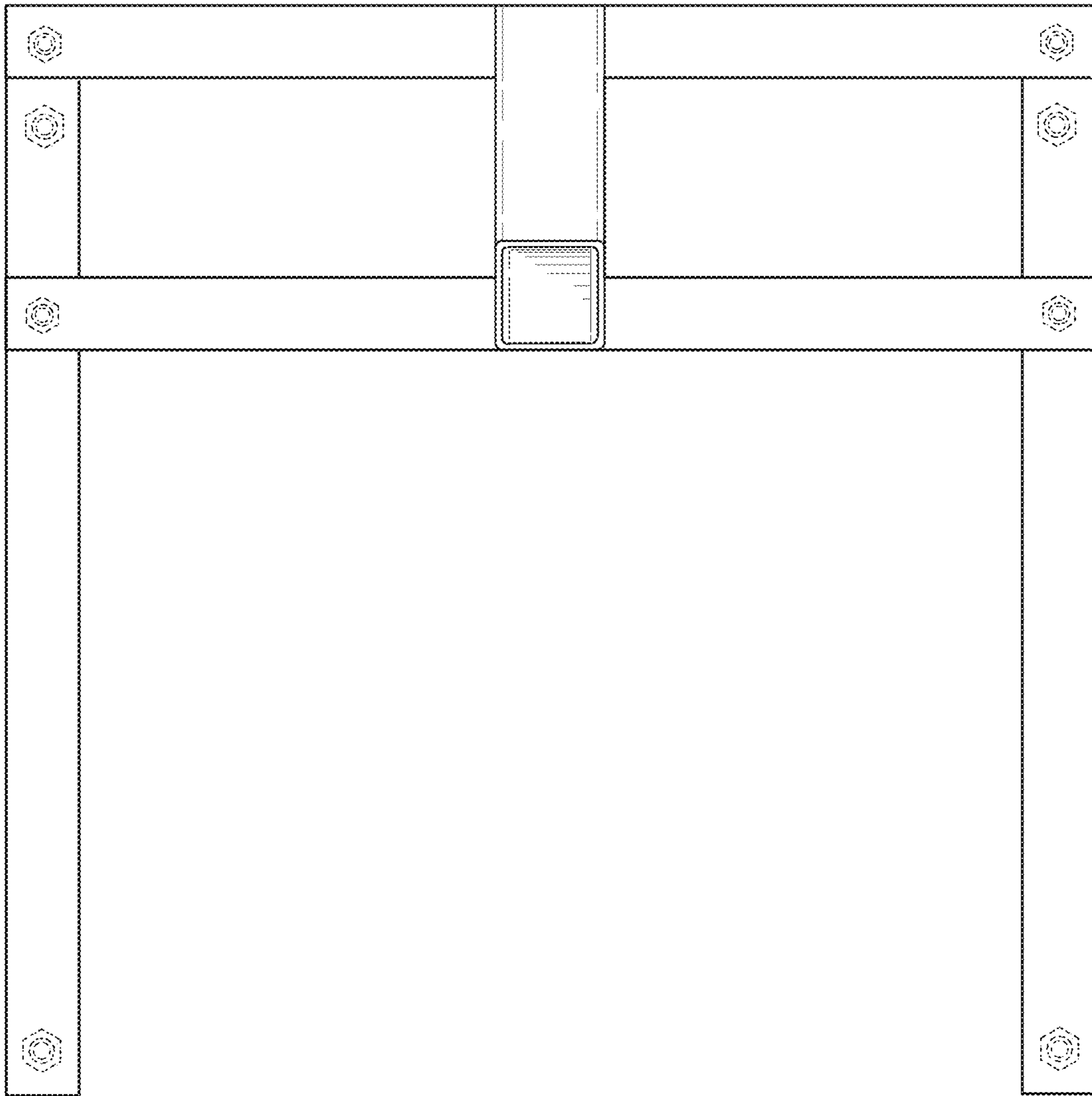


Fig. 7



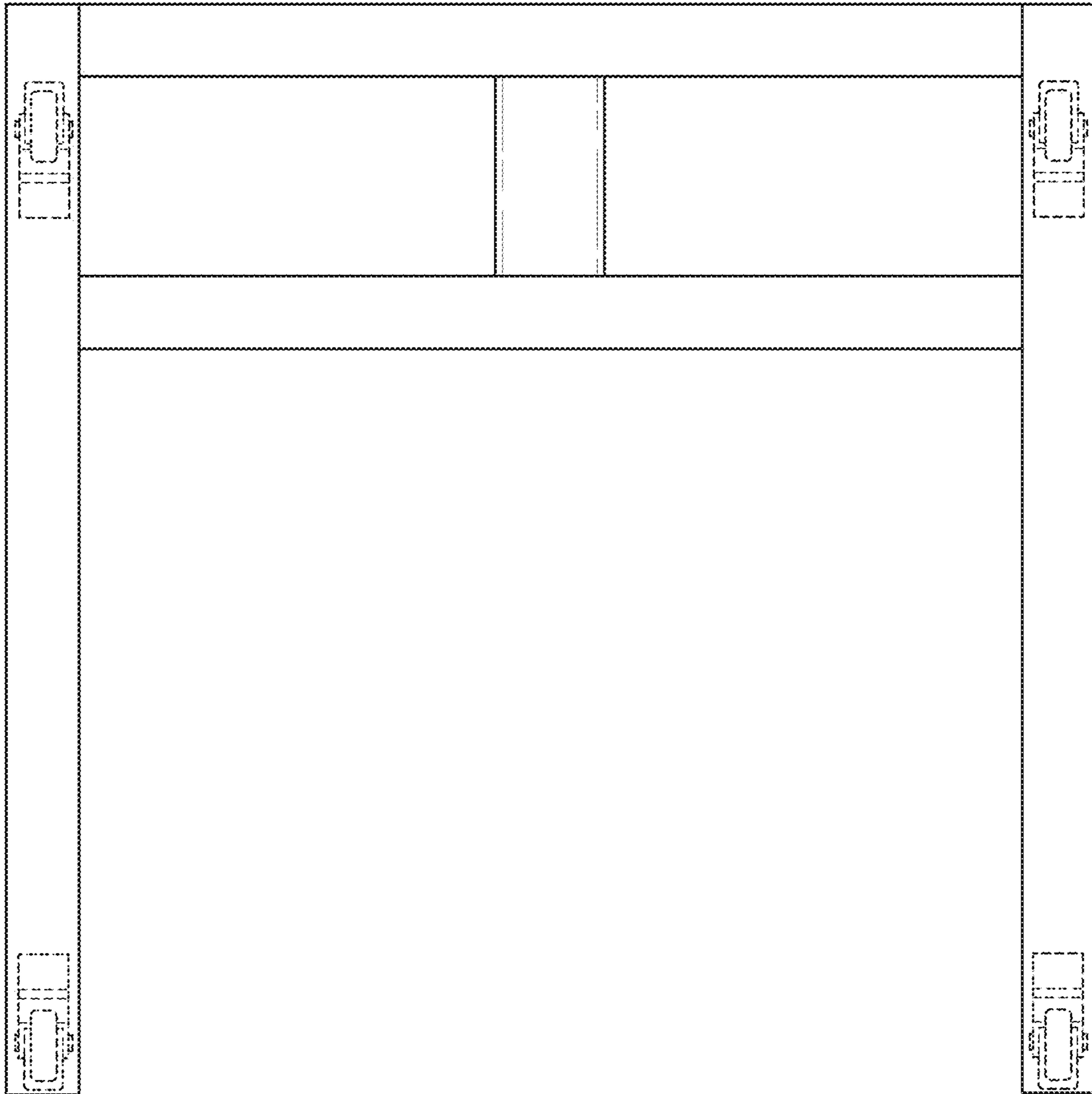


Fig. 8