



US00D884575S

(12) **United States Design Patent**
Rosello Visa

(10) **Patent No.:** **US D884,575 S**

(45) **Date of Patent:** **** May 19, 2020**

- (54) **VEHICLE WHEEL RIM**
- (71) Applicant: **AUDI AG**, Ingolstadt (DE)
- (72) Inventor: **Albert Rosello Visa**, Ingolstadt (DE)
- (73) Assignee: **AUDI AG**, Ingolstadt (DE)

D793,324 S *	8/2017	Valencia Pollex	D12/211
D813,781 S *	3/2018	Valencia Pollex	D12/209
D843,912 S *	3/2019	Metros	D12/209
D857,599 S *	8/2019	Trim	D12/211
D859,266 S *	9/2019	Valencia Pollex	D12/209
D875,017 S *	2/2020	Valencia Pollex	D12/209
D877,021 S *	3/2020	Rosello Visa	D12/209
D878,997 S *	3/2020	Tian	D12/209

(**) Term: **15 Years**

* cited by examiner

(21) Appl. No.: **29/686,946**

(22) Filed: **Apr. 9, 2019**

Primary Examiner — Stacia A Cadmus

(30) **Foreign Application Priority Data**

(74) *Attorney, Agent, or Firm* — Lucas & Mercanti, LLP;
Klaus P. Stoffel

Feb. 26, 2019 (EM) 006 267 233

(51) **LOC (12) Cl.** **12-16**

(52) **U.S. Cl.**
USPC **D12/209**

(58) **Field of Classification Search**
USPC D12/204–213; D21/563
CPC B60B 7/00; B60B 7/02; B60B 7/04; B60B
7/01; B60B 7/06; B60B 3/02; B60B 3/04;
B60B 3/06; B60B 3/10; B60B 1/00;
B60B 1/08; B60B 1/10; B60B 1/12
See application file for complete search history.

(57) **CLAIM**

The ornamental design for a vehicle wheel rim, as shown and described.

(56) **References Cited**

U.S. PATENT DOCUMENTS

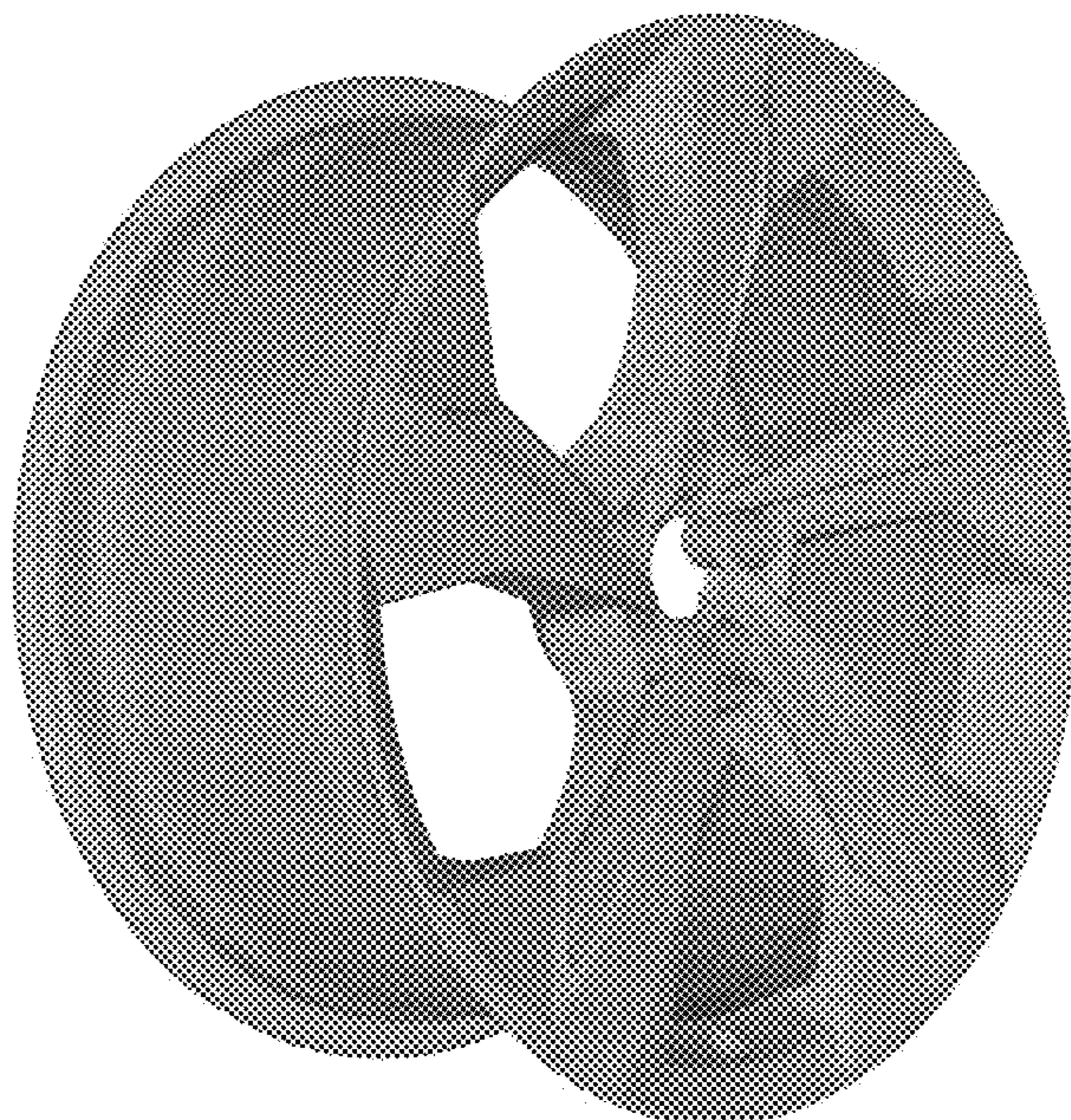
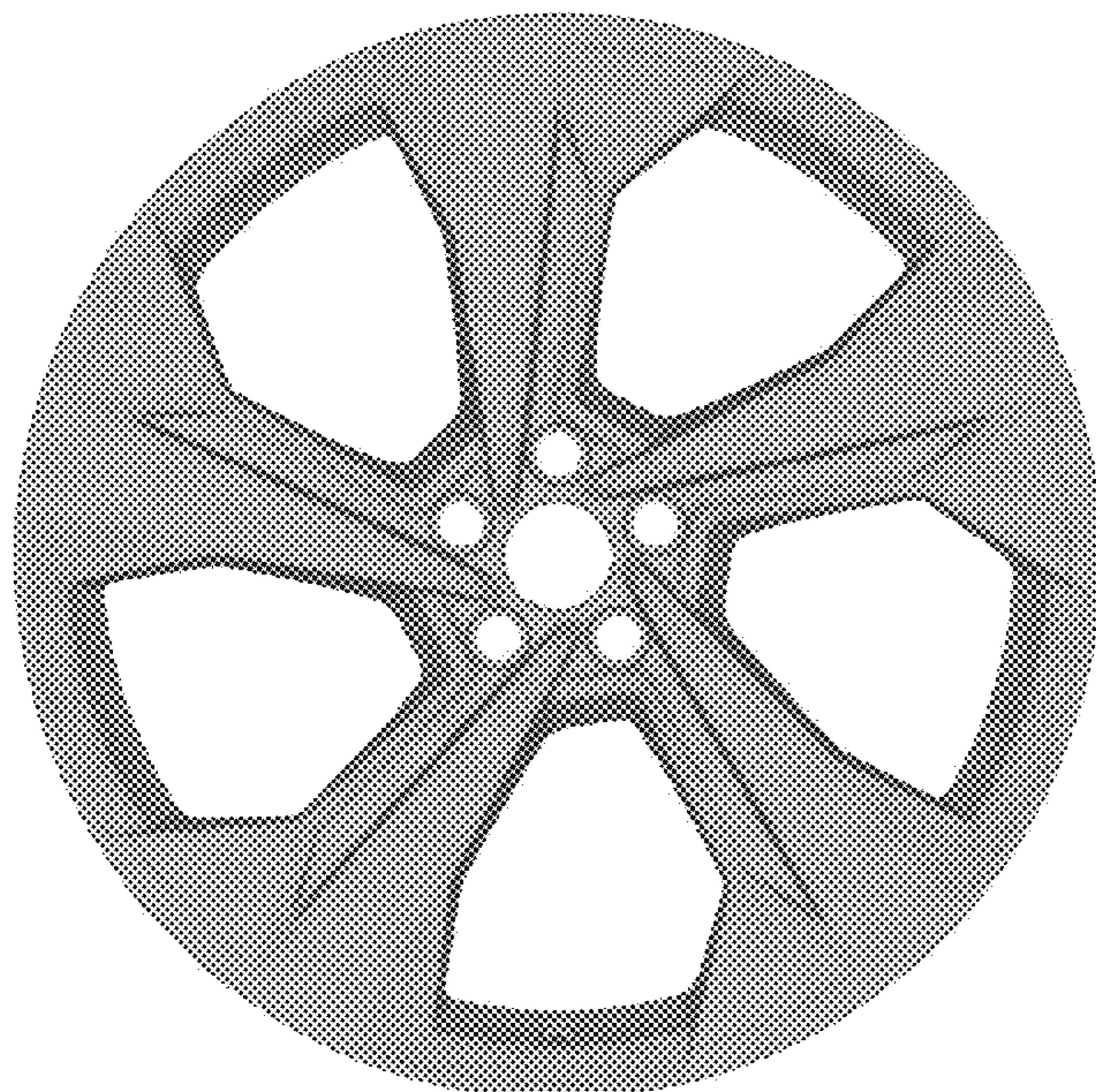
D764,373 S *	8/2016	Valencia Pollex	D12/211
D783,491 S *	4/2017	Valencia Pollex	D12/209
D793,321 S *	8/2017	Valencia Pollex	D12/209

DESCRIPTION

FIG. 1 is a front view of the vehicle wheel rim of the present invention; and,

FIG. 2 is a front, side perspective view thereof.

1 Claim, 2 Drawing Sheets



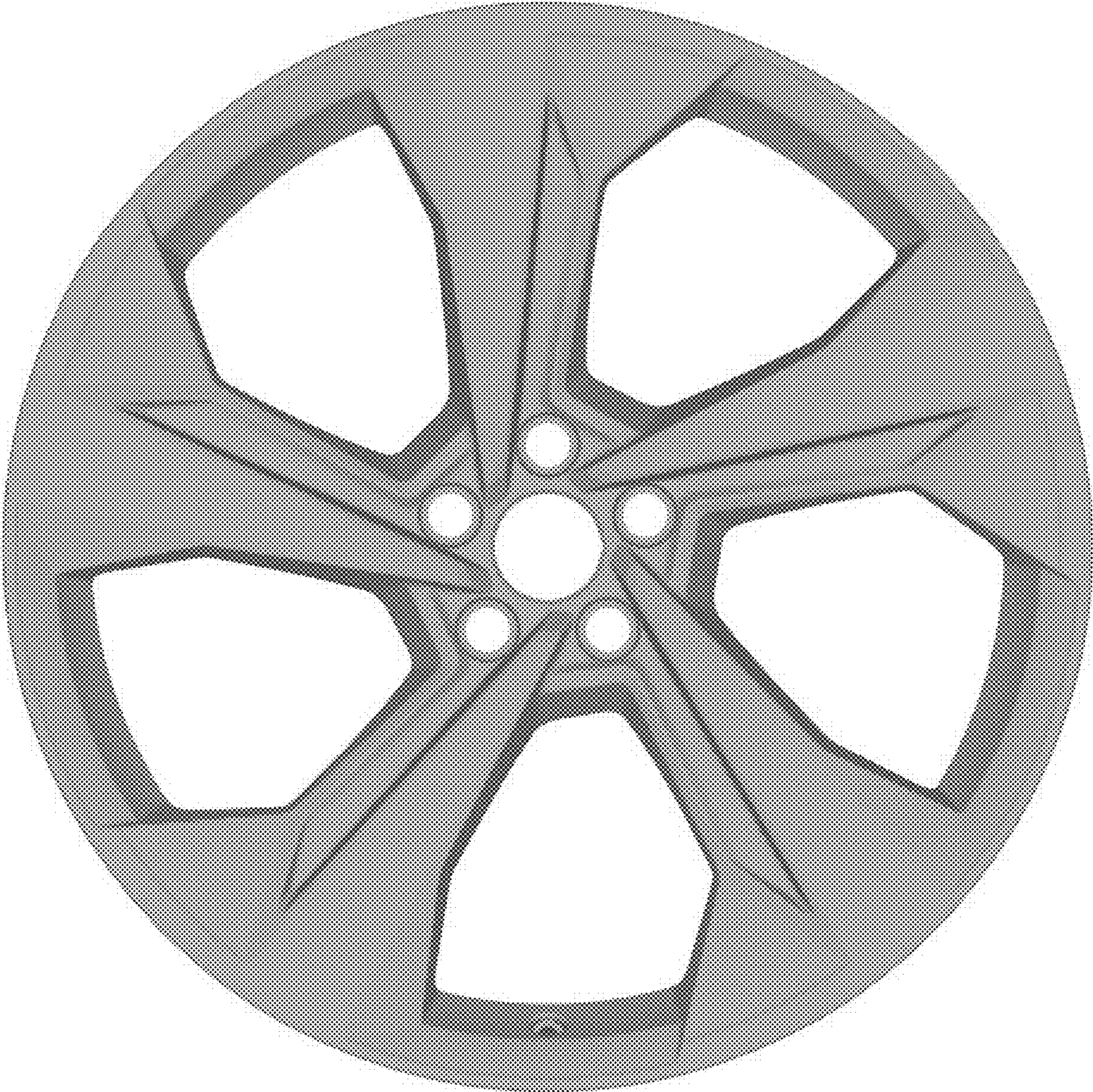


Fig. 1



Fig. 2