



US00D884568S

(12) **United States Design Patent**  
**Curtin**

(10) **Patent No.:** **US D884,568 S**

(45) **Date of Patent:** **\*\* May 19, 2020**

(54) **BRAKE INSERT**

(71) Applicant: **DEKA Products Limited Partnership**,  
Manchester, NH (US)

(72) Inventor: **Paul R. Curtin**, Londonderry, NH (US)

(73) Assignee: **DEKA Products Limited Partnership**,  
Manchester, NH (US)

(\*\*) Term: **15 Years**

(21) Appl. No.: **29/664,447**

(22) Filed: **Sep. 25, 2018**

**Related U.S. Application Data**

(63) Continuation-in-part of application No. 16/035,205,  
filed on Jul. 13, 2018, and a continuation-in-part of  
application No. 29/610,809, filed on Jul. 15, 2017,  
now Pat. No. Des. 833,930.

(51) **LOC (12) Cl.** ..... **12-16**

(52) **U.S. Cl.**  
USPC ..... **D12/180**

(58) **Field of Classification Search**  
USPC ..... D12/123, 177, 179, 180  
CPC . B60K 15/0406; F16D 55/227; F16D 55/226;  
F16F 15/12313; H01H 33/66261; F16H  
48/08; E05B 9/086; A44B 17/0023; F16B  
2/241; C23C 14/0641

See application file for complete search history.

(56) **References Cited**

**U.S. PATENT DOCUMENTS**

5,123,972 A 6/1992 Ostrander  
6,446,320 B2 9/2002 Kilgore

D576,932 S *	9/2008	Strehler	.....	D12/180
D610,058 S *	2/2010	Wilson	.....	D12/177
D619,945 S	7/2010	Sadanowicz		
8,269,130 B2	9/2012	Mangan		
8,572,822 B2	11/2013	Hasegawa		
D721,315 S *	1/2015	Delavy	.....	D12/207
9,187,071 B2	11/2015	Vinck		
9,309,692 B2	4/2016	Westwinkel		
9,400,044 B2	7/2016	Wadhva		
9,455,104 B1	9/2016	Leusenkamp		
D787,996 S	5/2017	Rode		
D793,930 S *	8/2017	Rode	.....	D12/180
D833,930 S *	11/2018	Curtin	.....	D12/180
D861,558 S *	10/2019	Huang	.....	D12/177
2009/0045025 A1	2/2009	Bassett		
2013/0146409 A1	6/2013	Boyle		
2016/0101685 A1	4/2016	Darpino		

\* cited by examiner

*Primary Examiner* — Karen S Acker

*Assistant Examiner* — Steven B Reinholdt, Jr.

(74) *Attorney, Agent, or Firm* — Kathleen Chapman

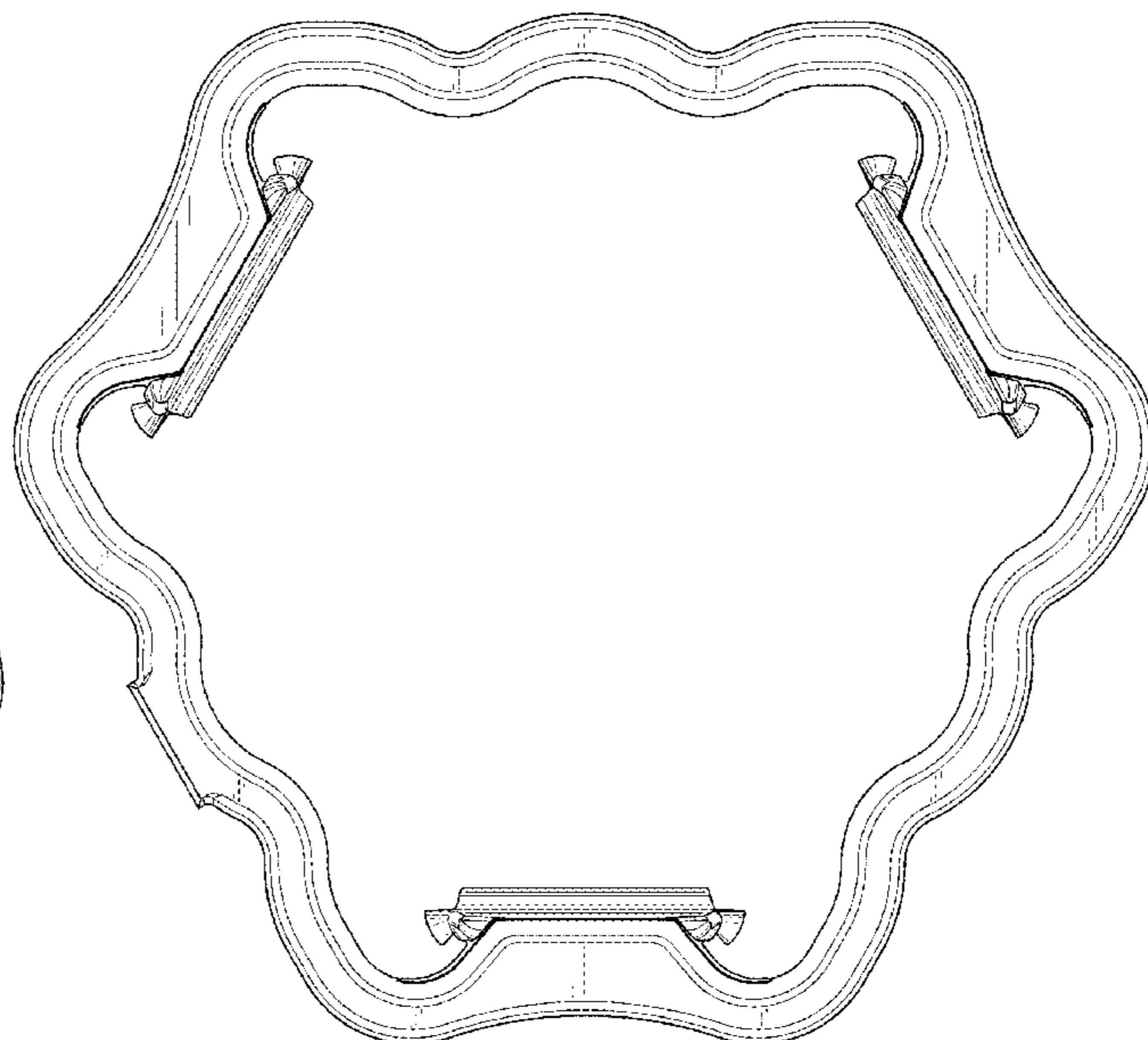
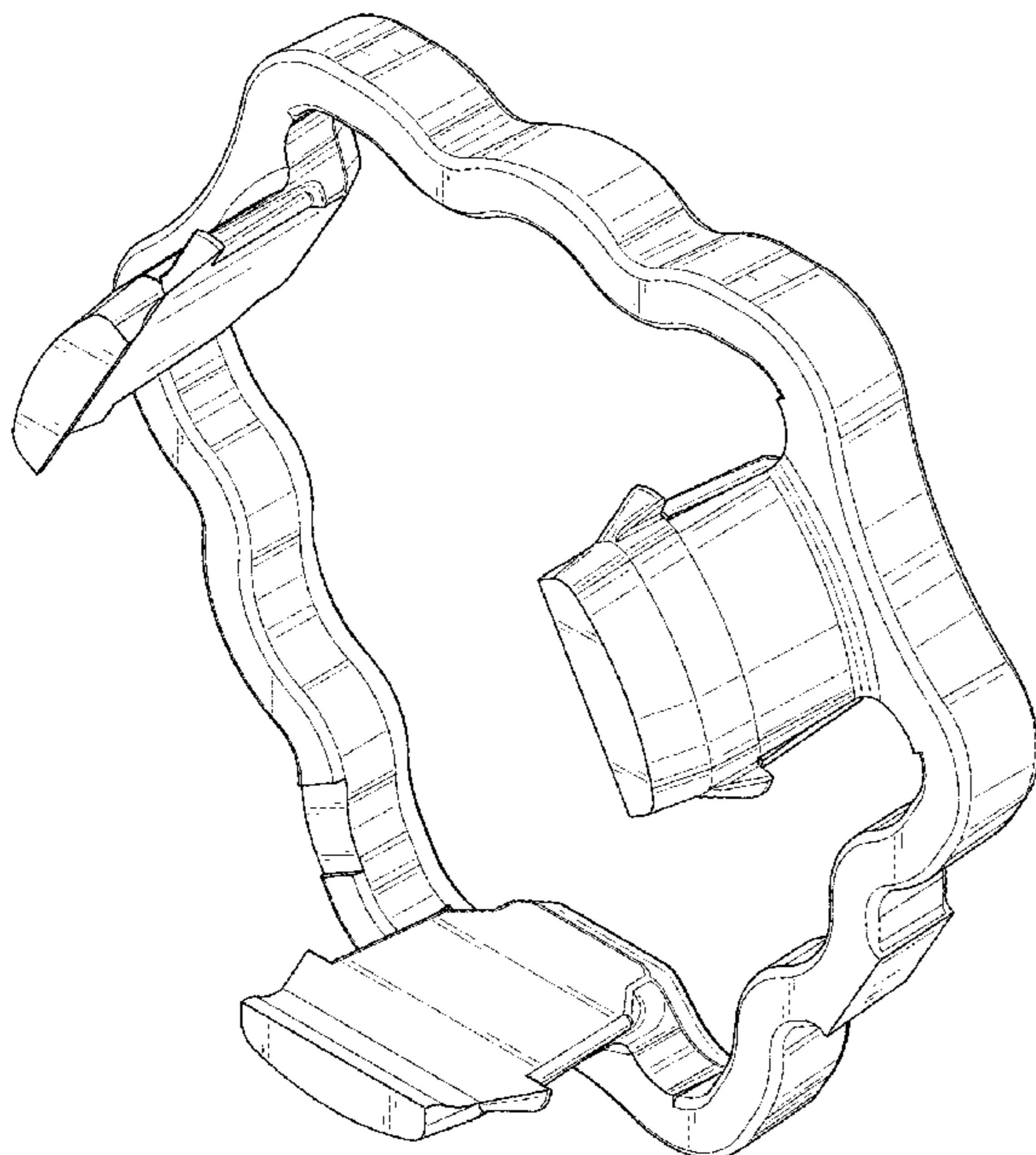
(57) **CLAIM**

The ornamental design of a brake insert, as shown and described.

**DESCRIPTION**

FIG. 1 is a rear, bottom, right side perspective view of the brake insert, showing my new design;  
FIG. 2 is a bottom plan view thereof;  
FIG. 3 is a top plan view thereof;  
FIG. 4 is a right side elevational view thereof;  
FIG. 5 is a left side elevational view thereof;  
FIG. 6 is a top side elevational view thereof; and,  
FIG. 7 is a bottom side elevational view thereof.

**1 Claim, 5 Drawing Sheets**



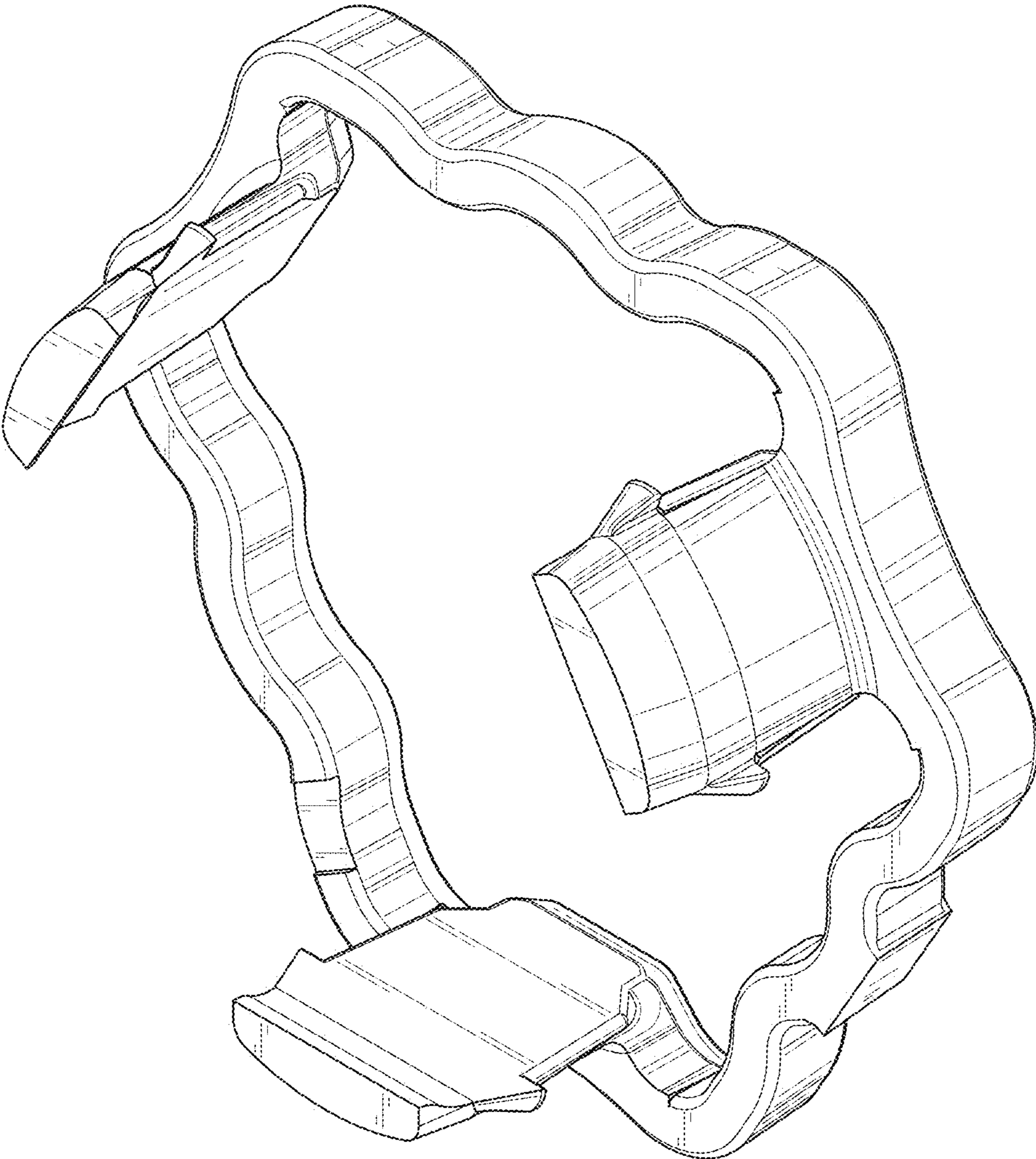


FIG. 1

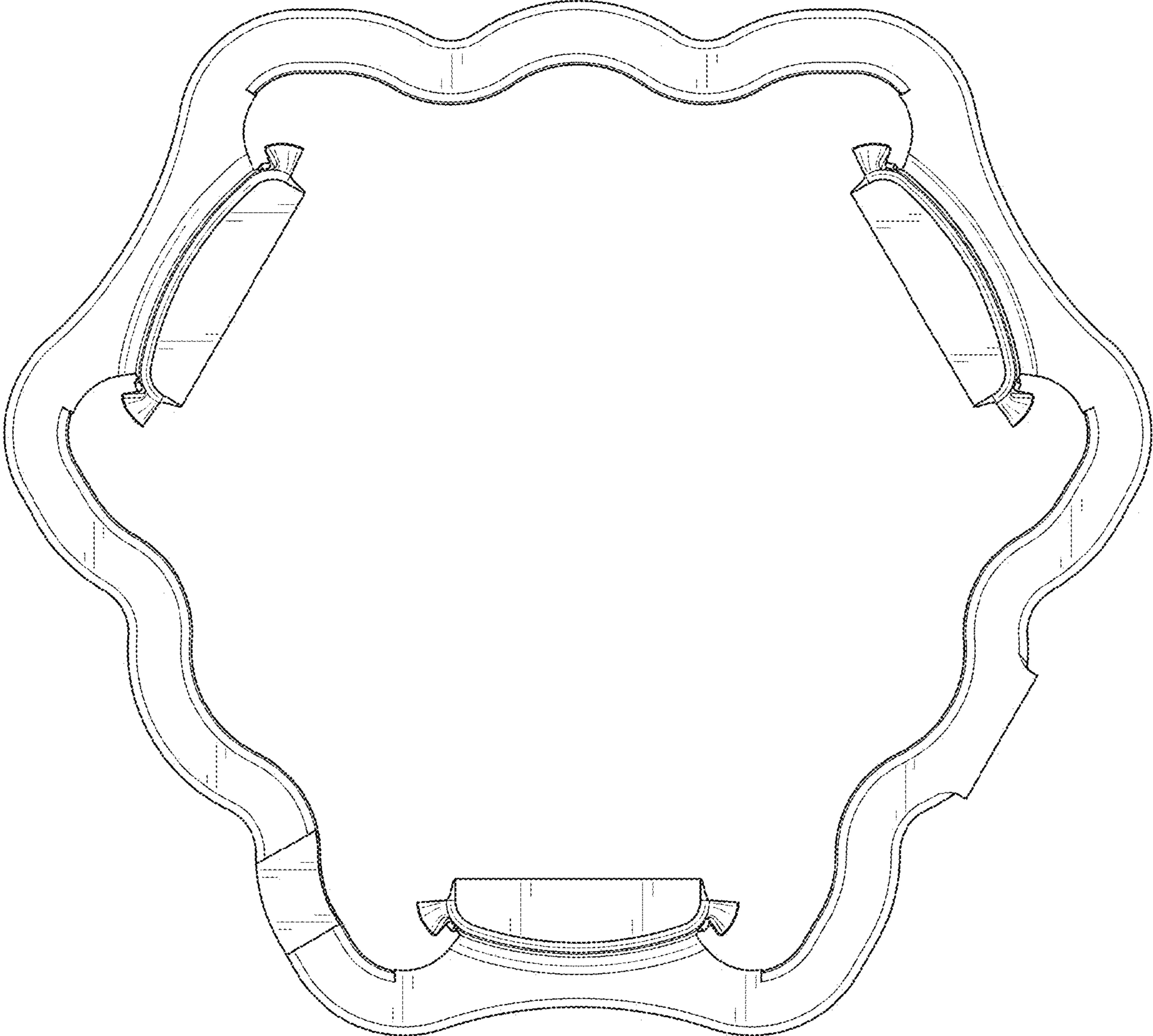


FIG. 2

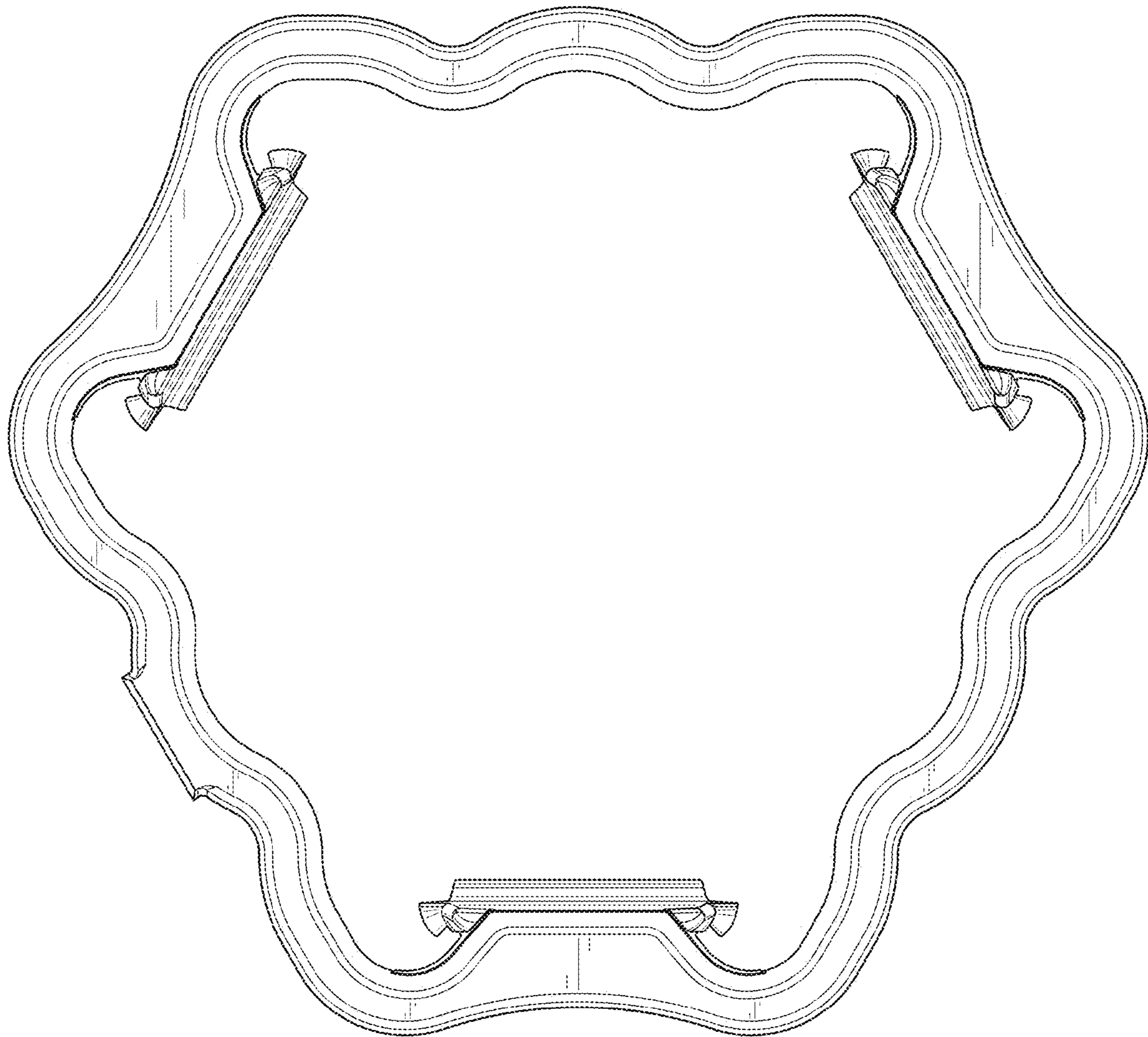


FIG. 3

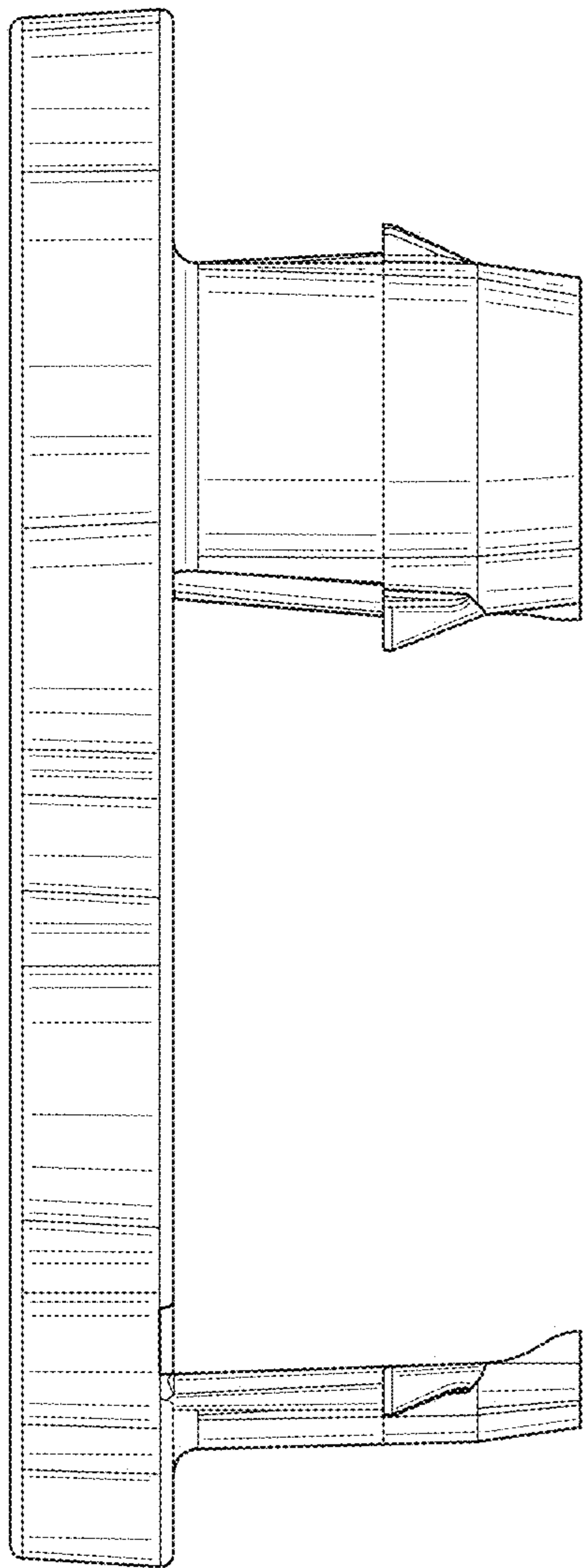


FIG. 4

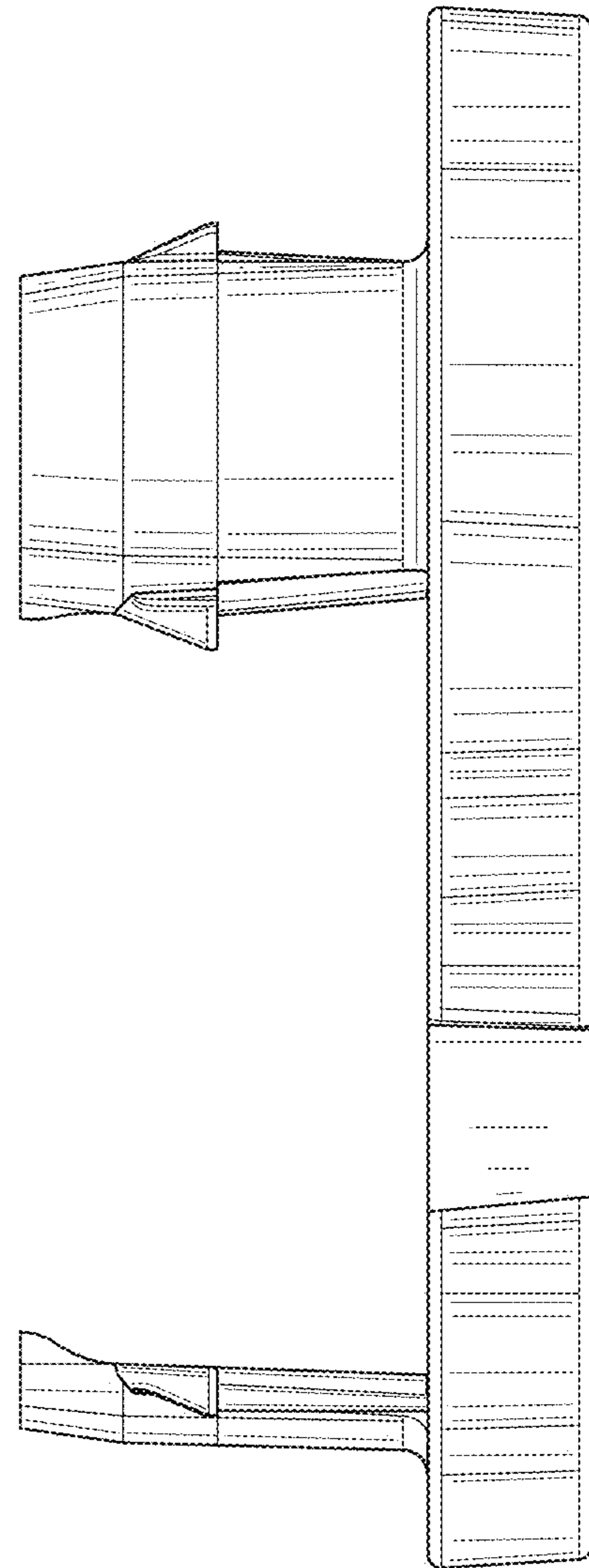


FIG. 5

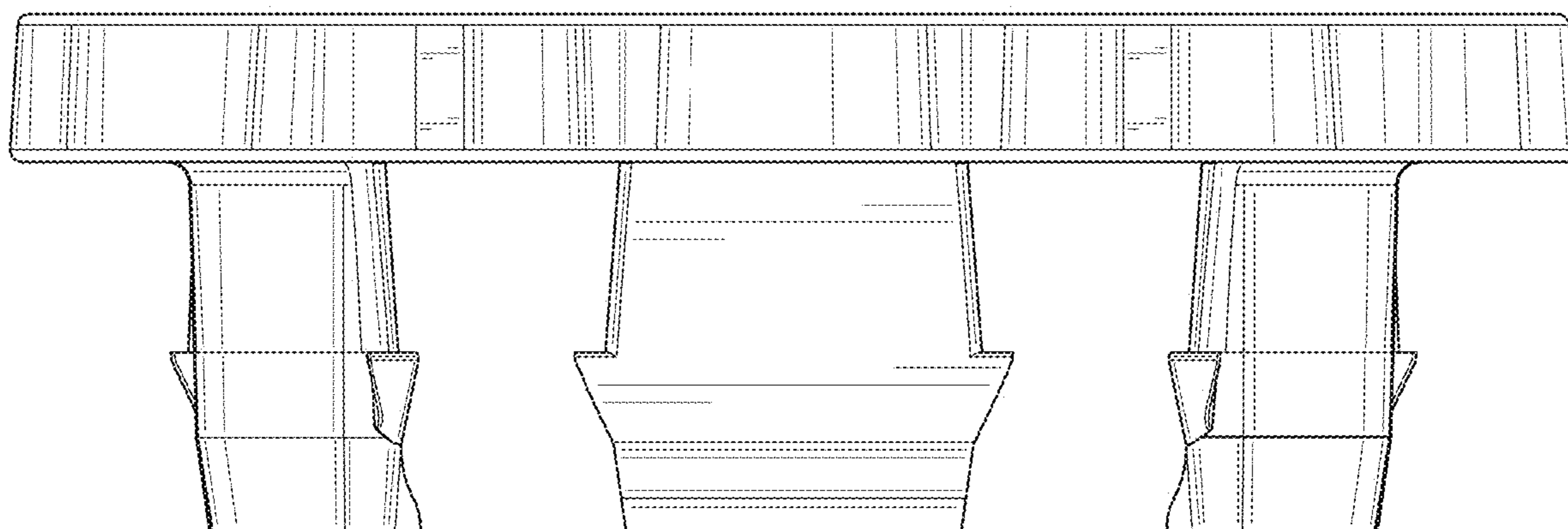


FIG. 6

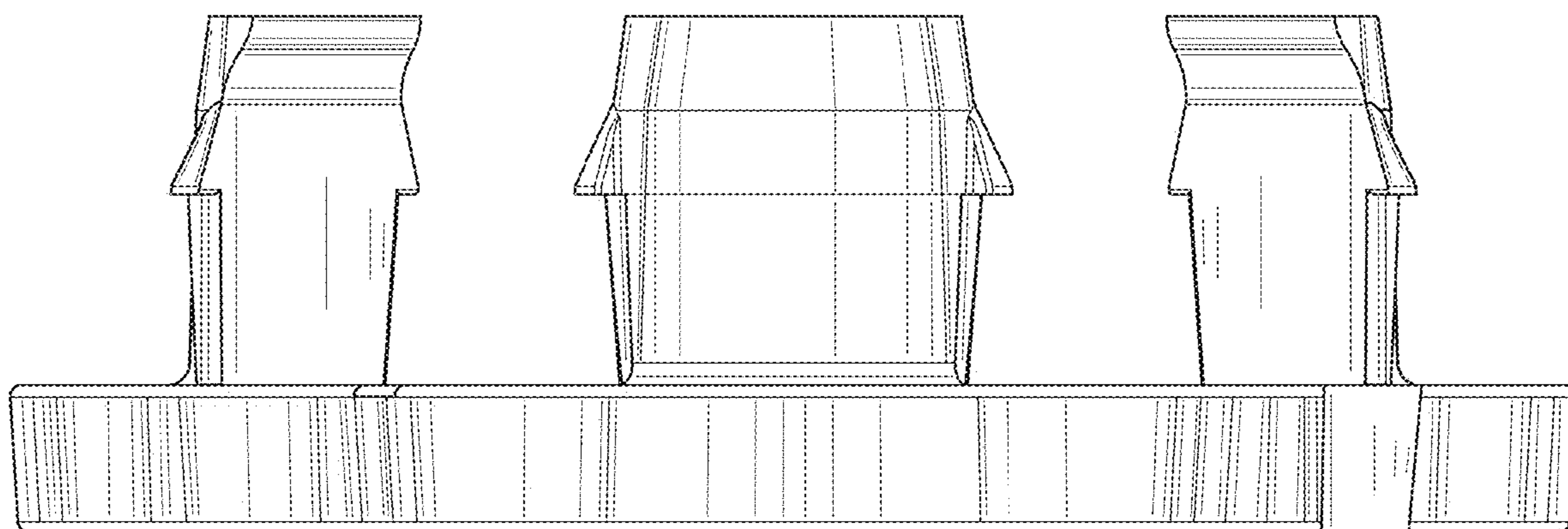


FIG. 7