



US00D884567S

(12) **United States Design Patent** (10) **Patent No.:** **US D884,567 S**  
**Atsuta et al.** (45) **Date of Patent:** **\*\* May 19, 2020**

(54) **CALIPER BODY OF DISK BRAKE FOR VEHICLE**

FOREIGN PATENT DOCUMENTS

(71) Applicant: **NISSIN KOGYO CO., LTD.**, Tomi, Nagano (JP)

JP D911886 S 11/1994  
JP D1212943 8/2004

(Continued)

(72) Inventors: **Daiki Atsuta**, Tomi (JP); **Akira Ota**, Tomi (JP); **Satoshi Ogitani**, Tama (JP); **Hiroaki Tanaka**, Tama (JP)

OTHER PUBLICATIONS

Report of JPO dated Jan. 20, 2017, issued in counterpart Japanese Design Application No. JPD-2016-014957. (2 pages).

(Continued)

(73) Assignee: **NISSIN KOGYO CO., LTD.**, Tomi (JP)

*Primary Examiner* — Gino Colan

(\*\*) Term: **15 Years**

(74) *Attorney, Agent, or Firm* — Westerman, Hattori, Daniels & Adrian, LLP

(21) Appl. No.: **29/590,636**

(57) **CLAIM**

(22) Filed: **Jan. 12, 2017**

The ornamental design for a caliper body of disk brake for vehicle, as shown and described.

(30) **Foreign Application Priority Data**

**DESCRIPTION**

Jul. 13, 2016 (JP) ..... 2016-014957  
Jan. 11, 2017 (JP) ..... 2017-000315

(51) **LOC (12) Cl.** ..... **12-16**

(52) **U.S. Cl.**  
USPC ..... **D12/180**

(58) **Field of Classification Search**  
USPC ..... D12/179, 180; 182/72.3, 73.31, 72.4, 182/73.46, 72.5, 18 A, 72.1, 73.39  
CPC ..... F16D 65/0068; F16D 65/18; F16D 2055/0016; F16D 55/226; F16D 65/183; F16D 65/58

See application file for complete search history.

FIG. 1 is a front view of a first embodiment of a caliper body of disk brake for vehicle;  
FIG. 2 is a rear view thereof;  
FIG. 3 is a top plan view thereof;  
FIG. 4 is a bottom plan view thereof;  
FIG. 5 is a right side elevation view thereof;  
FIG. 6 is a left side elevation view thereof;  
FIG. 7 is a perspective view thereof;  
FIG. 8 is a front view of a second embodiment of a caliper body of disk brake for vehicle;  
FIG. 9 is a rear view thereof;  
FIG. 10 is a top plan view thereof;  
FIG. 11 is a bottom plan view thereof;  
FIG. 12 is a right side elevation view thereof;  
FIG. 13 is a left side elevation view thereof; and,  
FIG. 14 is a perspective view thereof.

The broken lines in the drawings illustrate portions of the caliper body of disk brake for vehicle that form no part of the claimed design.

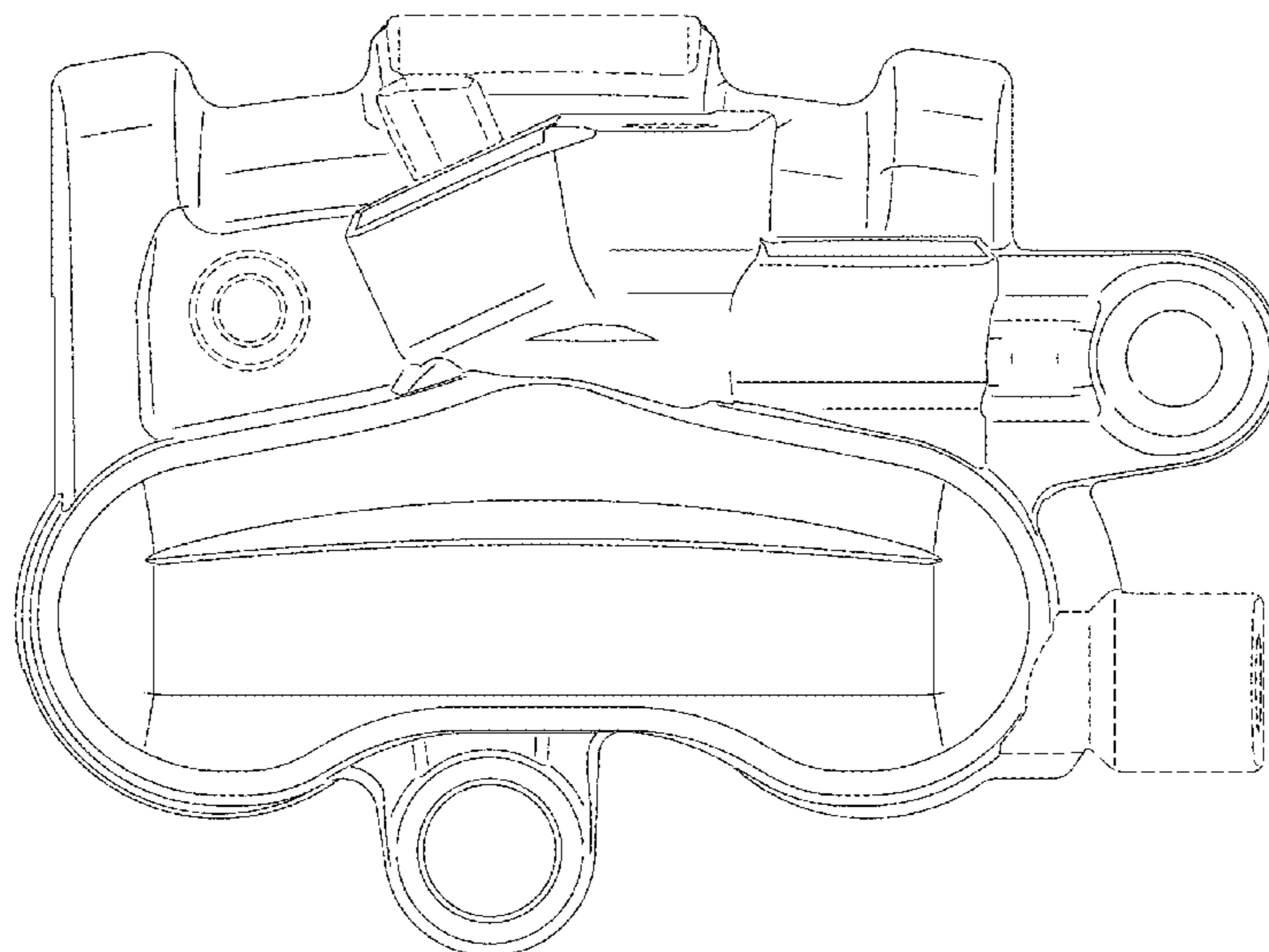
(56) **References Cited**

U.S. PATENT DOCUMENTS

6,186,289 B1 \* 2/2001 Takano ..... F16D 55/226 188/205 R  
D462,040 S \* 8/2002 Ueno ..... D12/180  
D520,924 S \* 5/2006 Gotti ..... D12/180

(Continued)

**1 Claim, 14 Drawing Sheets**



(56)

**References Cited**

U.S. PATENT DOCUMENTS

D588,513 S \* 3/2009 Crippa ..... D12/180  
7,766,132 B2 \* 8/2010 Veneziano ..... F16D 55/22  
188/73.39  
D623,102 S \* 9/2010 Gherardi ..... D12/180  
D686,955 S \* 7/2013 Asakura ..... D12/180  
9,212,713 B2 \* 12/2015 Preda ..... F16D 55/228  
9,388,870 B2 \* 7/2016 Cesani ..... F16D 65/18  
D785,520 S \* 5/2017 Bonetti ..... D12/180  
2005/0115780 A1 \* 6/2005 Nanri ..... F16D 55/228  
188/73.46  
2012/0145492 A1 \* 6/2012 Gherardi ..... F16D 55/224  
188/73.31  
2015/0122597 A1 \* 5/2015 Shimamura ..... F16D 55/228  
188/72.4  
2016/0208872 A1 \* 7/2016 Morio ..... F16D 65/18

FOREIGN PATENT DOCUMENTS

JP D2016-014957 S 7/2016  
JP D2017-000315 S 1/2017

OTHER PUBLICATIONS

Decision to Grant a Design Application dated Jan. 20, 2017, issued  
in counterpart Japanese Design Application No. JPD2016-014957.  
(1 page).

\* cited by examiner

FIG. 1

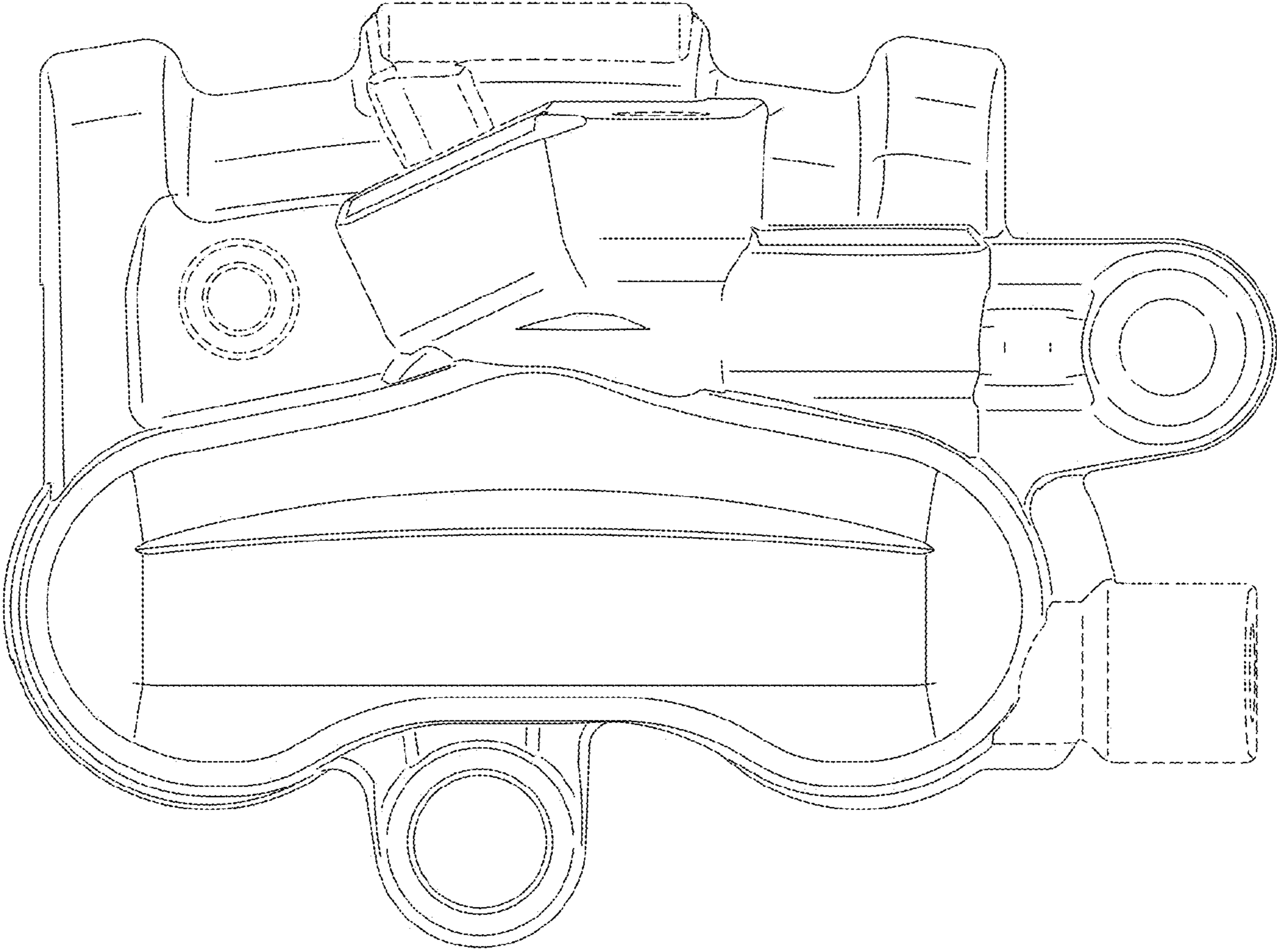


FIG. 2

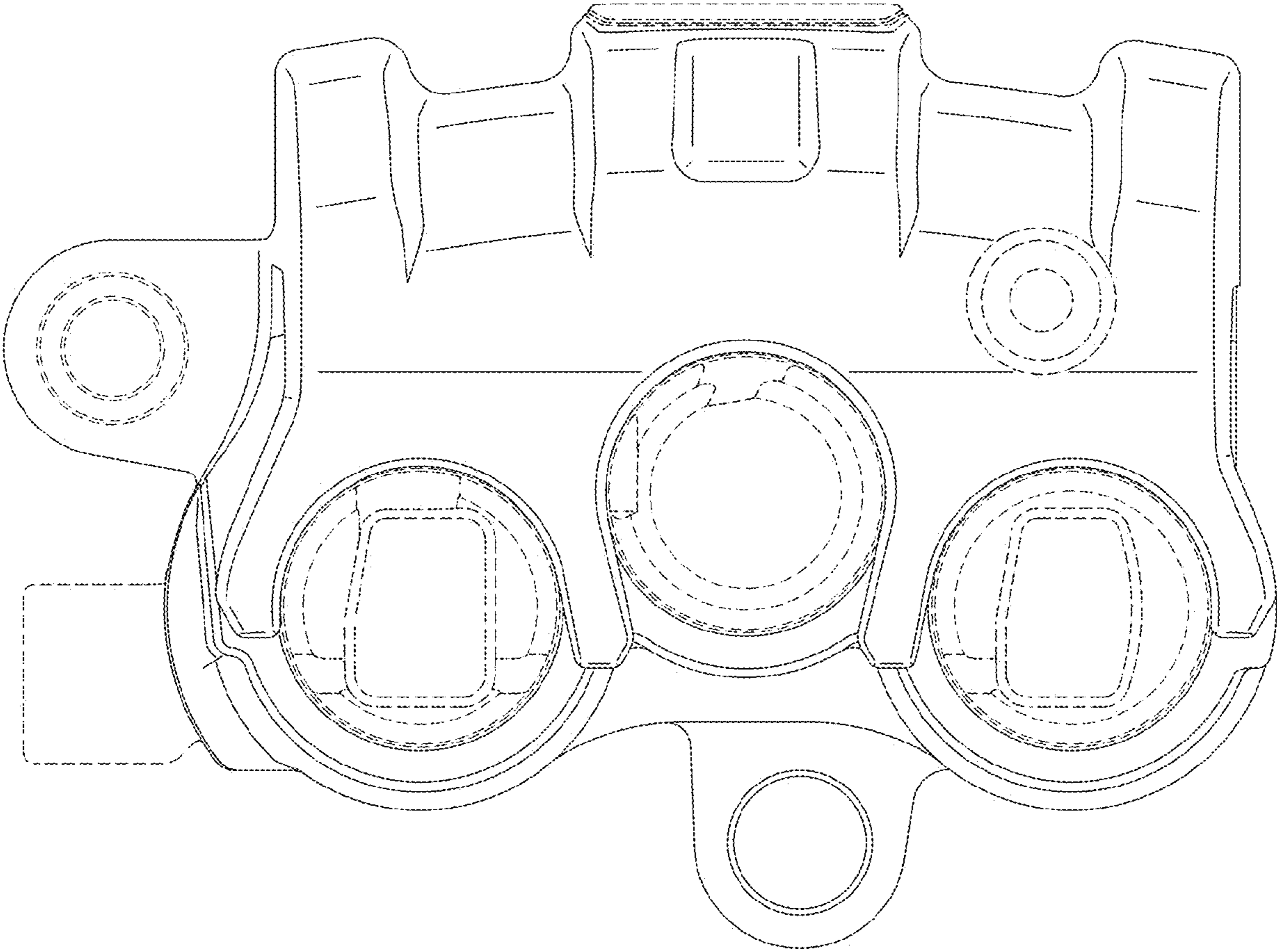


FIG. 3

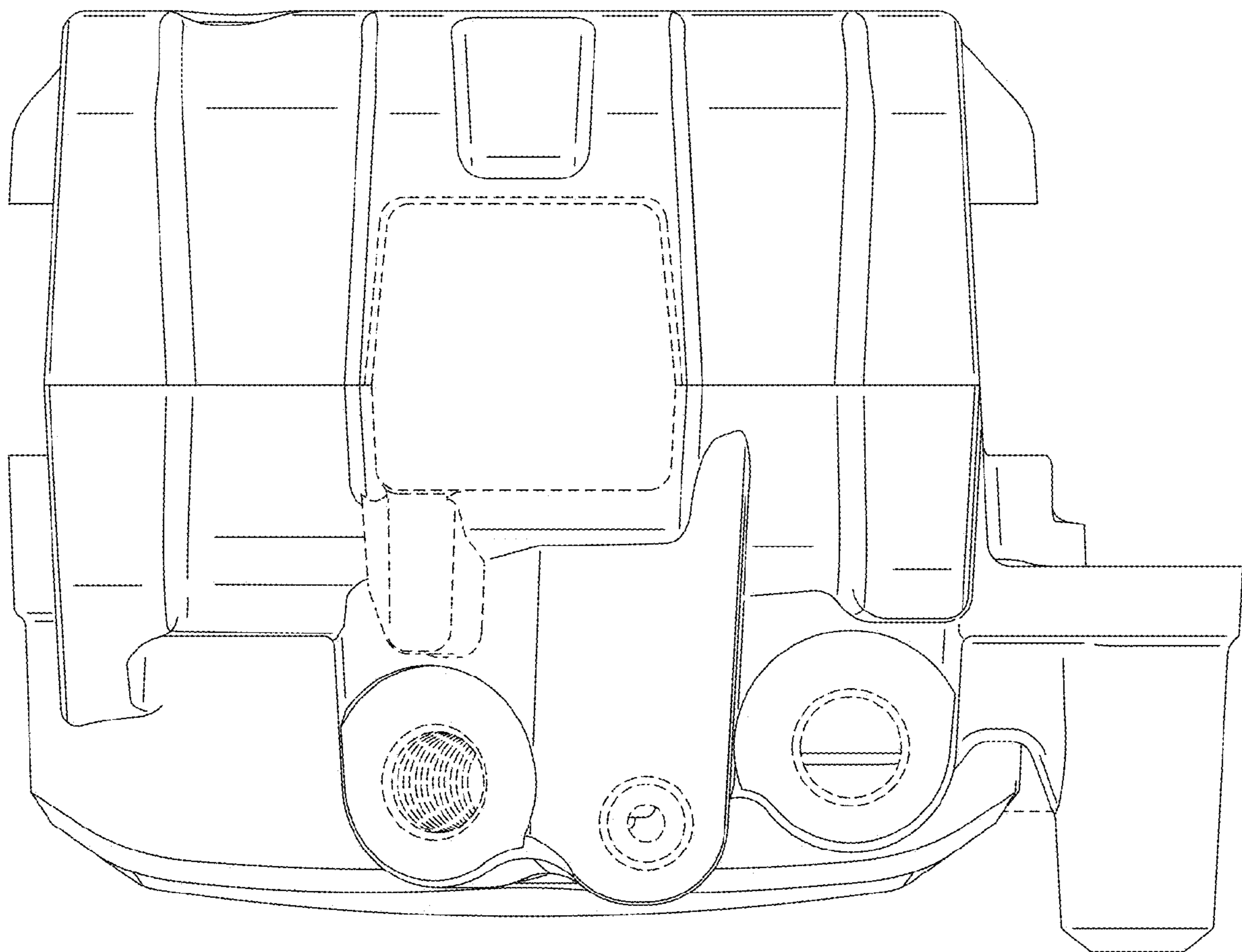


FIG. 4

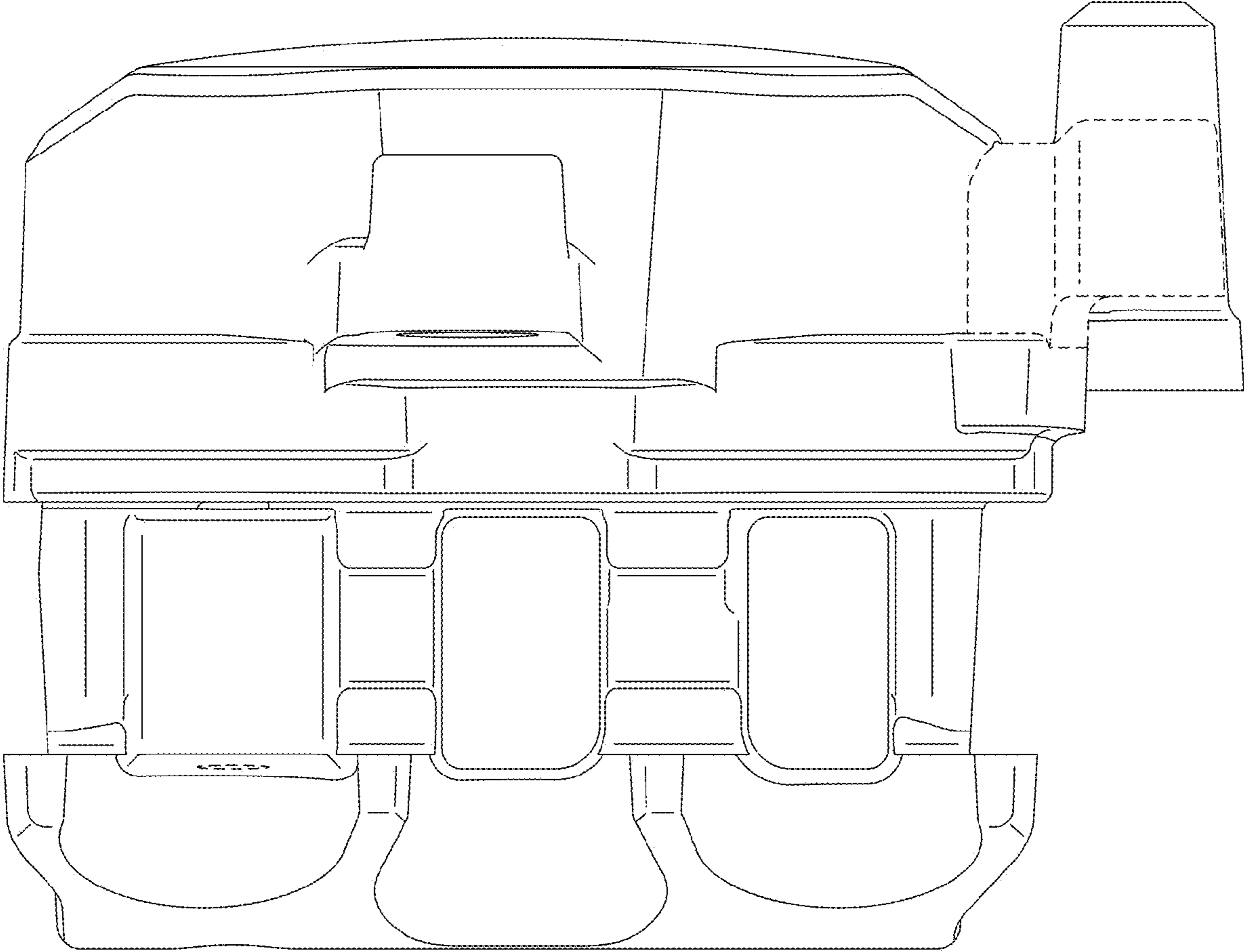


FIG. 5

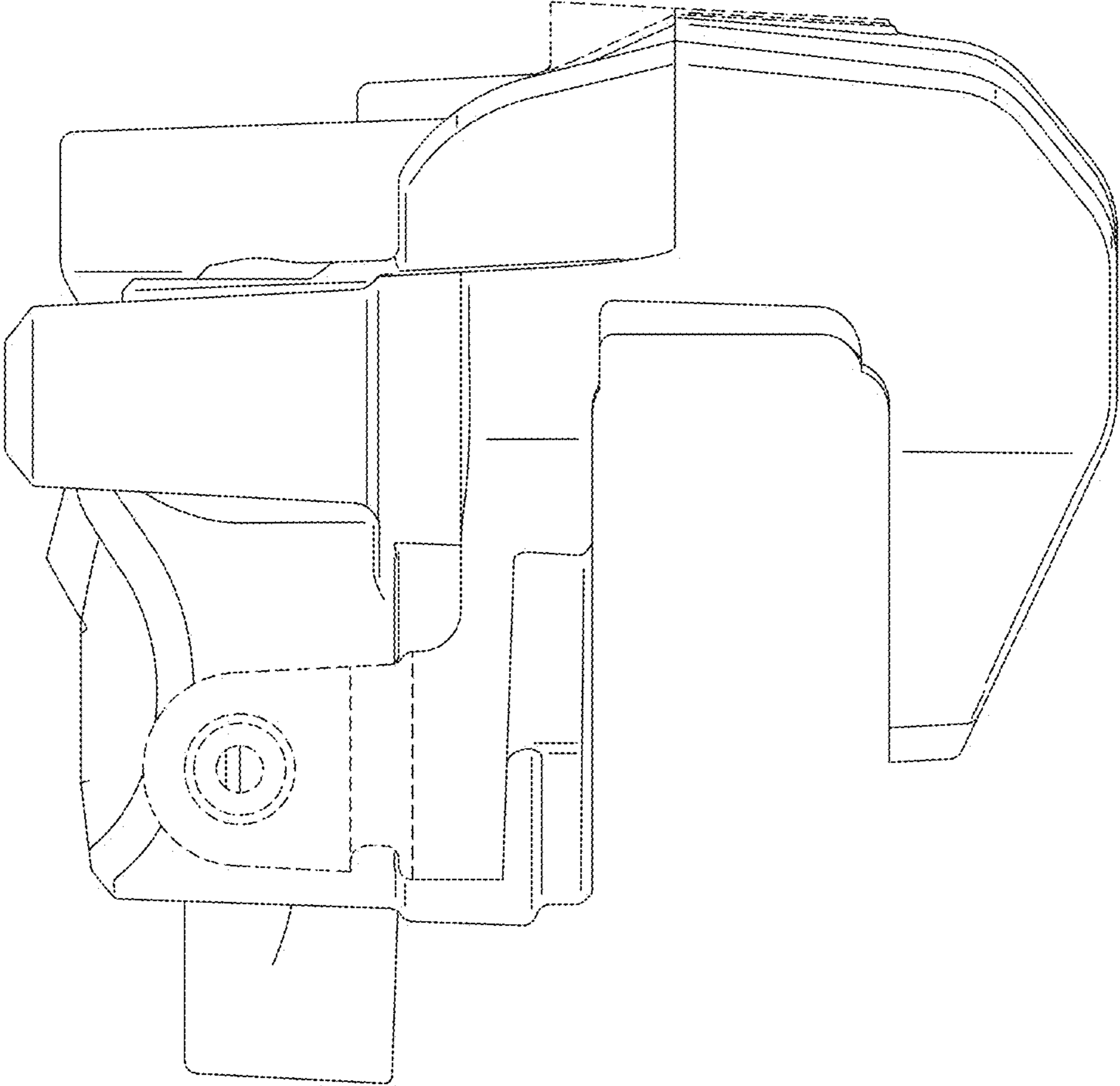


FIG. 6

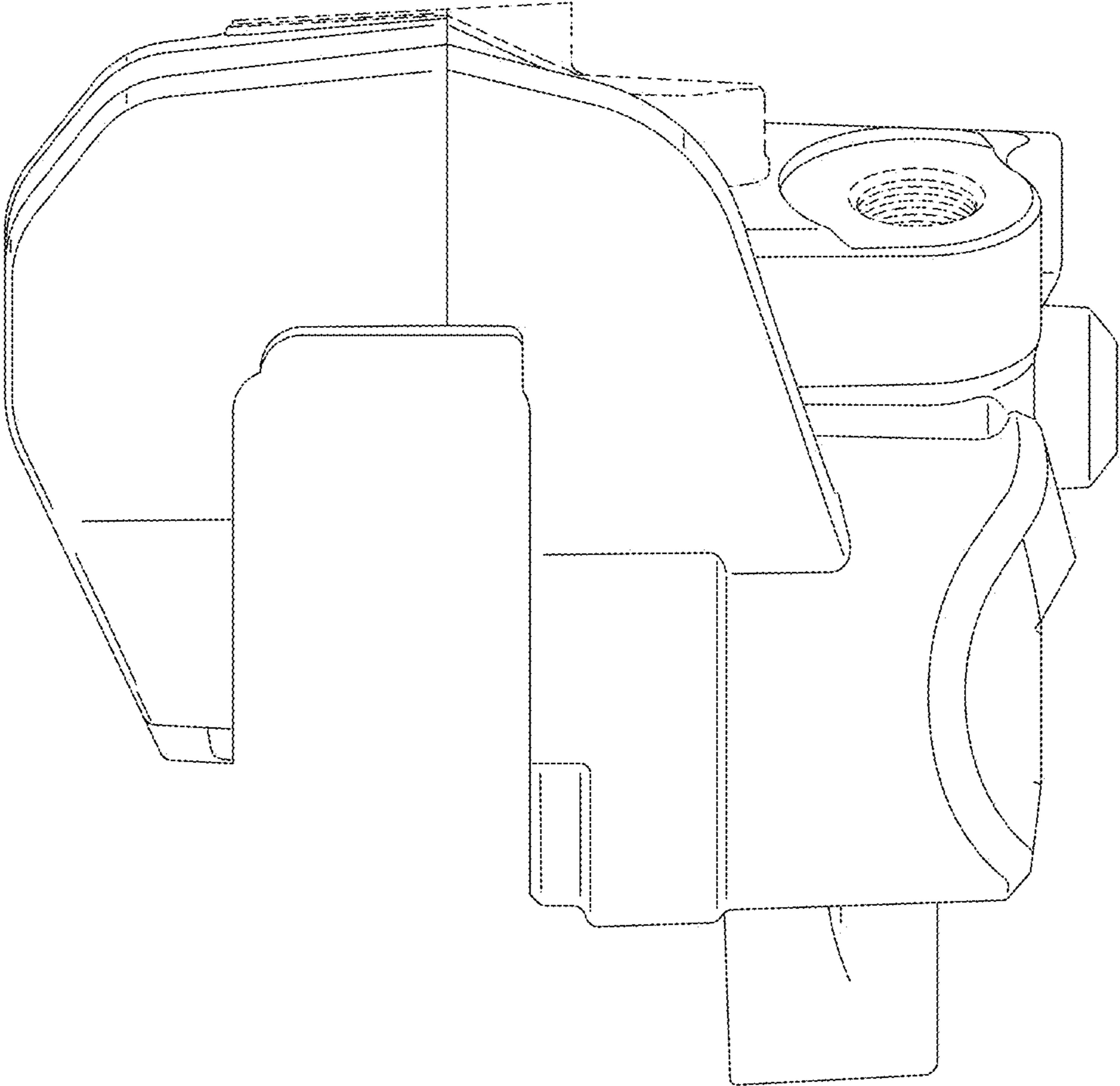




FIG. 7

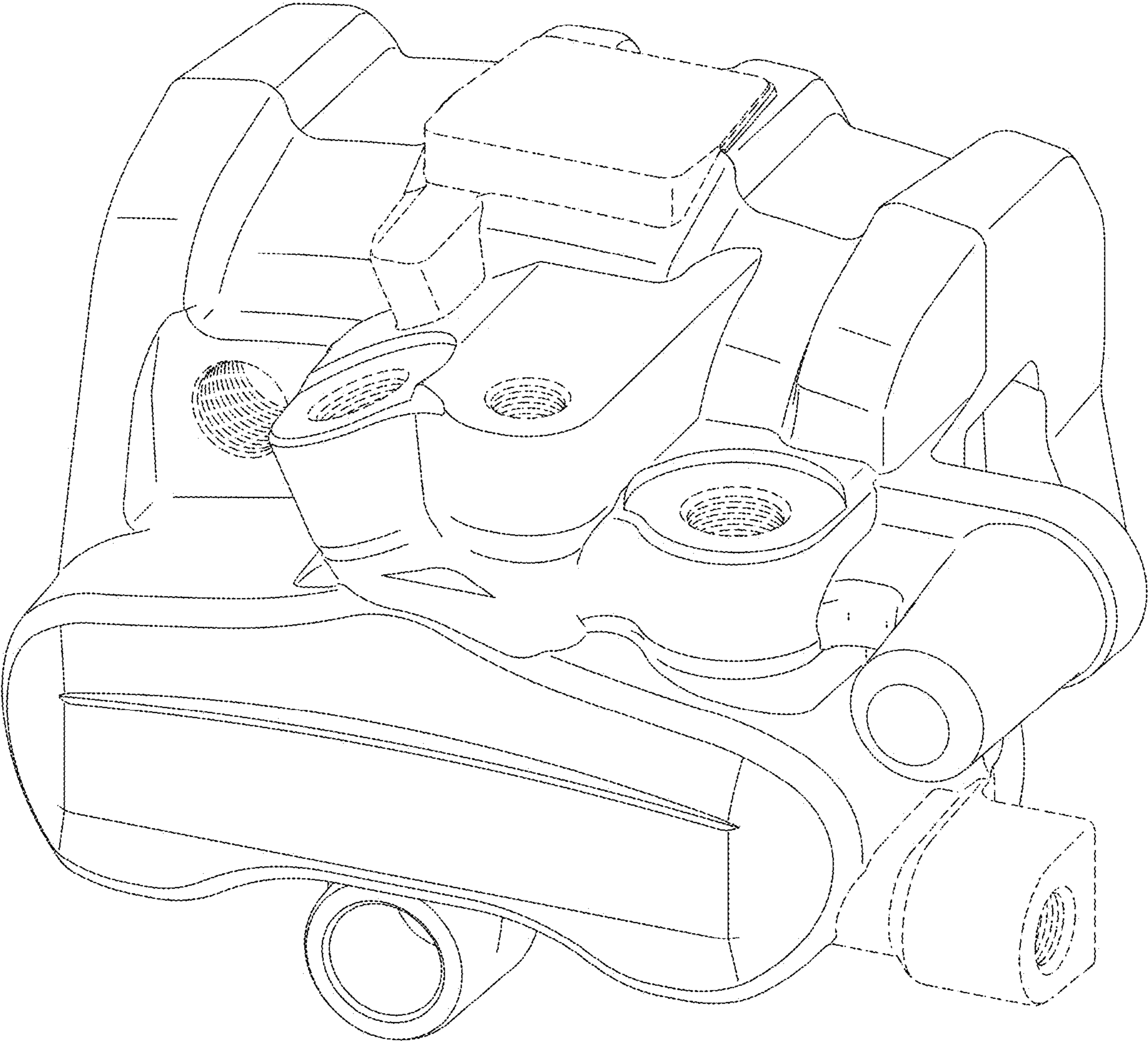


FIG. 8

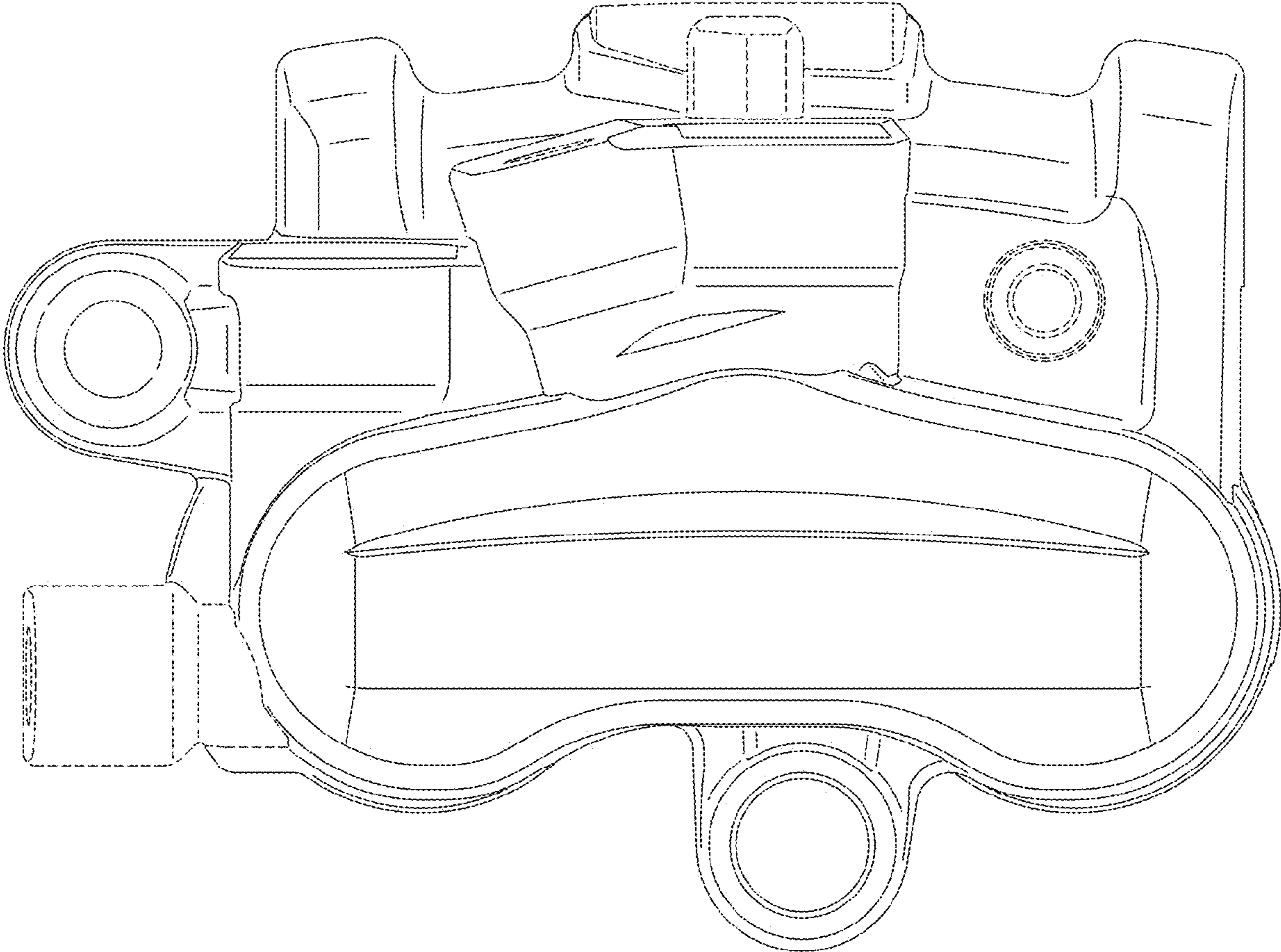


FIG. 9

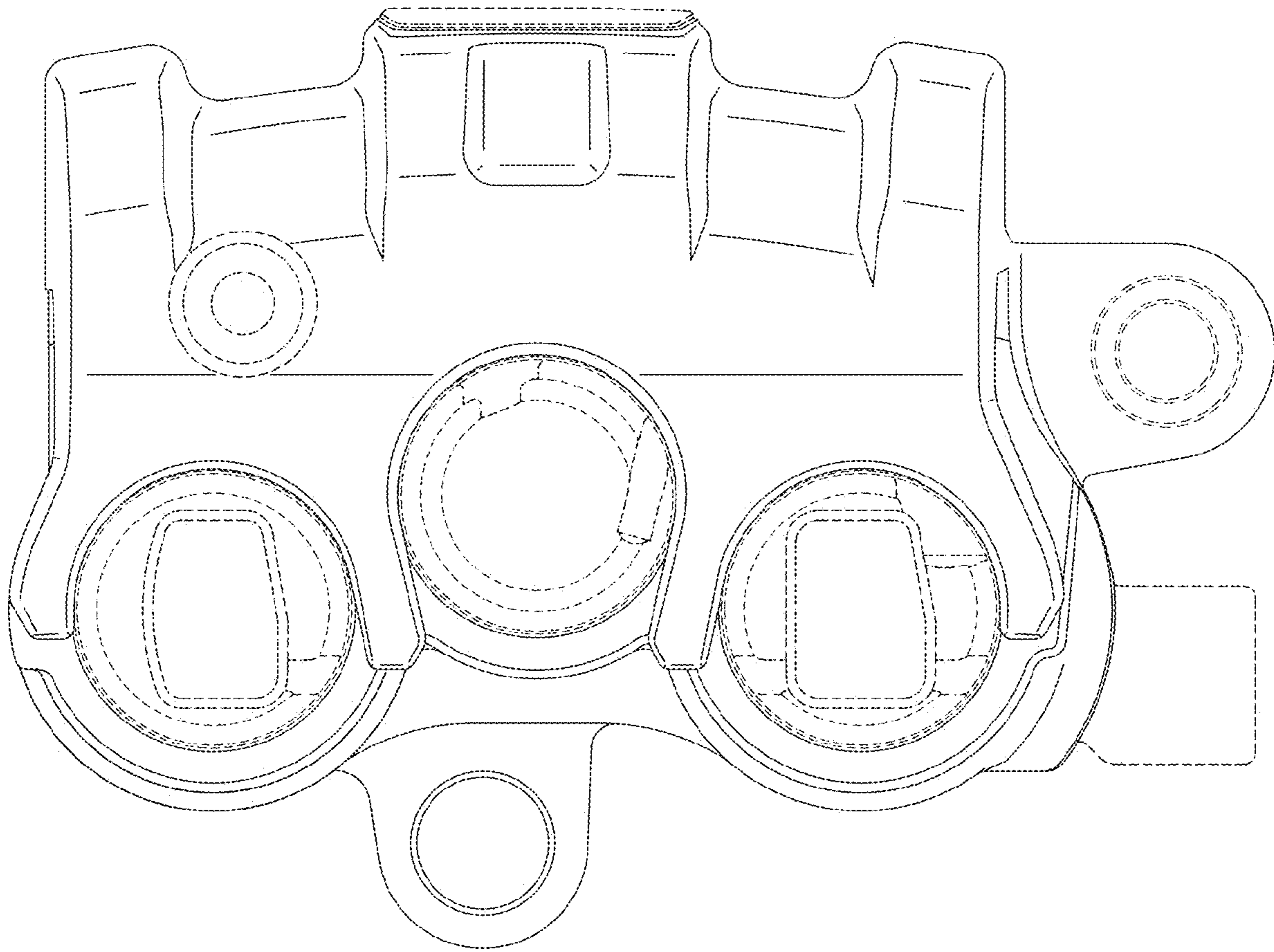


FIG. 10

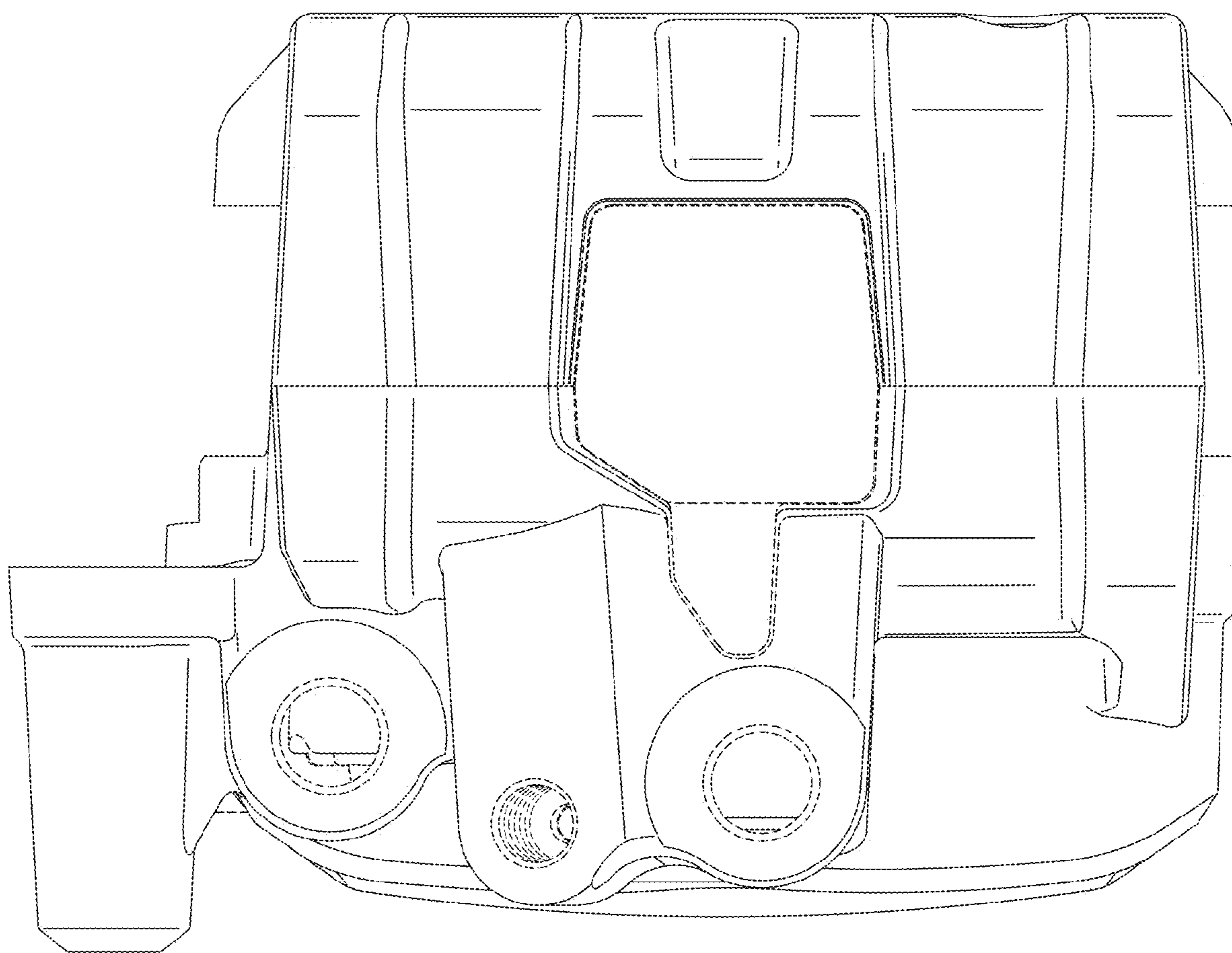


FIG. 11

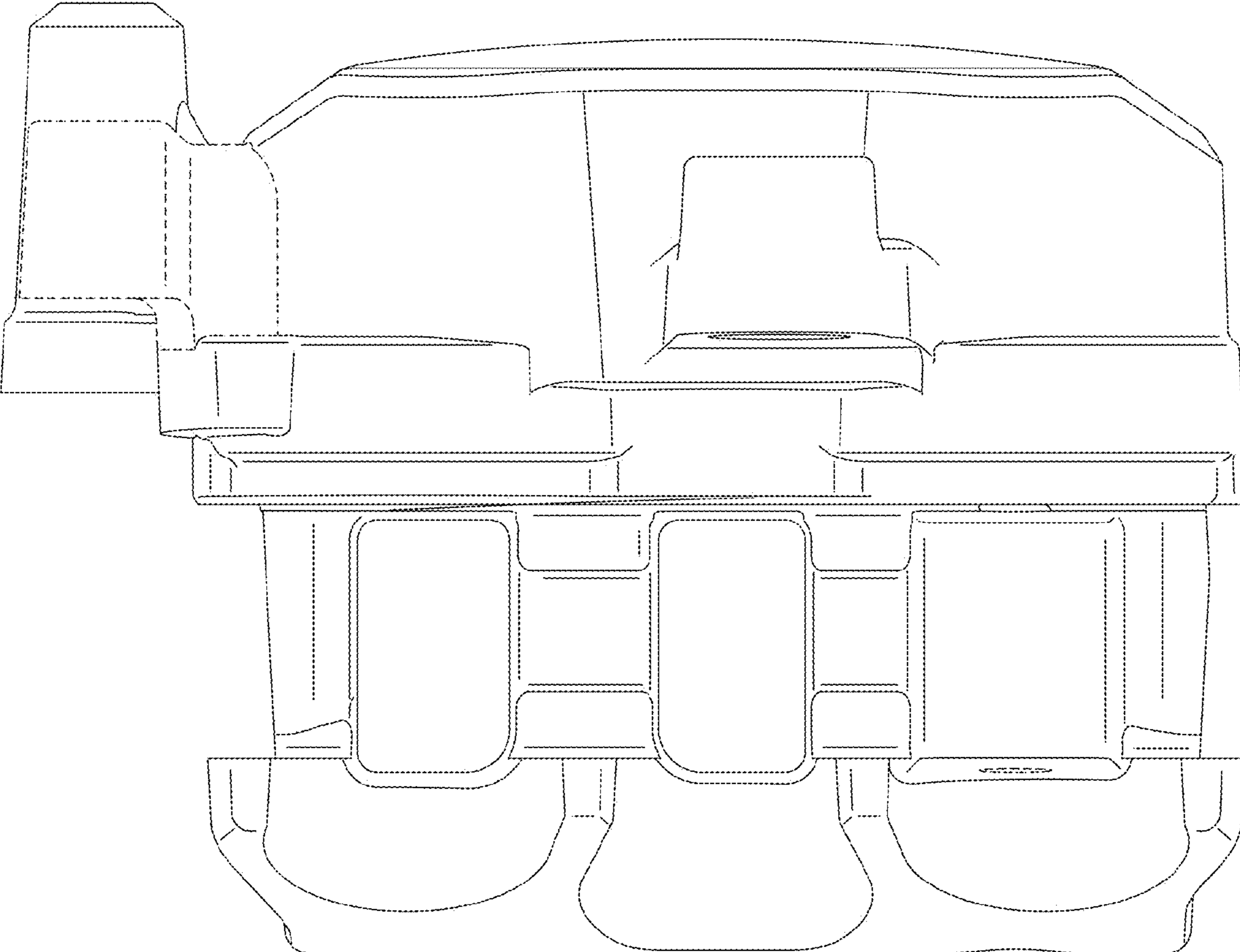


FIG. 12

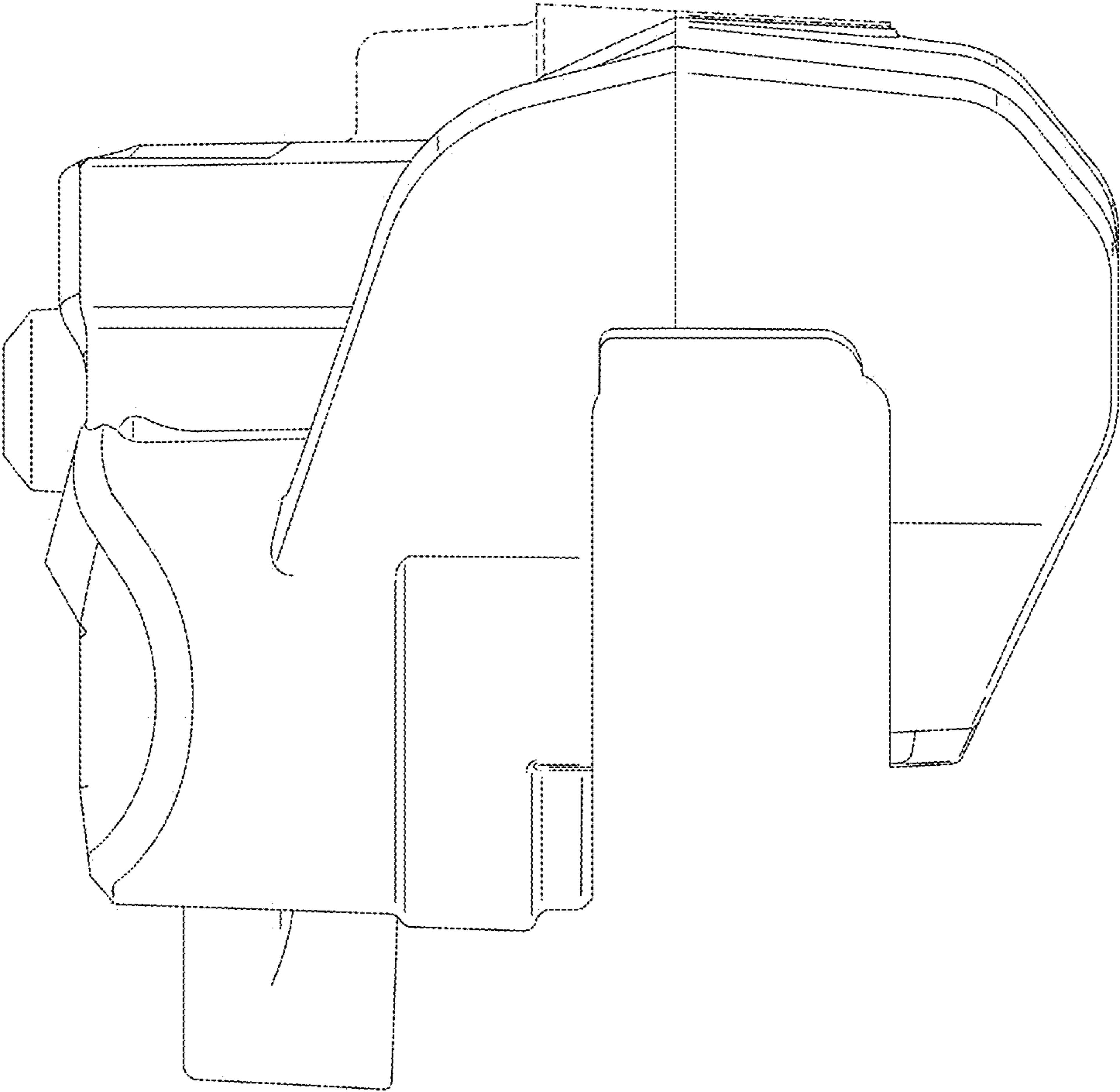


FIG. 13

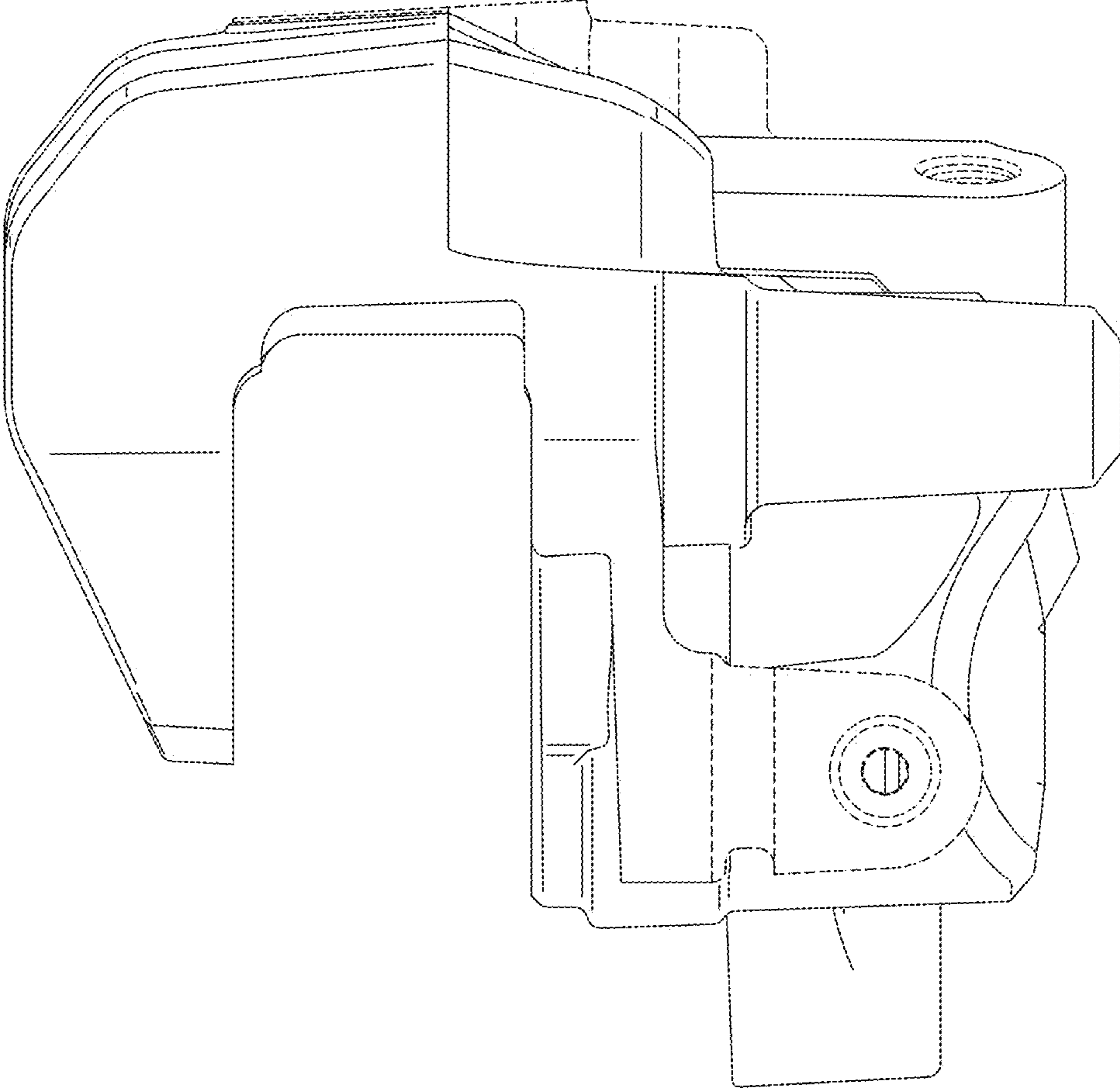


FIG. 14

