



US00D884561S

(12) **United States Design Patent**
Ringer et al.

(10) **Patent No.:** **US D884,561 S**

(45) **Date of Patent:** **** May 19, 2020**

(54) **FRAME FOR A TERMINAL TRACTOR
HAVING A FRONT AND REAR
ATTACHMENT DEVICE**

(71) Applicant: **Ring-Co, LLC**, Trafalgar, IN (US)

(72) Inventors: **Chad A. Ringer**, Trafalgar, IN (US);
Jarrett D. Waters, Camby, IN (US)

(73) Assignee: **RING-CO., LLC**, Trafalgar, IN (US)

(**) Term: **15 Years**

(21) Appl. No.: **29/628,440**

(22) Filed: **Dec. 5, 2017**

Related U.S. Application Data

(63) Continuation of application No. 15/074,804, filed on
Mar. 18, 2016, now Pat. No. 9,834,051.

(51) **LOC (12) Cl.** **12-08**

(52) **U.S. Cl.**
USPC **D12/93**

(58) **Field of Classification Search**
USPC D12/86, 91, 93, 163, 164, 166, 167, 169,
D12/171, 172, 173, 190, 216
CPC B60R 9/06; B60R 19/04; B60R 19/18; B60R
19/44; B60R 19/48
See application file for complete search history.

(56) **References Cited**

U.S. PATENT DOCUMENTS

- 1,842,038 A * 1/1932 Masury B62D 33/00
180/54.1
- 2,537,572 A * 1/1951 Cole B60G 17/033
280/43.23
- 2,555,556 A * 6/1951 Panzegrau B60P 3/423
180/315
- D395,848 S * 7/1998 Meryman D12/97
- 6,782,965 B2 * 8/2004 Szykiel B60K 5/02
180/291

- 7,922,235 B1 * 4/2011 Smith B62D 35/001
296/180.2
- 9,422,015 B1 * 8/2016 Fraley B62D 63/061
- D810,634 S * 2/2018 Villamizar D12/169
- D810,636 S * 2/2018 Villamizar D12/169
- D818,886 S * 5/2018 Villamizar D12/163
- D818,896 S * 5/2018 Villamizar D12/169
- 10,053,150 B1 * 8/2018 Wurzer B62D 25/2027
- 10,081,321 B2 * 9/2018 Fabiano B60R 19/023

(Continued)

Primary Examiner — Susan Bennett Hattan

Assistant Examiner — Suzanne E Tisdell

(74) *Attorney, Agent, or Firm* — Taft Stettinius &
Hollister LLP; Derek B. Lavender

(57) **CLAIM**

The ornamental design for a frame for a terminal tractor
having a front and rear attachment device, as shown and
described.

DESCRIPTION

FIG. 1 is a front perspective view of a frame for a terminal
tractor having a front and rear attachment device, showing
our new design.

FIG. 2 is a rear perspective view of the frame of FIG. 1.

FIG. 3 is a front view of the frame of FIG. 1.

FIG. 4 is a rear view of the frame of FIG. 1.

FIG. 5 is a right side view of the frame of FIG. 1.

FIG. 6 is a top view of the frame of FIG. 1.

FIG. 7 is a front perspective view of a front bumper isolated
from the frame of FIG. 1.

FIG. 8 is a rear perspective view of the front bumper of FIG.
7.

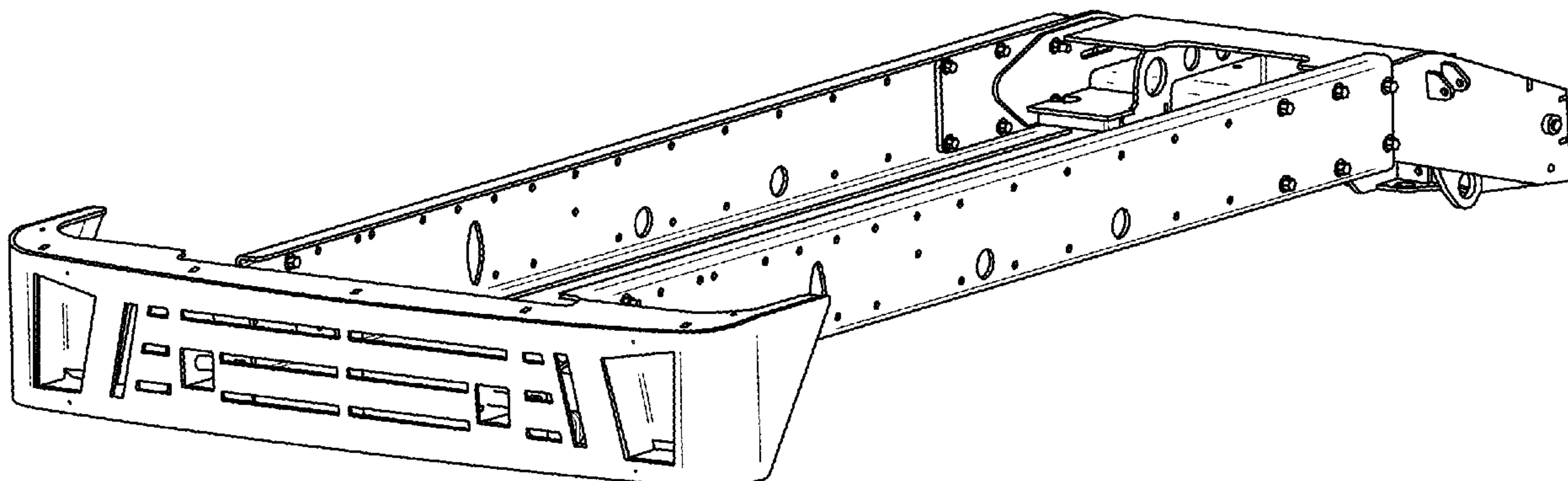
FIG. 9 is a side view of the front bumper of FIG. 7.

FIG. 10 is a rear perspective view of a rear bumper isolated
from the frame of FIG. 1; and,

FIG. 11 is a side view of the rear bumper of FIG. 10.

Any broken lines in the figures form no part of the claimed
design.

1 Claim, 10 Drawing Sheets



(56)

References Cited

U.S. PATENT DOCUMENTS

D833,340 S * 11/2018 Waterhouse D12/169
D833,341 S * 11/2018 Anderson D12/169
D837,688 S * 1/2019 Mori D12/14
10,308,199 B2 * 6/2019 Busuioc B60K 11/04

* cited by examiner

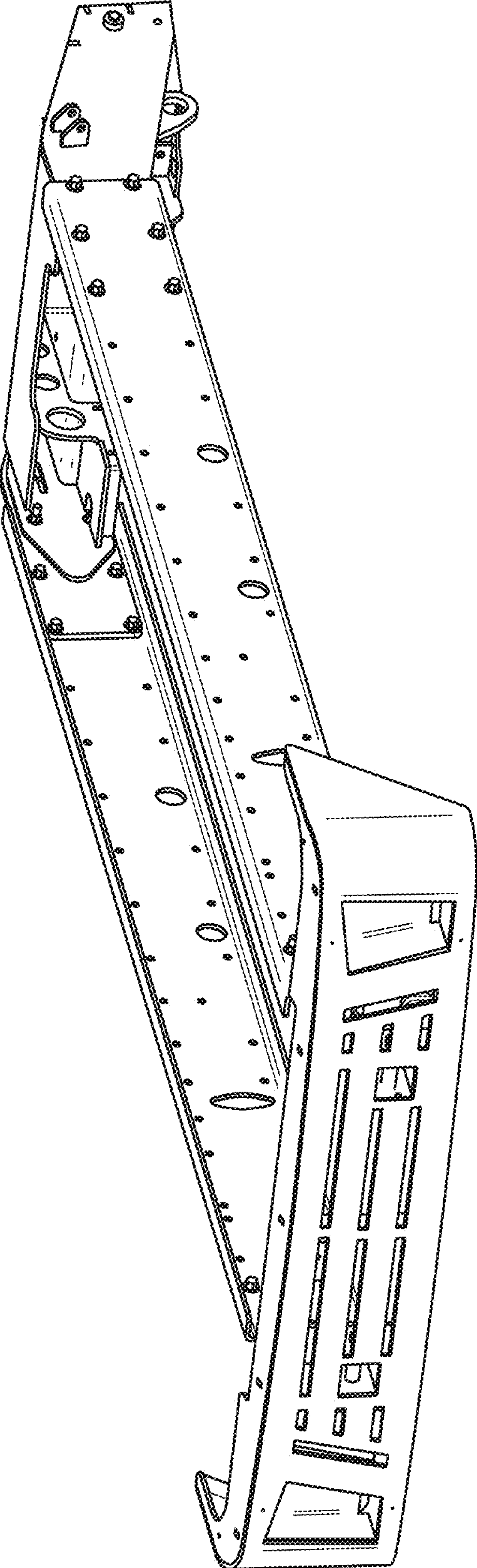


FIG. 1

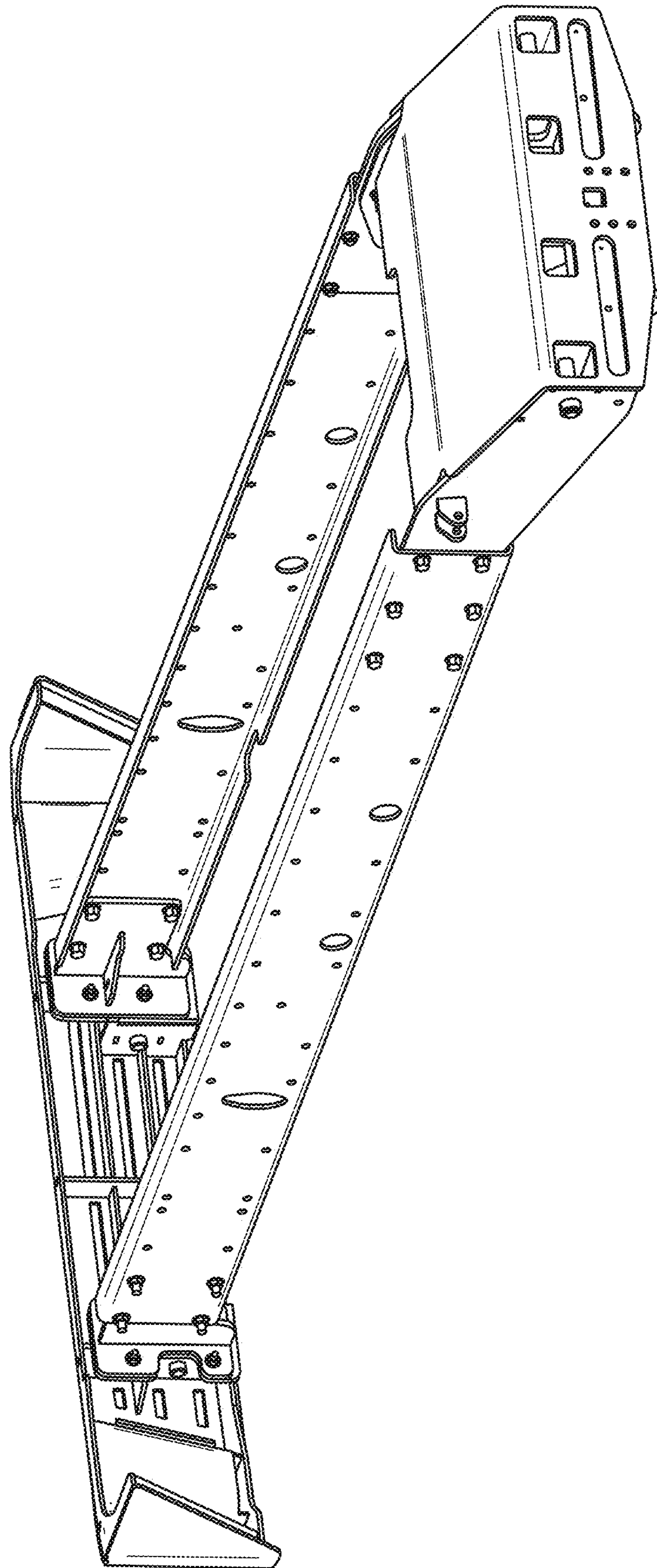


FIG. 2

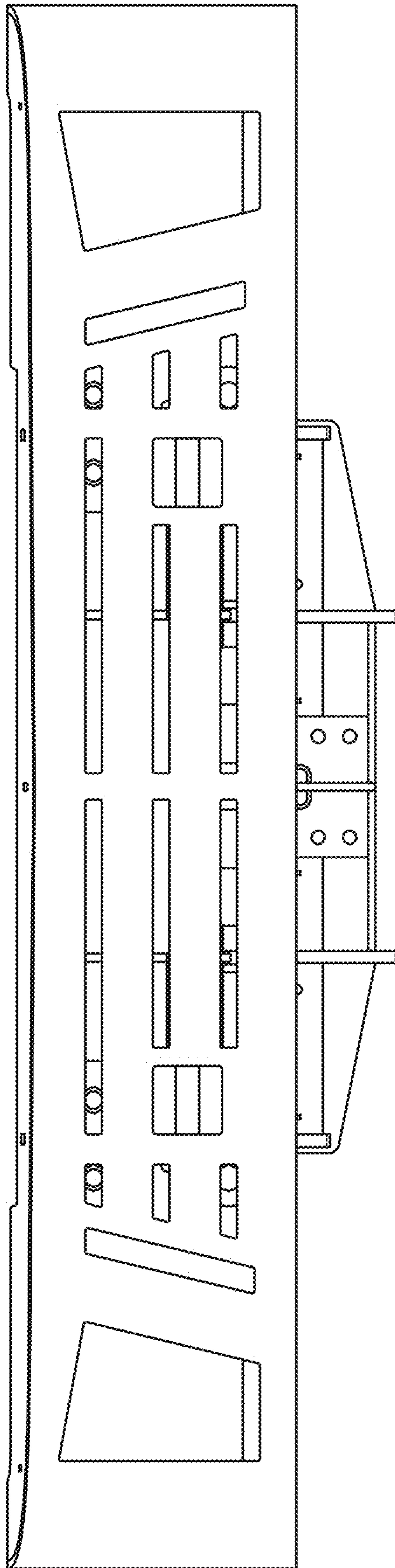


FIG. 3

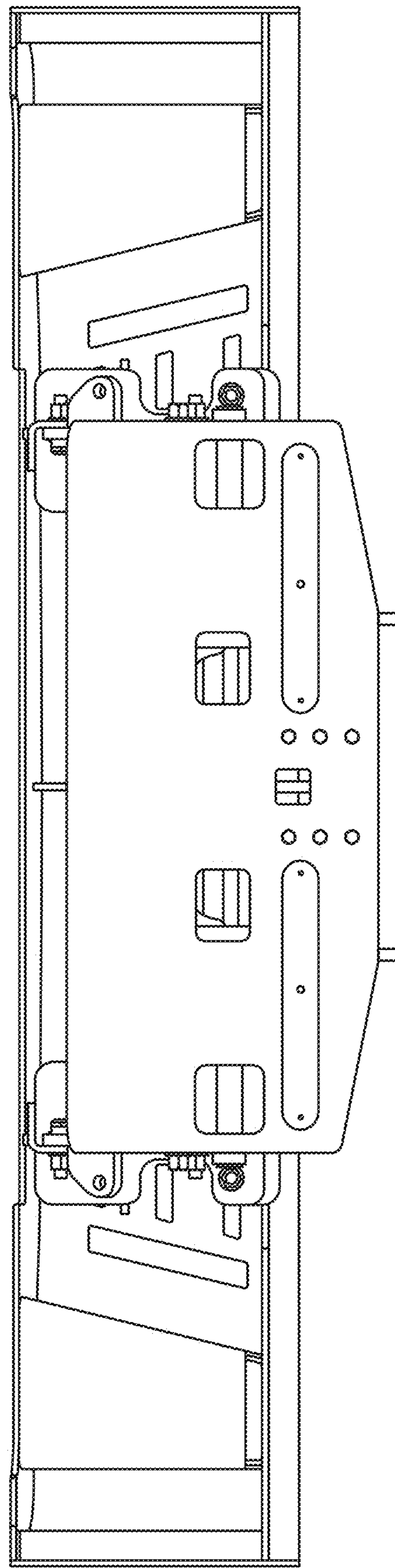


FIG. 4

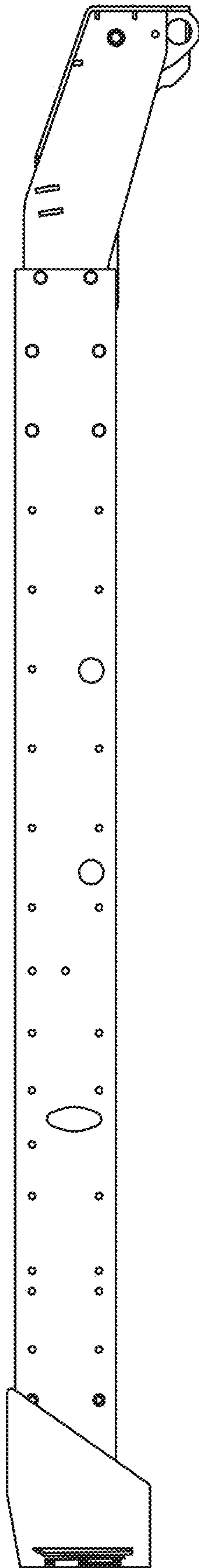


FIG. 5

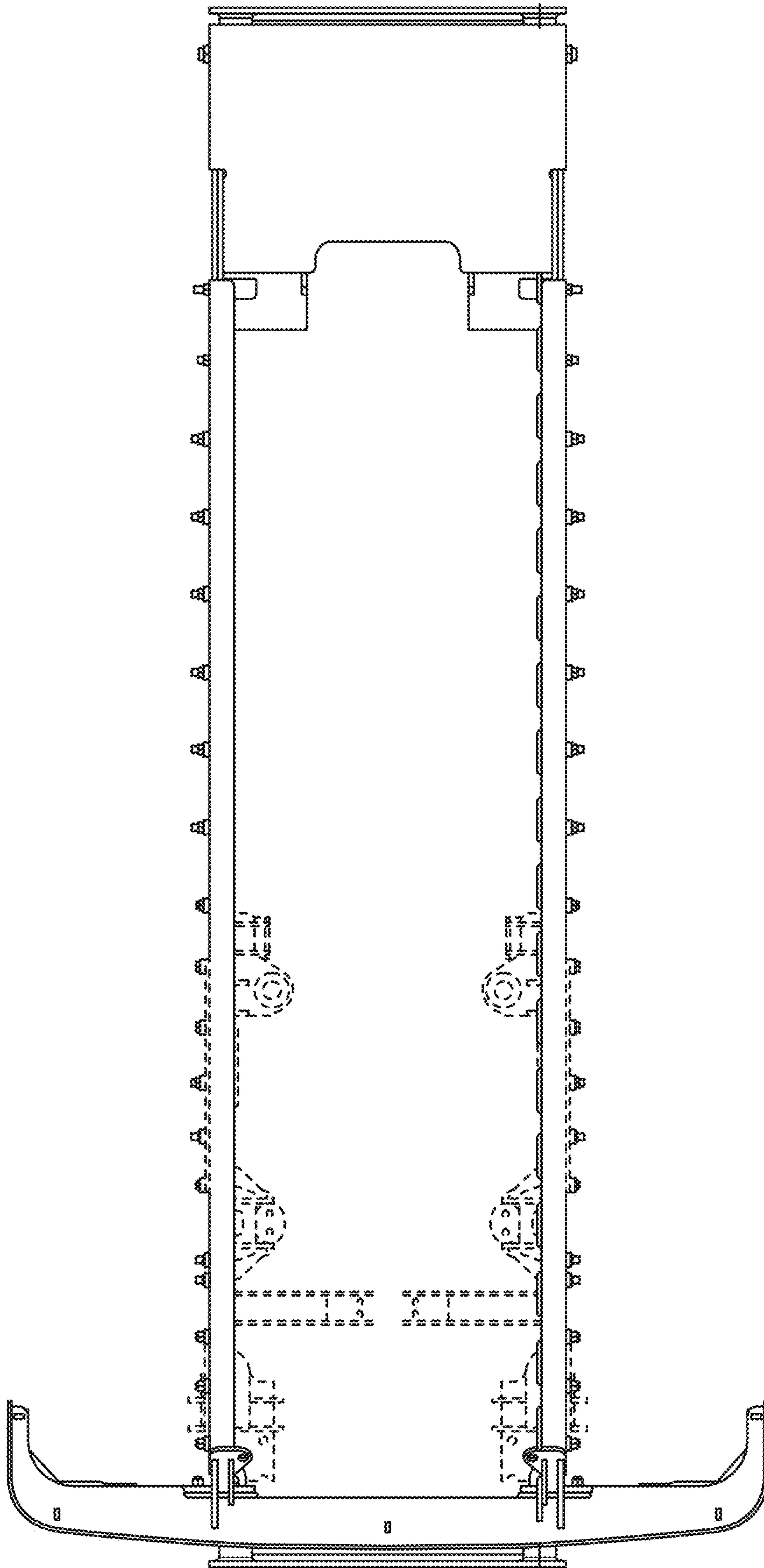


FIG. 6

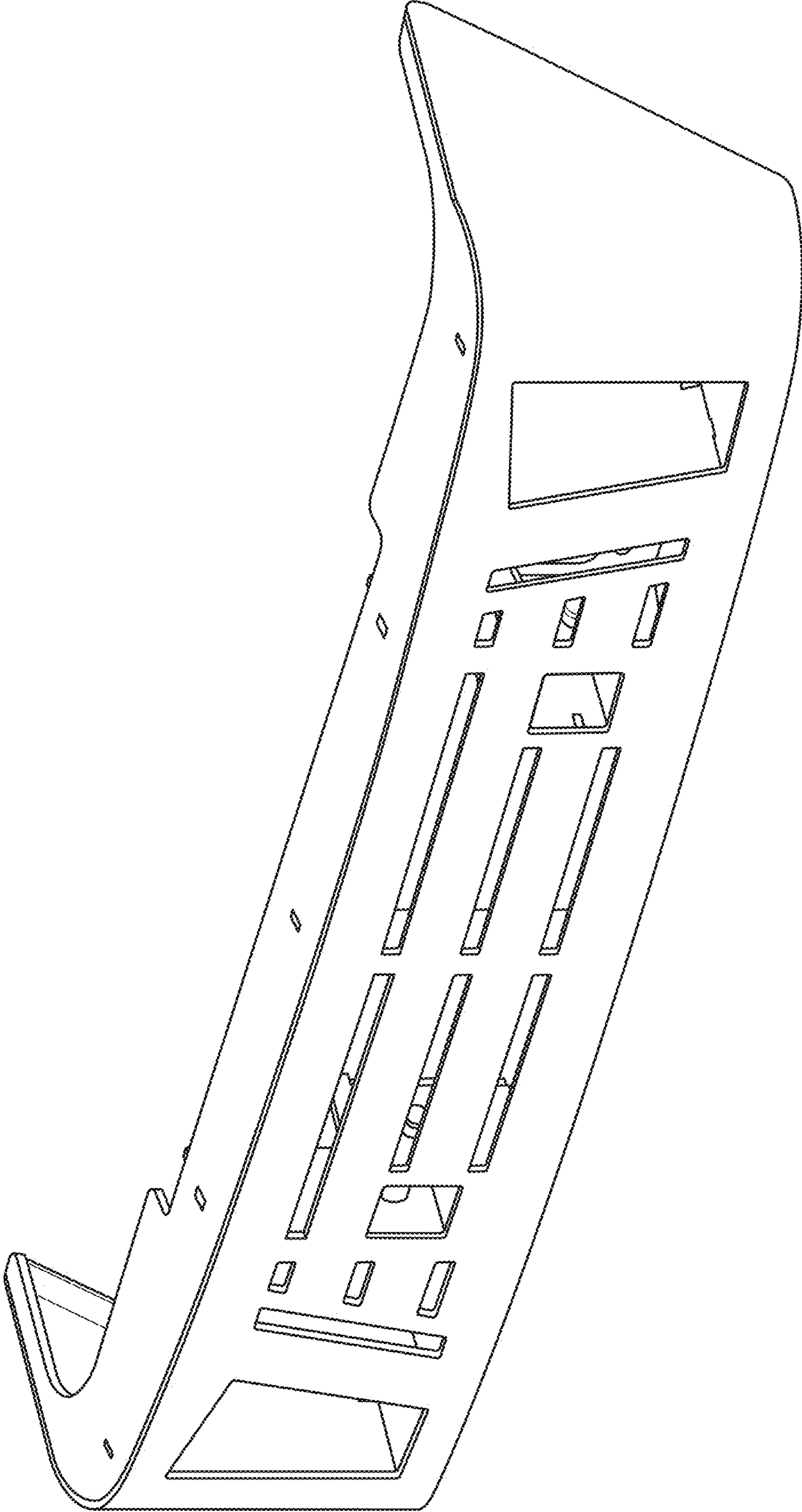


FIG. 7

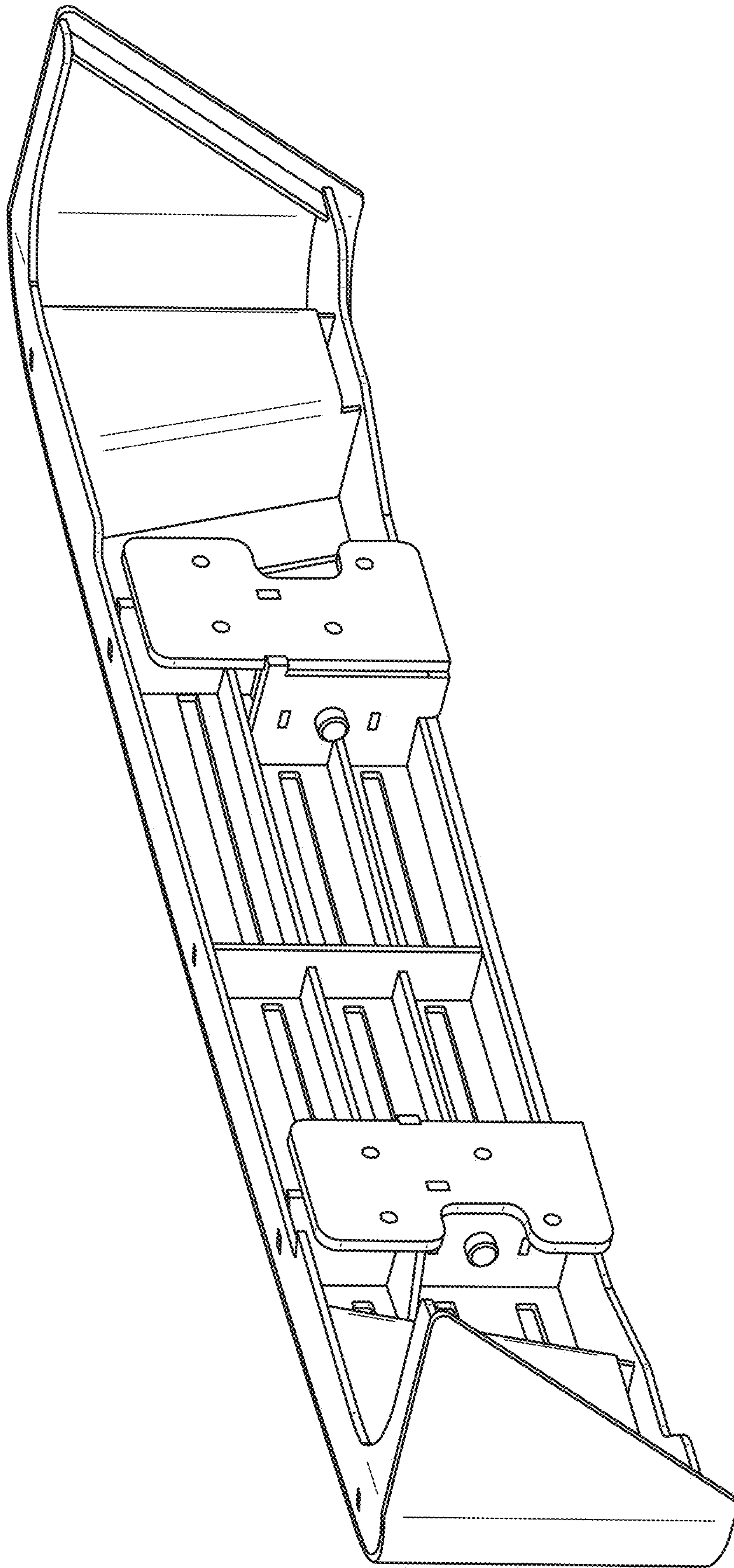


FIG. 8

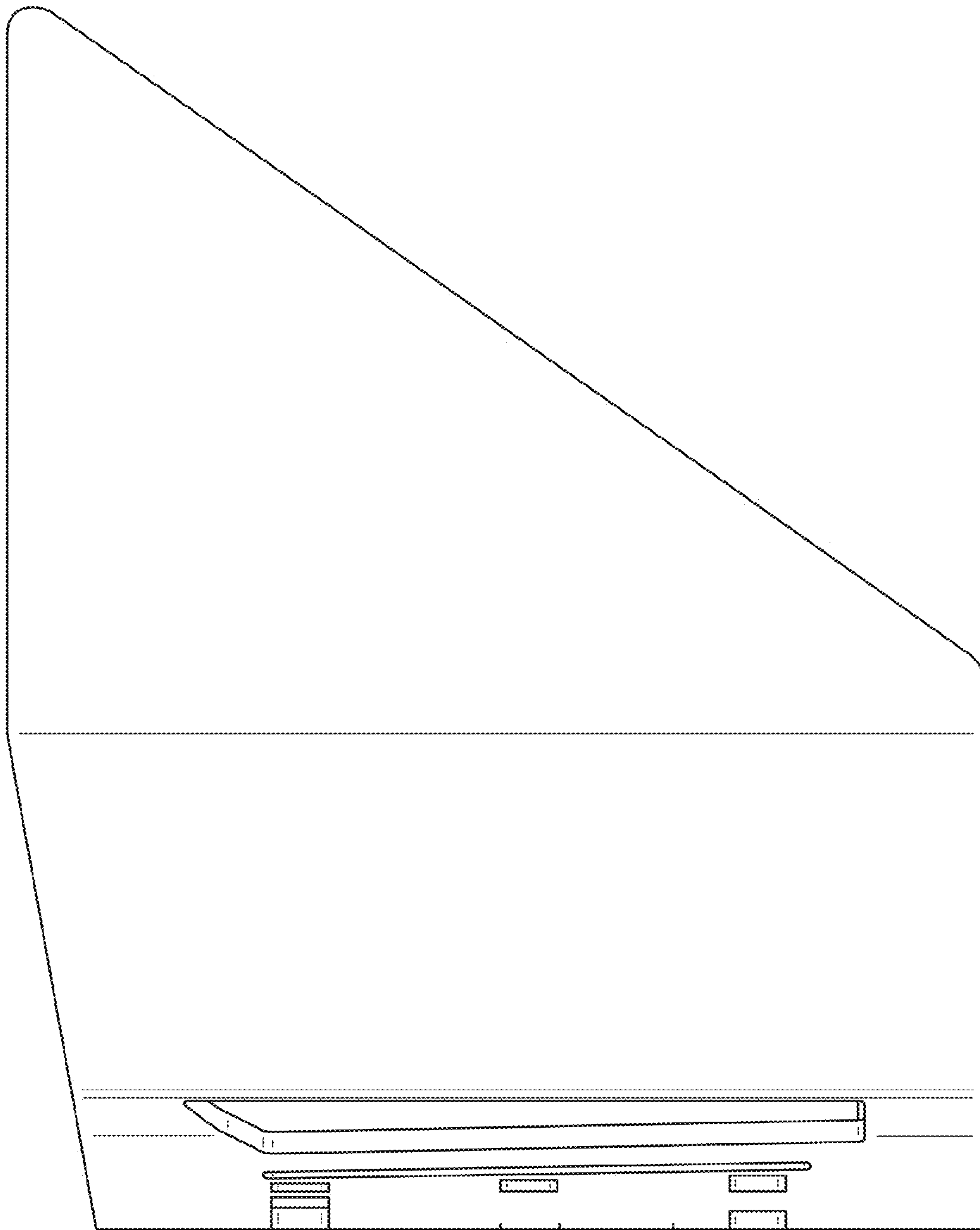


FIG. 9

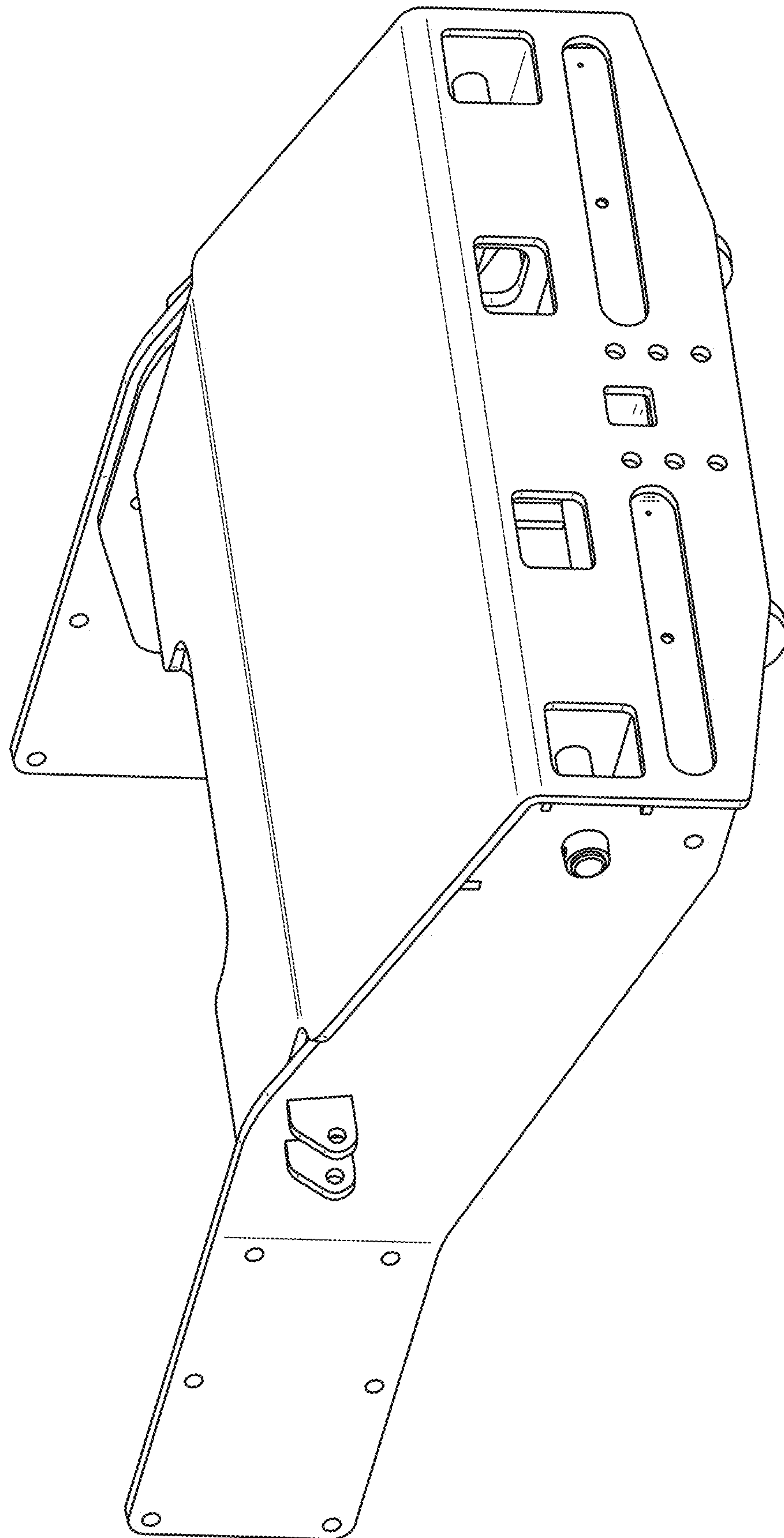


FIG. 10

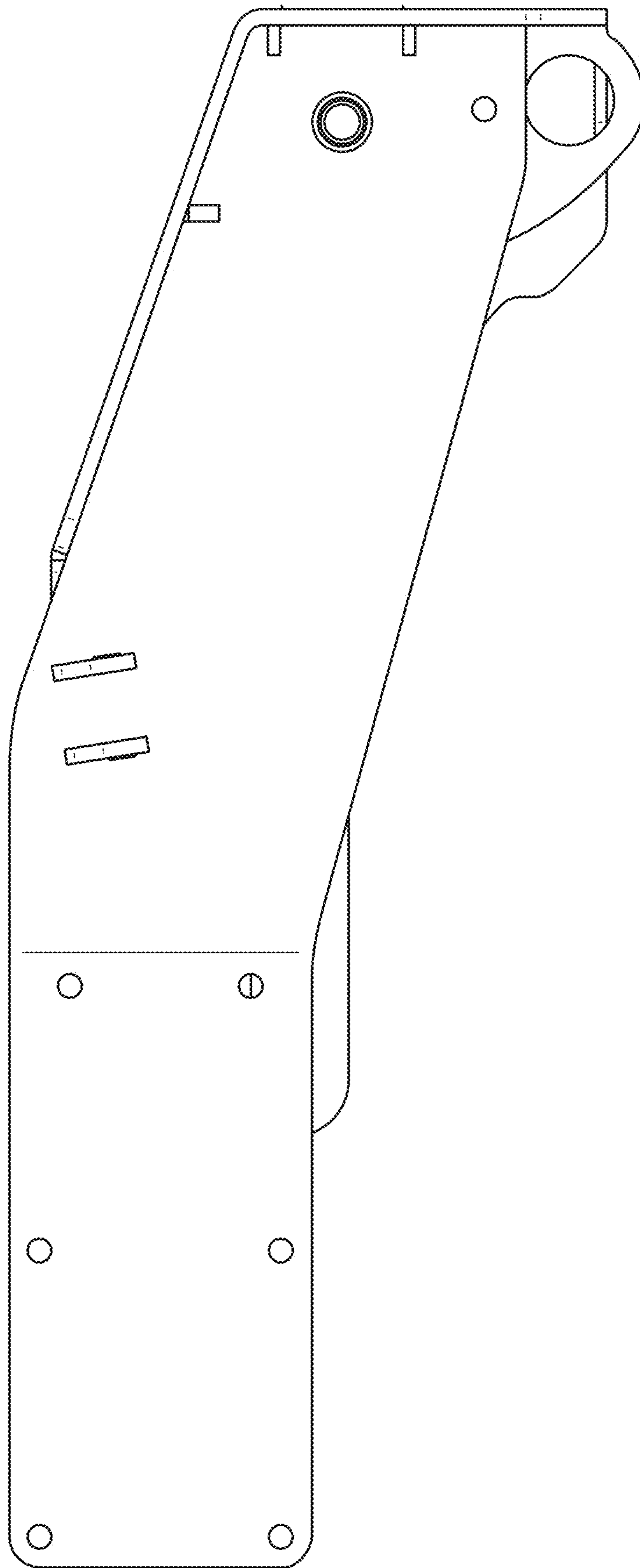


FIG. 11