



US00D884560S

(12) **United States Design Patent**  
**Ringer et al.**

(10) **Patent No.:** **US D884,560 S**

(45) **Date of Patent:** **\*\* May 19, 2020**

- (54) **TERMINAL TRACTOR**
- (71) Applicant: **Ring-Co, LLC**, Trafalgar, IN (US)
- (72) Inventors: **Chad A. Ringer**, Trafalgar, IN (US);  
**Jarrett D. Waters**, Camby, IN (US)
- (73) Assignee: **RING-CO., LLC**, Trafalgar, IN (US)
- (\*\*) Term: **15 Years**
- (21) Appl. No.: **29/628,428**
- (22) Filed: **Dec. 5, 2017**

6,286,964	B1 *	9/2001	Litmer	.....	B60R 1/06 150/154
6,454,035	B1 *	9/2002	Waskow	.....	B62D 33/067 180/69.21
6,682,130	B2 *	1/2004	Lustig	.....	B62D 25/10 296/146.12
D504,850	S *	5/2005	Gunter	.....	D12/169
D532,352	S *	11/2006	Angelo	.....	D12/184
D532,727	S *	11/2006	Schiavone	.....	D12/169
7,185,920	B2 *	3/2007	Drummond	.....	B62D 25/168 280/770
7,195,307	B2 *	3/2007	Tucker	.....	B62D 25/10 16/225
7,207,172	B2 *	4/2007	Willix	.....	B62D 25/10 60/274

(Continued)

**Related U.S. Application Data**

- (63) Continuation of application No. 15/074,174, filed on Mar. 18, 2016, now Pat. No. 9,868,481.
- (51) **LOC (12) Cl.** ..... **12-18**
- (52) **U.S. Cl.**  
USPC ..... **D12/93**
- (58) **Field of Classification Search**  
USPC ..... D12/166, 167, 169, 171, 172, 181, 183,  
D12/190, 196, 216  
CPC ..... B60R 1/06; B62D 25/10; B62D 25/16;  
B62D 25/168  
See application file for complete search history.

*Primary Examiner* — Susan Bennett Hattan  
*Assistant Examiner* — Suzanne E Tisdell  
 (74) *Attorney, Agent, or Firm* — Taft Stettinius & Hollister LLP; Derek B. Lavender

(57) **CLAIM**

The ornamental design for a terminal tractor, as shown and described.

**DESCRIPTION**

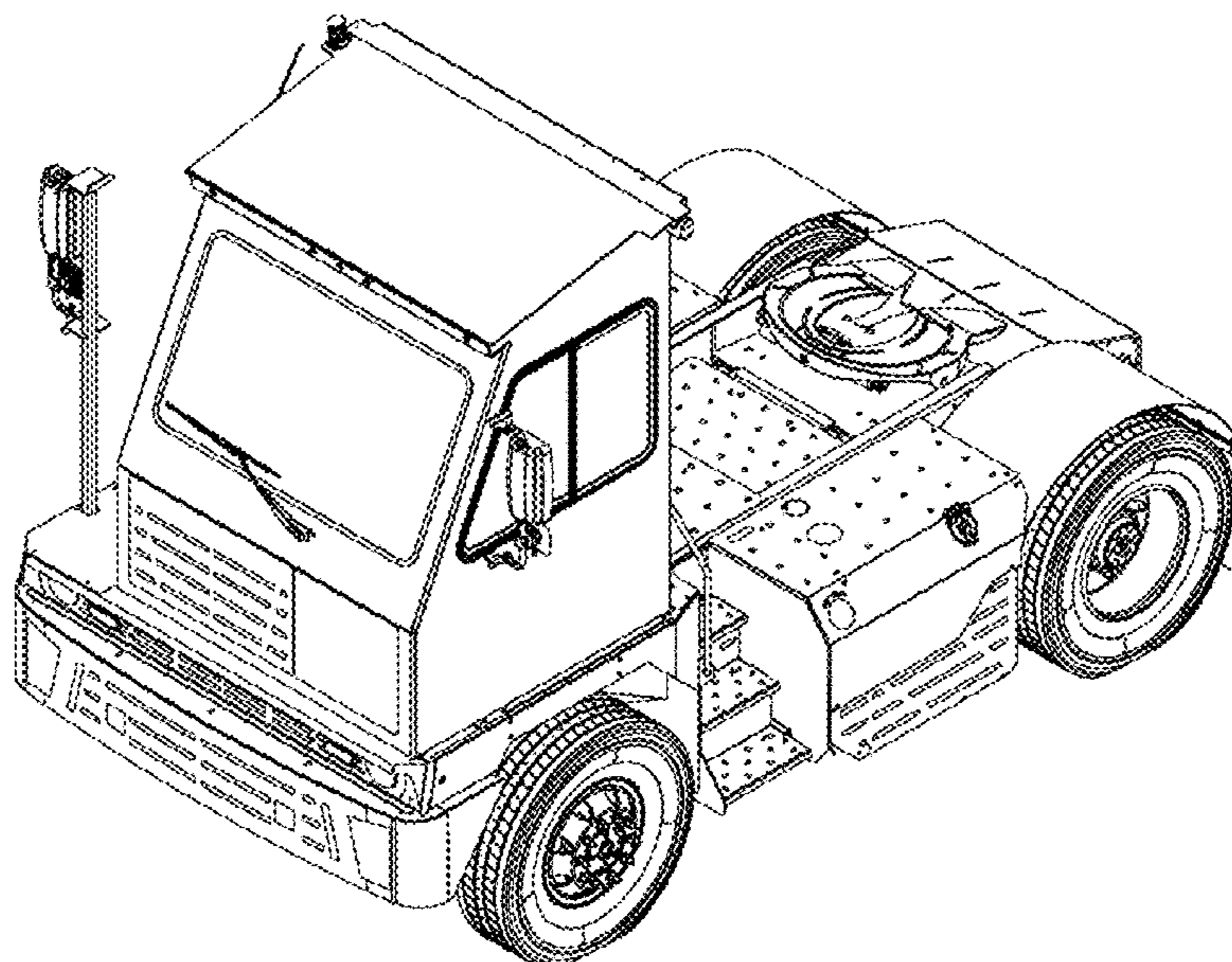
FIG. 1 is a front perspective view of a terminal tractor, showing our new design.  
 FIG. 2 is a rear perspective view of the terminal tractor of FIG. 1.  
 FIG. 3 is a front view of the terminal tractor of FIG. 1.  
 FIG. 4 is a left side view of the terminal tractor of FIG. 1.  
 FIG. 5 is a right side view of the terminal tractor of FIG. 1.  
 FIG. 6 is a rear view of the terminal tractor of FIG. 1; and, FIG. 7 is a top view of the terminal tractor of FIG. 1.  
 Any broken lines in the figures form no part of the claimed design.

(56) **References Cited**

**U.S. PATENT DOCUMENTS**

4,500,063	A *	2/1985	Schmidt	.....	B60R 1/06 248/314
D319,996	S *	9/1991	Thompson	.....	D12/100
D343,819	S *	2/1994	Meryman	.....	D12/181
D384,317	S *	9/1997	Jahnke	.....	D12/181
5,826,672	A *	10/1998	Holter	.....	B62D 25/10 180/69.21
D414,150	S *	9/1999	Sutton	.....	D12/181
5,947,520	A *	9/1999	McHorse	.....	B62D 35/001 280/154

**1 Claim, 7 Drawing Sheets**



(56)

References Cited

U.S. PATENT DOCUMENTS

7,240,753 B2 \* 7/2007 Ellerman ..... B62D 25/16  
180/69.2  
D557,191 S \* 12/2007 Curtis, Jr. .... D12/196  
D560,582 S \* 1/2008 Simons ..... D12/196  
D575,694 S \* 8/2008 Opfer ..... D12/169  
D575,696 S \* 8/2008 Gale ..... D12/169  
D617,242 S \* 6/2010 Lackore ..... D12/190  
D627,687 S \* 11/2010 Lewis ..... D12/12  
D654,417 S \* 2/2012 Peltola ..... D12/196  
8,226,158 B1 \* 7/2012 Jackson ..... B62D 25/168  
280/160  
D666,541 S \* 9/2012 Stimel, Jr. .... D12/181  
D673,489 S \* 1/2013 Hanson ..... D12/196  
D677,196 S \* 3/2013 Salaverry ..... D12/181  
8,469,443 B2 \* 6/2013 Case ..... B60J 9/02  
296/190.11  
D707,608 S \* 6/2014 Smith ..... D12/181

D709,421 S \* 7/2014 Conway ..... D12/196  
D709,424 S \* 7/2014 Conway ..... D12/196  
D709,425 S \* 7/2014 Conway ..... D12/196  
8,800,703 B2 \* 8/2014 Miller ..... B62D 25/10  
180/69.2  
8,905,445 B2 \* 12/2014 Critchley ..... B60R 19/18  
293/102  
9,221,398 B1 \* 12/2015 Englander ..... B60R 1/078  
9,233,722 B1 \* 1/2016 Bixby ..... B60R 3/02  
9,308,944 B2 \* 4/2016 Hanson ..... B62D 25/182  
D760,126 S \* 6/2016 Doyle ..... D12/169  
D770,350 S \* 11/2016 Lindsey ..... D12/196  
D780,081 S \* 2/2017 Lee ..... D12/184  
D782,381 S \* 3/2017 Conway ..... D12/196  
D785,521 S \* 5/2017 Smith ..... D12/181  
9,643,658 B2 \* 5/2017 Jaynes ..... B62D 25/168  
D789,856 S \* 6/2017 Wolff ..... D12/196  
D805,981 S \* 12/2017 Conway ..... D12/196  
D812,535 S \* 3/2018 Milton ..... D12/181  
D826,816 S \* 8/2018 Lokers ..... D12/196

\* cited by examiner

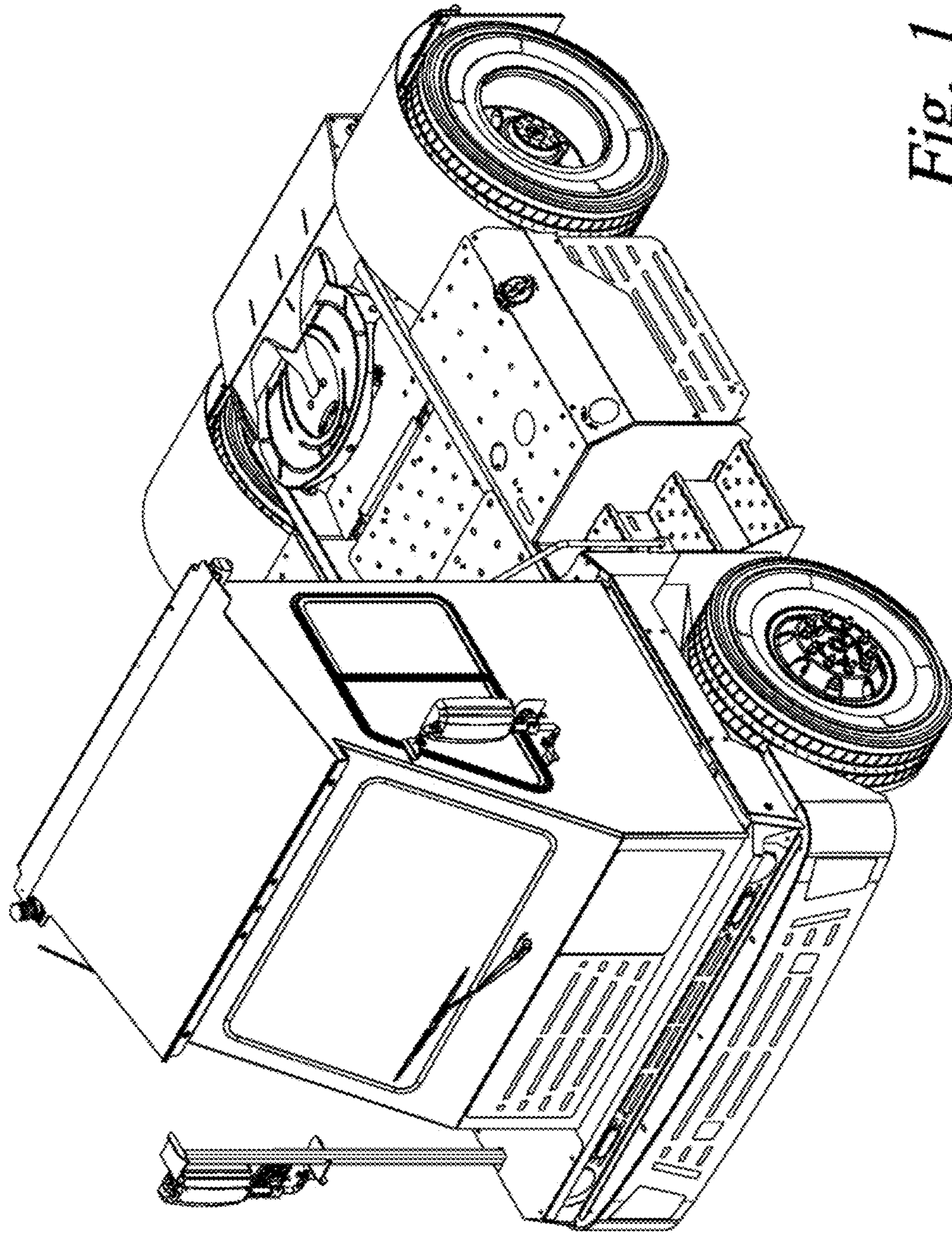
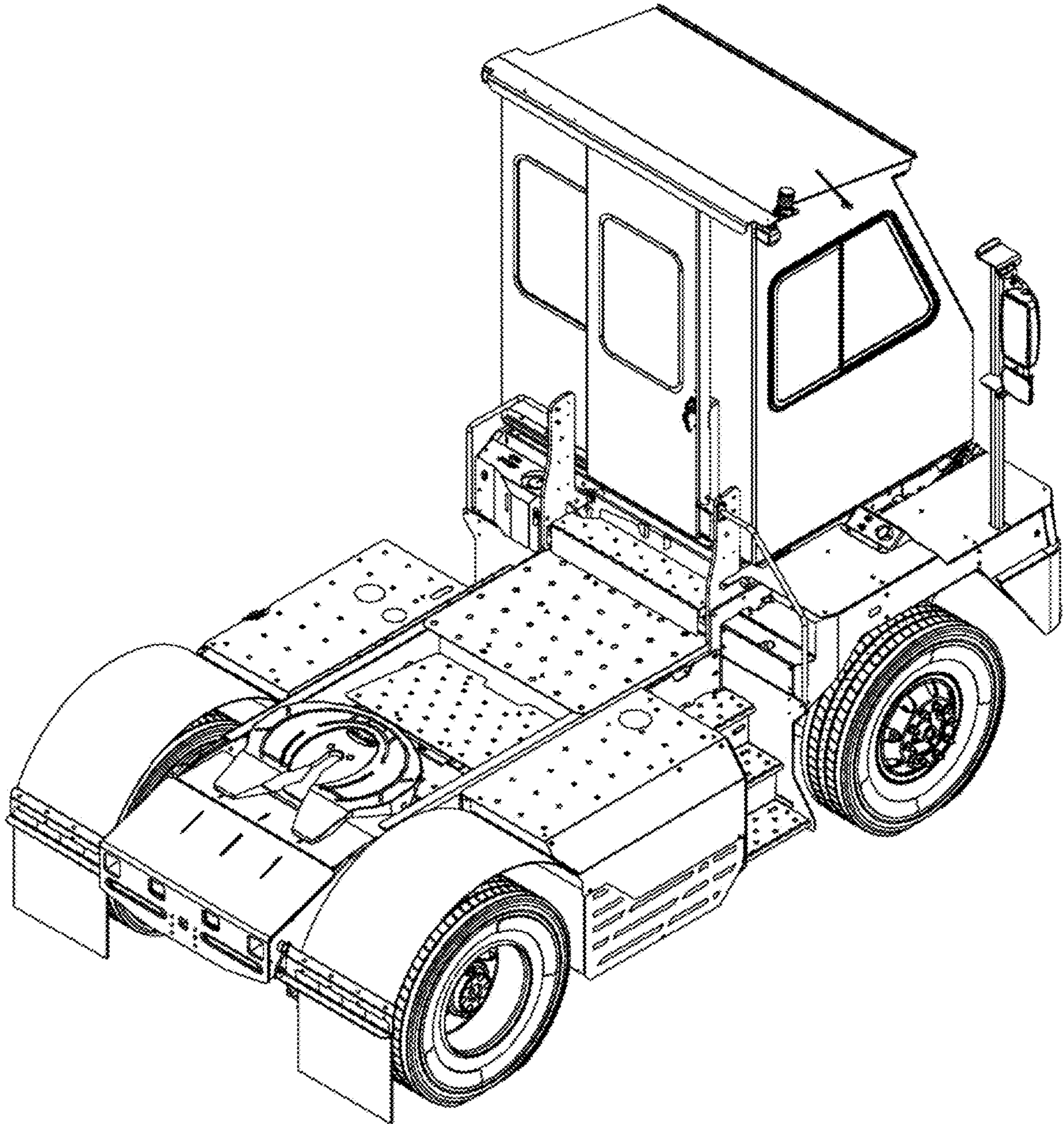
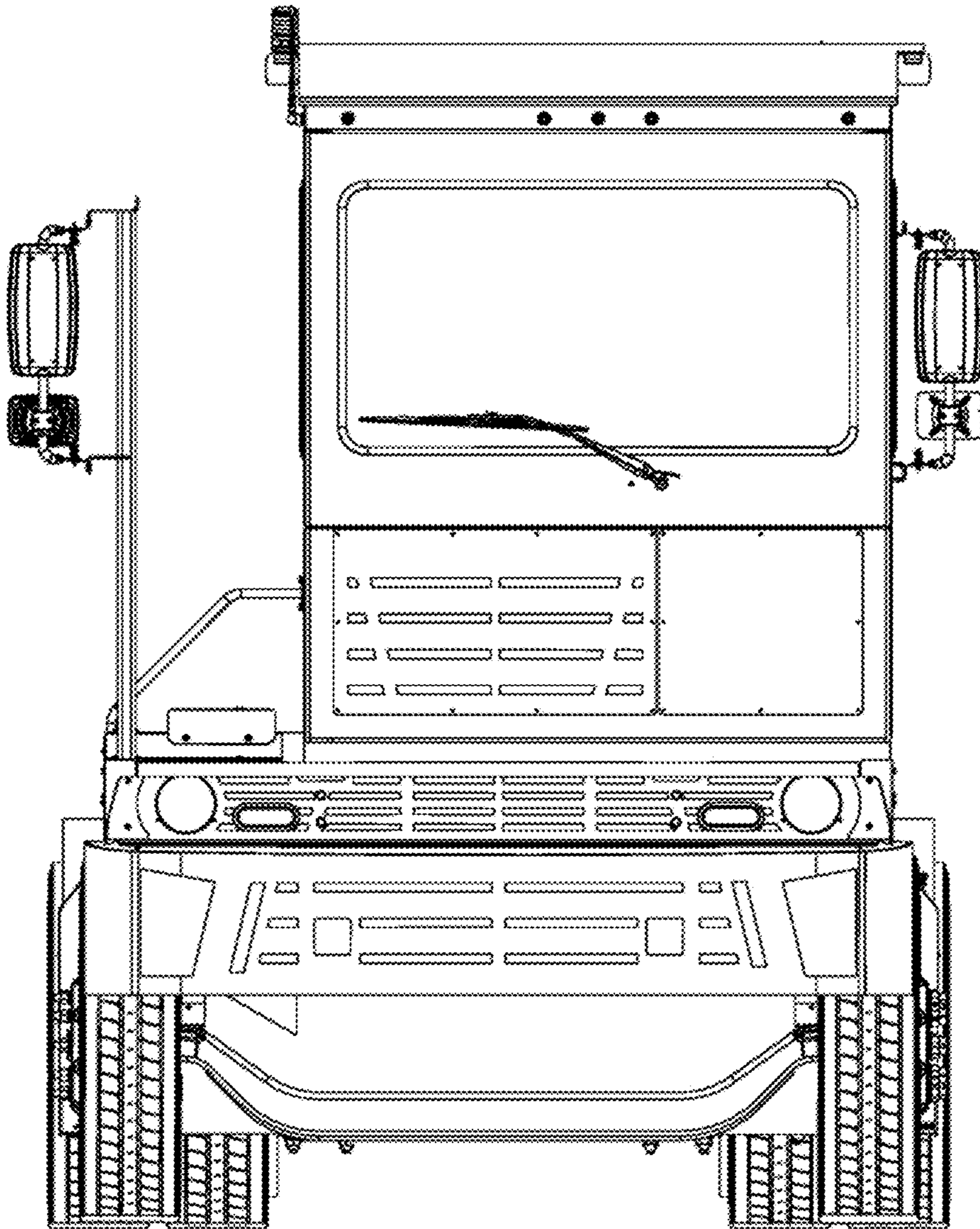


Fig. 1



*Fig. 2*



*Fig. 3*

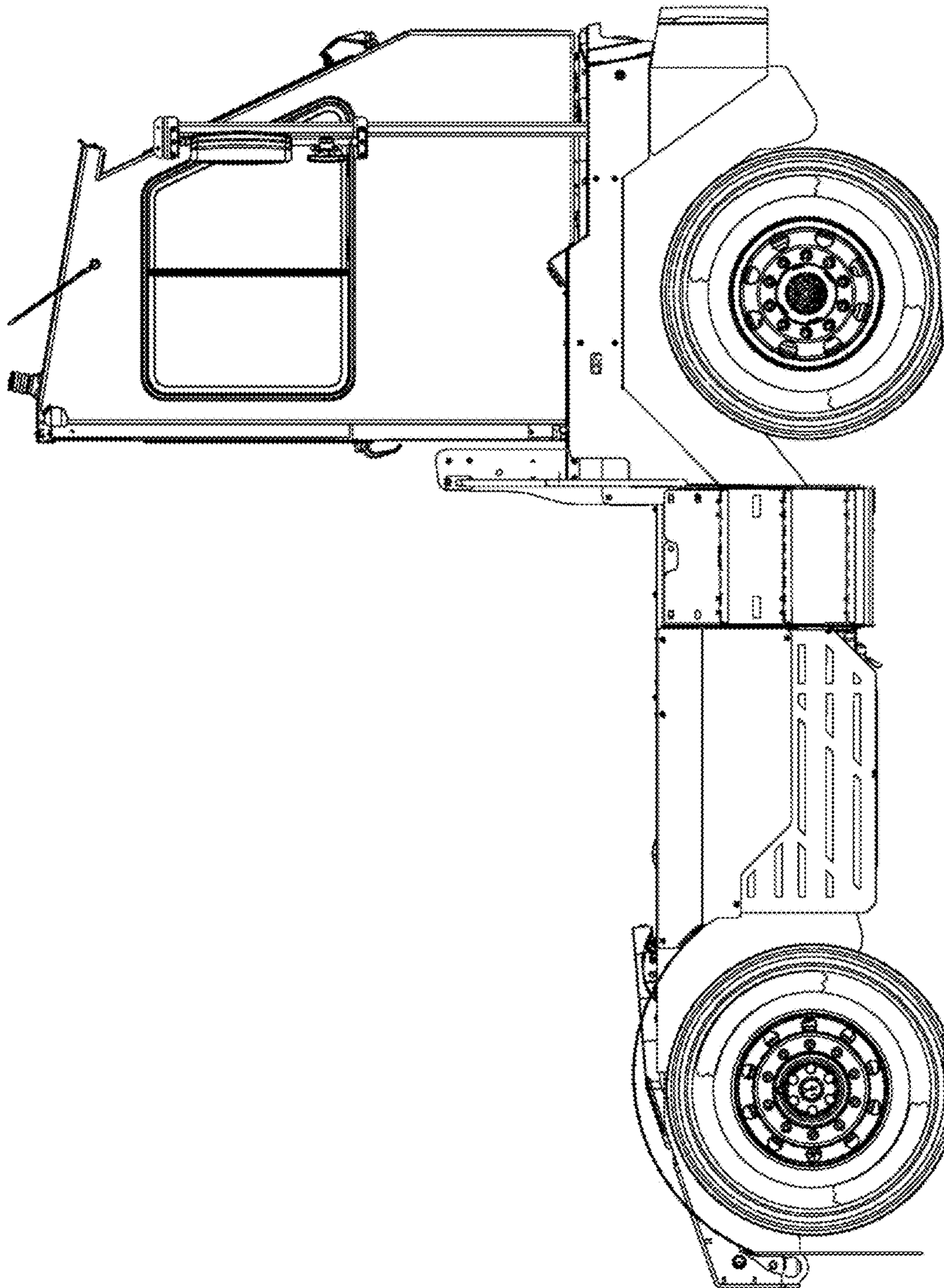
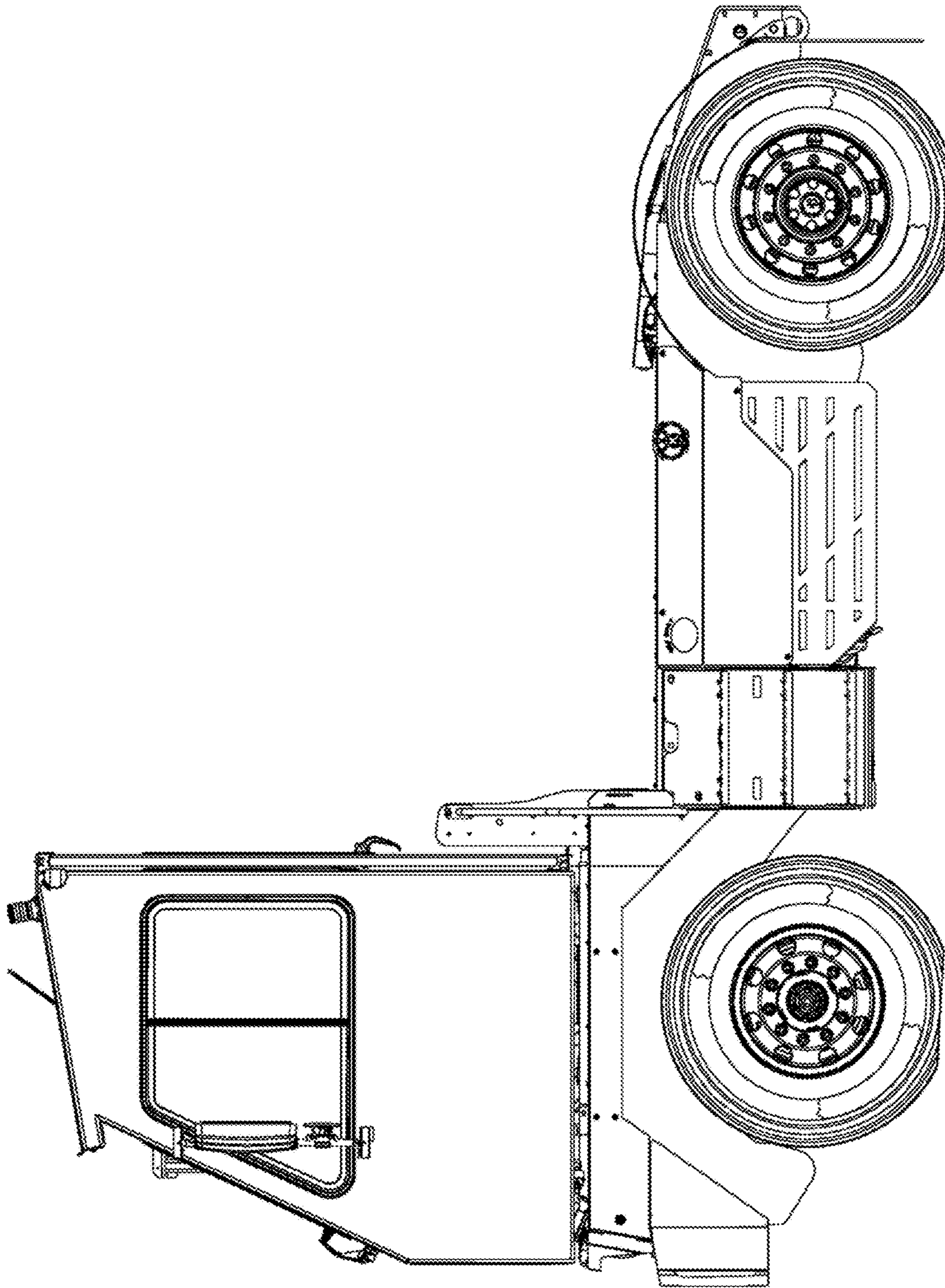
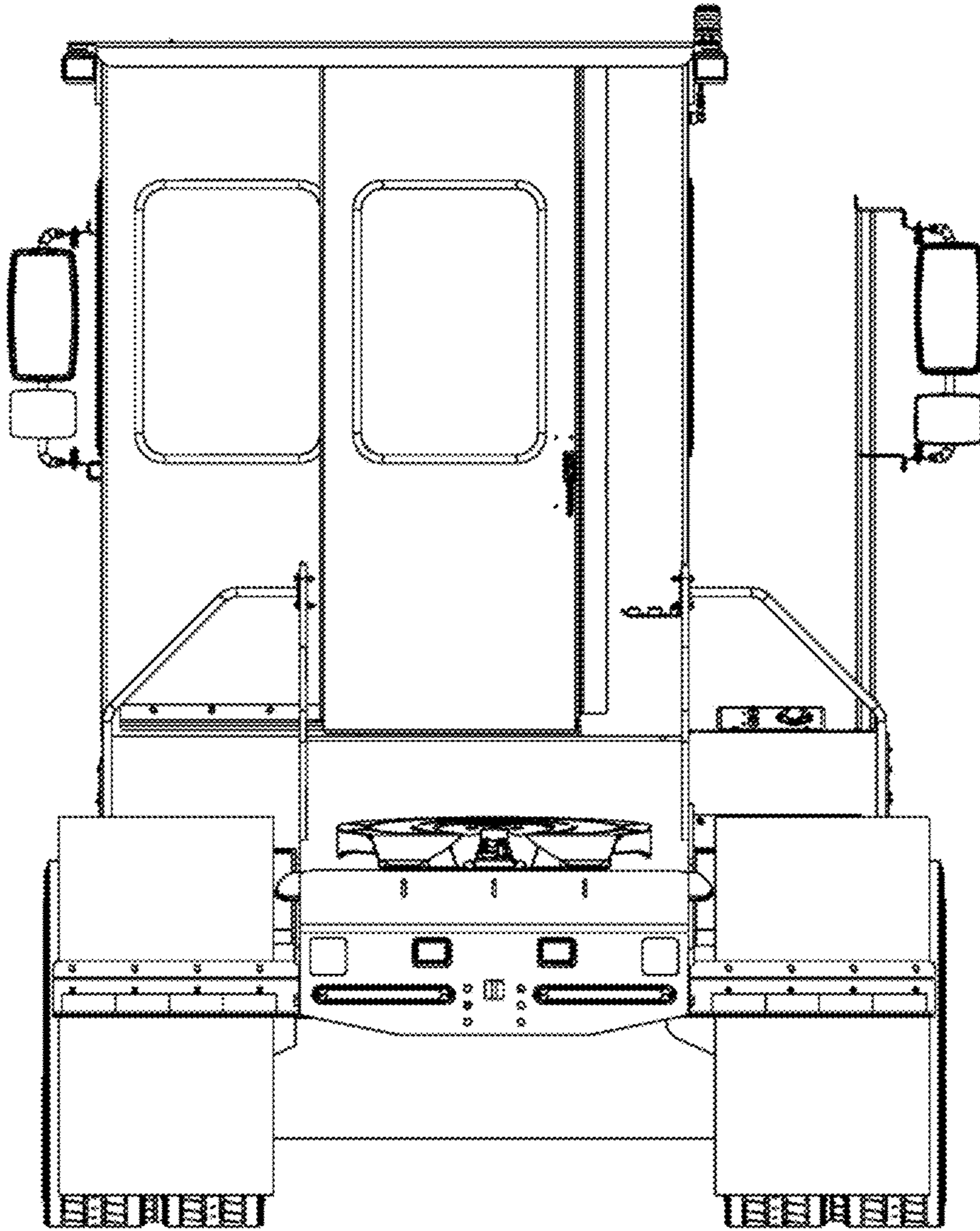


Fig. 4



*Fig. 5*



*Fig. 6*



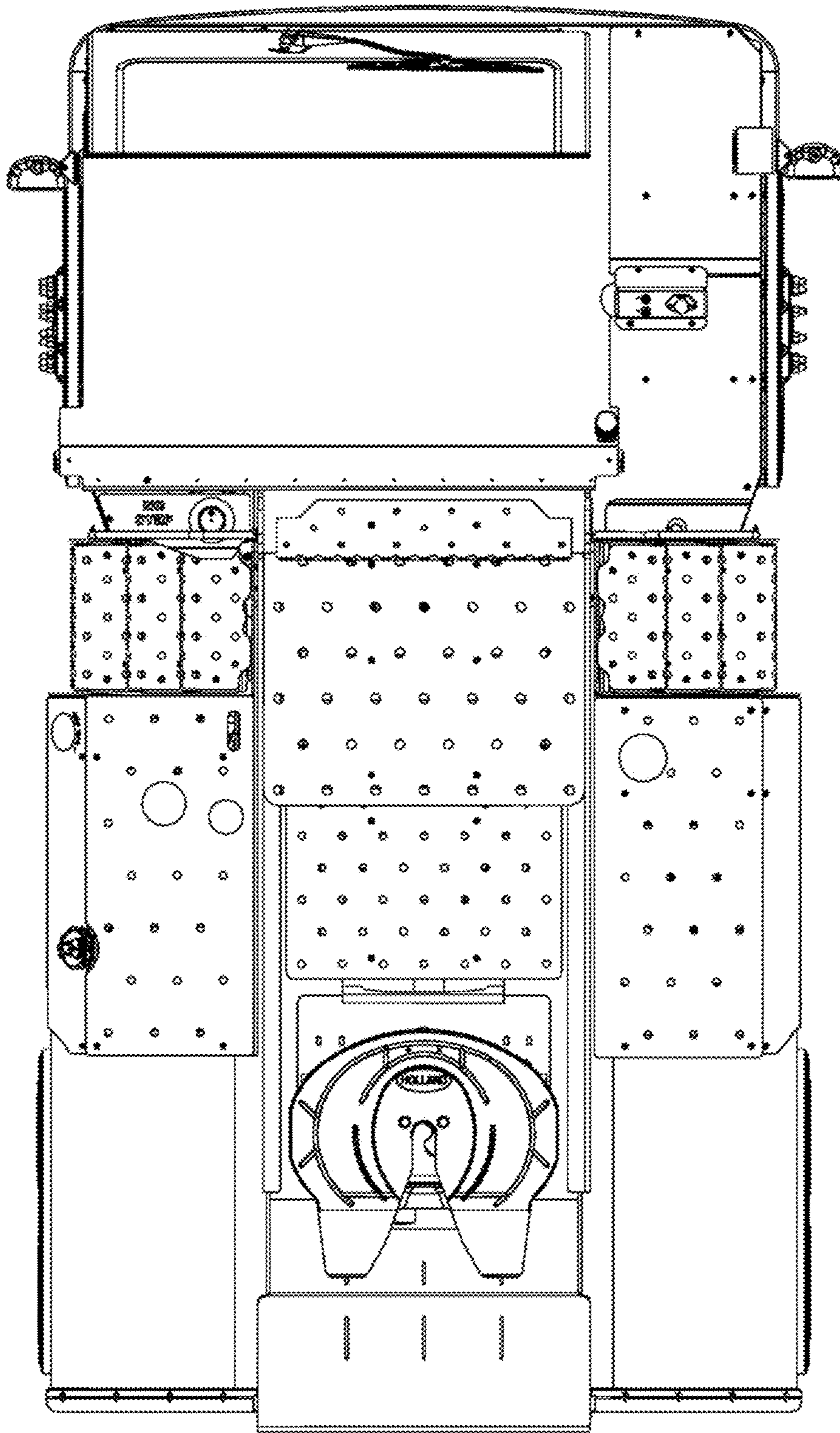


Fig. 7