



US00D884558S

(12) **United States Design Patent**
Tumulty, Jr.

(10) **Patent No.:** **US D884,558 S**

(45) **Date of Patent:** **** May 19, 2020**

- (54) **VEHICLE**
- (71) Applicant: **Terry Tumulty, Jr.**, Bridgeville, PA
(US)
- (72) Inventor: **Terry Tumulty, Jr.**, Bridgeville, PA
(US)
- (**) Term: **15 Years**
- (21) Appl. No.: **29/676,327**
- (22) Filed: **Jan. 10, 2019**
- (51) **LOC (12) Cl.** **12-08**
- (52) **U.S. Cl.**
USPC **D12/87; D21/562**
- (58) **Field of Classification Search**
USPC D12/1, 82, 86, 87, 90-92; D21/424, 433,
D21/434, 562
CPC B62D 21/02; B62D 21/183; B62D 23/005;
B62D 65/02
See application file for complete search history.

D586,261 S *	2/2009	Burns	D12/87
D586,695 S *	2/2009	Burns	D12/87
D586,696 S *	2/2009	Burns	D12/87
D639,207 S *	6/2011	Danisi	D12/82
D651,133 S *	12/2011	Liebl	D12/86
D690,618 S *	10/2013	Gordon	D12/82
8,944,492 B2 *	2/2015	Hufnagl	B62D 21/183 296/190.01
9,815,346 B2 *	11/2017	Suzuki	B60K 5/00
D816,009 S *	4/2018	Reynolds	D12/222
D829,831 S *	10/2018	Redlin	D21/562
D857,555 S *	8/2019	Ewing	D12/87
D879,663 *	3/2020	Barlow, Jr.	D12/87
2007/0000715 A1 *	1/2007	Denney	B62D 21/08 180/311
2015/0210319 A1 *	7/2015	Tiramani	B62D 21/183 280/756
2019/0031260 A1 *	1/2019	Filion	B62D 65/02

* cited by examiner

Primary Examiner — Darlington Ly
(74) *Attorney, Agent, or Firm* — Greer, Burns & Crain,
Ltd.

(57) **CLAIM**

The ornamental design for a vehicle, as shown and described.

DESCRIPTION

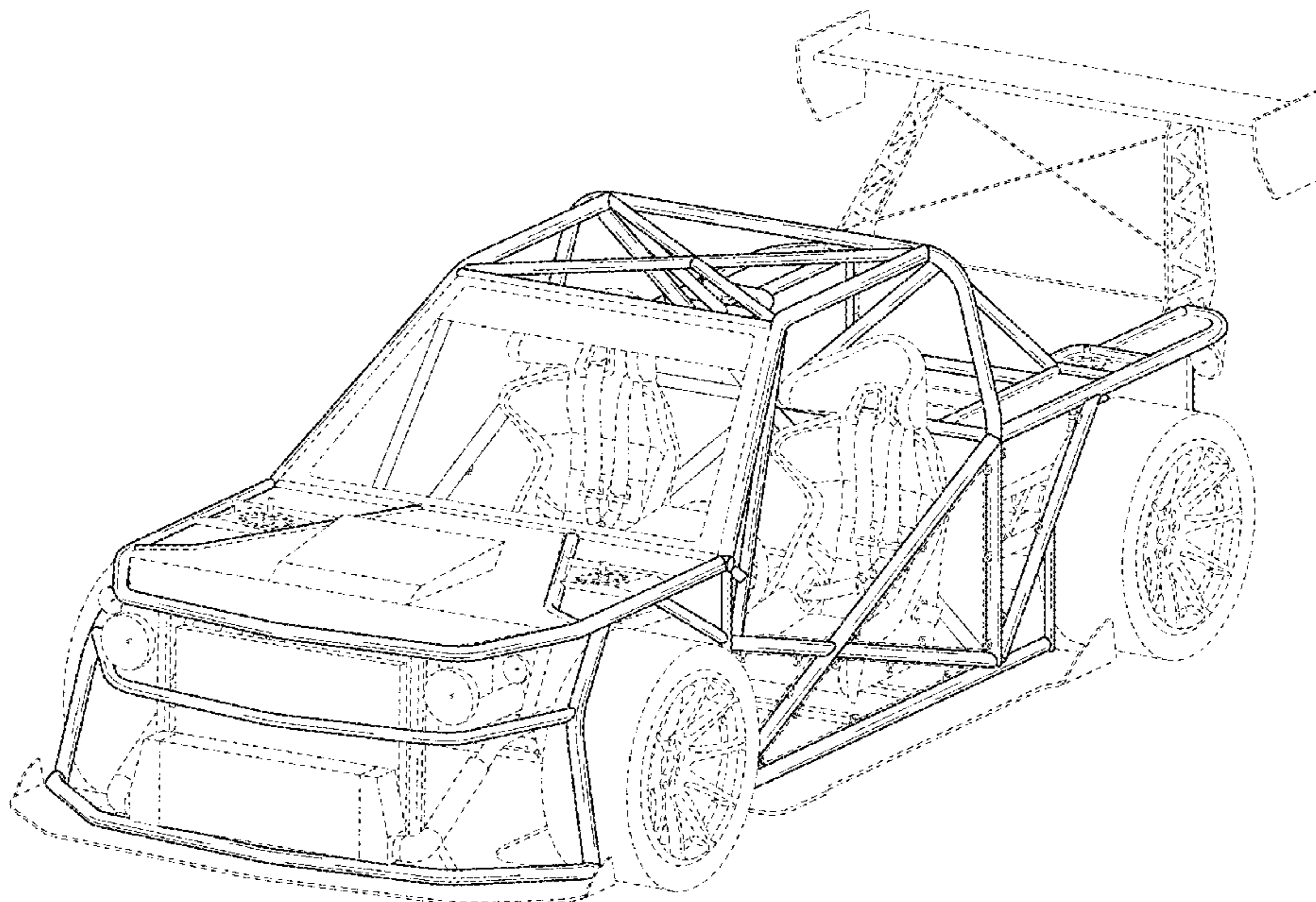
FIG. 1 is a front and left side perspective view of a vehicle showing my new design;
FIG. 2 is a front elevation view thereof;
FIG. 3 is a rear elevation view thereof;
FIG. 4 is a left side elevation view thereof;
FIG. 5 is a right side elevation view thereof; and,
FIG. 6 is a top plan view thereof.
The broken lines in the drawings illustrate portions of the vehicle that form no part of the claimed design.

1 Claim, 6 Drawing Sheets

(56) **References Cited**

U.S. PATENT DOCUMENTS

5,848,853 A *	12/1998	Clenet	B62D 23/005 403/272
5,855,386 A *	1/1999	Atkins	B60G 3/06 180/400
6,799,781 B2 *	10/2004	Rasidescu	B62K 5/01 180/311
D503,658 S *	4/2005	Lu	D12/87
6,908,108 B1 *	6/2005	Scarla	A63H 17/262 280/756
D564,410 S *	3/2008	Lepage	D12/87
D579,029 S *	10/2008	Harsh	D15/33
D585,788 S *	2/2009	Burns	D12/87
D585,789 S *	2/2009	Burns	D12/87
D585,790 S *	2/2009	Burns	D12/87
D586,260 S *	2/2009	Burns	D12/87



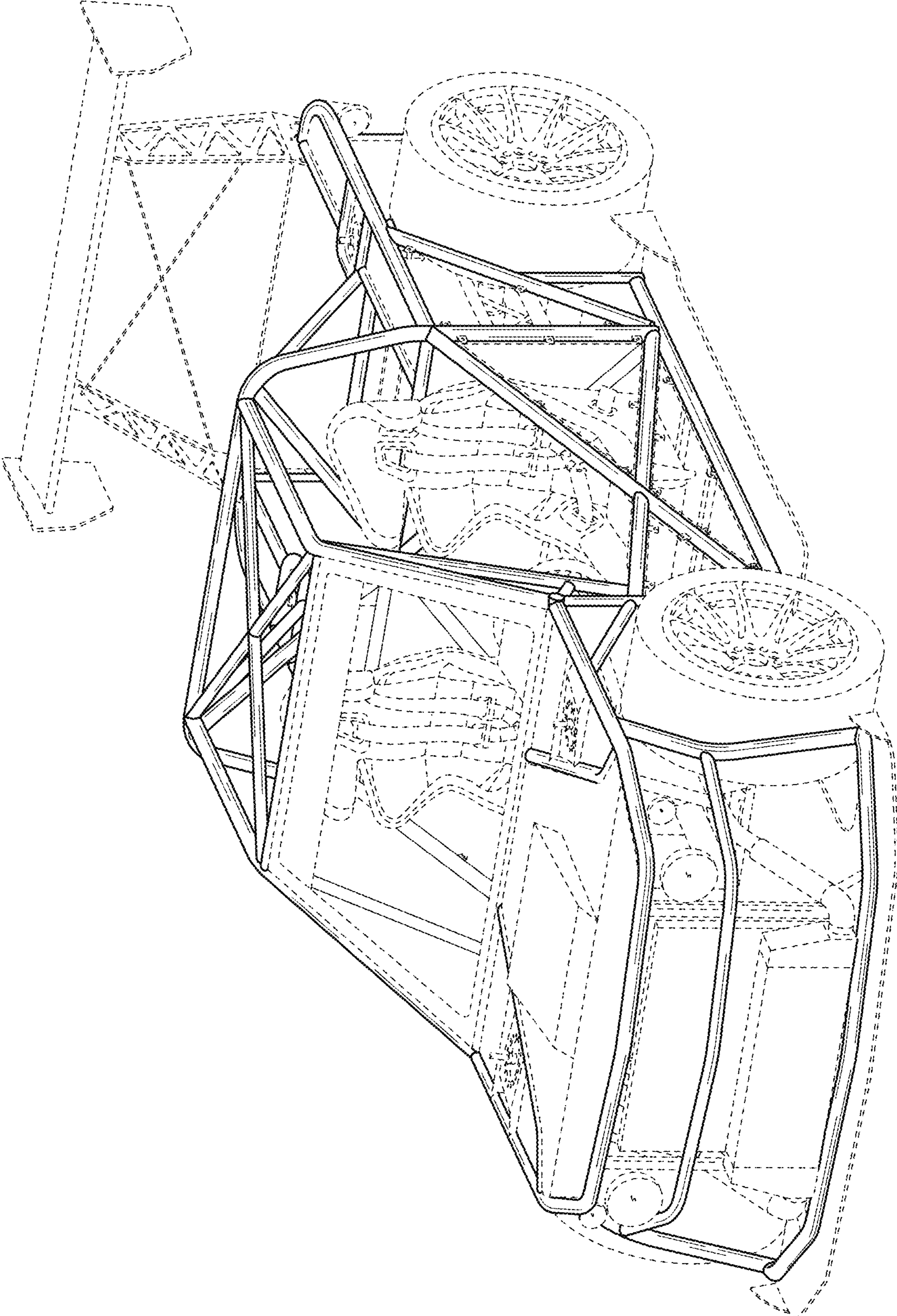


FIG. 1

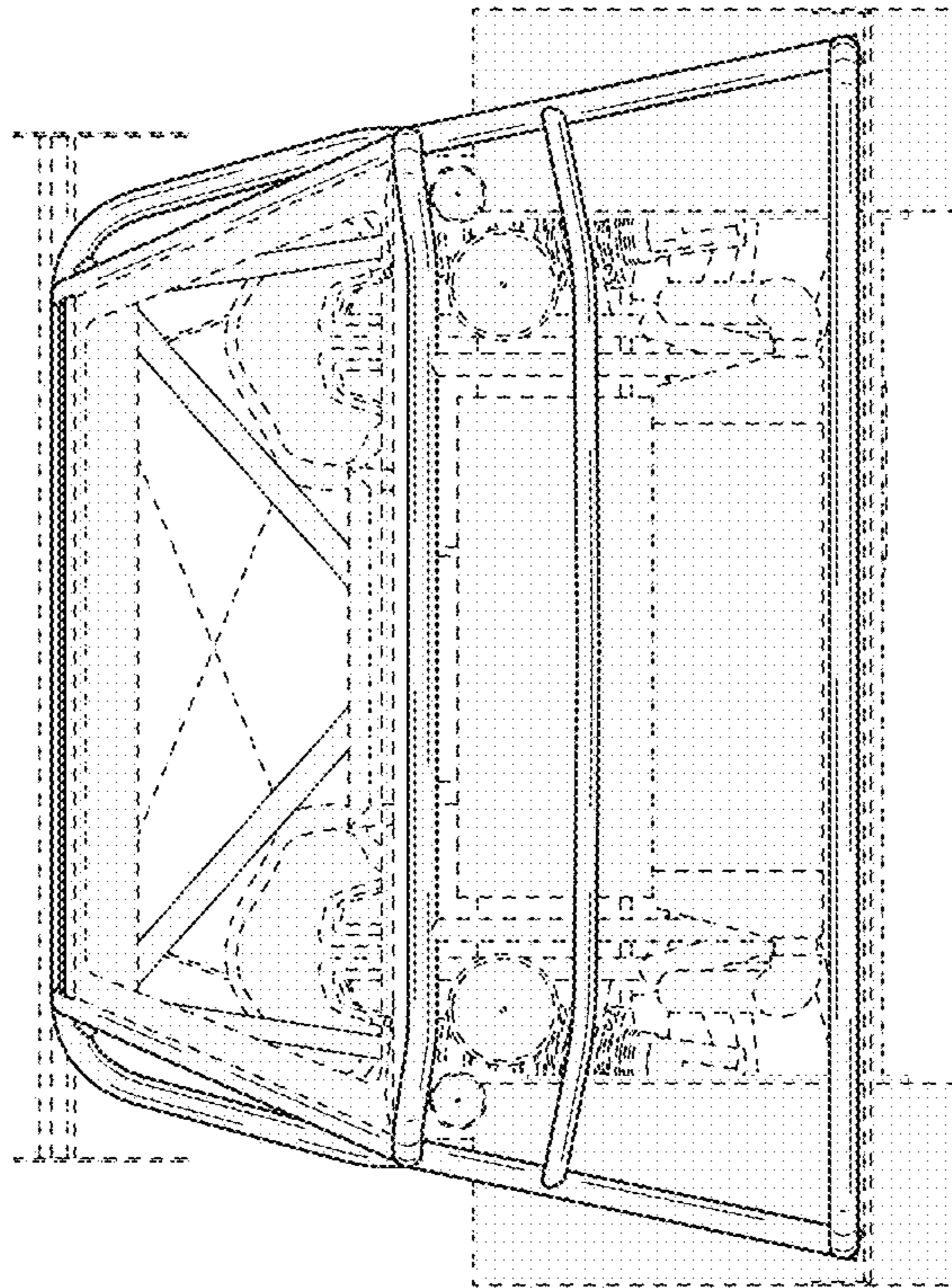


FIG. 2

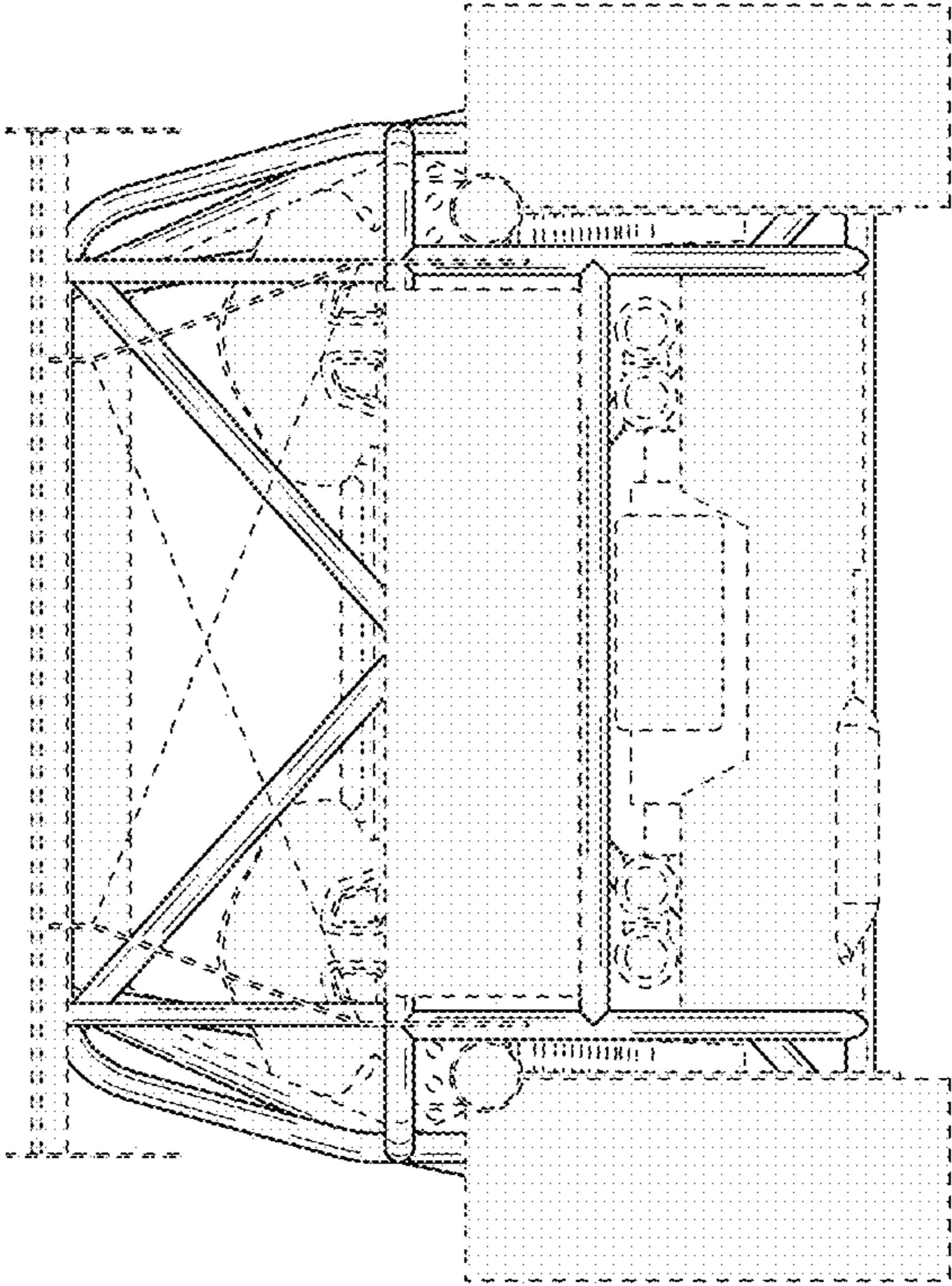


FIG. 3

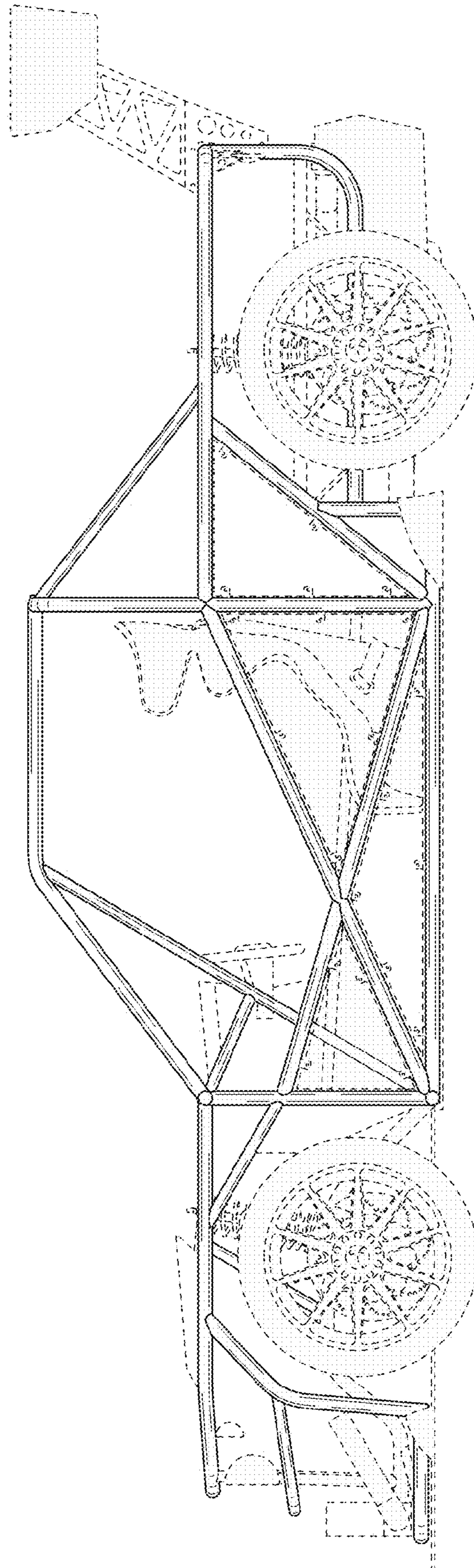


FIG. 4

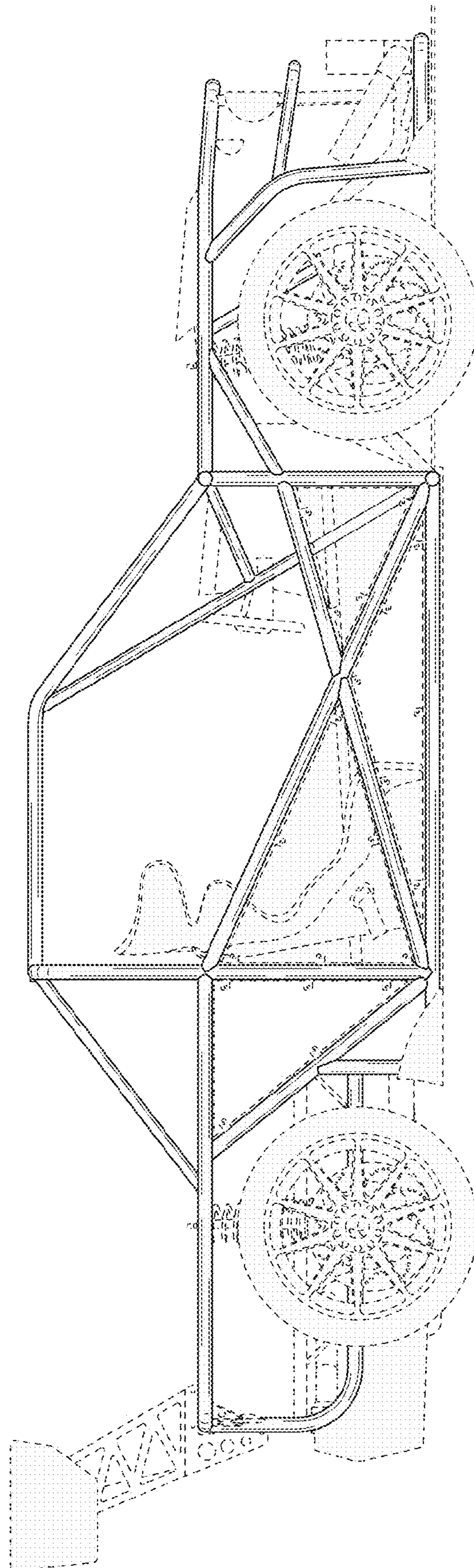


FIG. 5

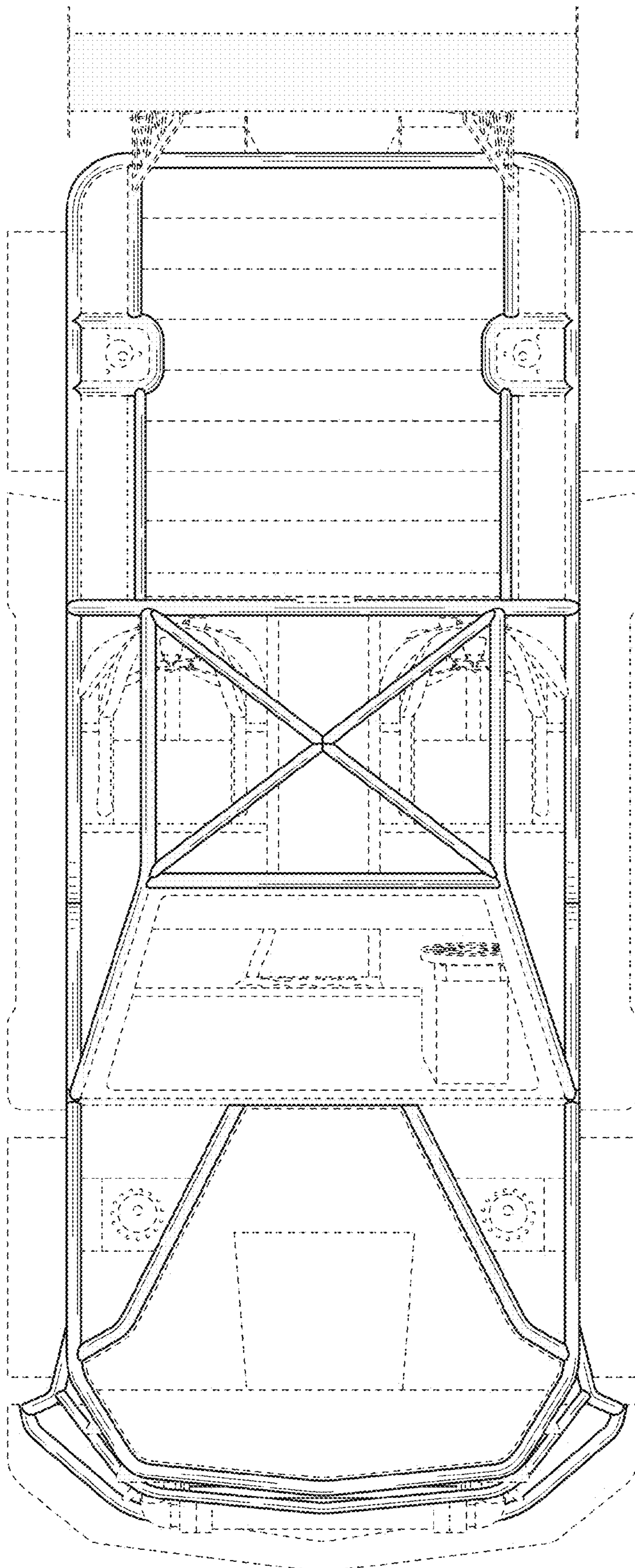


FIG. 6