



US00D884556S

(12) **United States Design Patent** (10) **Patent No.:** **US D884,556 S**
Knapp et al. (45) **Date of Patent:** **** May 19, 2020**

(54) **COVERED WAGON DOOR AND WINDOW**
 (71) Applicant: **Conestoga Wagon Co. LLC**, Jackson, WY (US)
 (72) Inventors: **Michael Knapp**, Bloomington, ID (US); **Richard Smart**, Bloomington, ID (US)
 (73) Assignee: **Conestoga Wagon Co. LLC**, Bloomington, ID (US)

2,786,710 A 3/1957 Chapman
 D180,538 S 6/1957 Strauss
 D189,395 S * 12/1960 Fogelsonger D12/405
 D216,532 S 2/1970 Foster
 3,515,426 A 6/1970 Gerber
 D223,674 S 5/1972 Johnson
 3,708,198 A * 1/1973 Coons B60P 3/36
 296/162
 D235,901 S 7/1975 Zick
 3,923,336 A * 12/1975 Price, Sr. B60P 3/341
 296/161
 RE29,264 E 6/1977 Woodward
 4,057,283 A * 11/1977 Barnett B60P 3/341
 296/173
 4,198,996 A 4/1980 Keable
 (Continued)

(**) Term: **15 Years**

(21) Appl. No.: **29/695,493**

(22) Filed: **Jun. 19, 2019**

(51) **LOC (12) Cl.** **12-01**

(52) **U.S. Cl.**
USPC **D12/18**

(58) **Field of Classification Search**
 USPC D12/18, 85, 96, 94, 100, 101, 102, 103,
 D12/104, 15, 106, 401, 403, 404, 405, 17,
 D12/19, 20; D21/834, 836, 837; D25/1,
 D25/7, 11, 17, 18, 48.3
 CPC B62D 63/061; B62D 63/062; B62D 63/08;
 B62D 63/06; B60P 3/32; B60P 3/335;
 B60P 3/34; B60P 3/36; B60P 3/38; B60P
 3/341; E04H 15/06; E04H 15/008
 See application file for complete search history.

(56) **References Cited**

U.S. PATENT DOCUMENTS

604,575 A 5/1898 Bauer
 D33,600 S 11/1900 Reid
 849,675 A 4/1907 Gilleland
 941,195 A 11/1909 Hardin
 1,856,280 A 5/1932 Helms
 D102,304 S * 12/1936 Pellow D25/11
 D163,111 S 5/1951 Gibbon
 D175,871 S * 10/1955 Webster D12/100

OTHER PUBLICATIONS

The Rock Ranch Conestoga Wagons, <https://therockranch.com/conestoga-wagon-camping/>, 6 pages, retrieved on Jul. 19, 2019.

Primary Examiner — T Chase Nelson

Assistant Examiner — Ania Aman

(74) *Attorney, Agent, or Firm* — Seth Black; Black IP, PLLC

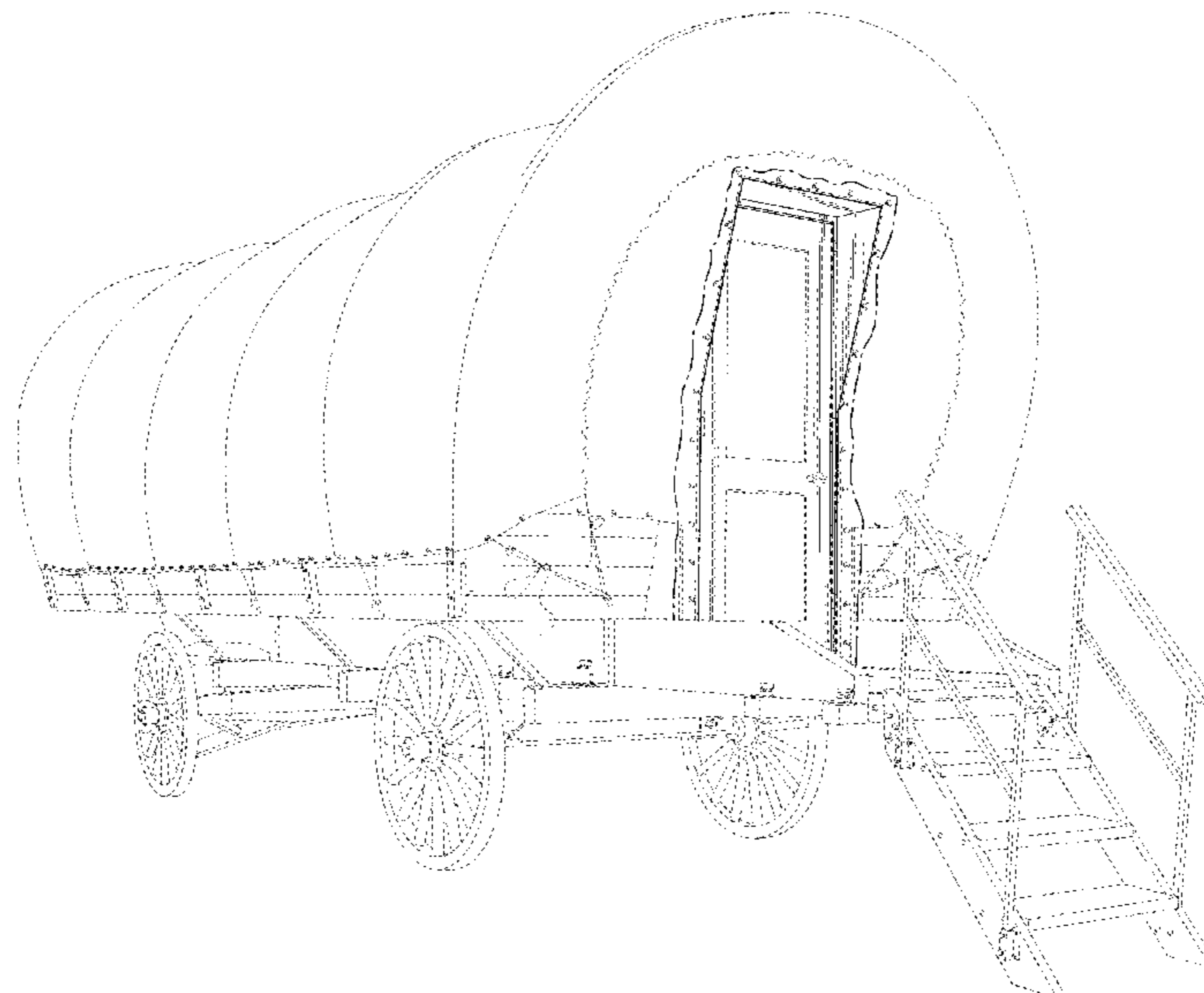
(57) **CLAIM**

The ornamental design for a covered wagon door and window, as shown and described.

DESCRIPTION

FIG. 1 is a rear, right side perspective view of a covered wagon door and window showing our new design; FIG. 2 is a rear elevational view thereof; FIG. 3 is a front, left side perspective view thereof; and, FIG. 4 is a front elevational view thereof.
 In the drawings, the dash-dot-dash broken lines depict claim boundaries and form no part of the claim; the evenly spaced broken lines illustrate portions of the article that form no part of the claimed design.

1 Claim, 4 Drawing Sheets



(56)

References Cited

U.S. PATENT DOCUMENTS

4,649,947 A 3/1987 Tury
 D291,074 S * 7/1987 Ravana D12/403
 D299,753 S * 2/1989 Virgilio D25/15
 4,802,500 A * 2/1989 Davis E04H 15/008
 135/136
 4,830,036 A 5/1989 Sanders
 4,901,745 A 2/1990 Rice
 D308,357 S * 6/1990 Hammero D12/315
 5,447,354 A 9/1995 Delp
 5,582,456 A * 12/1996 Hammond B60J 1/2011
 135/88.07
 5,669,655 A * 9/1997 Hammond B60J 1/2011
 296/165
 5,678,882 A * 10/1997 Hammond B60J 1/2011
 160/105
 5,806,906 A * 9/1998 Hammond B60J 1/2011
 296/165
 5,833,251 A 11/1998 Peck
 6,152,461 A 11/2000 Dunks
 6,454,340 B1 9/2002 Miller
 6,637,369 B1 10/2003 Landon
 6,679,009 B2 1/2004 Hotes
 7,118,163 B1 * 10/2006 Overcash B60J 5/101
 296/146.8
 7,273,245 B2 9/2007 Ray

7,540,555 B2 * 6/2009 Stabile, Jr. B60P 3/341
 135/88.15
 7,588,045 B2 9/2009 Goodwin
 7,740,022 B2 6/2010 Li
 8,181,661 B2 5/2012 Livacich
 D676,493 S 2/2013 Bengyak
 D797,312 S * 9/2017 Cox D25/48.3
 D797,954 S * 9/2017 Allen D25/48.3
 D800,920 S * 10/2017 Gouge D25/48.3
 D837,406 S * 1/2019 Cox D25/48.3
 D844,850 S * 4/2019 Cox D25/48.3
 D851,280 S * 6/2019 Gouge D25/48.3
 2002/0008406 A1 * 1/2002 Phillips B60P 3/341
 296/164
 2002/0109374 A1 * 8/2002 Cargill B60P 3/341
 296/159
 2004/0212218 A1 * 10/2004 Stabile, Jr. B60P 3/341
 296/159
 2004/0226597 A1 11/2004 McCampbell
 2007/0079855 A1 4/2007 Li
 2008/0202708 A1 8/2008 Opendo
 2008/0210283 A1 9/2008 Hinz
 2009/0179455 A1 7/2009 Ogden
 2009/0320893 A1 12/2009 Engstrom
 2010/0230999 A1 * 9/2010 Setzer B60P 3/341
 296/173
 2010/0326485 A1 12/2010 Li
 2011/0278877 A1 11/2011 Kim

* cited by examiner

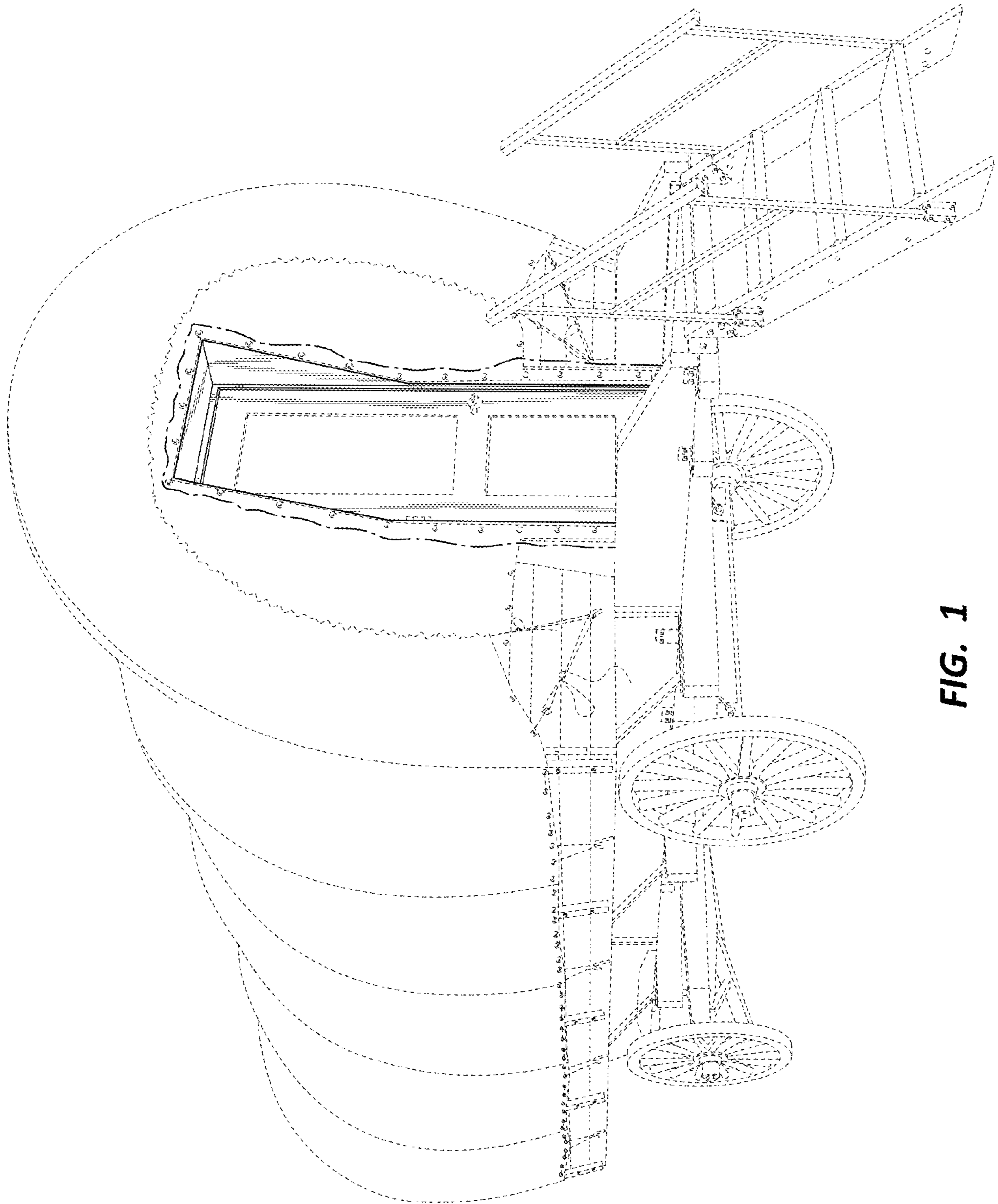


FIG. 1

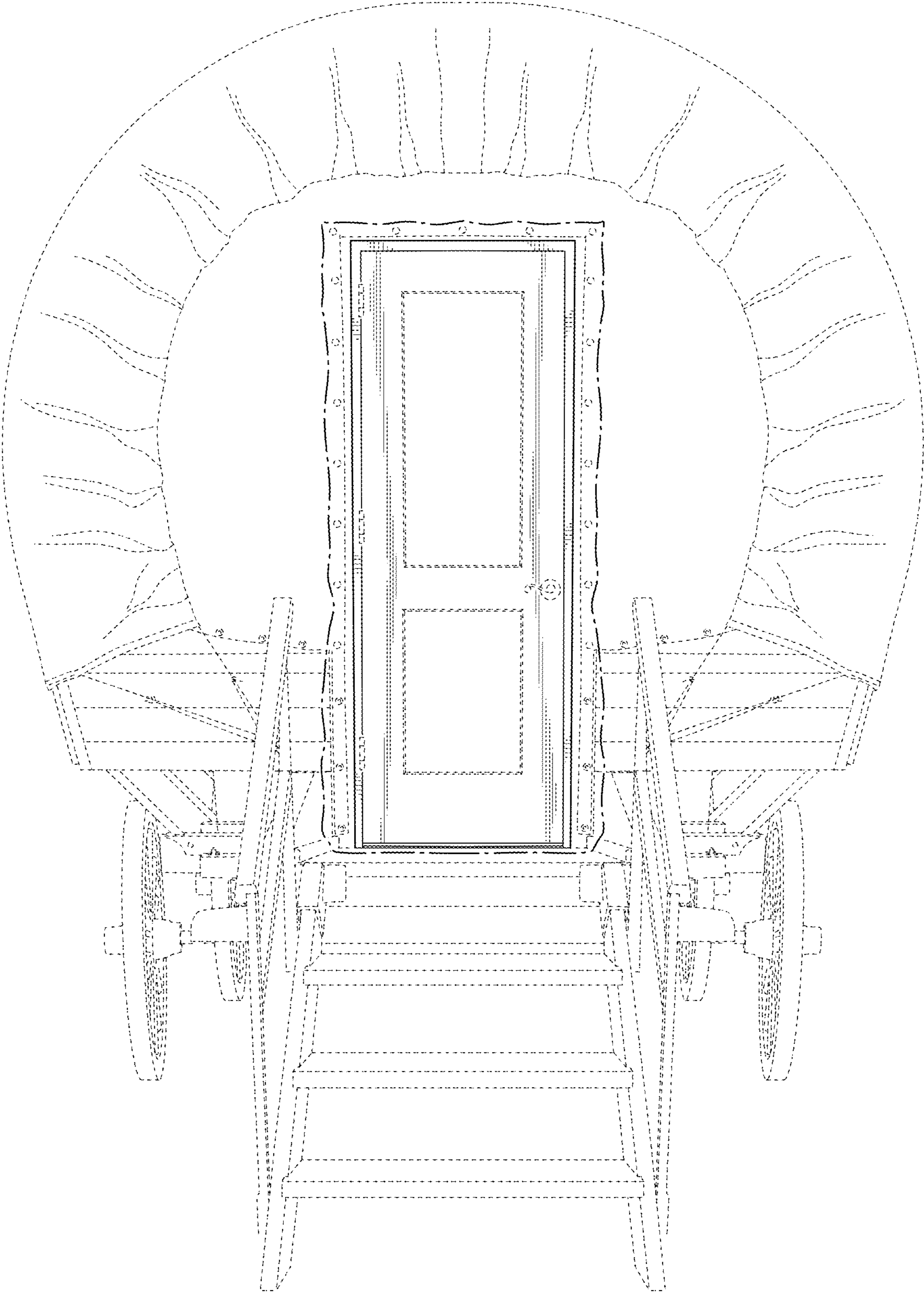


FIG. 2

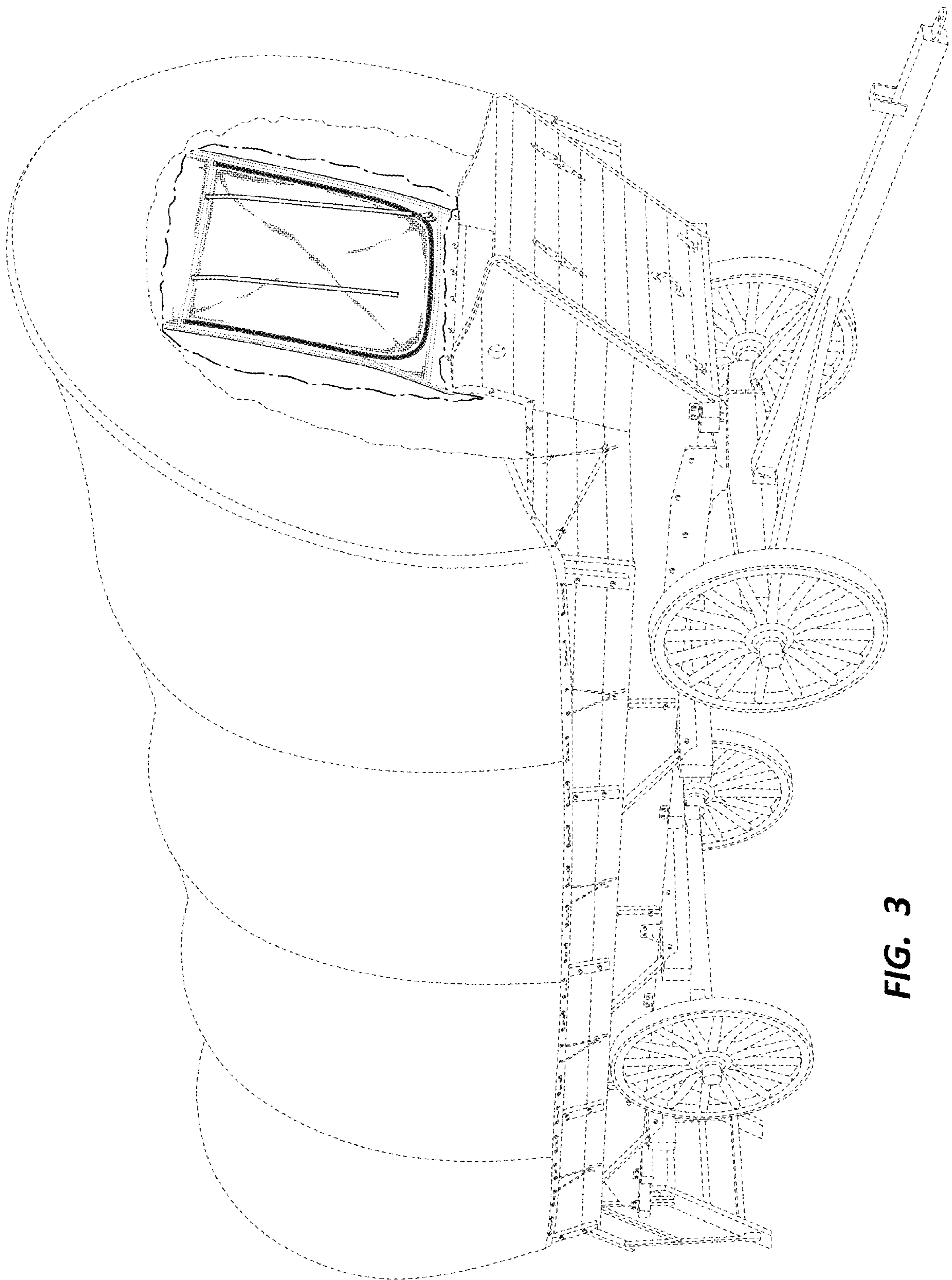


FIG. 3

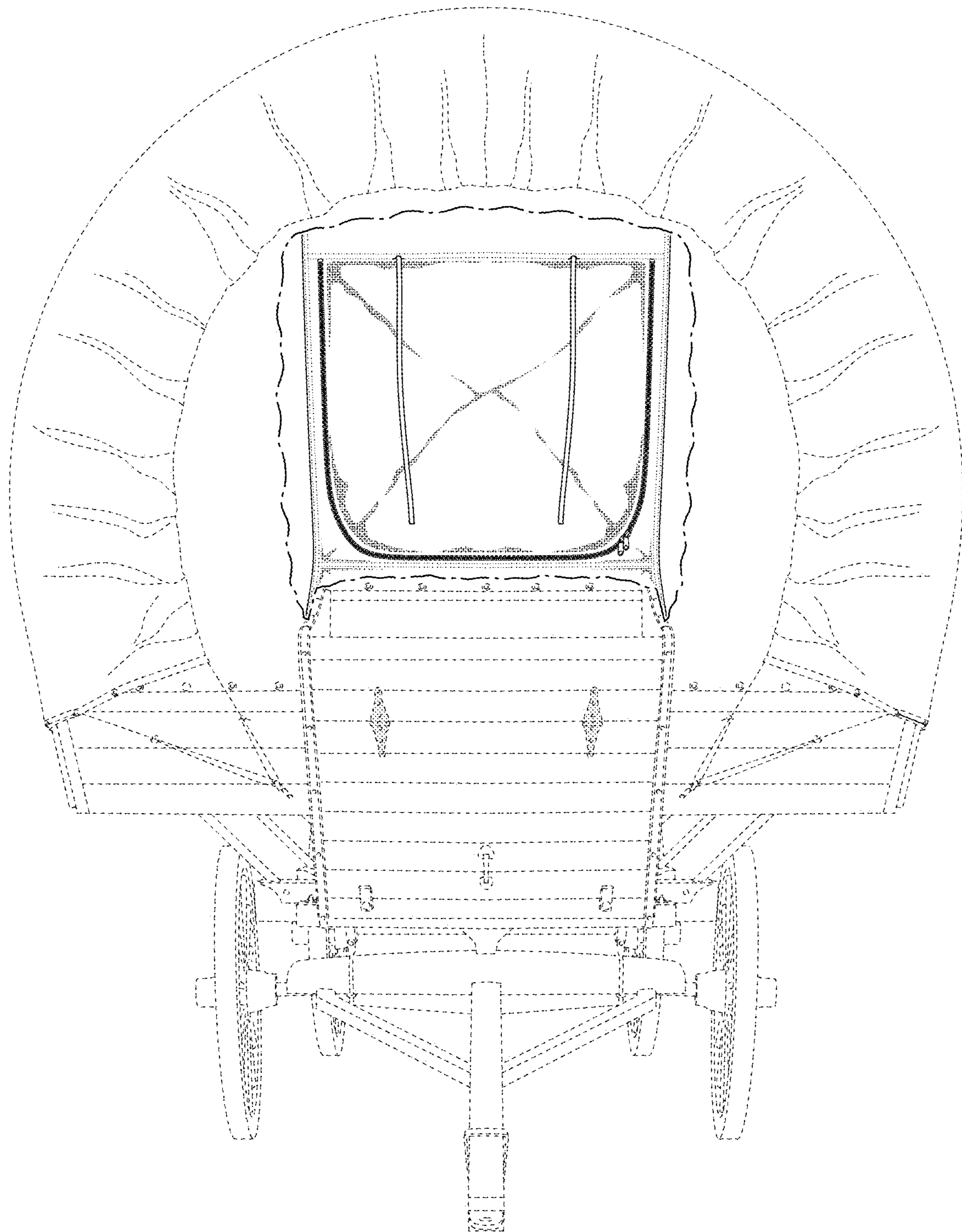


FIG. 4