



US00D884555S

(12) **United States Design Patent**
Knapp et al.

(10) **Patent No.:** **US D884,555 S**

(45) **Date of Patent:** **** May 19, 2020**

(54) **COVERED WAGON**

(71) Applicant: **Conestoga Wagon Co. LLC**, Jackson, WY (US)

(72) Inventors: **Michael Knapp**, Bloomington, ID (US); **Richard Smart**, Bloomington, ID (US)

(73) Assignee: **Conestoga Wagon Co. LLC**, Bloomington, ID (US)

(**) Term: **15 Years**

(21) Appl. No.: **29/695,487**

(22) Filed: **Jun. 19, 2019**

(51) **LOC (12) Cl.** **12-01**

(52) **U.S. Cl.**
USPC **D12/18**

(58) **Field of Classification Search**
USPC D12/18, 85, 96, 94, 100, 101, 102, 103, D12/104, 15, 106, 401, 403, 404, 405, 17, D12/19, 20; D21/834, 836, 837; D25/1, D25/7, 11, 17, 18
CPC B62D 63/061; B62D 63/062; B62D 63/08; B62D 63/06; B60P 3/32; B60P 3/335; B60P 3/34; B60P 3/36; B60P 3/38; B60P 3/341; E04H 15/06; E04H 15/008
See application file for complete search history.

(56) **References Cited**

U.S. PATENT DOCUMENTS

- 355,231 A * 12/1886 Tomkins B60P 3/341 296/161
- 1,386,943 A * 8/1921 Moore B60P 3/341 296/173
- 1,856,280 A 5/1932 Helms
- D102,304 S * 12/1936 Fellow D25/11
- D163,111 S 5/1951 Gibbon
- 2,786,710 A 3/1957 Chapman

- D180,538 S 6/1957 Strauss
- 3,288,520 A * 11/1966 Krutzikowsky B60P 3/341 296/170
- D216,532 S 2/1970 Foster
- 3,515,426 A 6/1970 Gerber
- 3,583,755 A * 6/1971 Hedrick, Jr. B60P 3/341 296/170
- D223,674 S 5/1972 Johnson
- 3,708,198 A * 1/1973 Coons B60P 3/36 296/162
- D226,318 S * 2/1973 Henning et al. D21/827 (Continued)

OTHER PUBLICATIONS

The Rock Ranch Conestoga Wagons, <https://therockranch.com/conestoga-wagon-camping/>, 6 pages, retrieved on Jul. 19, 2019.

(Continued)

Primary Examiner — T Chase Nelson

Assistant Examiner — Ania Aman

(74) *Attorney, Agent, or Firm* — Seth Black; Black IP, PLLC

(57) **CLAIM**

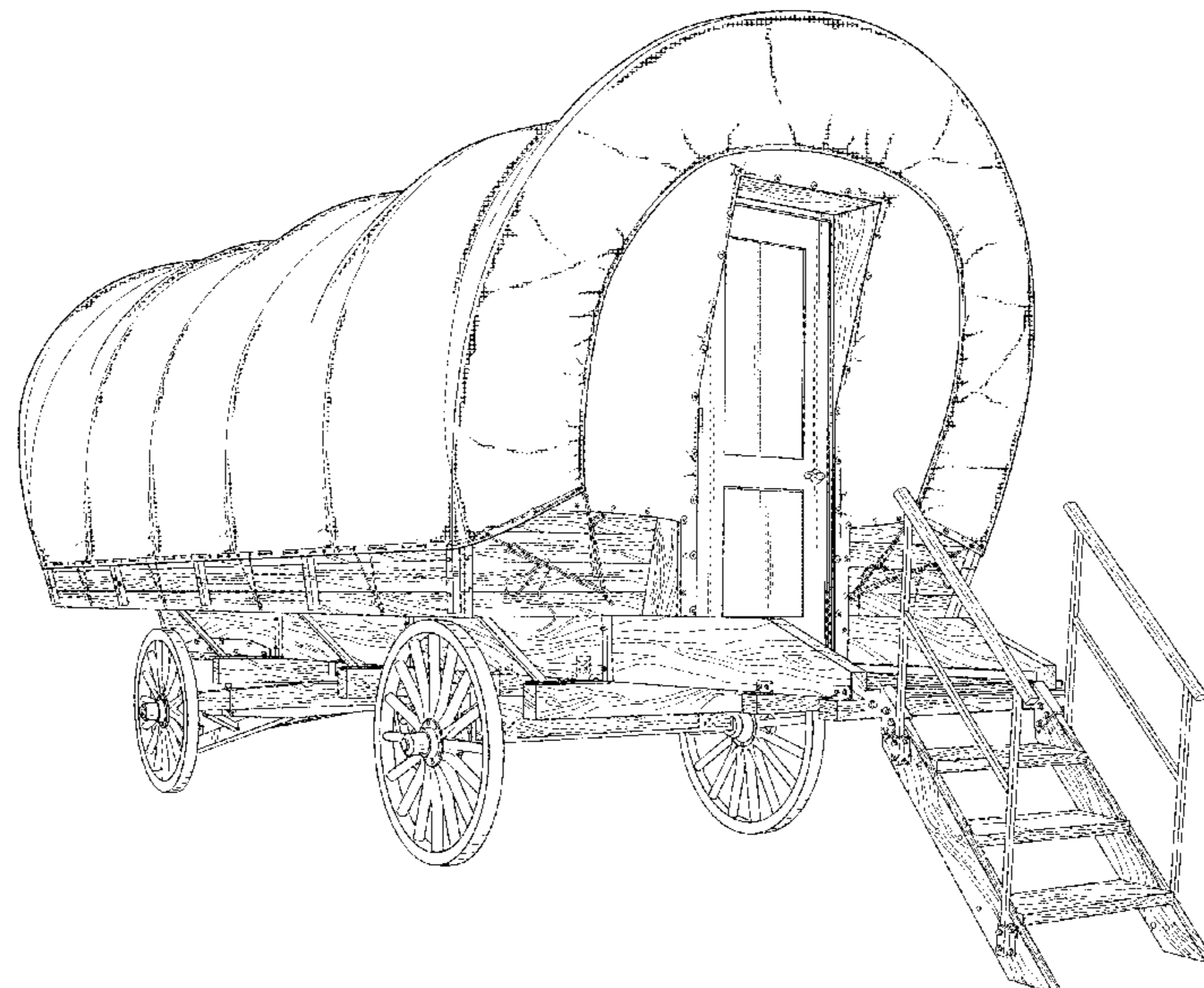
The ornamental design for a covered wagon, as shown and described.

DESCRIPTION

FIG. 1 is a rear, right side perspective view of a covered wagon showing our new design; FIG. 2 is a front, left side perspective view thereof; FIG. 3 is a left side elevational view thereof; FIG. 4 is a right side elevational view thereof; FIG. 5 is a front elevational view thereof; and, FIG. 6 is a rear elevational view thereof.

The broken line shown in the drawings are for the purpose of illustrating portions of the article and form no part of the claimed design.

1 Claim, 6 Drawing Sheets



(56)

References Cited

U.S. PATENT DOCUMENTS

3,767,336 A * 10/1973 Casey B29C 67/20
425/4 R

D235,901 S 7/1975 Zick

4,198,996 A 4/1980 Keable

D291,074 S * 7/1987 Ravana D12/403

4,802,500 A * 2/1989 Davis E04H 15/008
135/136

4,830,036 A 5/1989 Sanders

D308,357 S * 6/1990 Hammero D12/315

5,447,354 A 9/1995 Delp

5,833,251 A 11/1998 Peck

6,152,461 A 11/2000 Dunks

6,283,537 B1 * 9/2001 DeVore, III B60P 3/341
296/168

6,290,023 B1 * 9/2001 Martin B60P 3/341
182/127

6,454,340 B1 9/2002 Miller

6,637,369 B1 10/2003 Landon

7,128,364 B2 * 10/2006 Stabile, Jr. B60P 3/341
296/159

7,273,245 B2 9/2007 Ray

7,540,555 B2 * 6/2009 Stabile, Jr. B60P 3/341
135/88.15

D676,493 S 2/2013 Bengyak

8,444,174 B1 * 5/2013 Miller, Jr. E04H 15/001
182/63.1

D756,267 S * 5/2016 Kibler D12/102

9,909,313 B1 * 3/2018 Grubbs E04H 15/001

D851,194 S * 6/2019 Kidson D21/835

2002/0109374 A1 * 8/2002 Cargill B60P 3/341
296/159

2004/0212218 A1 * 10/2004 Stabile, Jr. B60P 3/341
296/159

2006/0043768 A1 * 3/2006 Ray B60P 3/341
296/173

2009/0179455 A1 7/2009 Ogden

2010/0230999 A1 * 9/2010 Setzer B60P 3/341
296/173

2011/0278877 A1 11/2011 Kim

OTHER PUBLICATIONS

U.S. Pat. No. 604,575 issued May 24, 1898 to Bauer.

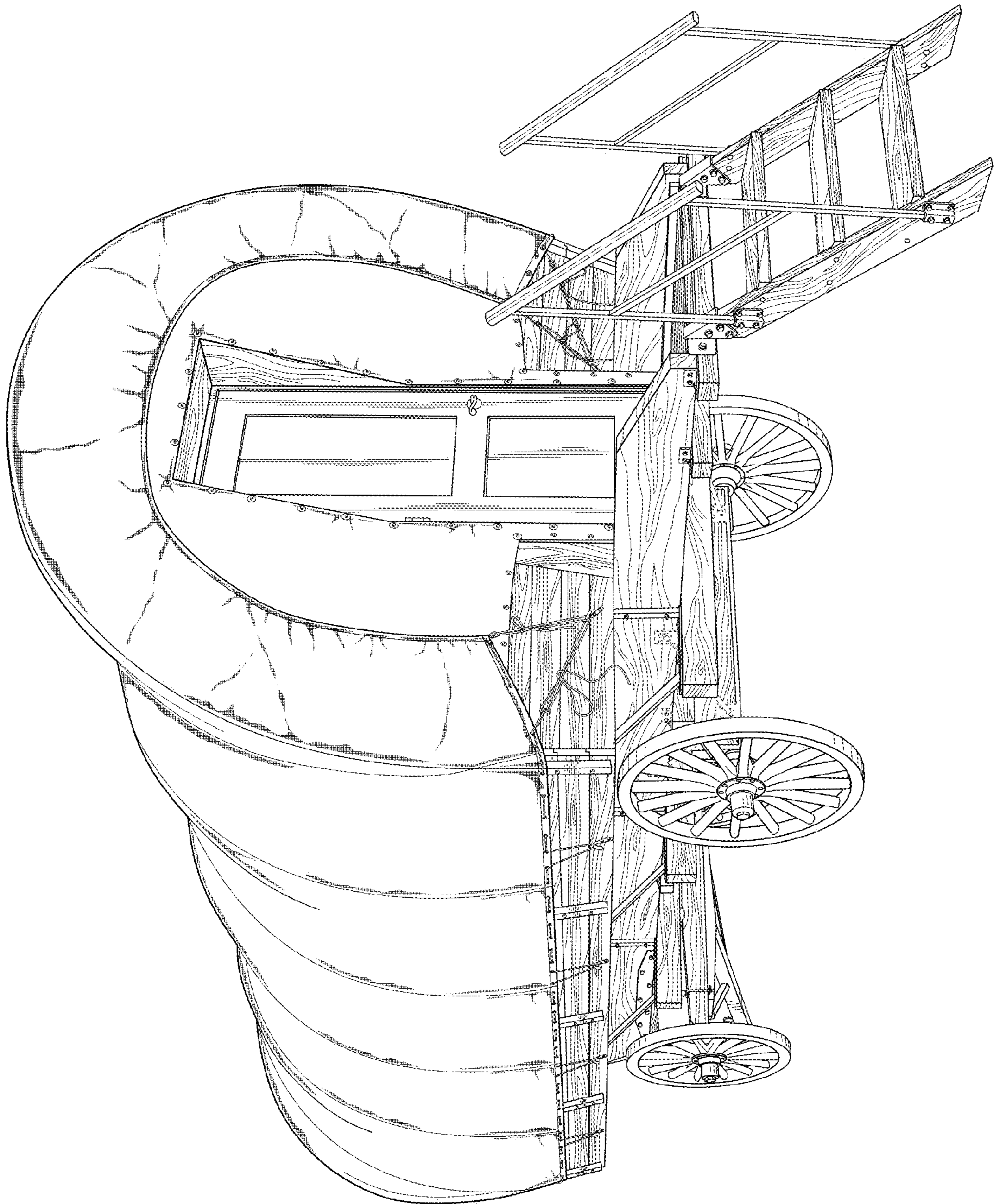
U.S. Pat. No. D. 33,600 issued Nov. 20, 1900 to Reid.

U.S. Pat. No. 849,675 issued Apr. 9, 1907 to Gilleland.

U.S. Pat. No. 941,195 issued Nov. 23, 1909 to Hardin.

* cited by examiner

FIG. 1



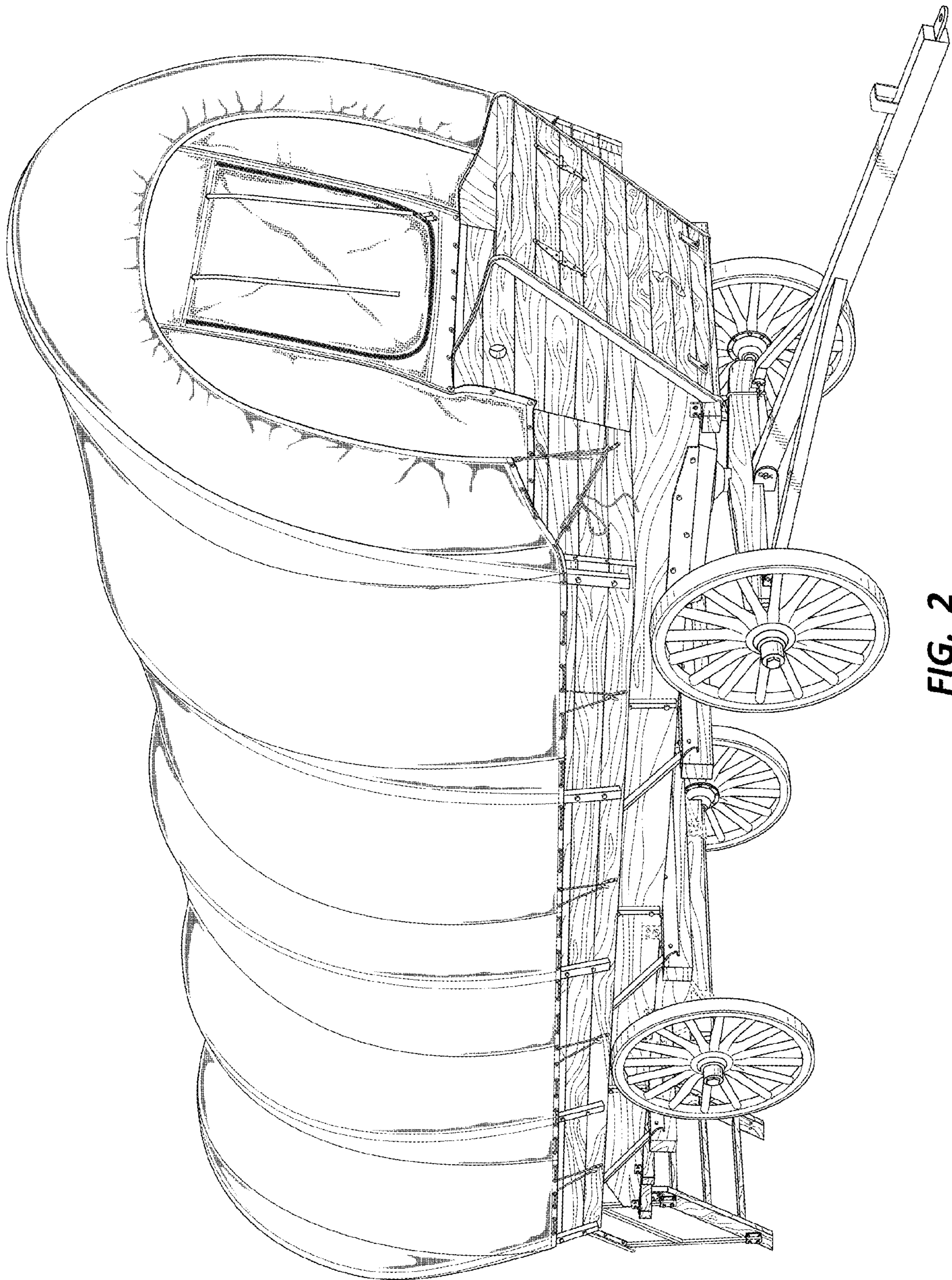


FIG. 2

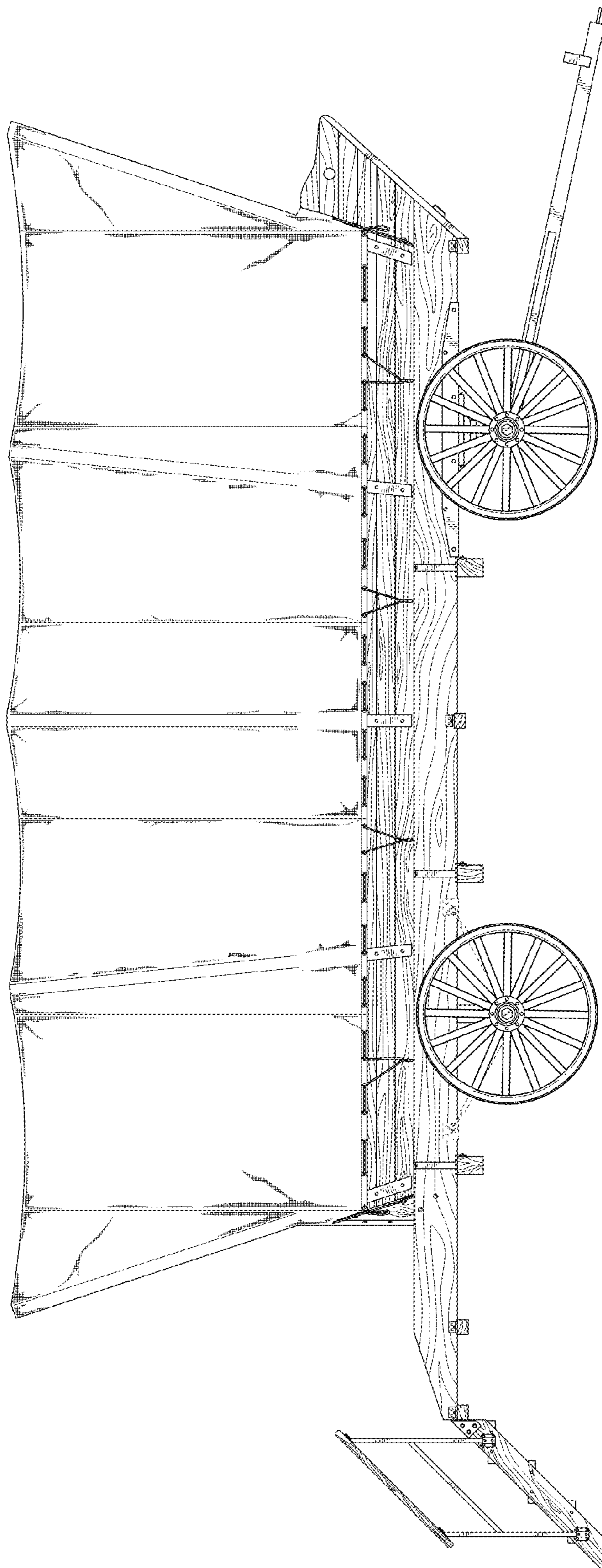


FIG. 3

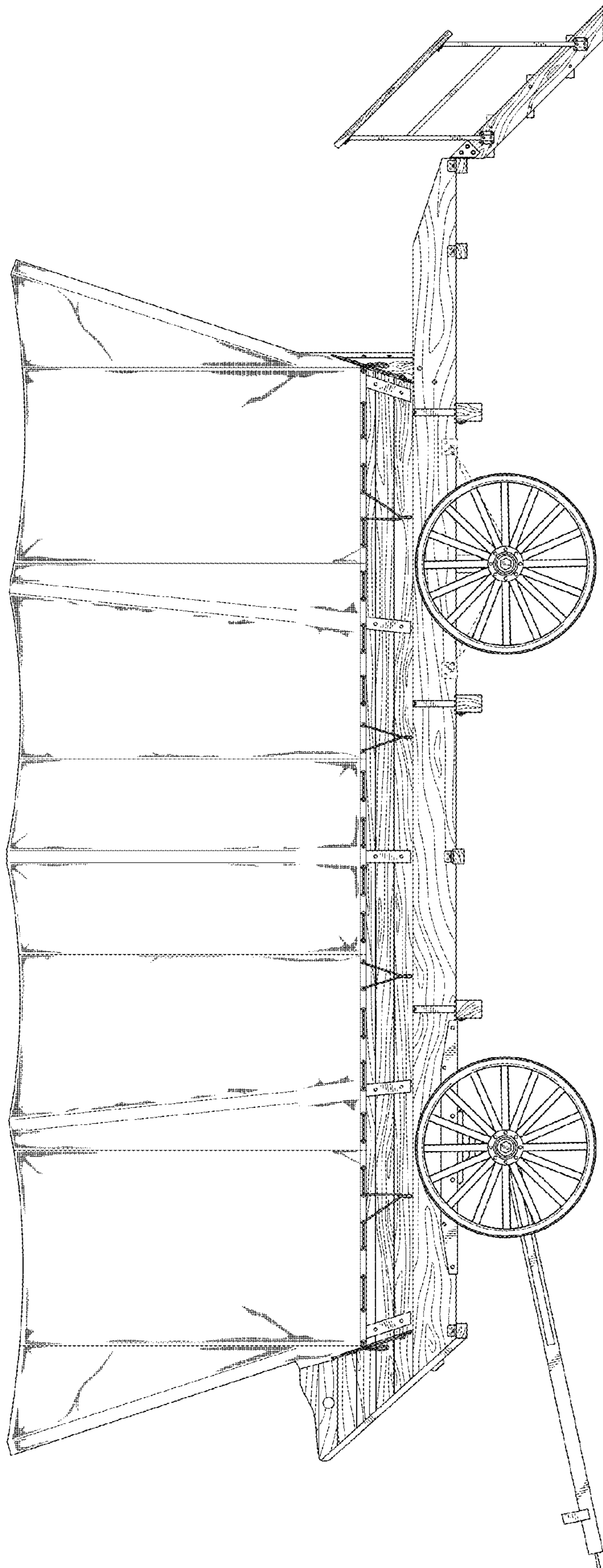


FIG. 4

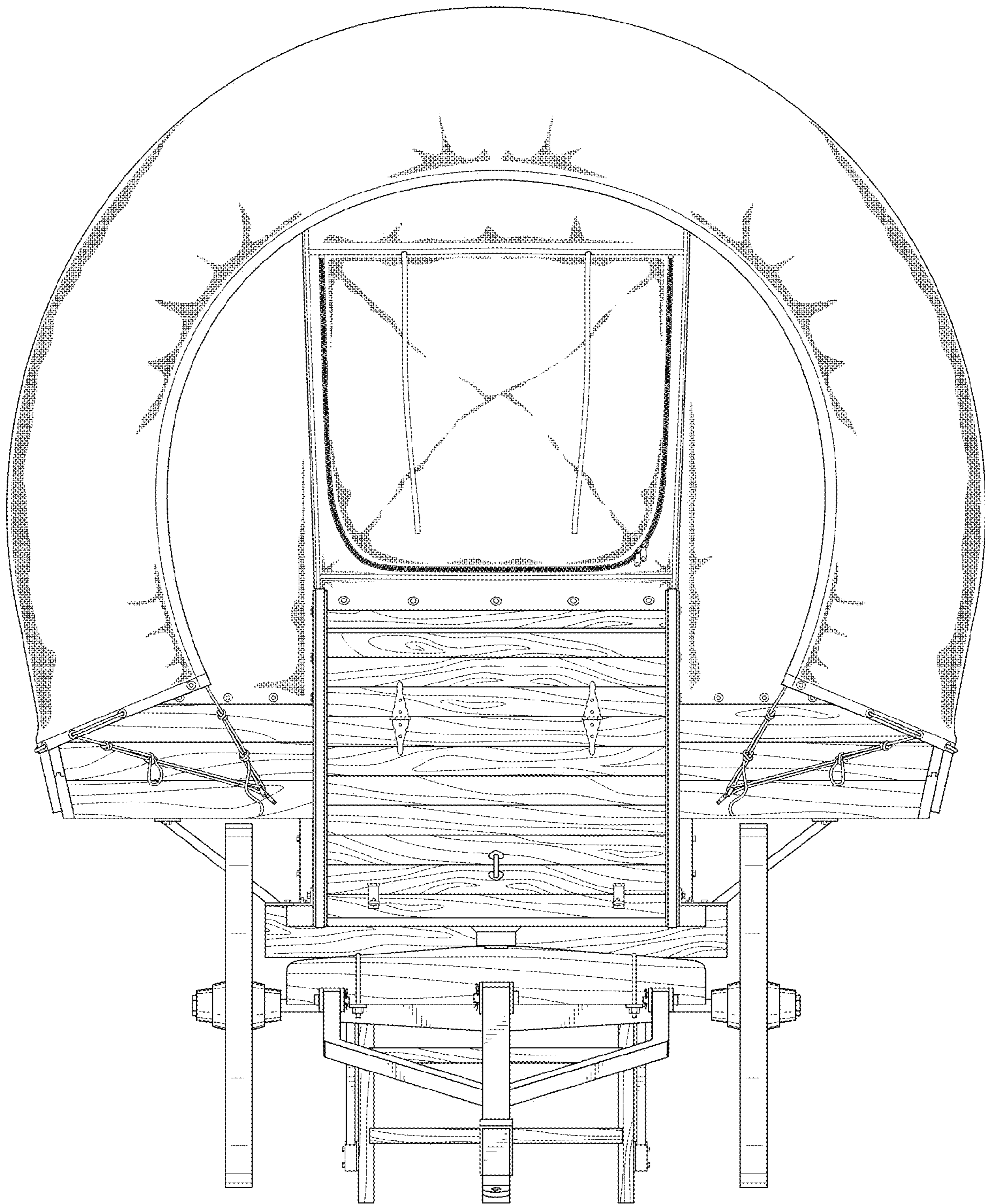


FIG. 5

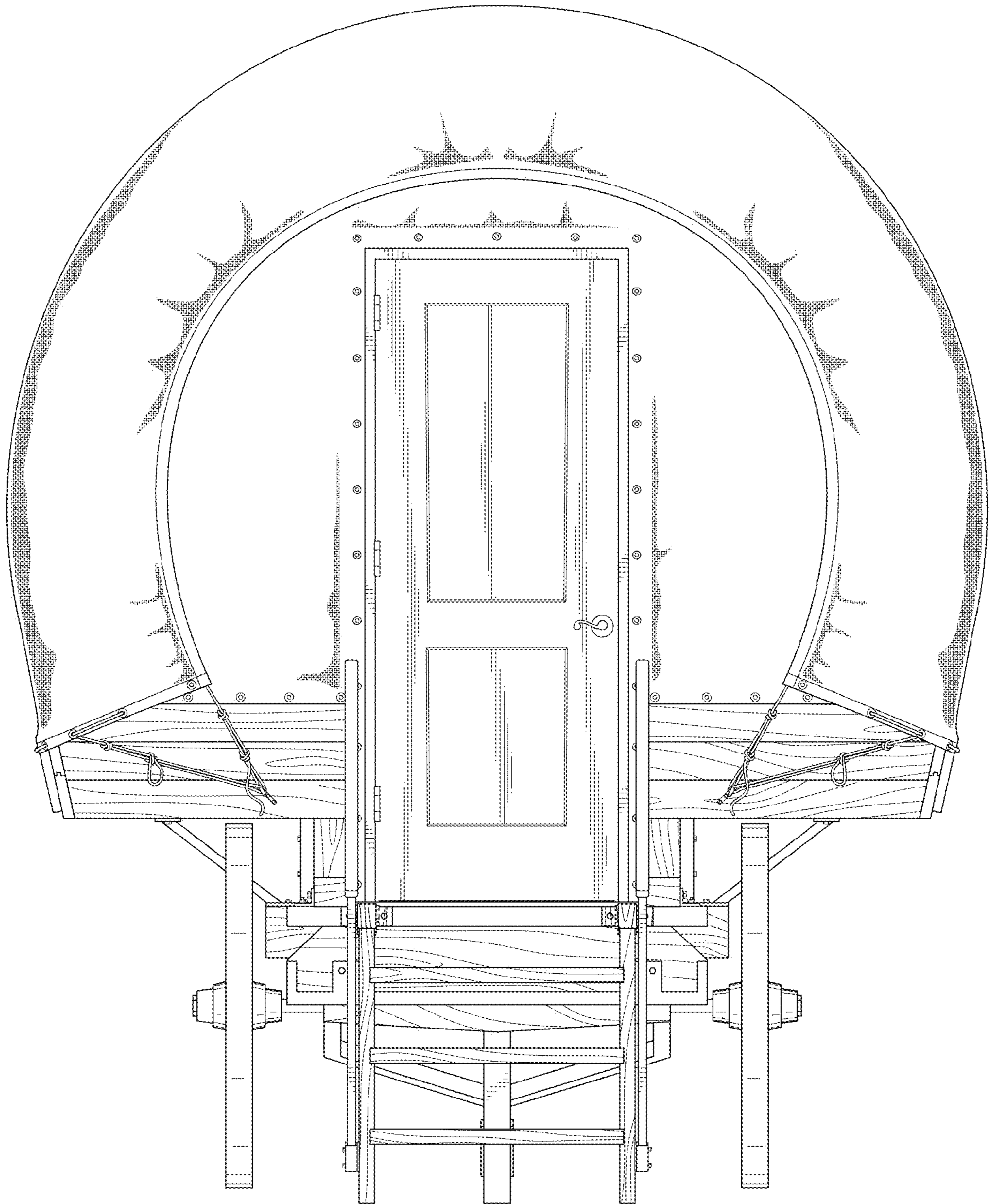


FIG. 6