



US00D884554S

(12) **United States Design Patent**
Chen

(10) **Patent No.:** **US D884,554 S**

(45) **Date of Patent:** **** May 19, 2020**

(54) **DRONE**

(71) Applicant: **Junxian Chen**, Zhangzhou (CN)

(72) Inventor: **Junxian Chen**, Zhangzhou (CN)

(**) Term: **15 Years**

(21) Appl. No.: **29/695,519**

(22) Filed: **Jun. 19, 2019**

(51) **LOC (12) Cl.** **12-07**

(52) **U.S. Cl.**
USPC **D12/16.1**

(58) **Field of Classification Search**
USPC D12/1, 2, 3, 4, 16.1, 319–345;
D21/437–455
CPC B64C 29/0033; B64C 2201/021; B64C
29/02; B64C 2201/088; B64C 2201/104;
B64C 2201/141

See application file for complete search history.

(56) **References Cited**

U.S. PATENT DOCUMENTS

D628,658 S	*	12/2010	Wurm	D21/442
D710,454 S	*	8/2014	Barajas	D12/16.1
D741,779 S	*	10/2015	Hsiao	D12/16.1
D768,539 S	*	10/2016	Lee	D12/16.1
D772,991 S	*	11/2016	Caubel	D12/16.1
D793,482 S	*	8/2017	Wang	D12/16.1
D793,486 S	*	8/2017	Lee	D21/453
D795,741 S	*	8/2017	Li	D12/16.1
D795,742 S	*	8/2017	Li	D12/16.1
D795,743 S	*	8/2017	Li	D12/16.1
D795,967 S	*	8/2017	Haley	D12/16.1
D797,602 S	*	9/2017	Li	D12/16.1
D798,961 S	*	10/2017	Li	D21/441
D800,016 S	*	10/2017	Huang	D12/16.1
D803,098 S	*	11/2017	Lee	D12/16.1
D803,328 S	*	11/2017	Lee	D21/441

D805,431 S	*	12/2017	Li	D12/16.1
D806,606 S	*	1/2018	Morrison	D12/16.1
D813,723 S	*	3/2018	Ahn	D12/16.1
D813,724 S	*	3/2018	Hu	D12/16.1
D814,970 S	*	4/2018	Chen	D12/16.1
D814,971 S	*	4/2018	Huang	D12/16.1
D816,546 S	*	5/2018	Wang	D12/16.1
D817,850 S	*	5/2018	Xiao	D12/328
D818,872 S	*	5/2018	Ho	D12/16.1
D818,874 S	*	5/2018	Tian	D12/16.1
D819,749 S	*	6/2018	Caubel	D21/449
D830,896 S	*	10/2018	Lutterodt	D12/16.1
D843,267 S	*	3/2019	Gao	D12/16.1
D849,154 S	*	5/2019	Zhao	D21/436
D850,978 S	*	6/2019	Gao	D12/16.1
10,317,915 B2	*	6/2019	Tankersley	G05D 1/0094
D852,673 S	*	7/2019	Chen	D12/16.1
D853,279 S	*	7/2019	Gan	D12/16.1
D854,448 S	*	7/2019	Chen	D12/16.1
D856,848 S	*	8/2019	Kim	D12/16.1
D858,353 S	*	9/2019	Gan	D12/16.1
D860,047 S	*	9/2019	Gan	D12/16.1
D860,048 S	*	9/2019	Caubel	D12/16.1
D861,573 S	*	10/2019	He	D12/328

(Continued)

Primary Examiner — Marissa J Cash

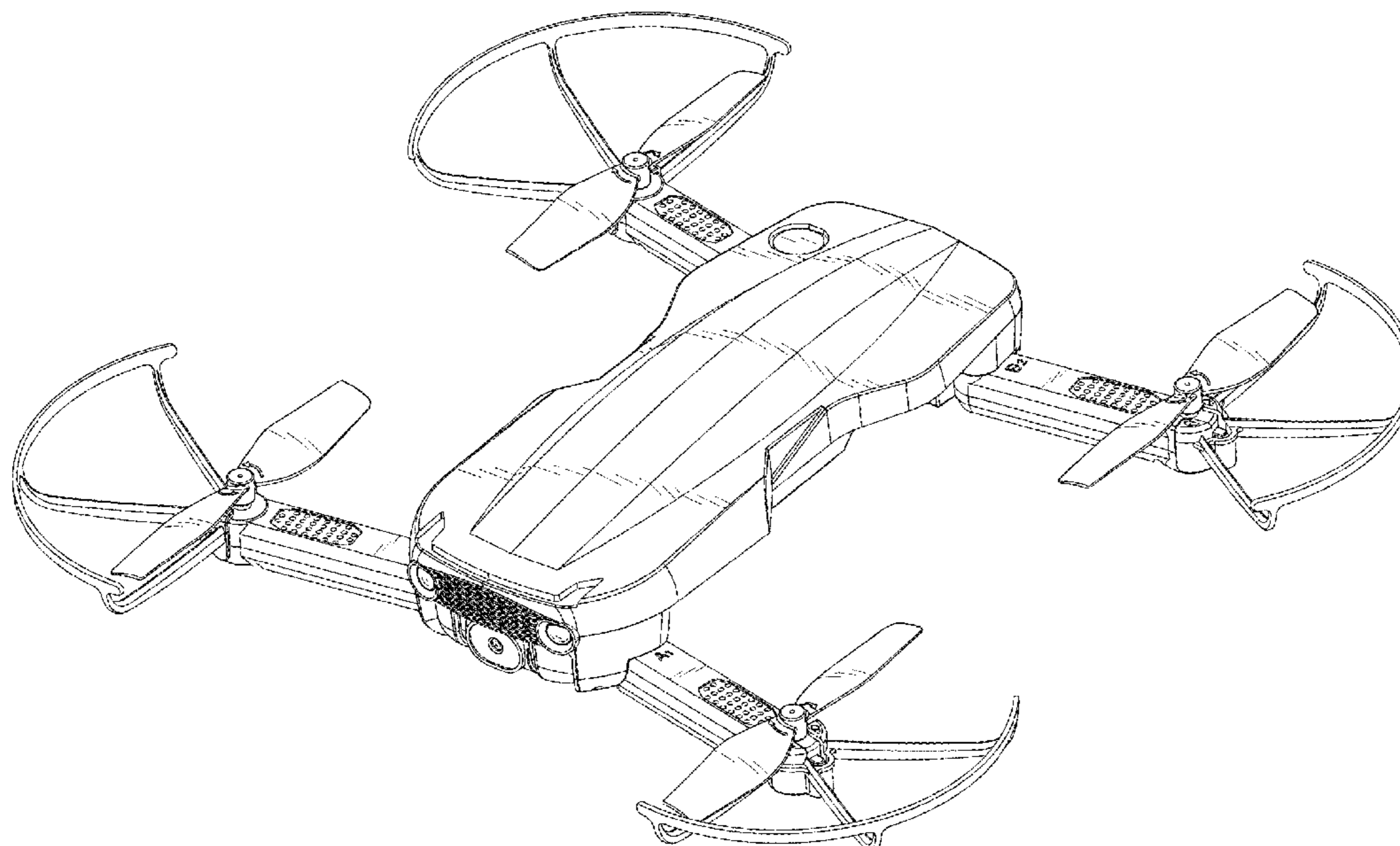
(57) **CLAIM**

The ornamental design for a drone, as shown and described.

DESCRIPTION

FIG. 1 is a front, top perspective view of the drone showing my new design;
 FIG. 2 is a rear, bottom perspective view thereof;
 FIG. 3 is a front elevational view thereof;
 FIG. 4 is a rear elevational view thereof;
 FIG. 5 is a left side elevational view thereof;
 FIG. 6 is a right side elevational view thereof;
 FIG. 7 is a top plan view thereof; and,
 FIG. 8 is a bottom plan view thereof.

1 Claim, 8 Drawing Sheets



(56)

References Cited

U.S. PATENT DOCUMENTS

D864,022	S	*	10/2019	Gan	D12/16.1
D864,082	S	*	10/2019	Zhou	D12/328
D864,083	S	*	10/2019	Zhou	D12/328
D866,396	S	*	11/2019	Chen	D12/16.1
D869,375	S	*	12/2019	Kim	D12/328
D873,175	S	*	1/2020	Li	D12/16.1
D874,338	S	*	2/2020	Zhao	D12/16.1
D874,973	S	*	2/2020	Zhou	D12/16.1
D874,974	S	*	2/2020	Zhou	D12/16.1
2017/0001721	A1	*	1/2017	Saika	B64C 39/024
2018/0002023	A1	*	1/2018	Tian	B64D 33/08
2018/0149947	A1	*	5/2018	Kim	G05D 1/0038

* cited by examiner

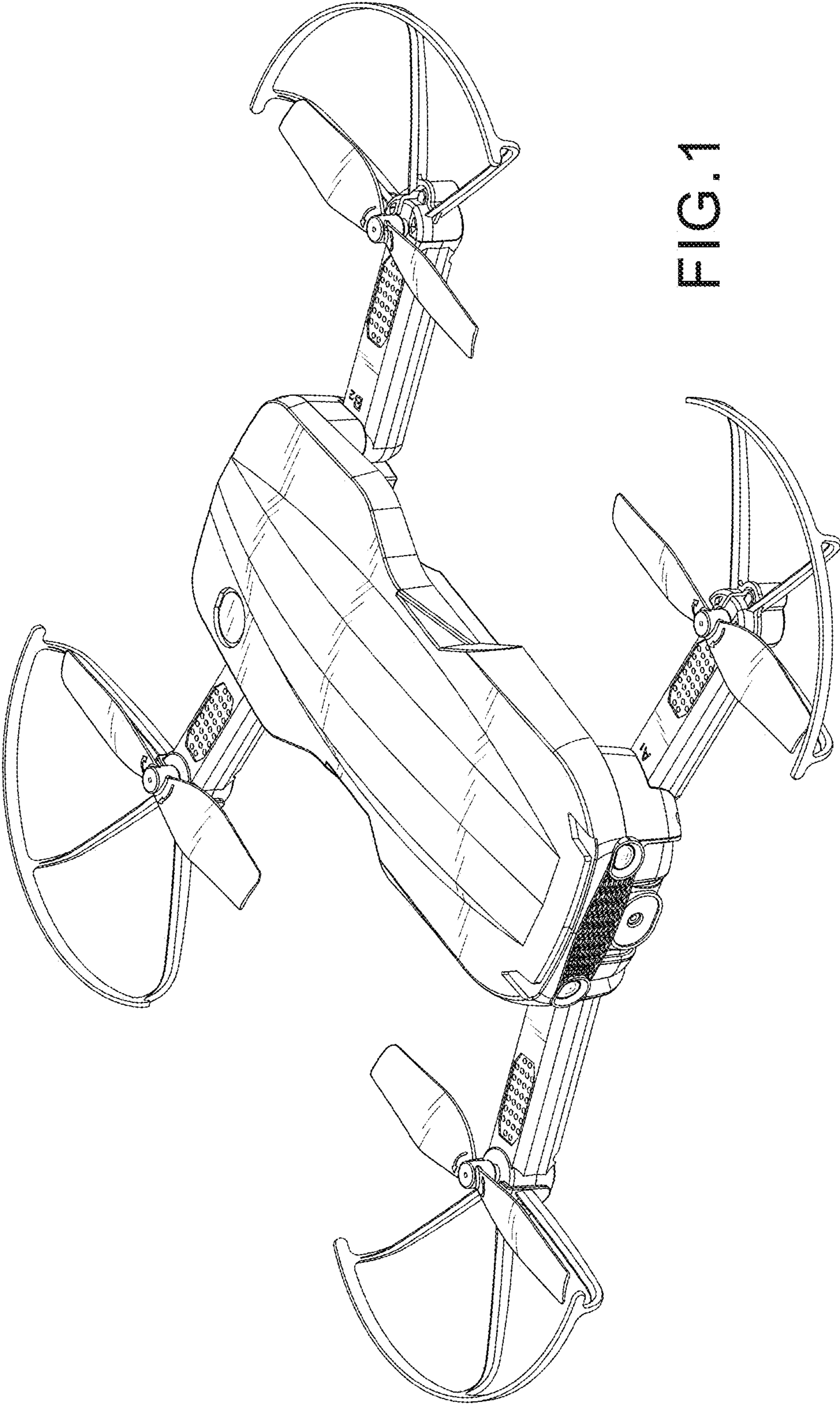


FIG. 1

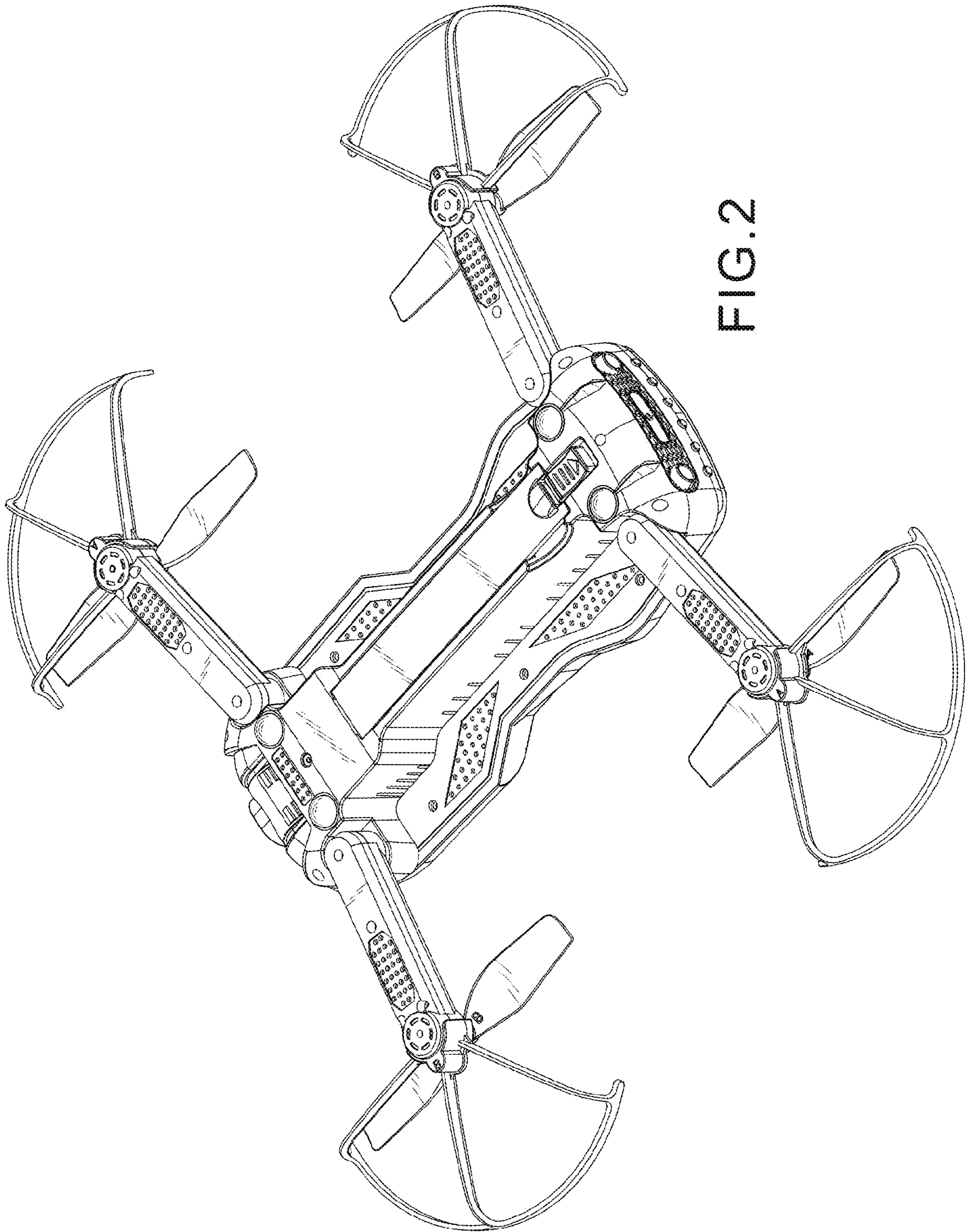


FIG. 2

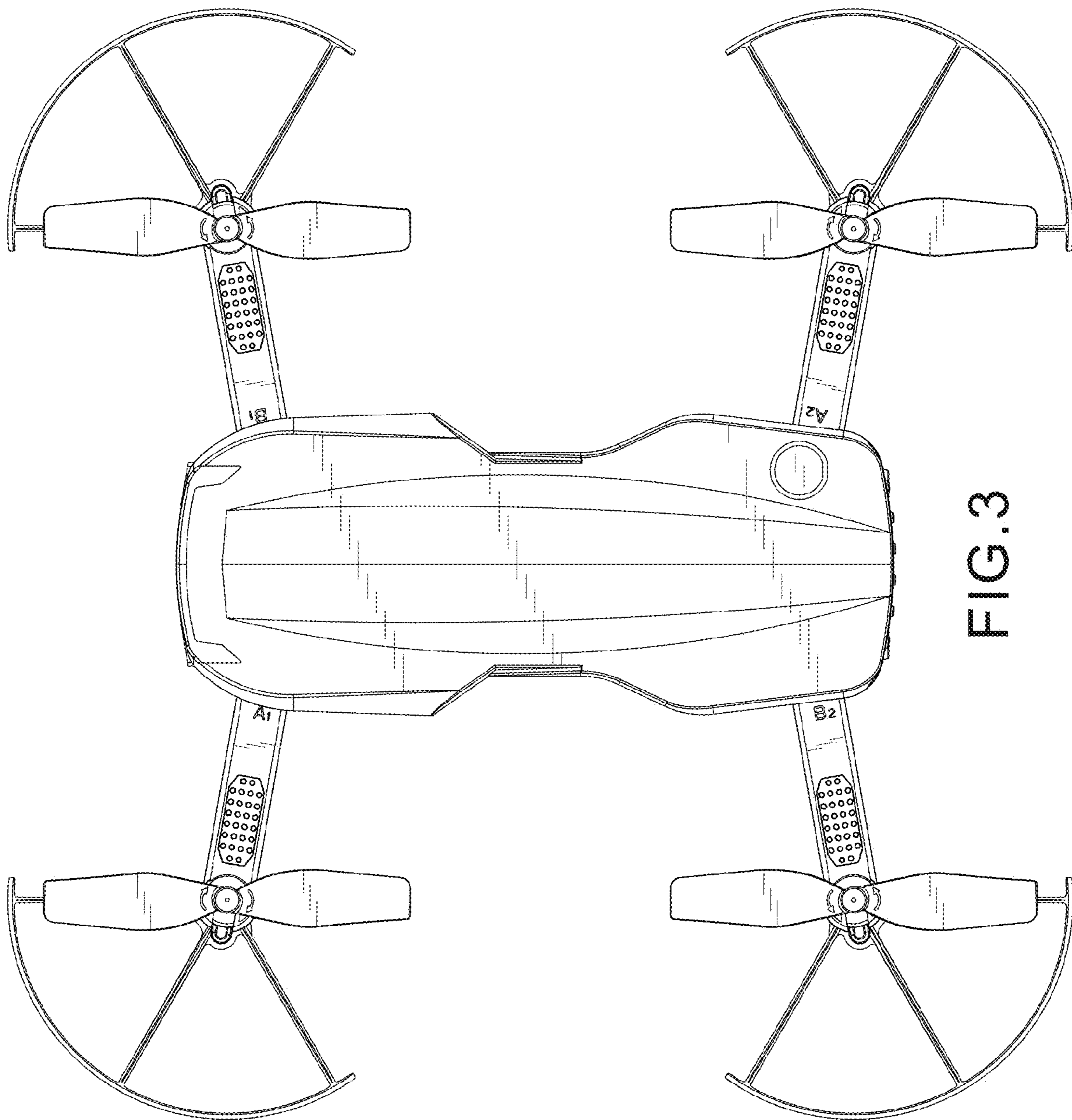


FIG. 3

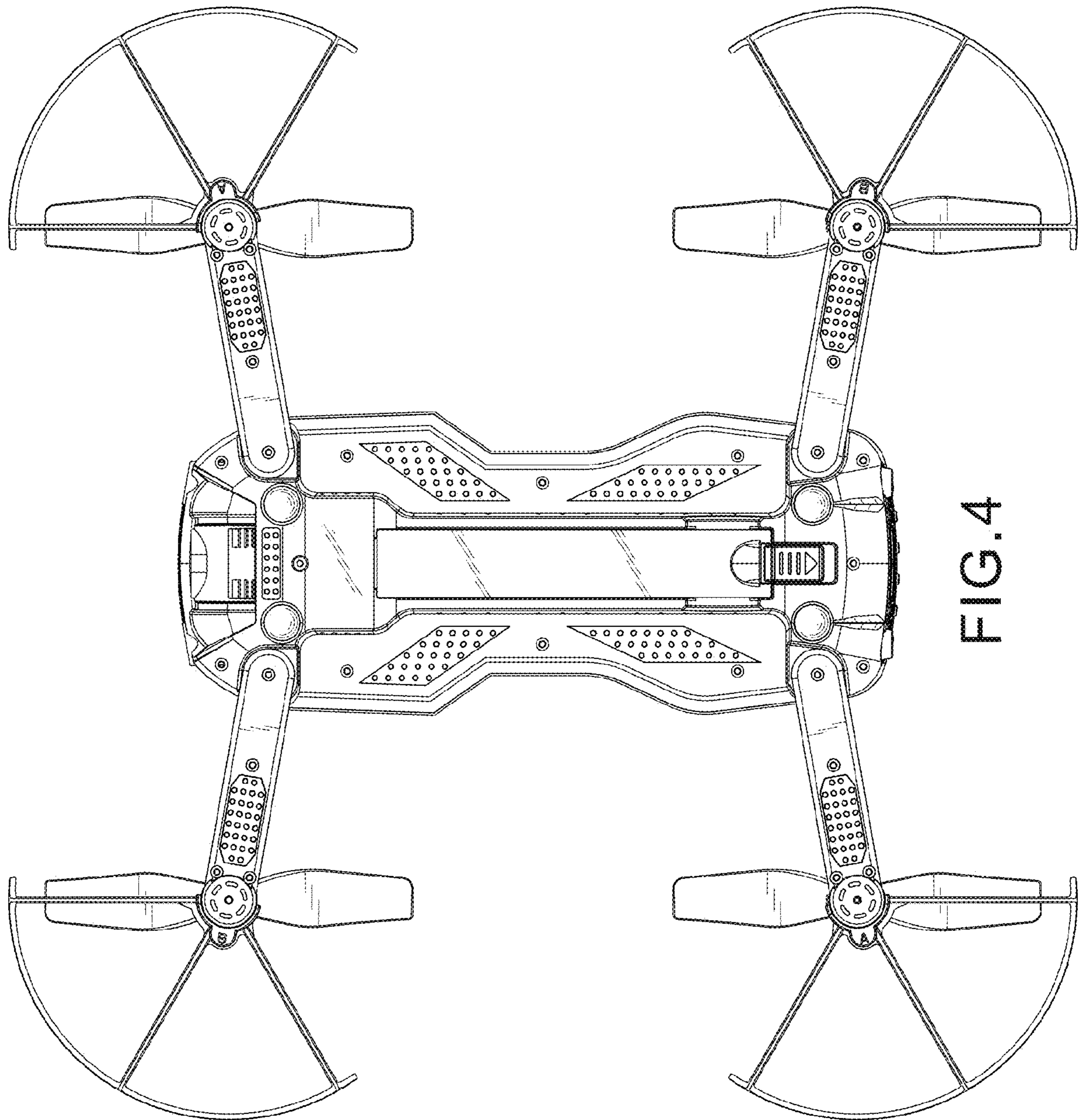


FIG.4

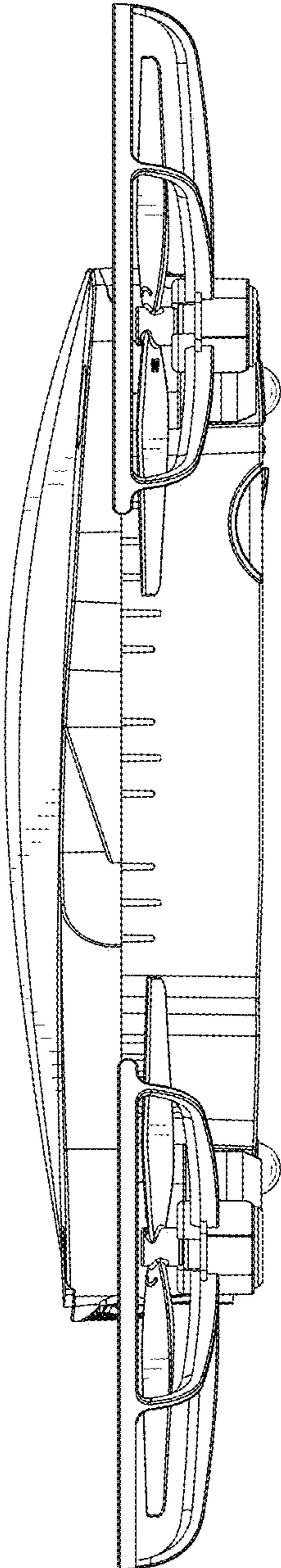


FIG. 5

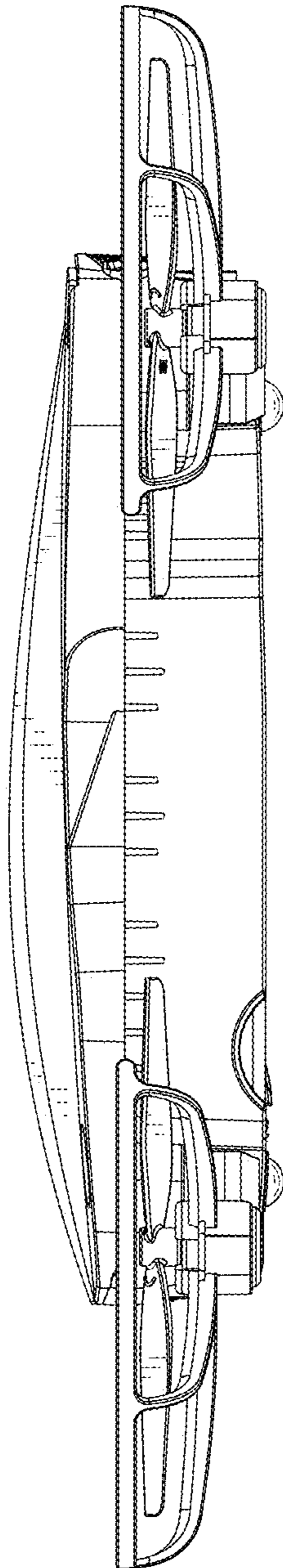


FIG. 6

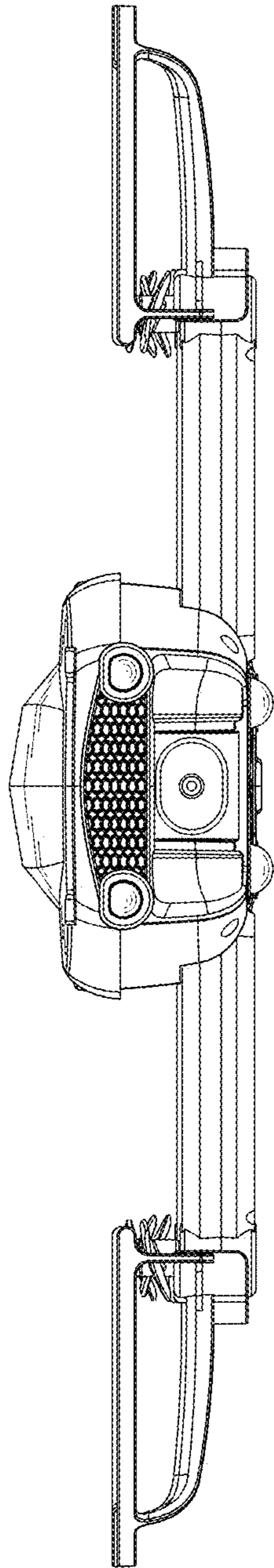


FIG. 7

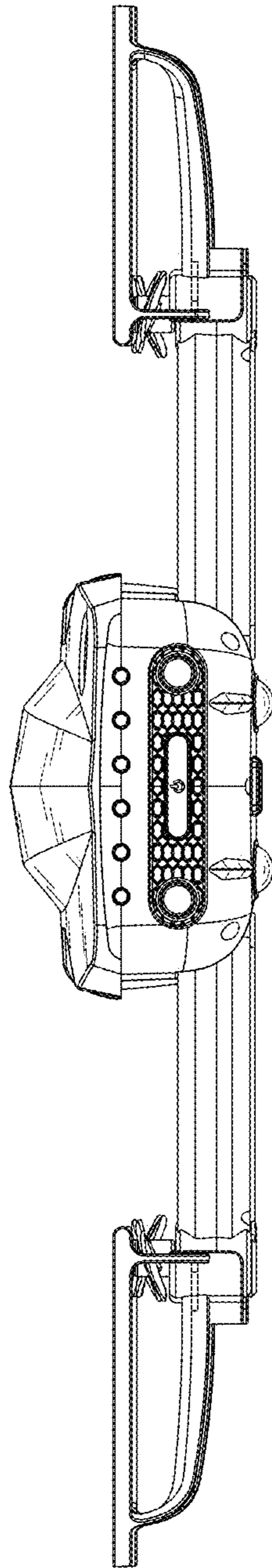


FIG. 8