



US00D884553S

(12) **United States Design Patent**
Seo

(10) **Patent No.:** **US D884,553 S**

(45) **Date of Patent:** **** May 19, 2020**

(54) **DRONE**

(71) Applicant: **WAVE3D Co., Ltd**, Jeollanam-do (KR)

(72) Inventor: **Kyung Sik Seo**, Gwangju (KR)

(73) Assignee: **WAVE3D Co., Ltd**, Jeollanam-do (KR)

(**) Term: **15 Years**

(21) Appl. No.: **29/670,941**

(22) Filed: **Nov. 20, 2018**

(30) **Foreign Application Priority Data**

Oct. 25, 2018 (KR) 30-2018-0049208

(51) **LOC (12) Cl.** **12-06**

(52) **U.S. Cl.**
USPC **D12/16.1**

(58) **Field of Classification Search**
USPC D12/319-345, 16.1, 1-4, 415;
D21/436-455; D14/218
CPC B64C 2201/146; B64C 2201/027; B64C
2201/104; B64C 25/06; B64C 25/24;
B64C 39/04; B64C 5/02
See application file for complete search history.

(56) **References Cited**

U.S. PATENT DOCUMENTS

D139,424 S * 11/1944 Bates D12/327
D215,971 S * 11/1969 Rosta D12/325
D217,000 S * 3/1970 Getz D21/442
D307,884 S * 5/1990 Ninkovich 244/26
D312,067 S * 11/1990 Walling D12/320
5,203,521 A * 4/1993 Day B64C 39/064
244/12.2
5,984,753 A * 11/1999 Perez A63H 33/18
446/46
D418,475 S * 1/2000 Milde, Jr. D12/320

D430,530 S * 9/2000 Milde, Jr. D12/320
D667,893 S * 9/2012 Smith D21/451
D669,836 S * 10/2012 Ordonez D12/213
D760,624 S * 7/2016 Balaresque D12/16.1
9,527,588 B1 * 12/2016 Rollefstad B64C 39/024
9,555,879 B1 * 1/2017 Kaiser B64D 35/06
D780,665 S * 3/2017 Blincow D12/320
D785,717 S * 5/2017 Xiao D21/441
D798,221 S * 9/2017 Kaiser D12/325
D803,327 S * 11/2017 Gaus D21/436
9,840,323 B1 * 12/2017 Kaiser B64C 25/06
D806,607 S * 1/2018 Zhydanov D12/16.1
9,896,196 B1 * 2/2018 Kaiser B64C 25/06
D813,761 S * 3/2018 Balaresque D12/174
D814,350 S * 4/2018 Joo D12/16.1
D814,971 S * 4/2018 Huang D12/16.1
D815,580 S * 4/2018 Kim D12/325
D816,546 S * 5/2018 Wang D12/16.1
D821,264 S * 6/2018 Choo D12/16.1
D829,283 S * 9/2018 Cai D21/441
D830,228 S * 10/2018 Grassi D12/16.1
D830,897 S * 10/2018 Choi D12/16.1
10,099,785 B1 * 10/2018 Gonzalez B64C 39/024
D846,033 S * 4/2019 Oas D21/455

(Continued)

Primary Examiner — Marissa J Cash

(74) *Attorney, Agent, or Firm* — Revolution IP, PLLC

(57) **CLAIM**

The ornamental design for a drone, as shown and described.

DESCRIPTION

FIG. 1 is a perspective view of a drone showing the claimed design;

FIG. 2 is a front view thereof;

FIG. 3 is a rear view thereof;

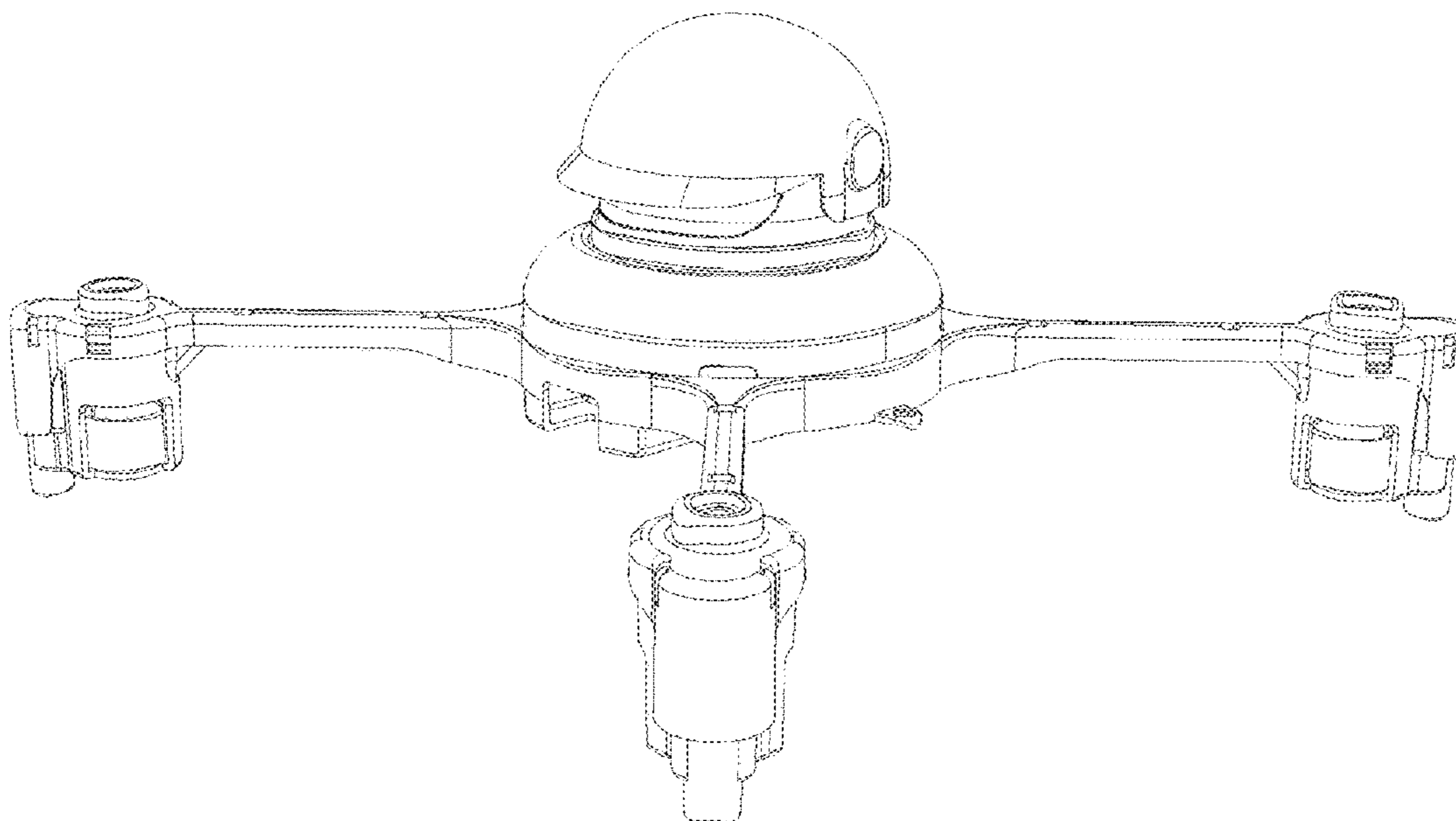
FIG. 4 is a left side view thereof;

FIG. 5 is a right side view thereof;

FIG. 6 is a top view thereof; and,

FIG. 7 is a bottom view thereof.

1 Claim, 7 Drawing Sheets



(56)

References Cited

U.S. PATENT DOCUMENTS

D856,259 S * 8/2019 Li D12/328
D859,536 S * 9/2019 Cope D21/443
D860,332 S * 9/2019 Cope D21/443
2005/0067527 A1* 3/2005 Petersen B64C 27/10
244/17.11
2016/0016664 A1* 1/2016 Basuni B64C 39/024
244/17.13
2016/0179096 A1* 6/2016 Bradlow B64C 19/00
701/8
2016/0214713 A1* 7/2016 Cragg B64C 39/024
2016/0376031 A1* 12/2016 Michalski B64C 39/024
701/15
2017/0029104 A1* 2/2017 Kim B64C 39/02
2017/0217323 A1* 8/2017 Antonini B64C 25/52
2017/0225792 A1* 8/2017 Wang B64D 17/70
2017/0274983 A1* 9/2017 Beckman B64C 11/48
2017/0313441 A1* 11/2017 Tsai B64C 39/024
2018/0022461 A1* 1/2018 Nunes B64D 27/24
244/26
2018/0044005 A1* 2/2018 Hayden, III B64C 27/20
2018/0196418 A1* 7/2018 Meier G05D 1/0225
2018/0244385 A1* 8/2018 Kim B64C 39/024
2019/0009893 A1* 1/2019 Toyama B64D 45/00
2019/0193848 A1* 6/2019 Kaiser B64C 27/14

* cited by examiner

FIG. 1

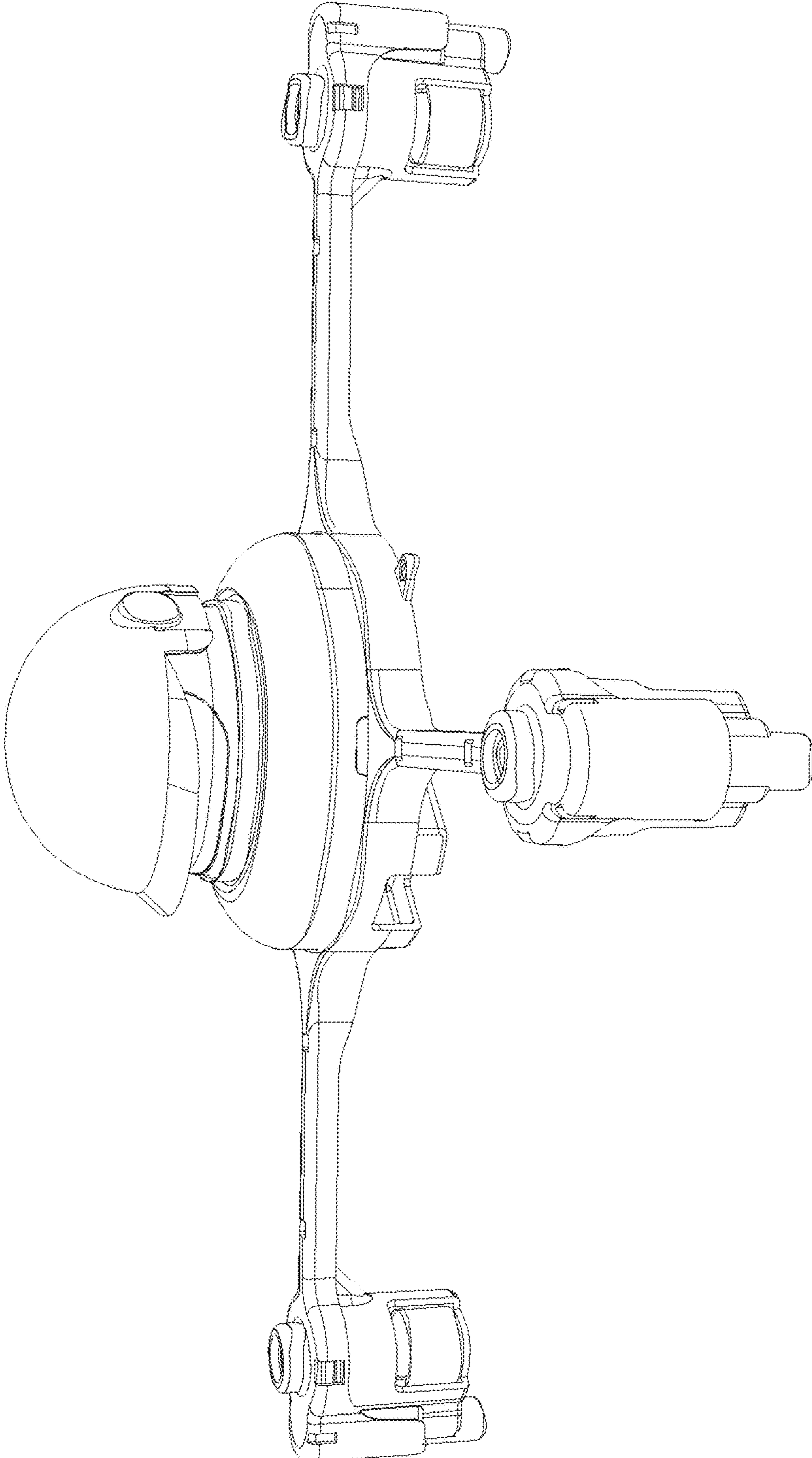


FIG. 2

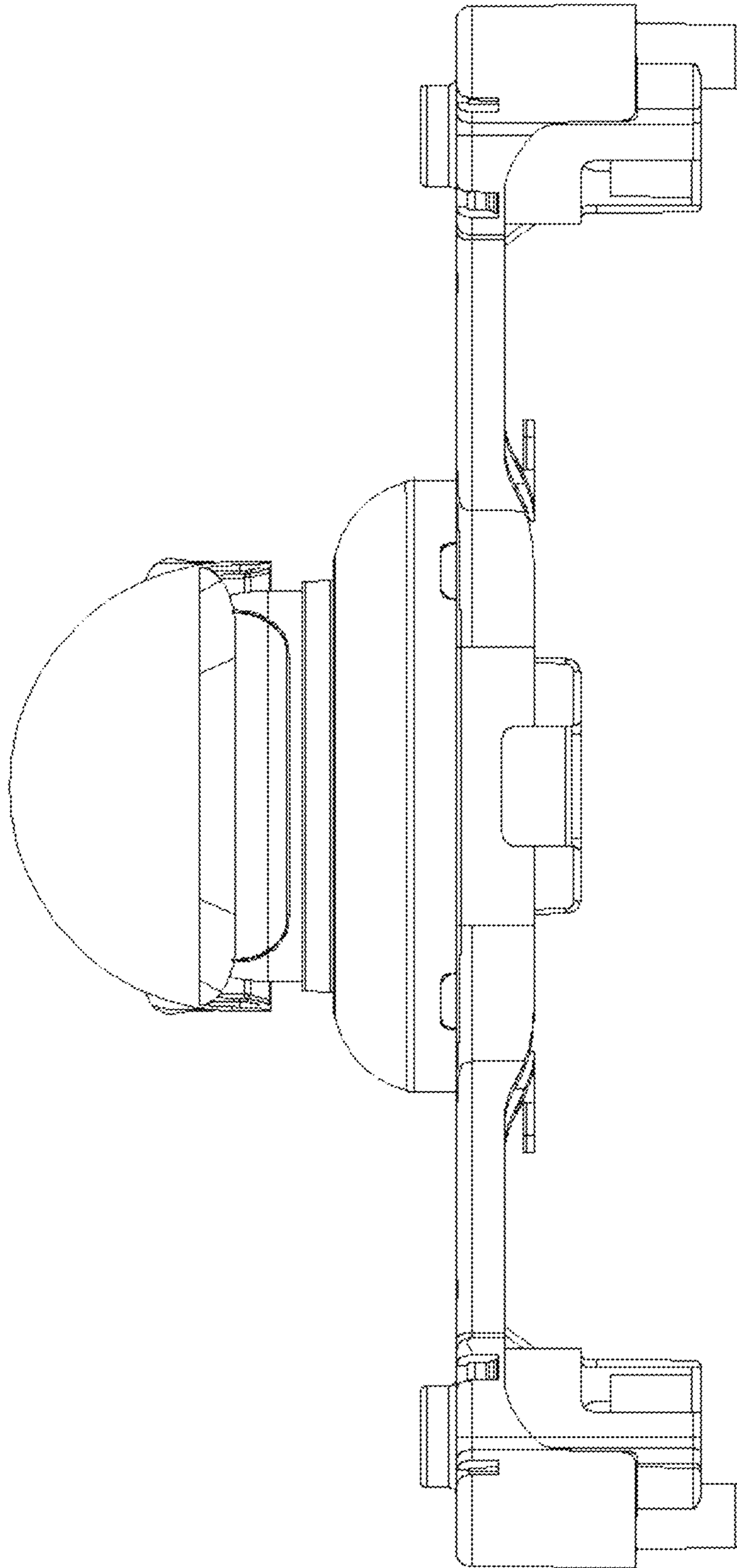


FIG. 3

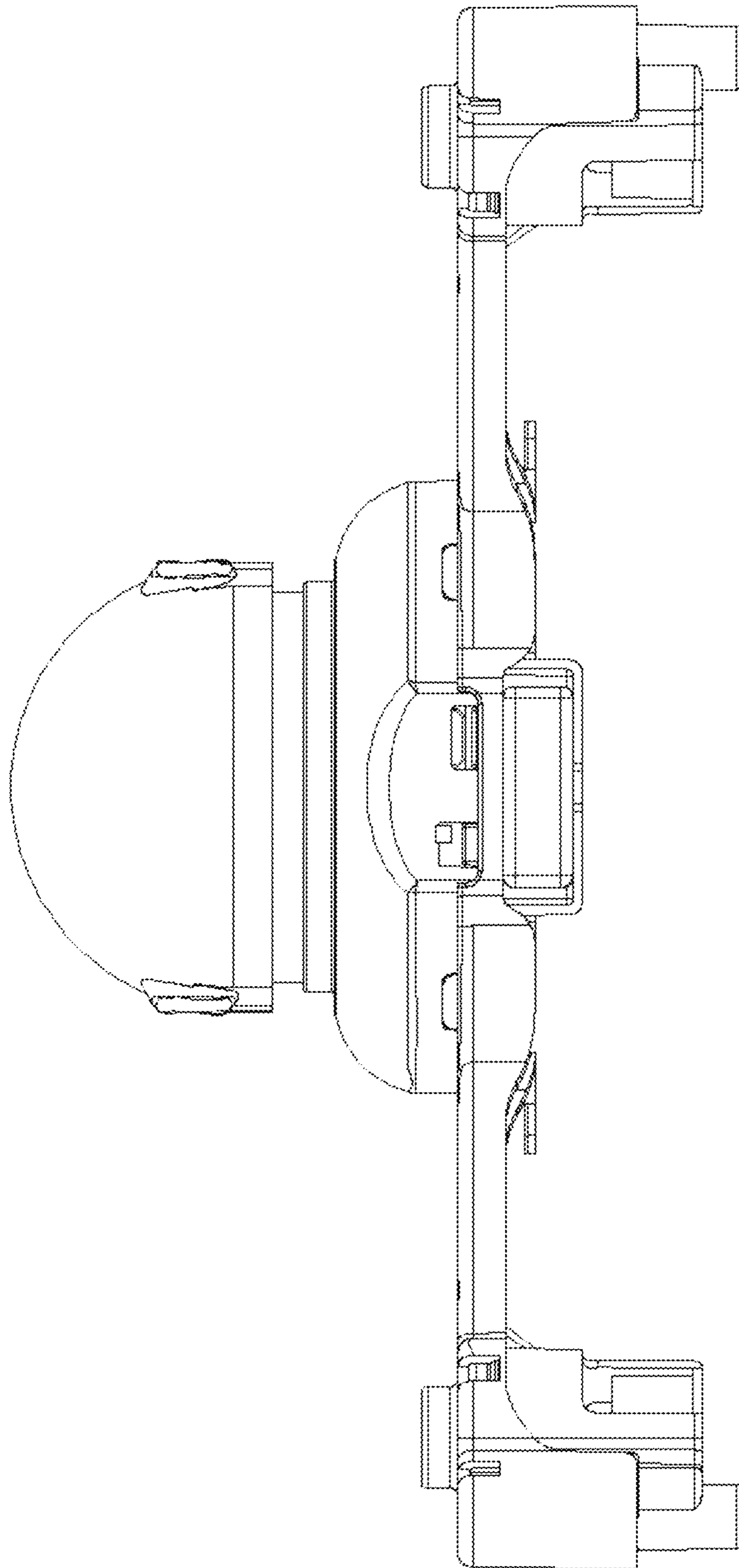


FIG. 4

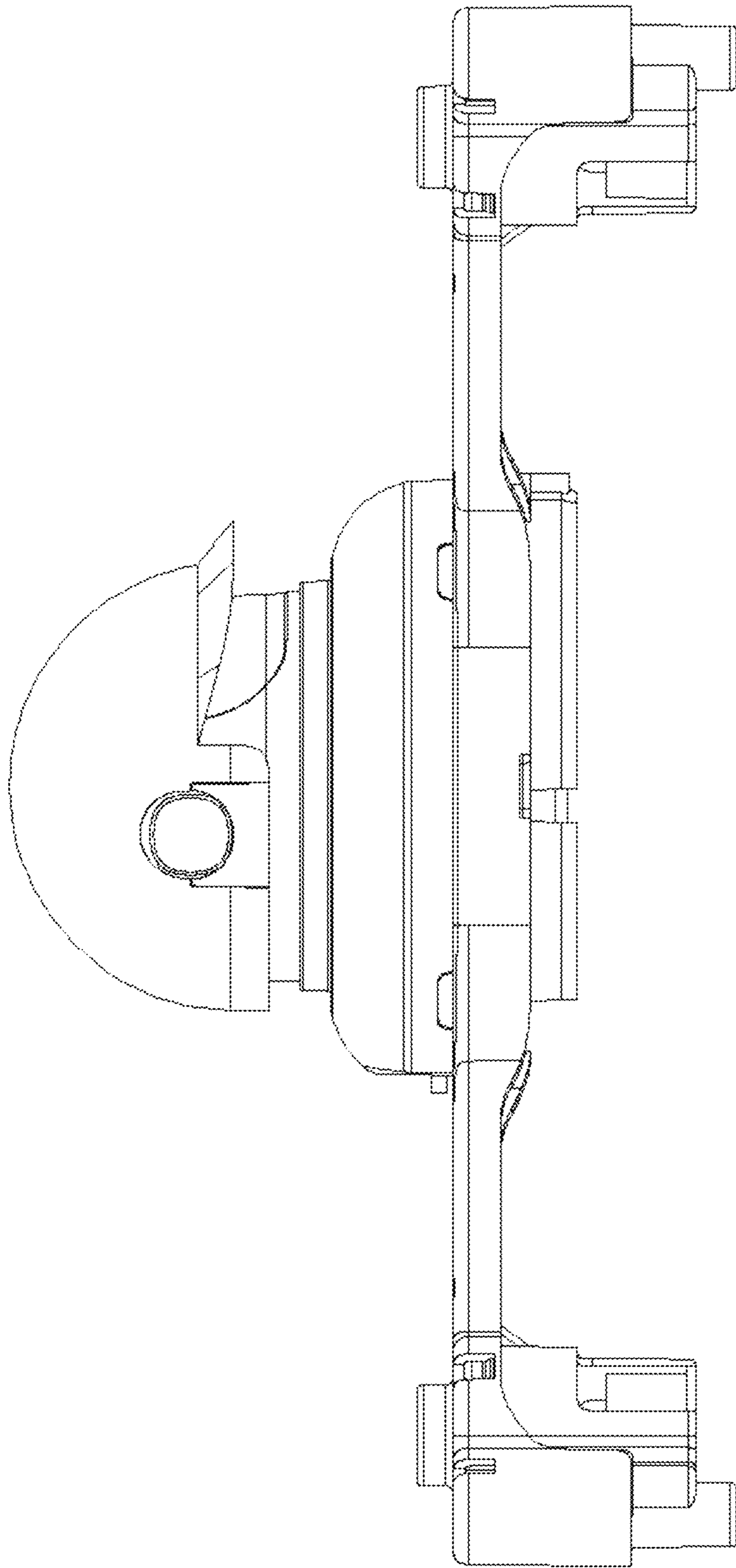


FIG. 5

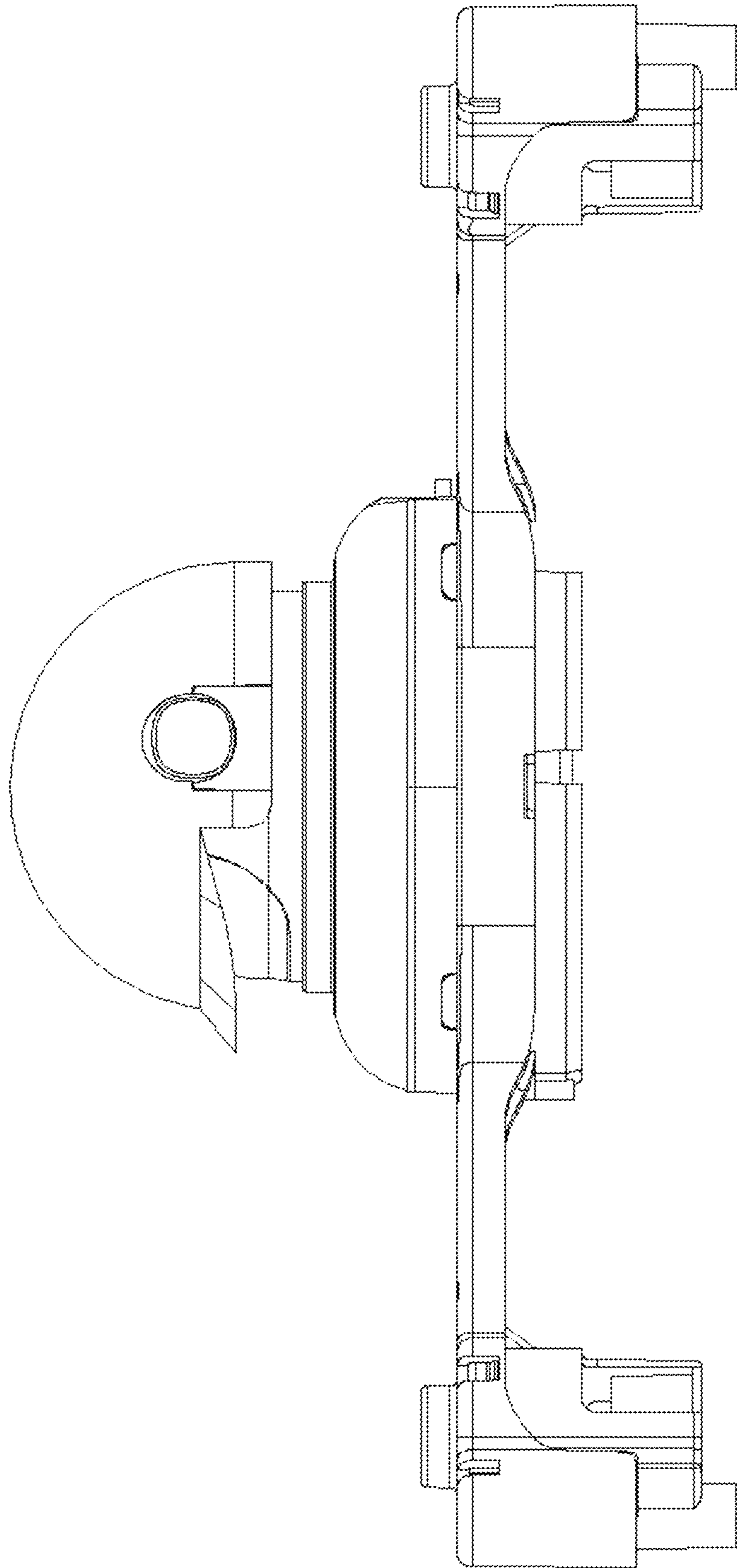


FIG. 6

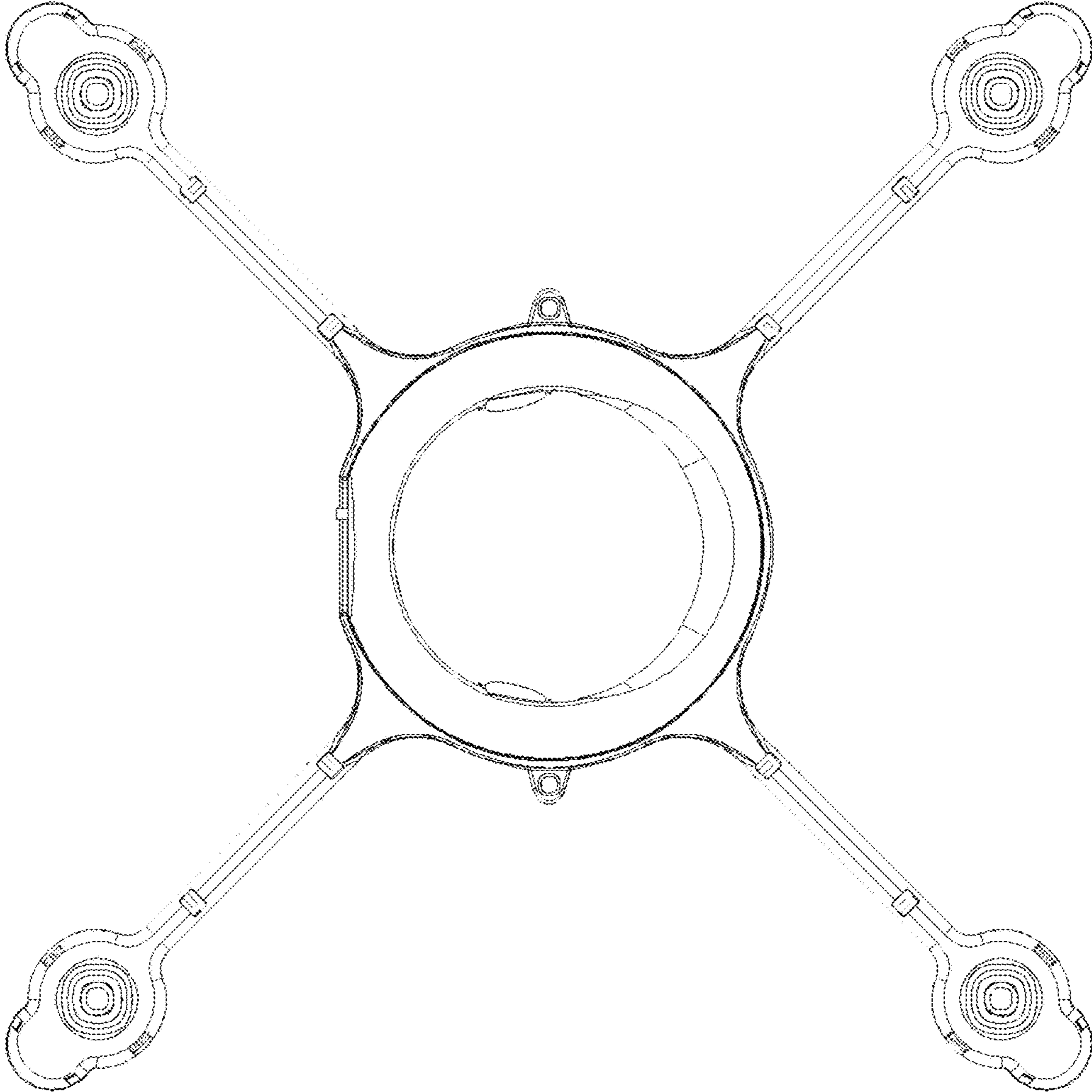


FIG. 7

