



US00D884552S

(12) **United States Design Patent**  
**Chen**

(10) **Patent No.:** **US D884,552 S**

(45) **Date of Patent:** **\*\* May 19, 2020**

(54) **RIVET**

(71) Applicant: **Duraflex Hong Kong Limited**, Hong Kong (HK)

(72) Inventor: **Te Chien Chen**, Hong Kong (HK)

(73) Assignee: **Duraflex Hong Kong Limited**, Hong Kong (HK)

(\*\*) Term: **15 Years**

(21) Appl. No.: **29/568,997**

(22) Filed: **Jun. 22, 2016**

(51) **LOC (12) Cl.** ..... **02-07**

(52) **U.S. Cl.**  
USPC ..... **D11/220**

(58) **Field of Classification Search**  
USPC ..... D11/220  
CPC ..... A44B 17/0076  
See application file for complete search history.

(56) **References Cited**

**U.S. PATENT DOCUMENTS**

|               |         |            |       |                        |
|---------------|---------|------------|-------|------------------------|
| D27,537 S *   | 8/1897  | Richardson | ..... | D11/220                |
| D27,538 S *   | 8/1897  | Richardson | ..... | D11/220                |
| D27,865 S *   | 11/1897 | Richardson | ..... | D11/220                |
| 3,083,430 A * | 4/1963  | Shears     | ..... | F16B 21/073<br>24/662  |
| 4,562,624 A * | 1/1986  | Kanzaka    | ..... | A44B 17/0029<br>24/621 |
| D350,501 S *  | 9/1994  | Schriever  | ..... | D11/220                |
| D367,813 S *  | 3/1996  | Halstrom   | ..... | D8/386                 |
| 5,894,641 A * | 4/1999  | Hurtz      | ..... | A44B 17/0011<br>24/633 |
| D642,089 S *  | 7/2011  | Chan       | ..... | D11/220                |
| D664,891 S *  | 8/2012  | Takeda     | ..... | D11/220                |
| D665,304 S *  | 8/2012  | Takeda     | ..... | D11/220                |
| D689,395 S *  | 9/2013  | Chan       | ..... | D11/220                |
| D817,810 S *  | 5/2018  | Chen       | ..... | D11/220                |

(Continued)

**OTHER PUBLICATIONS**

2 PCE Rivet, posted at maclace.com, posting date not given, [online], [site visited Mar. 19, 2019]. Available from Internet, URL: <http://www.maclace.com.au/product.php?id=682> (Year: 2019).\*

(Continued)

*Primary Examiner* — George D. Kirschbaum

*Assistant Examiner* — Maria J Edwards

(57) **CLAIM**

The ornamental design for a rivet, as shown and described.

**DESCRIPTION**

FIG. 1 is a front elevational view of a first component of a rivet showing my new design, shown separately for ease of illustration;

FIG. 2 is a rear elevational view thereof;

FIG. 3 is a left side view thereof;

FIG. 4 is a right side view thereof;

FIG. 5 is a top plan view thereof;

FIG. 6 is a bottom plan view thereof;

FIG. 7 is a perspective view thereof;

FIG. 8 is a front elevational view of a second component of the rivet shown separately for ease of illustration;

FIG. 9 is a rear elevational view of FIG. 8;

FIG. 10 is a left side view of FIG. 8;

FIG. 11 is a right side view of FIG. 8;

FIG. 12 is a top plan view of FIG. 8;

FIG. 13 is a bottom plan view of FIG. 8;

FIG. 14 is a front perspective view of FIG. 8;

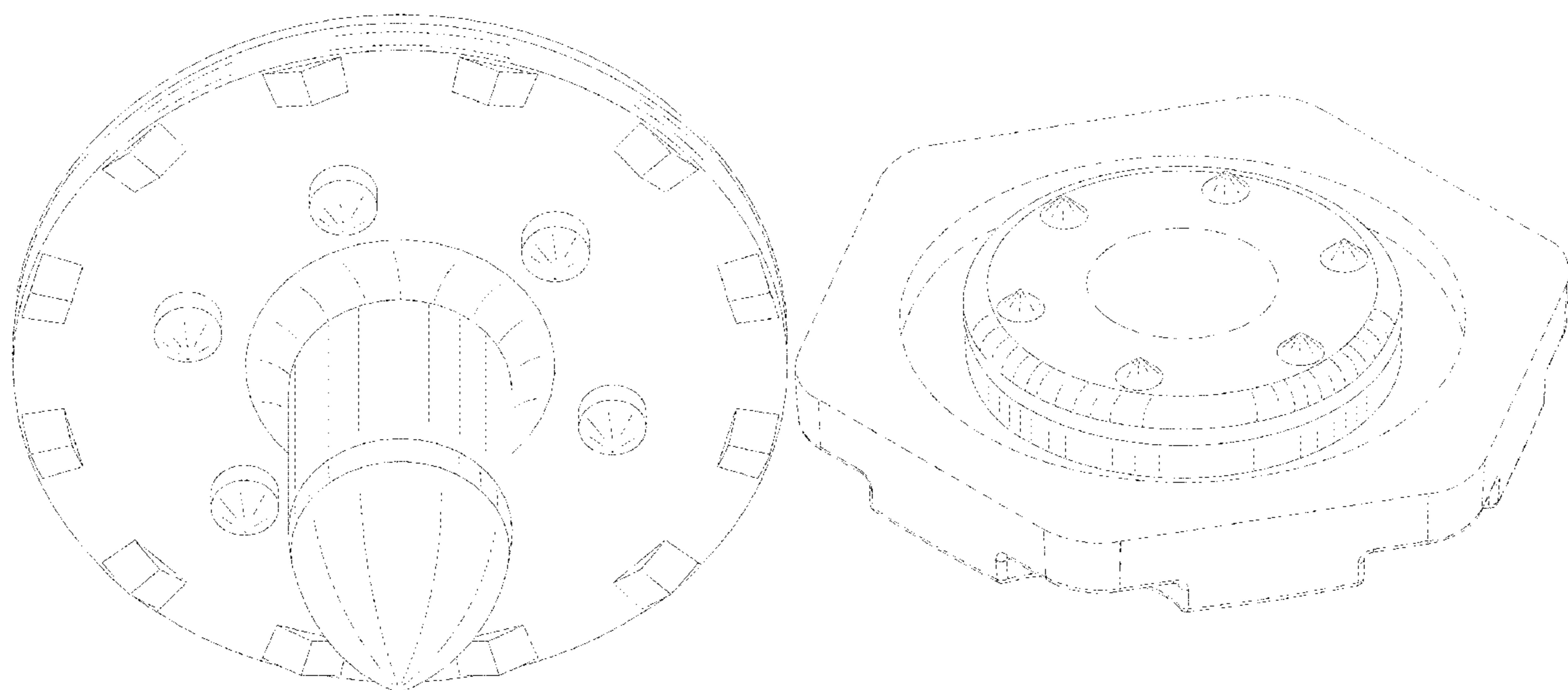
FIG. 15 is a rear perspective view of FIG. 8;

FIG. 16 is a bottom view of the rivet with the first and the second components combined together; and,

FIG. 17 is a perspective view of FIG. 16, the perspective being of the rear of the second component.

The broken lines in the drawings illustrate portions of the rivet which form no part of the claimed design.

**1 Claim, 15 Drawing Sheets**



(56)

**References Cited**

U.S. PATENT DOCUMENTS

D818,393 S \* 5/2018 Chen ..... D11/220  
10,080,402 B2 \* 9/2018 Chen ..... A44B 17/0005  
D844,486 S \* 4/2019 Hayashi ..... D11/220  
D860,045 S \* 9/2019 Oakley ..... A63F 9/0669  
D11/220  
2016/0270487 A1 \* 9/2016 Chen ..... A44B 17/0023  
2017/0347756 A1 \* 12/2017 Chen ..... A44B 17/0005  
2018/0271227 A1 \* 9/2018 Hayashi ..... A44B 17/0029

OTHER PUBLICATIONS

B141 Rivet, posted at duraflexgroup.com, posting date not given, [online], [site visited Mar. 19, 2019]. Available from Internet, URL: <http://www.duraflexgroup.com/productDetail.aspx?id=666&sort=garment> (Year: 2019).\*

Kappa Rivet, posted at duraflexgroup.com, posting date not given, [online], [site visited Mar. 19, 2019]. Available from Internet, URL: <http://www.duraflexgroup.com/productDetail.aspx?id=639&sort=garment> (Year: 2019).\*

Nike Rivet, posted at duraflexgroup.com, posting date not given, [online], [site visited Mar. 19, 2019]. Available from Internet, URL: <http://www.duraflexgroup.com/productDetail.aspx?id=655&sort=garment> (Year: 2019).\*

\* cited by examiner

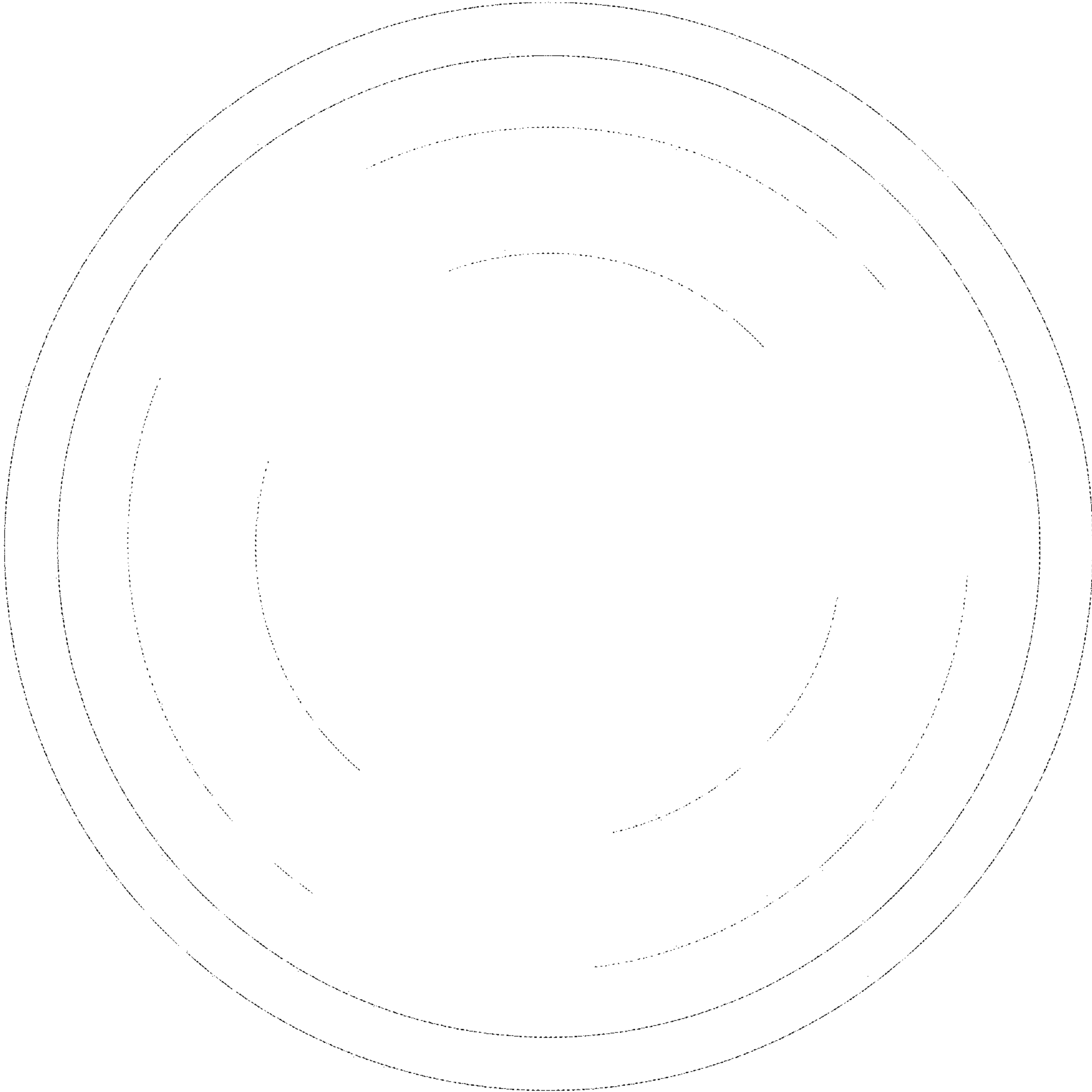


Fig.1

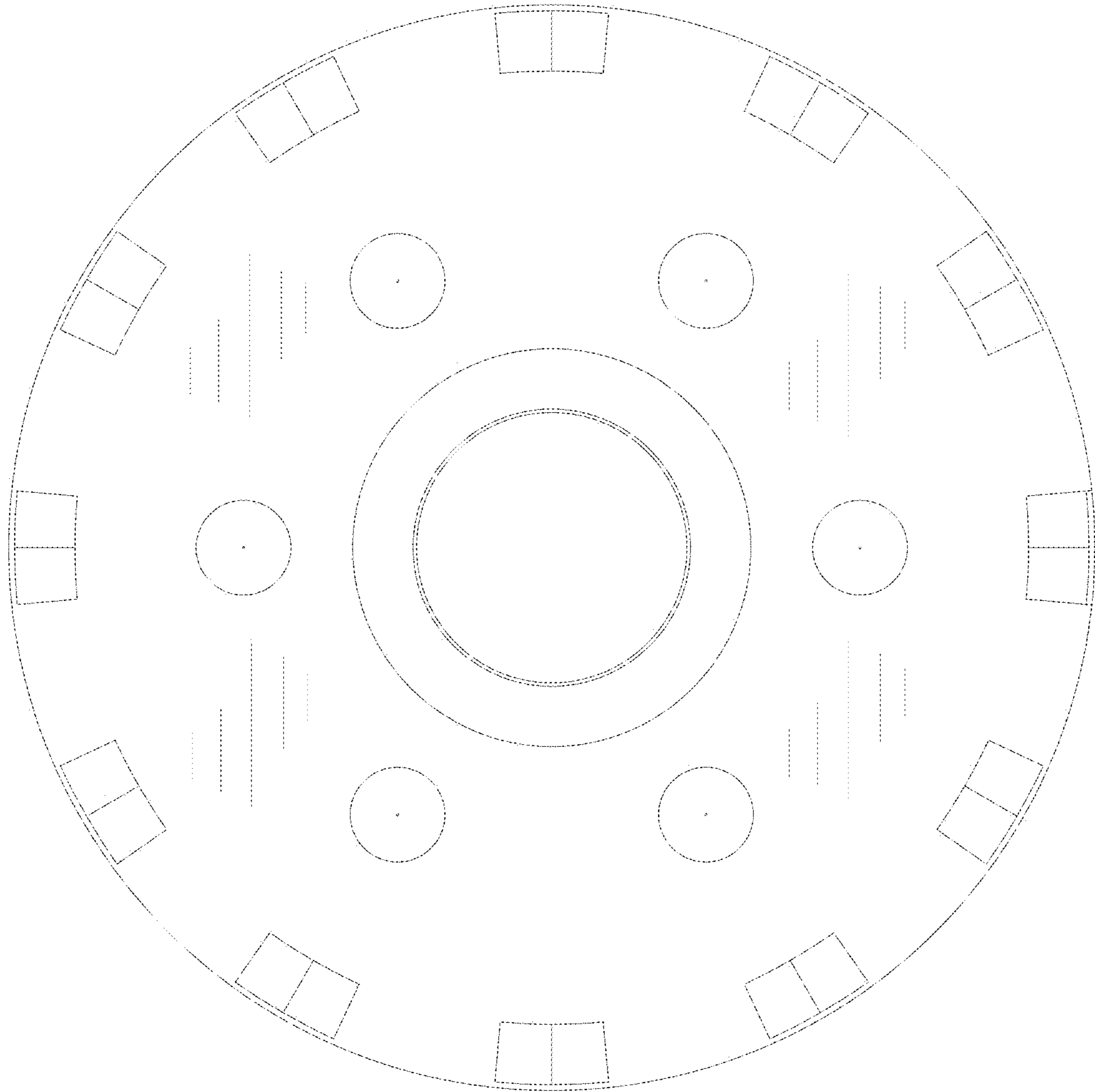


Fig.2

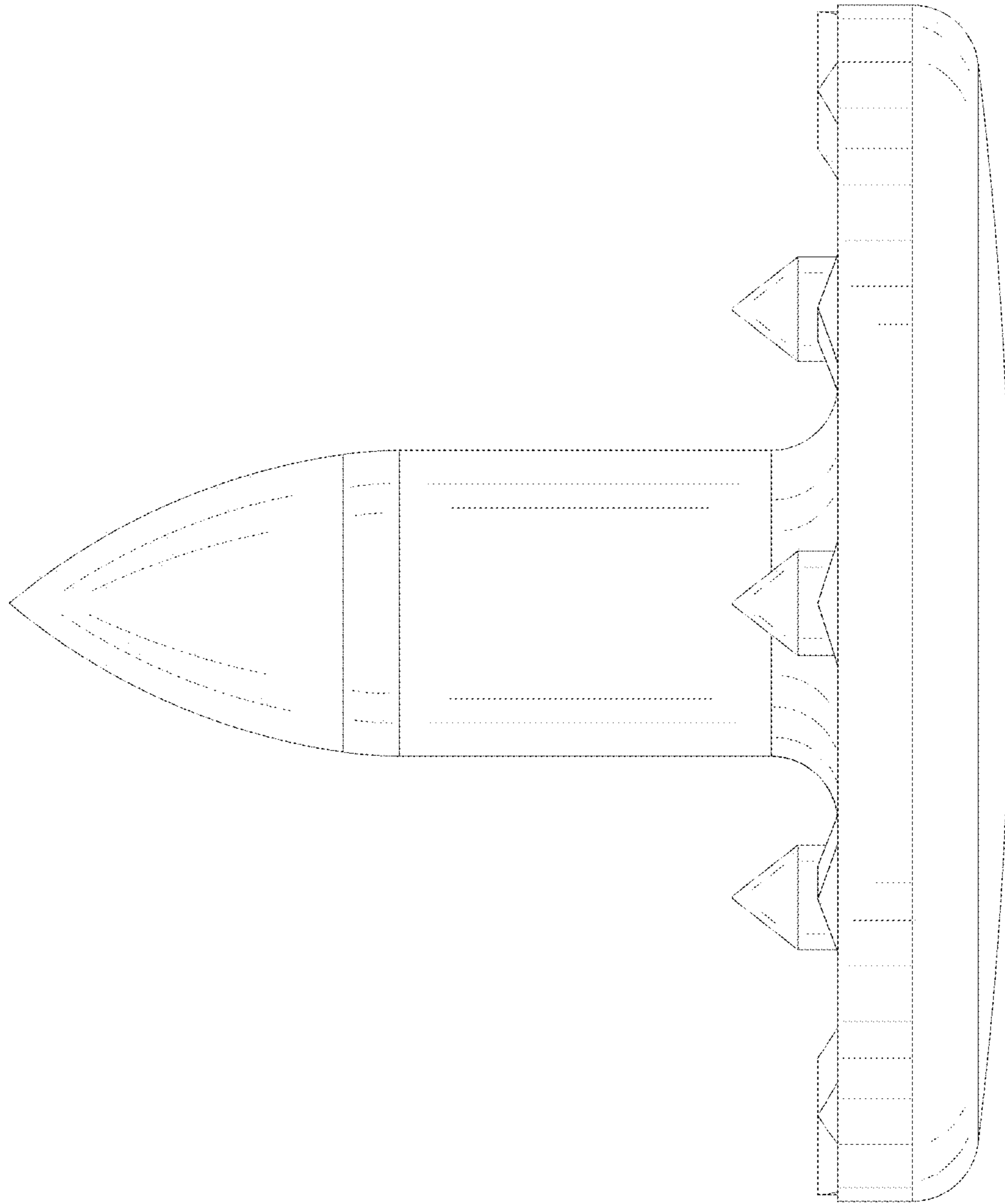


Fig.3

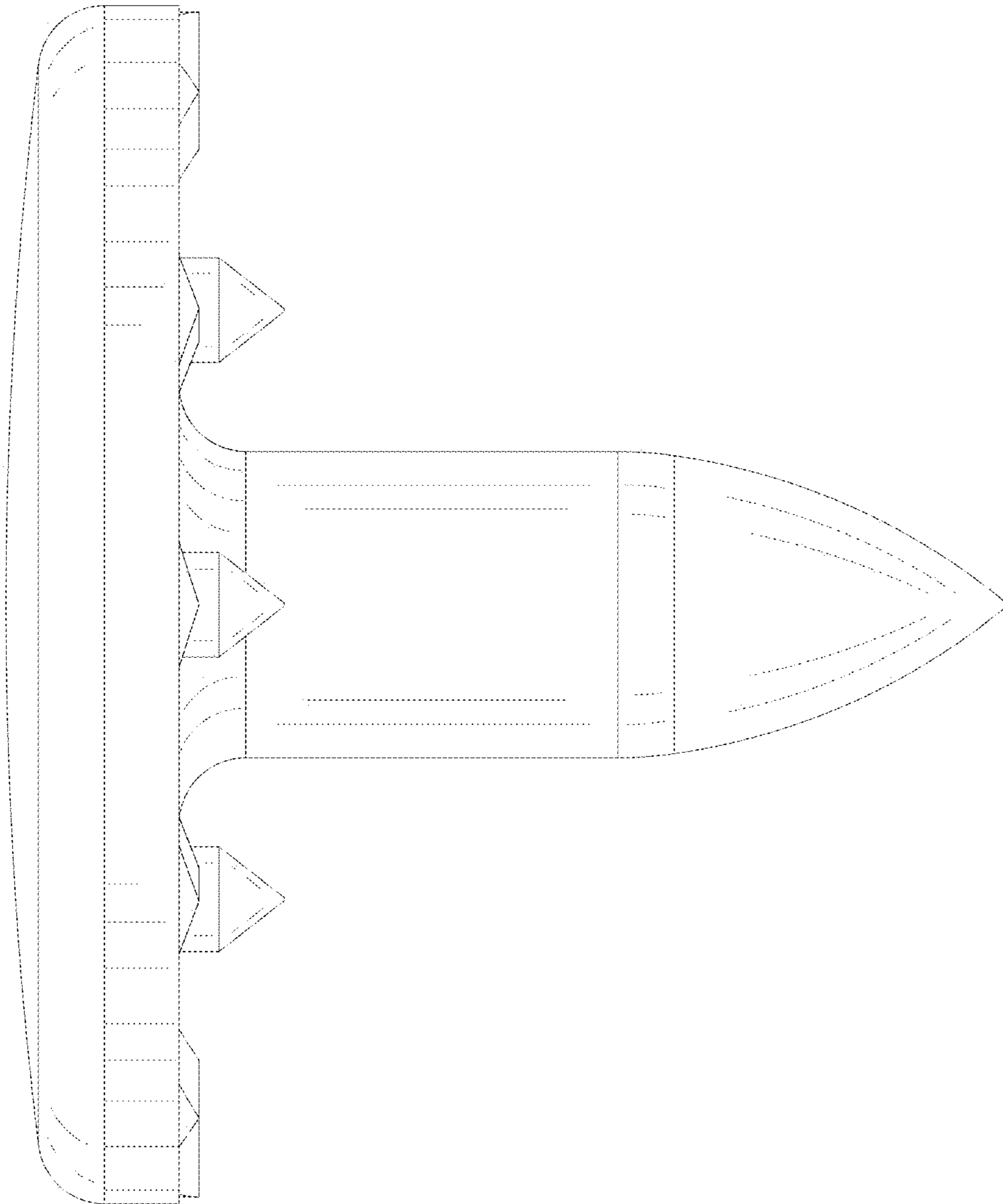


Fig.4

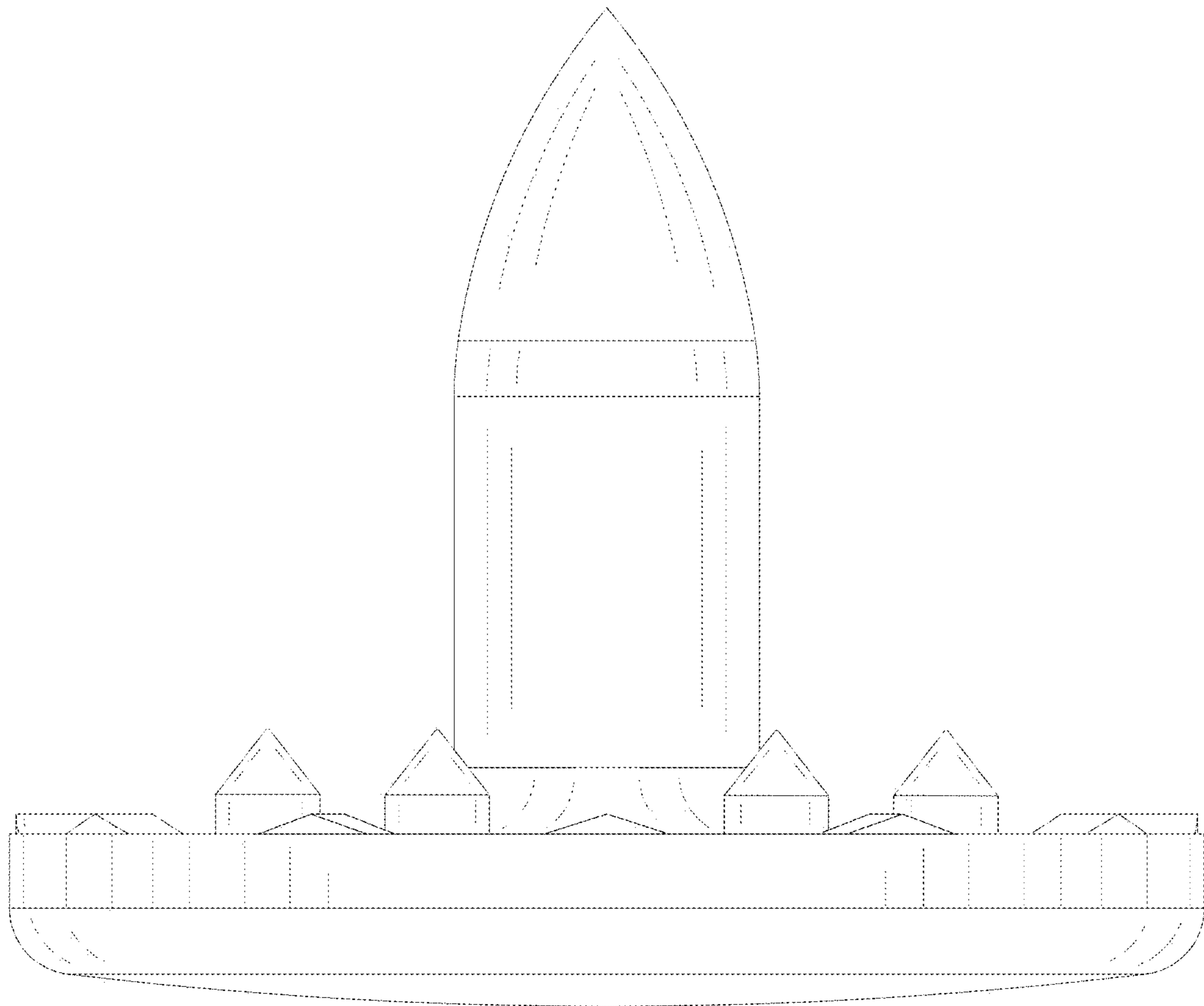


Fig.5

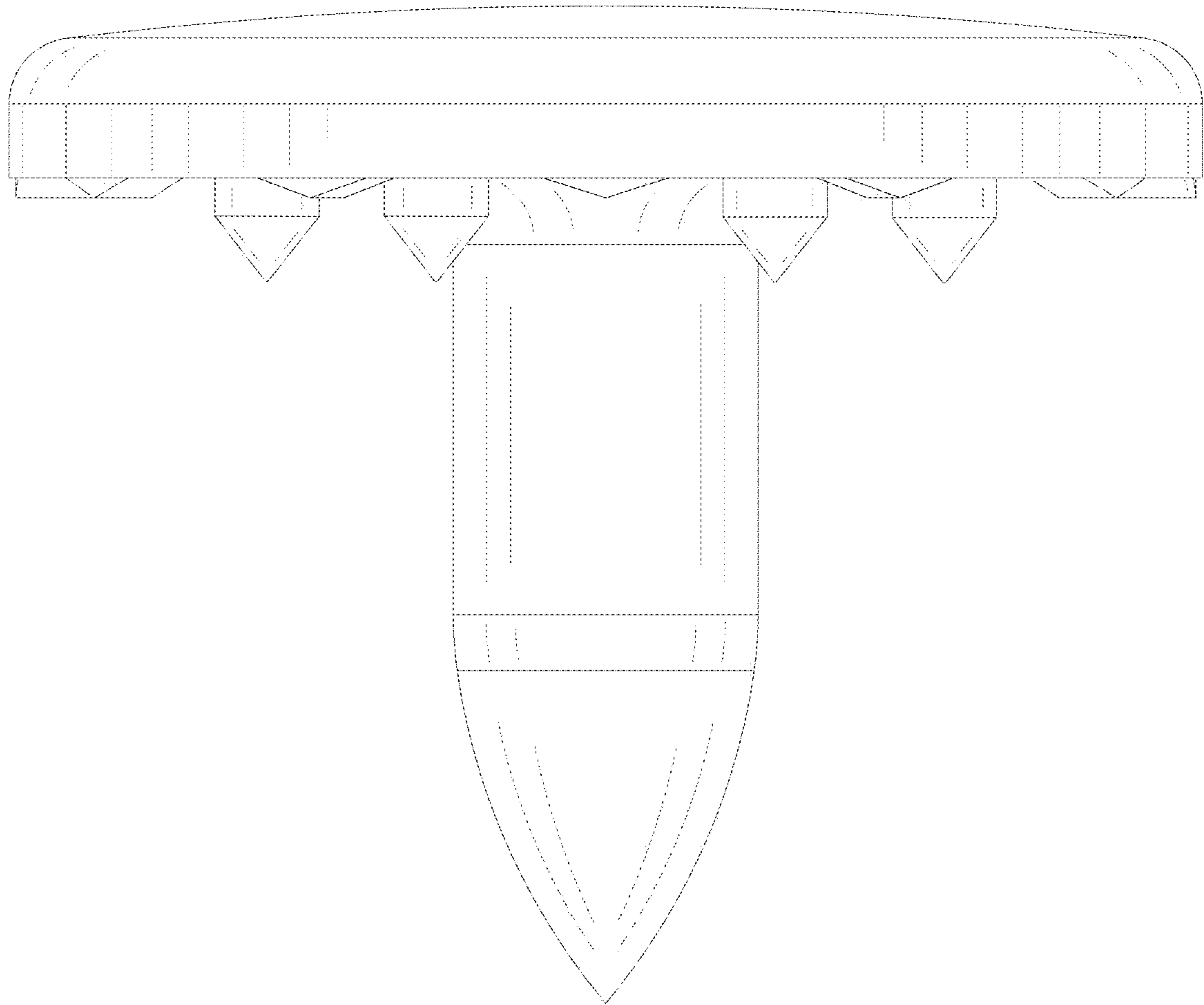


Fig.6



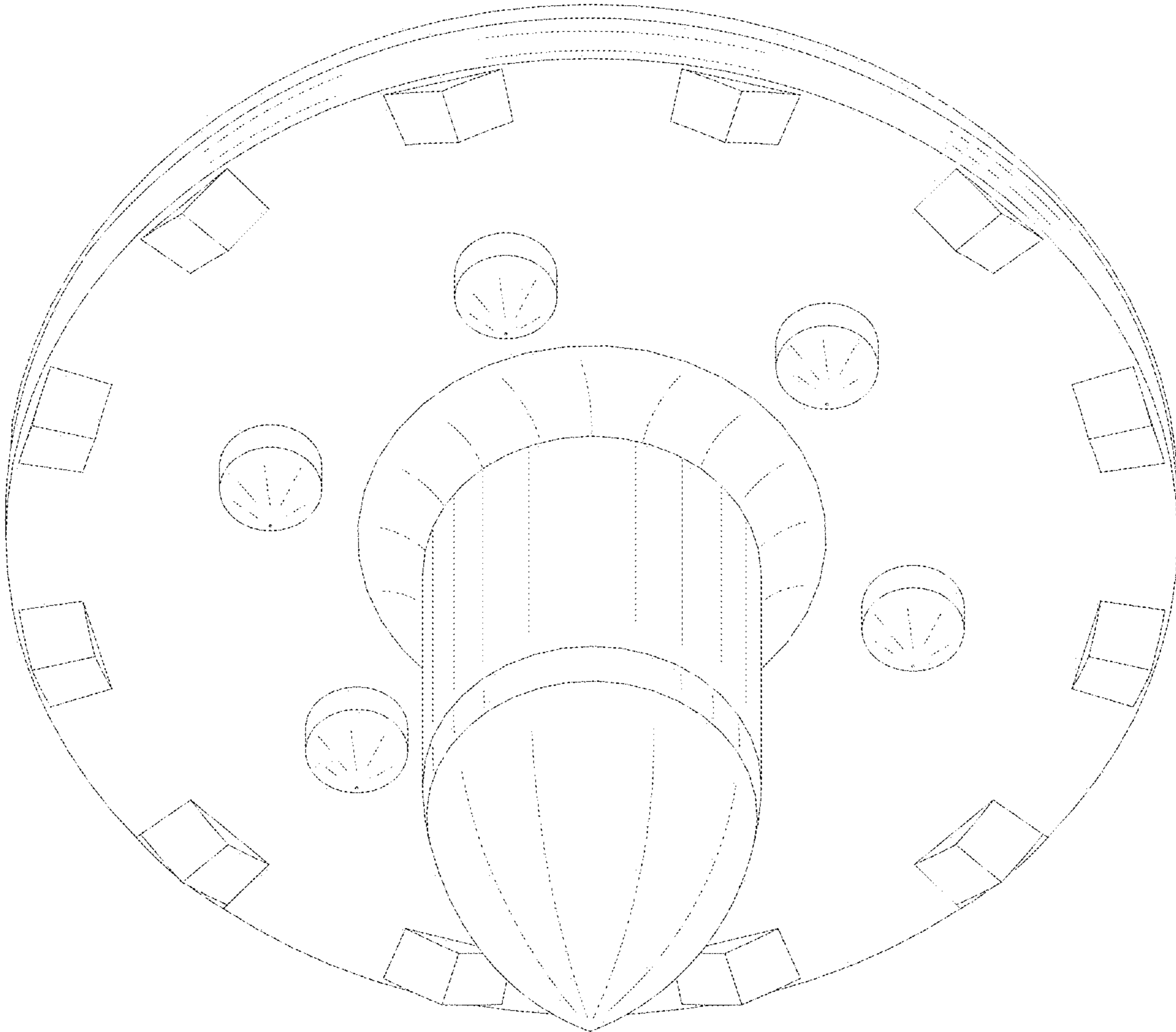


Fig.7

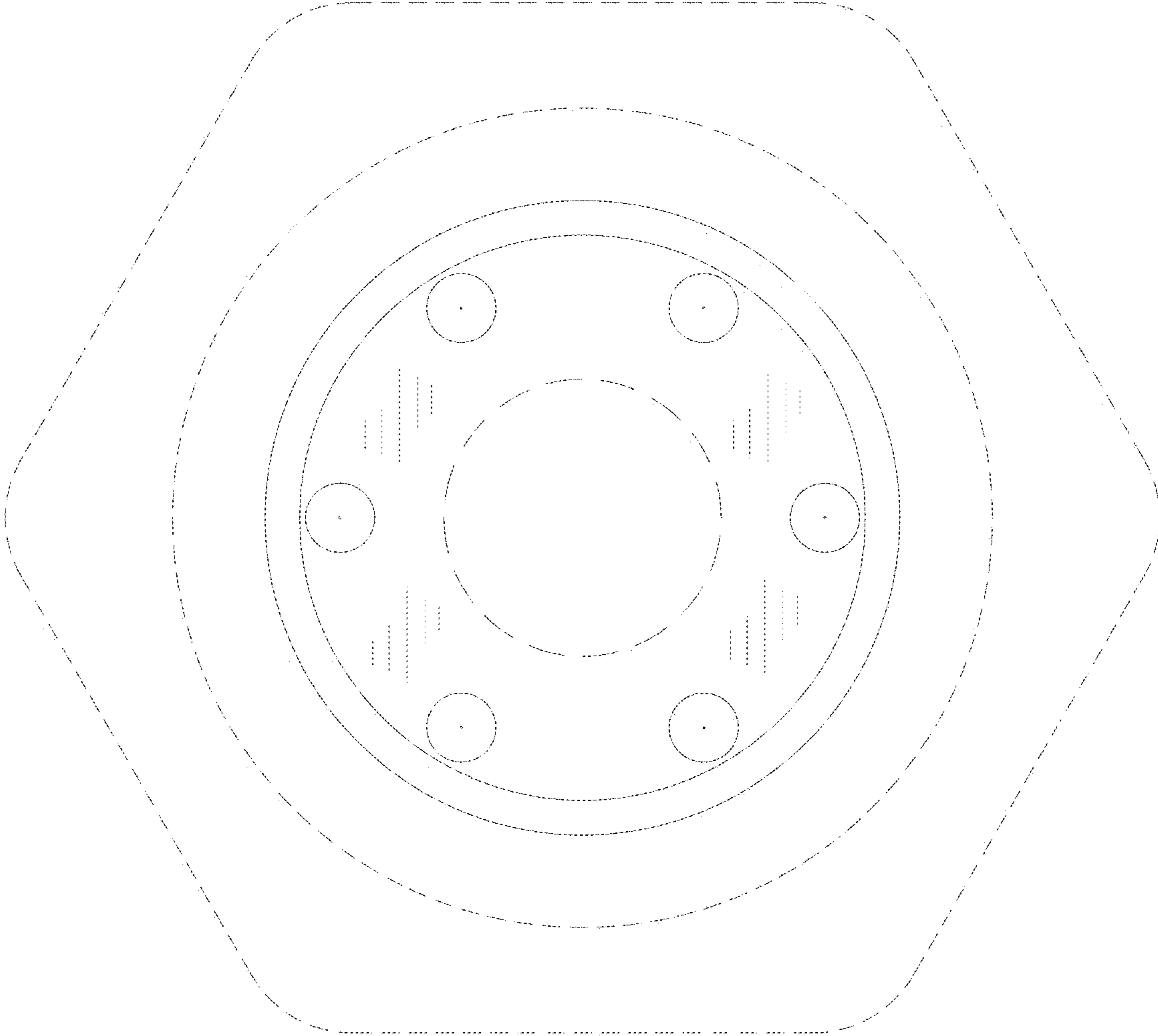


Fig.8

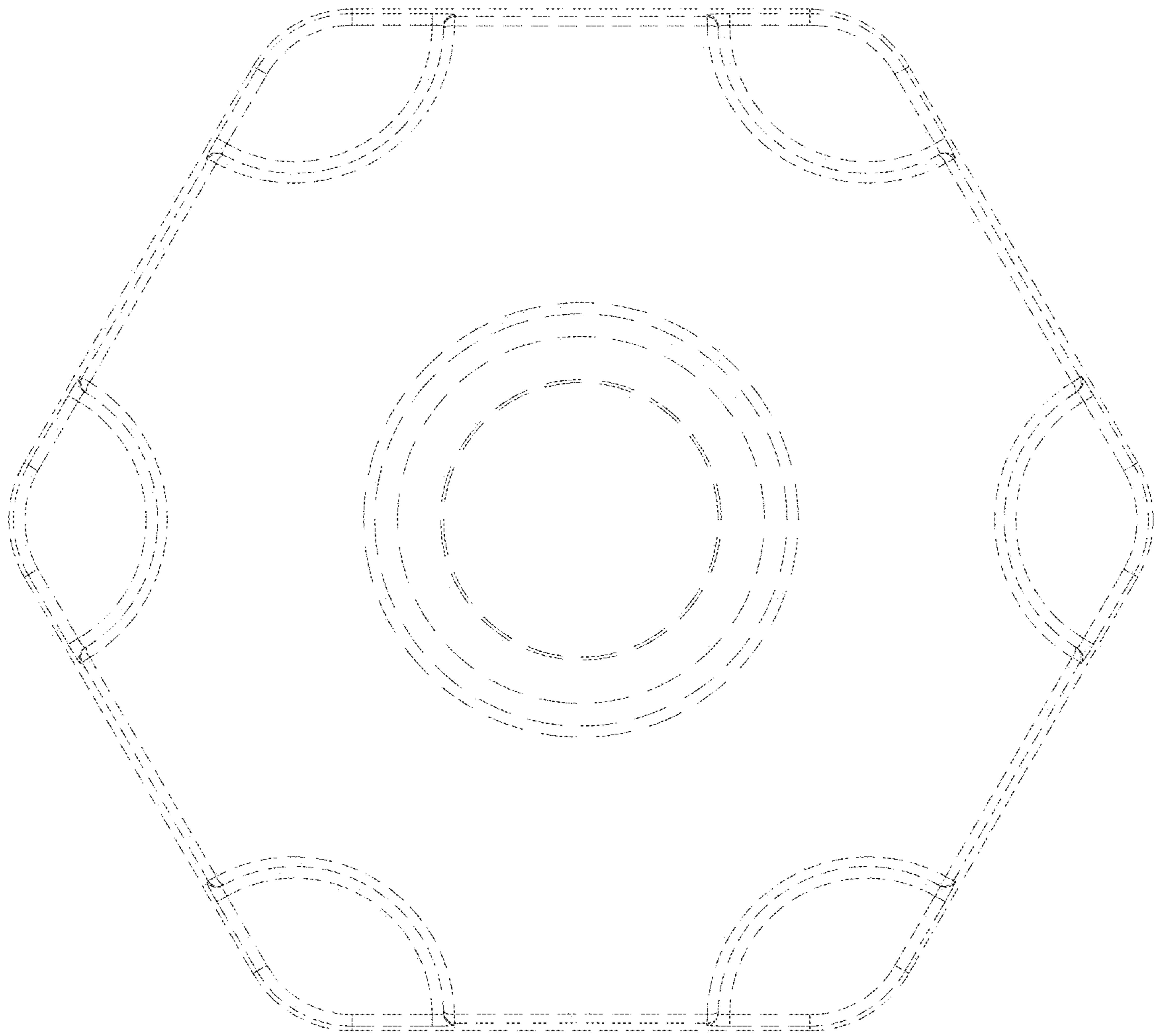


Fig.9

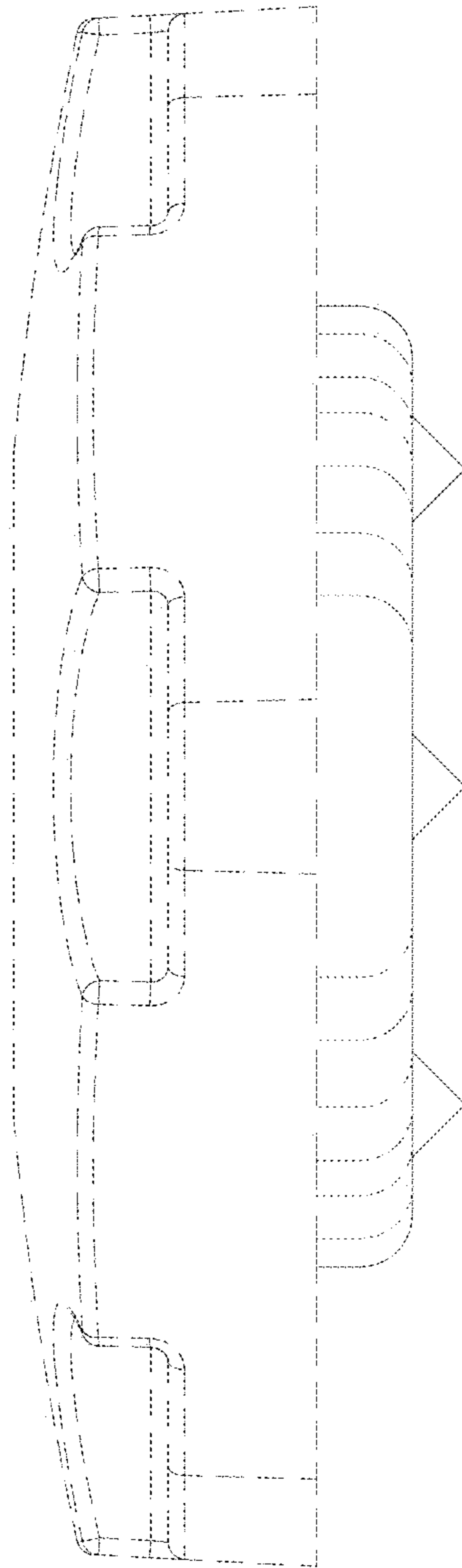


Fig.10

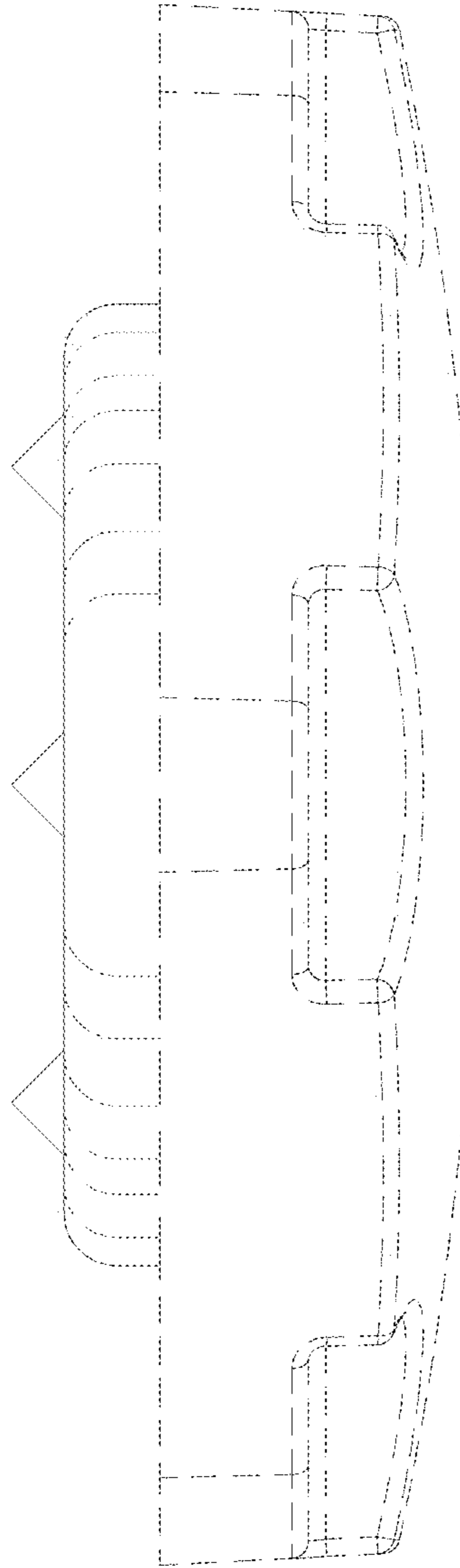


Fig.11

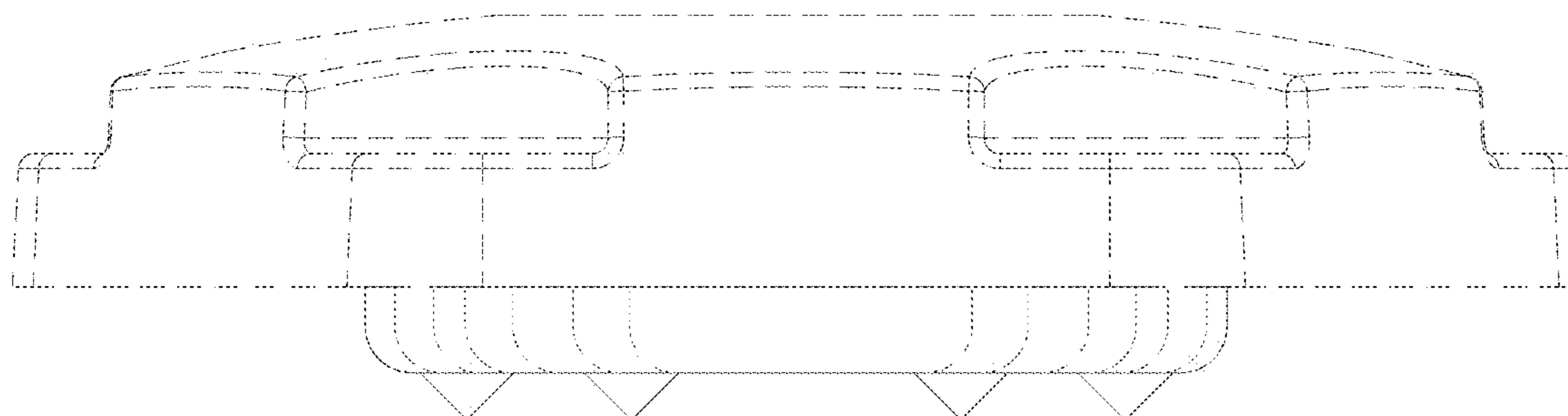


Fig.12

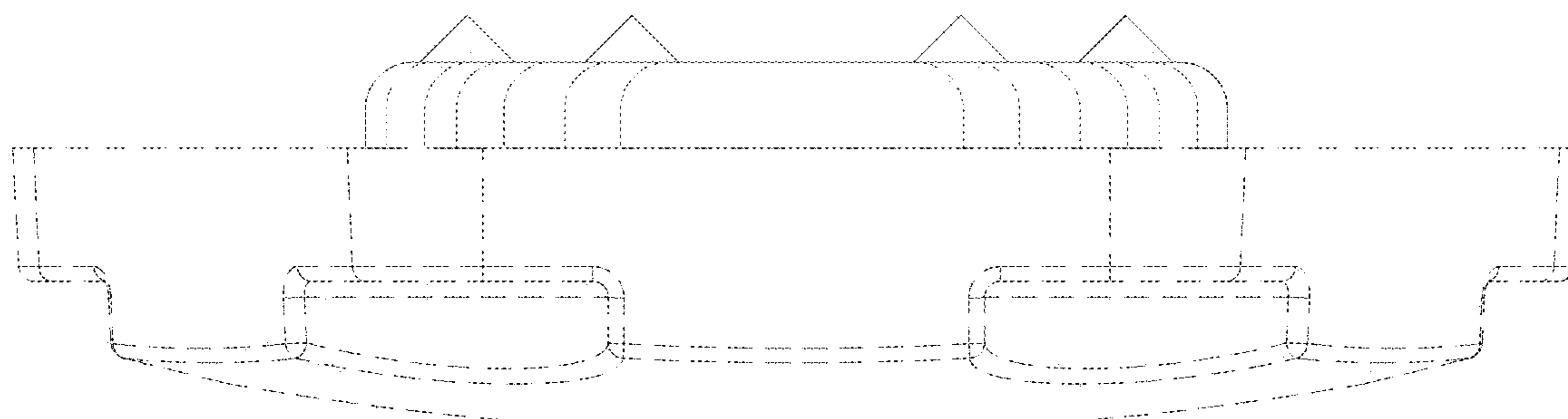


Fig.13

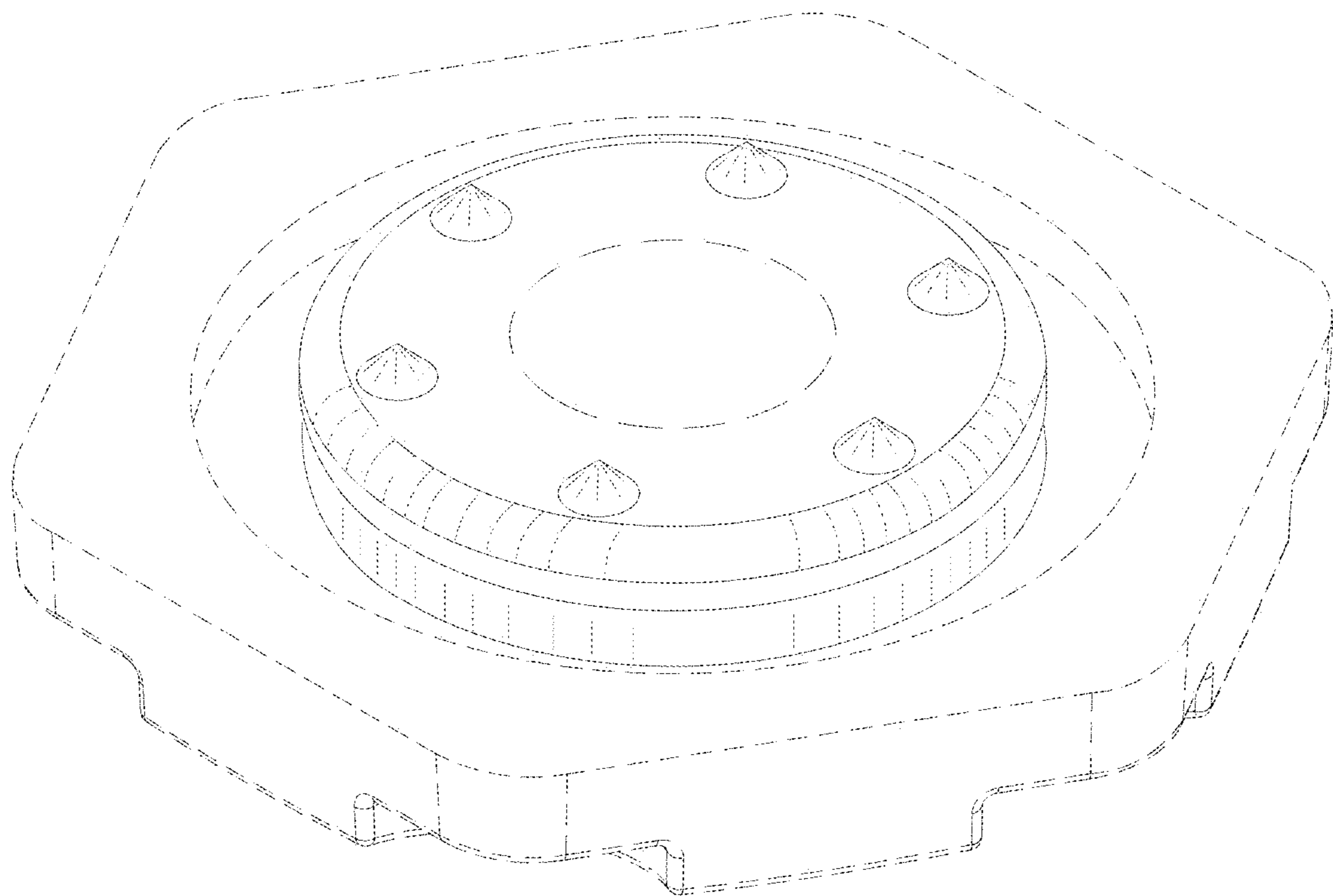


Fig.14

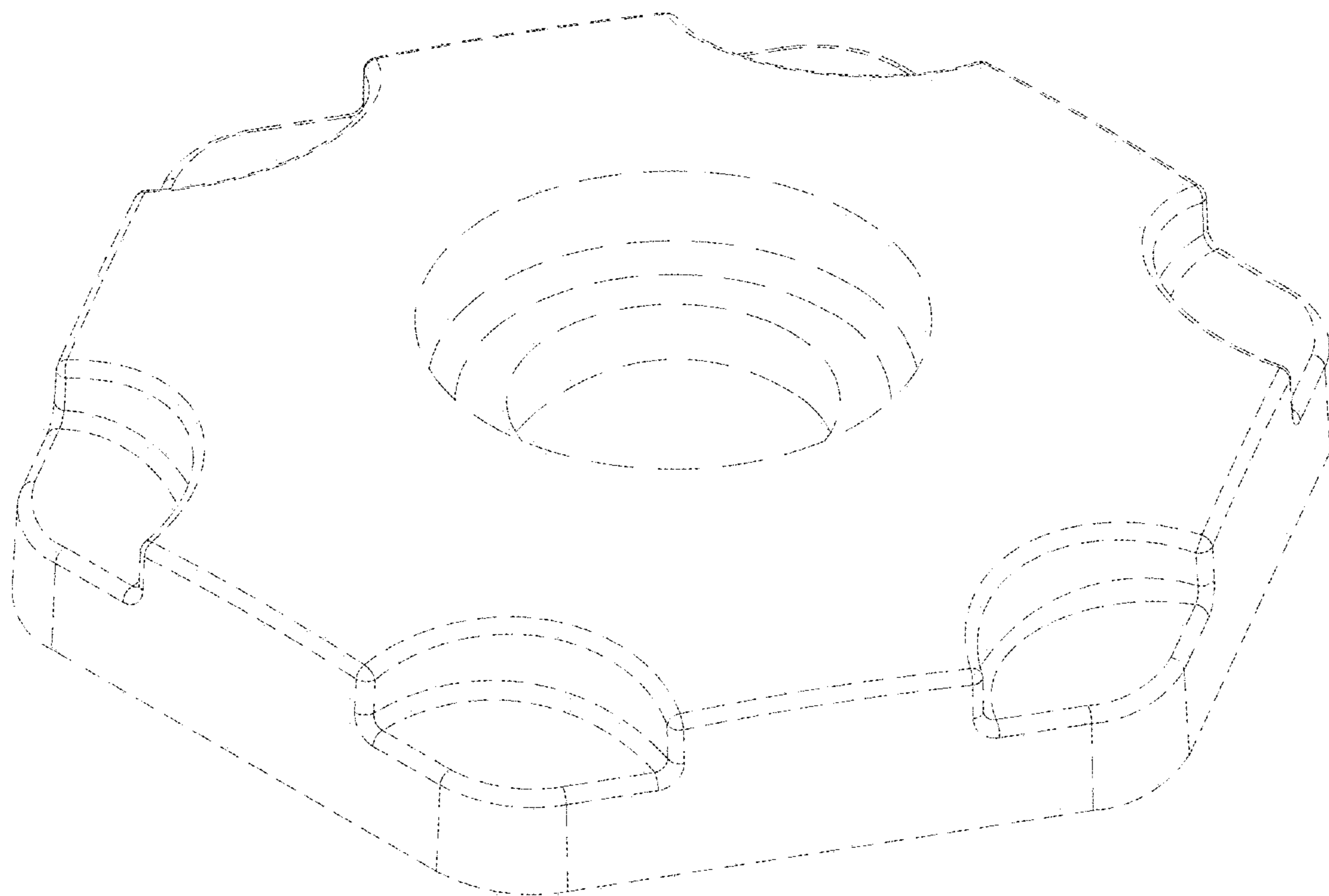


Fig.15

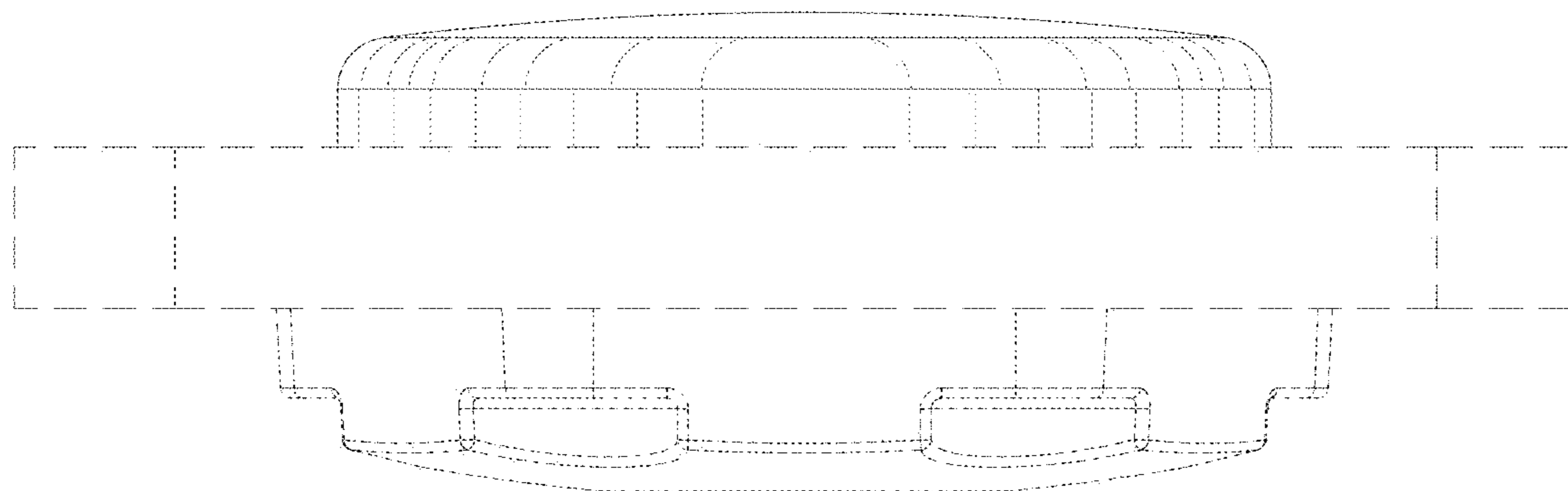


Fig.16



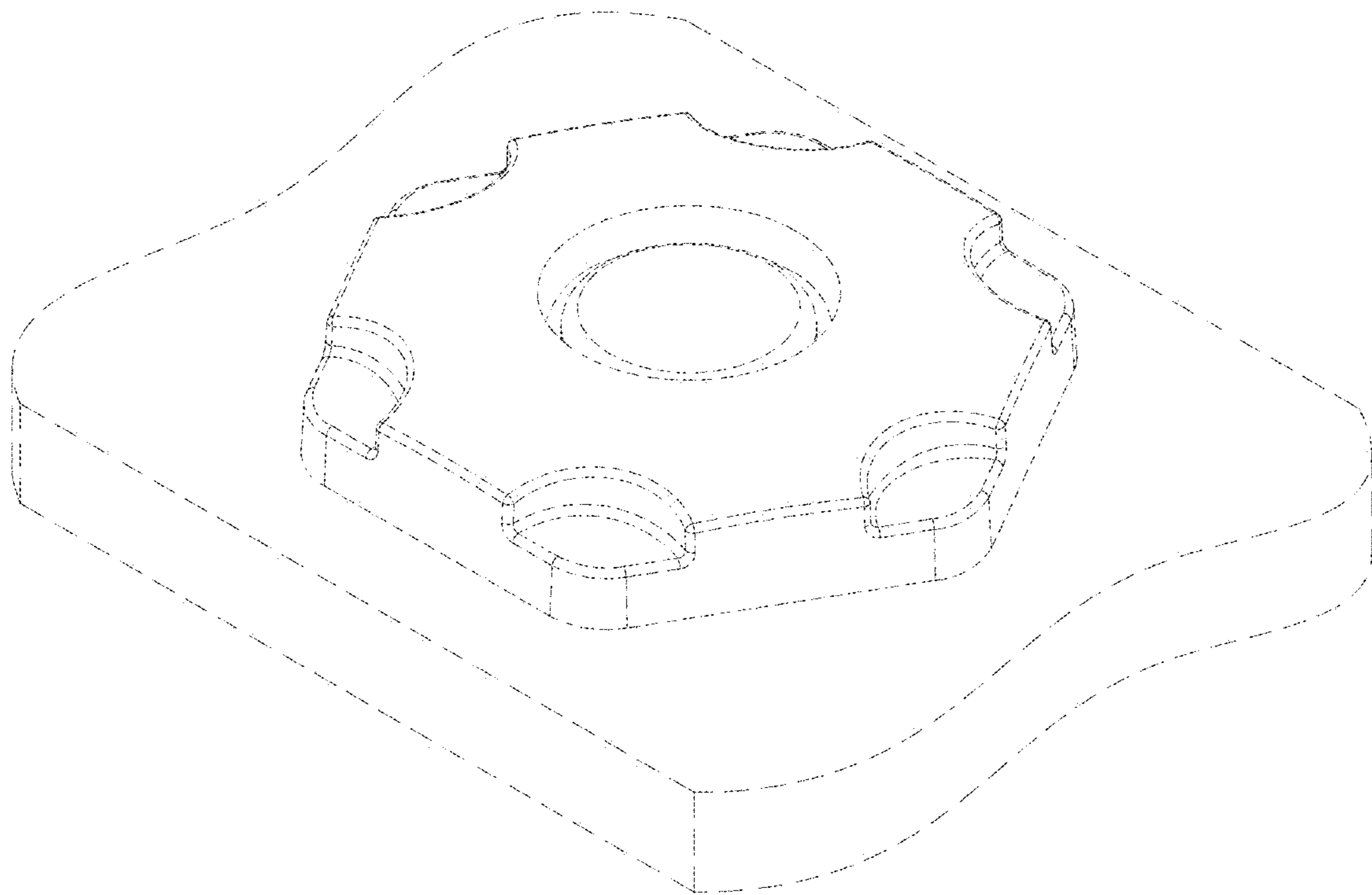


Fig.17