



US00D884551S

(12) **United States Design Patent** (10) **Patent No.:** **US D884,551 S**
Lee (45) **Date of Patent:** **** May 19, 2020**

(54) **FEMALE BUCKLE**

(71) Applicant: **Duraflex Hong Kong Limited**, Hong Kong (CN)

(72) Inventor: **Ray Lee**, Taipei (TW)

(73) Assignee: **Duraflex Hong Kong Limited**, Hong Kong (CN)

(**) Term: **15 Years**

(21) Appl. No.: **29/619,513**

(22) Filed: **Sep. 29, 2017**

(51) **LOC (12) Cl.** **02-07**

(52) **U.S. Cl.**
USPC **D11/216**

(58) **Field of Classification Search**

USPC D2/624, 626, 627, 633, 639, 640, 853, D2/923; D3/24, 213, 215, 216, 230; D8/14, 331, 343, 349, 356, 358, 359, 360, D8/363, 366, 371, 382, 394, 395; D10/32, 38; D11/1, 2, 3, 12, 16, 86, 87, D11/93, 200, 201, 206–210, 212–218, D11/229–237; D12/195, 416; D29/100–101.5, 122, 129, 130; D30/139, D30/152, 153

CPC A44B 11/00; A44B 11/02; A44B 11/04; A44B 11/05; A44B 11/06; A44B 11/10; A44B 11/14; A44B 11/18; A44B 11/22; A44B 11/25; A44B 11/26; A44B 11/125; A44B 11/223; A44B 11/001; A44B 11/005; A44B 11/006; A44B 11/2503; A44B 11/2507; A44B 11/2526; A44B 11/2553; A44B 11/2592; A41F 1/008; A41F 9/002; A41F 9/007; A41F 11/06; B60R 22/30; B60R 22/32; B60R 22/022; B60R 2022/1806; B60R 2022/1812; B60R 2022/281; B65D 63/16; A62B 35/00

See application file for complete search history.

(56) **References Cited**

U.S. PATENT DOCUMENTS

D381,936 S *	8/1997	Anscher	D11/216
D491,102 S *	6/2004	Matoba	D11/216
D495,971 S *	9/2004	Uehara	D11/216
D516,754 S *	3/2006	Curtis	D30/152
D519,409 S *	4/2006	Sporn	D11/216
D521,411 S *	5/2006	Moeller	D11/216
D688,157 S *	8/2013	Kao	D11/216
D693,734 S *	11/2013	Kao	D11/216
D784,851 S *	4/2017	Lin	D11/216
D799,370 S *	10/2017	Paik	D11/216
D862,283 S *	10/2019	Paik	D11/216
2006/0218761 A1 *	10/2006	Anscher	A44B 11/006 24/614
2010/0107370 A1 *	5/2010	Paik	A44B 11/266 24/190

* cited by examiner

Primary Examiner — Kevin K Rudzinski

Assistant Examiner — Richard Kearney

(74) *Attorney, Agent, or Firm* — Collard & Roe, P.C.

(57) **CLAIM**

The ornamental design for a female buckle, as shown and described.

DESCRIPTION

FIG. 1 is a front, right side and bottom view of a female buckle, showing my new design;

FIG. 2 is a front view thereof;

FIG. 3 is a rear view thereof;

FIG. 4 is a right side view thereof;

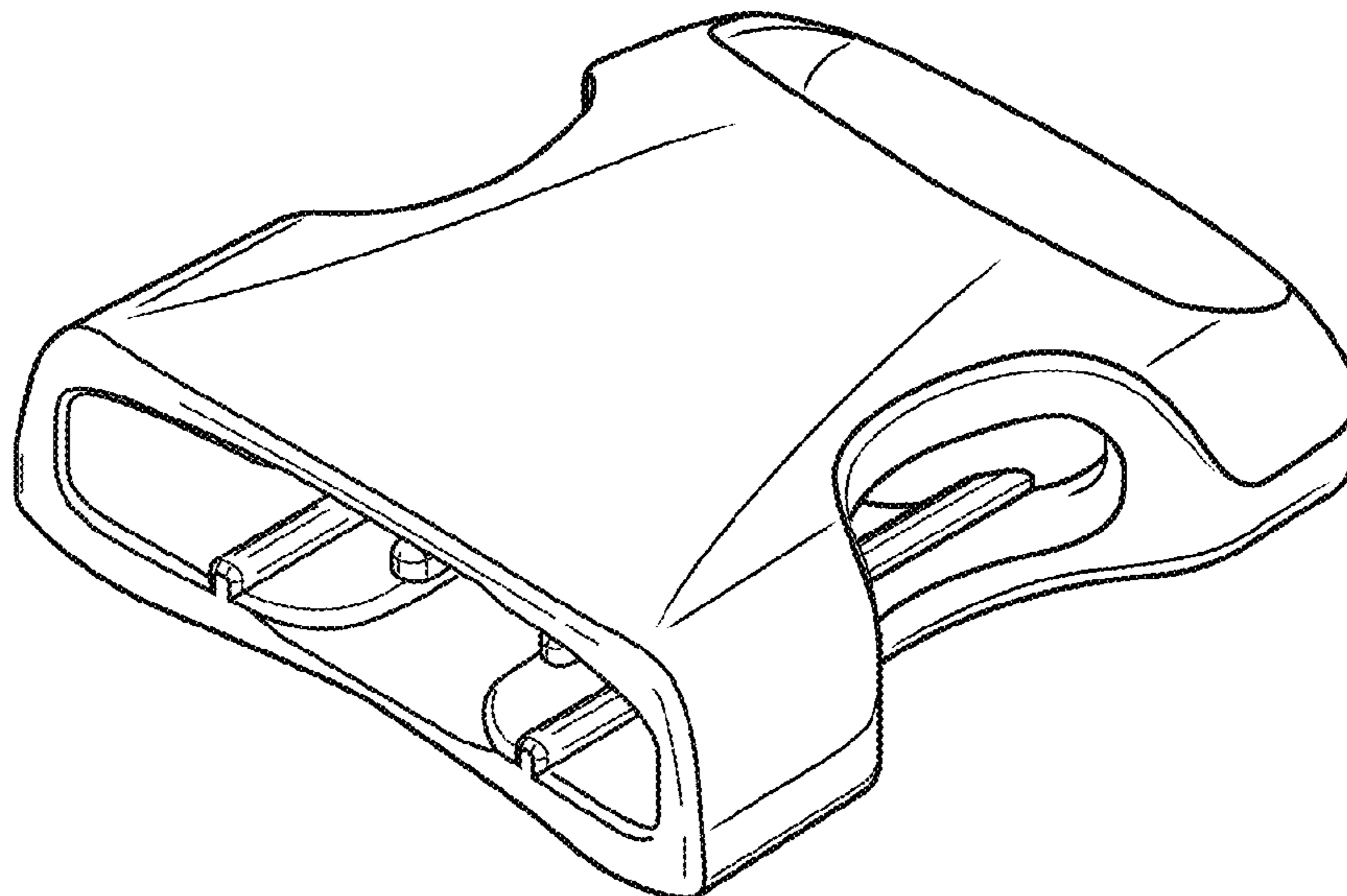
FIG. 5 is a left side view thereof;

FIG. 6 is a top view thereof; and,

FIG. 7 is a bottom view thereof.

The elements shown in broken lines depict portions of the female buckle that form no part of the claimed design.

1 Claim, 3 Drawing Sheets



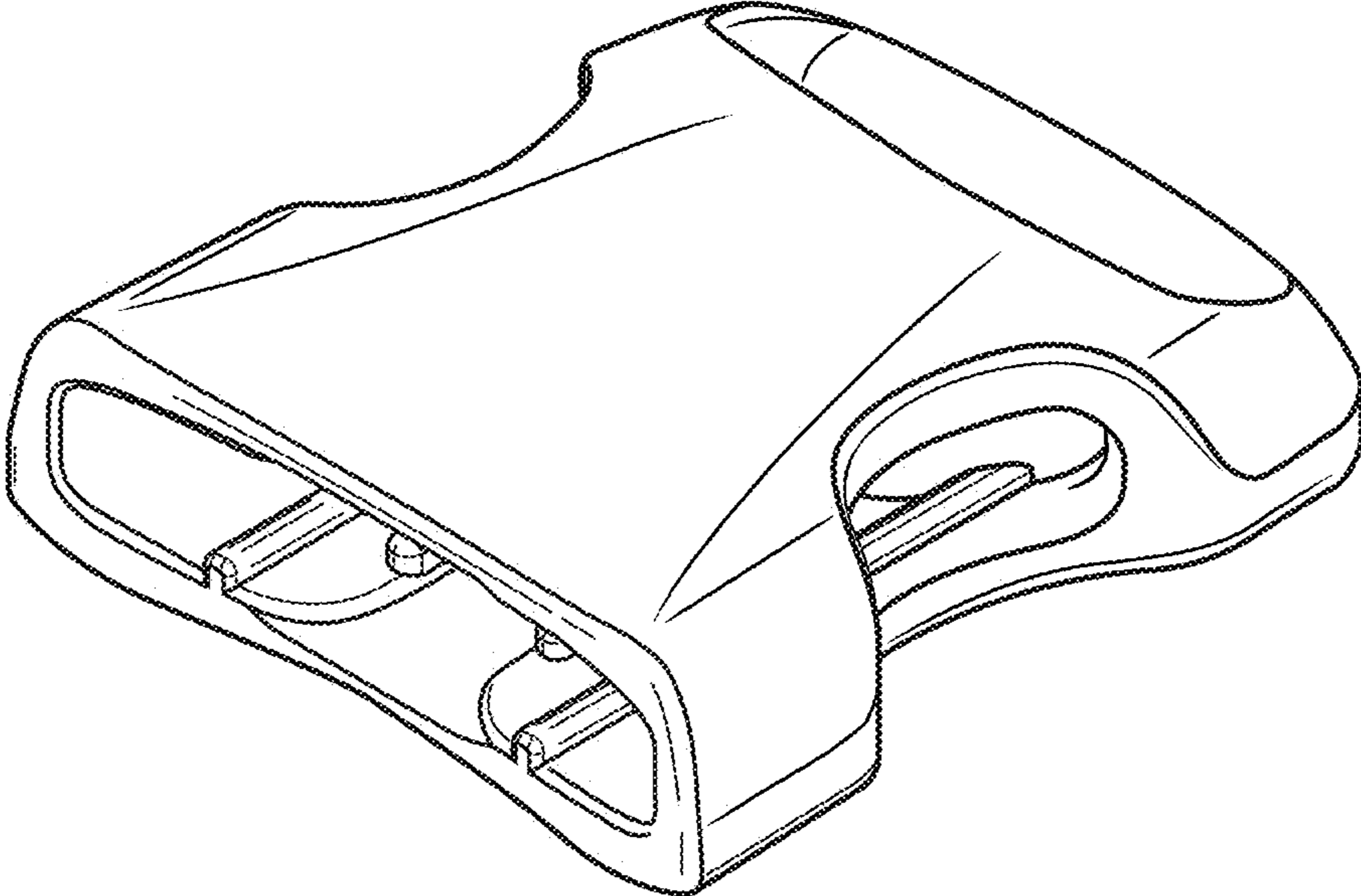


FIG. 1

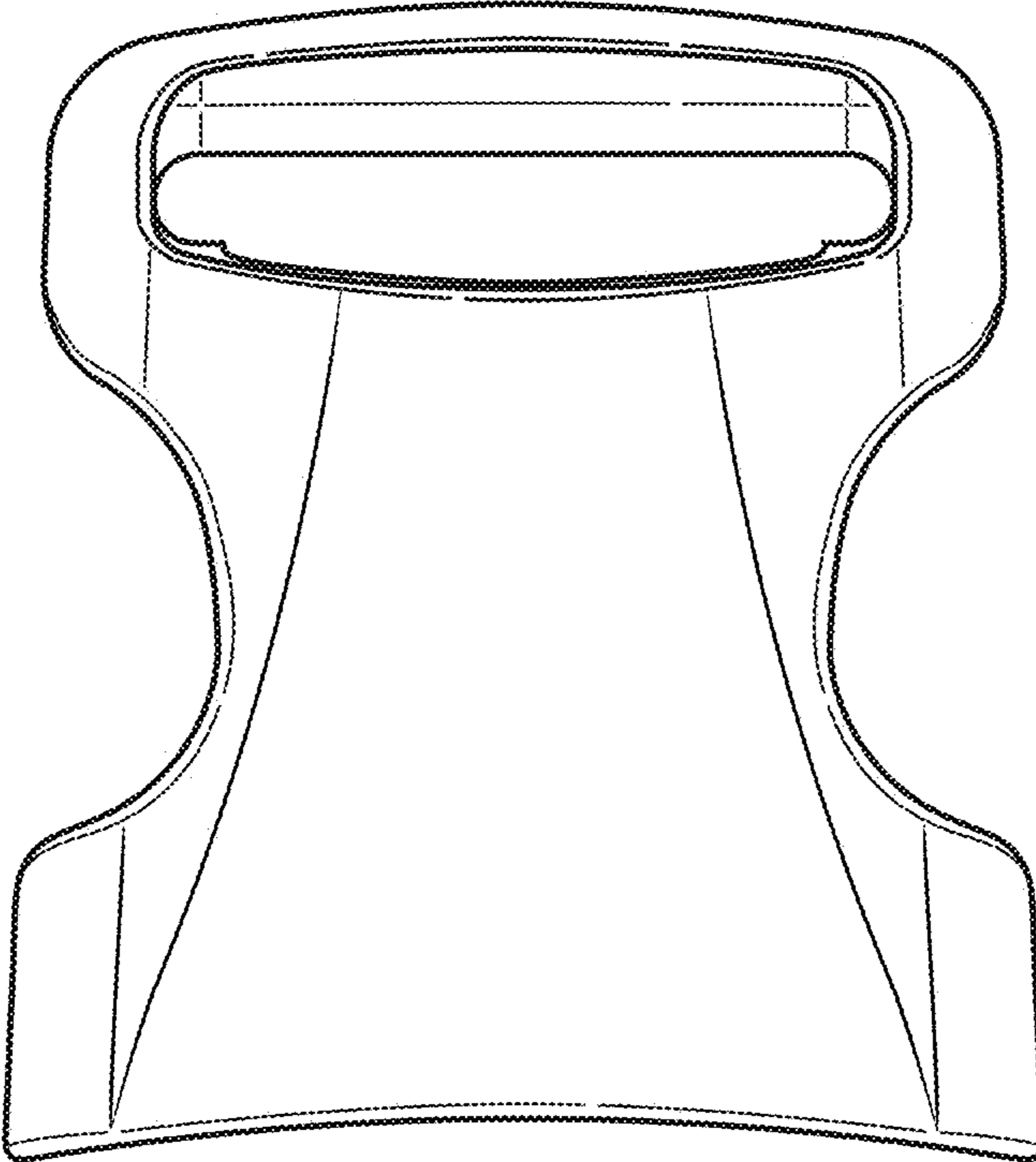


FIG. 2

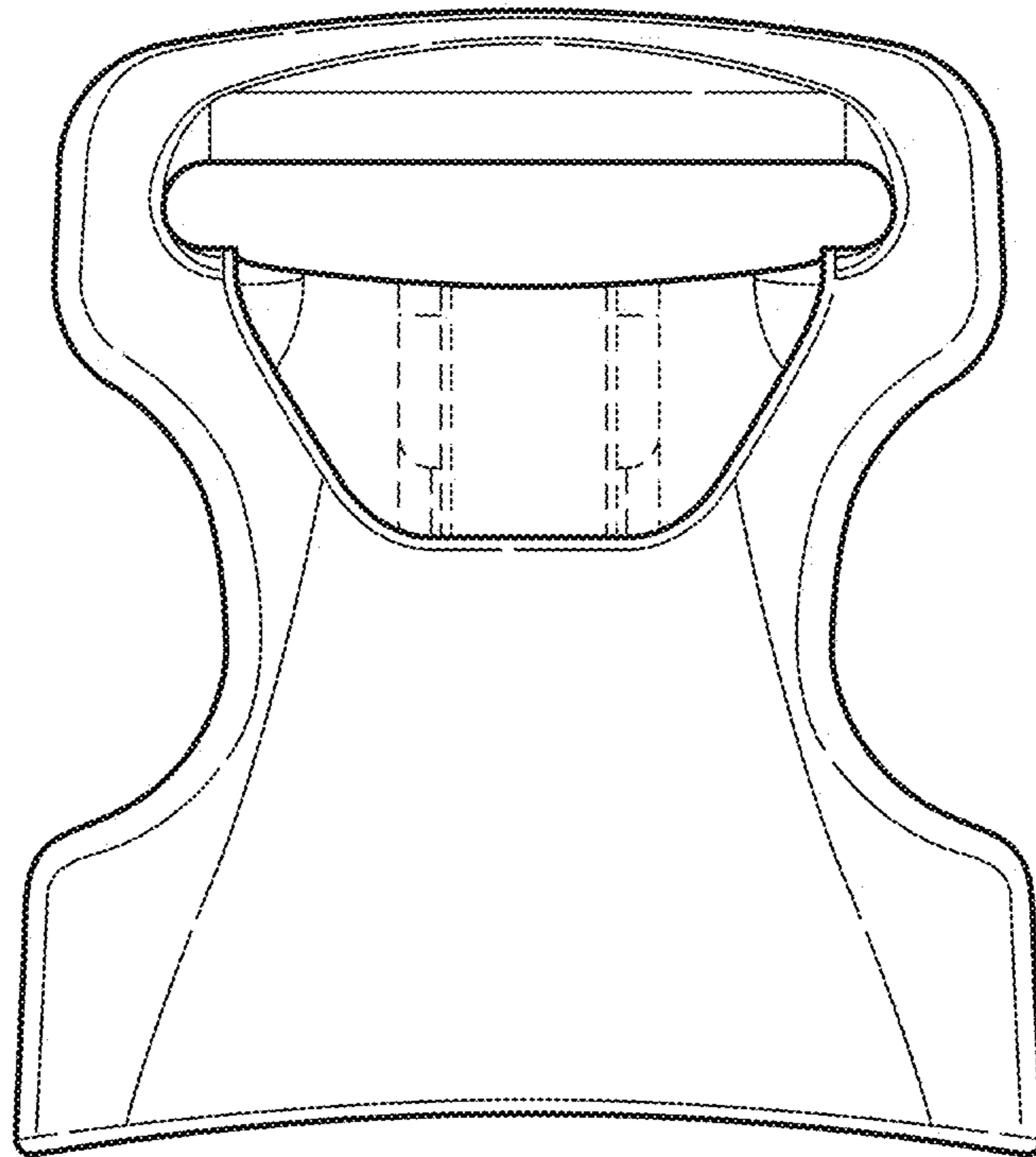


FIG. 3

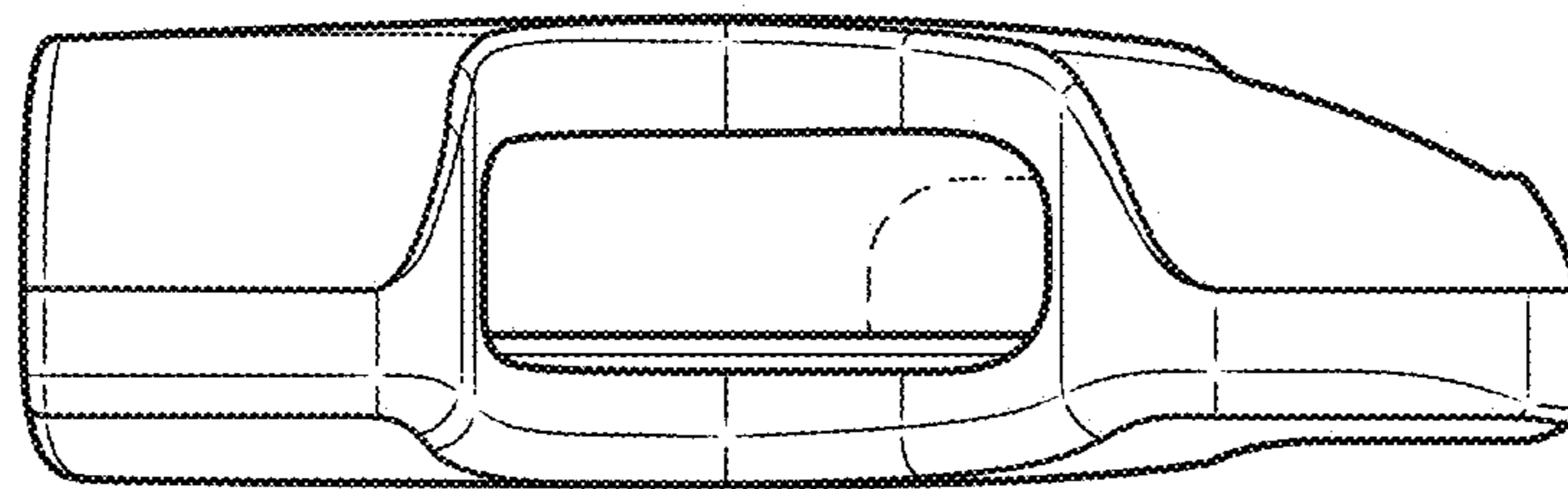


FIG. 4

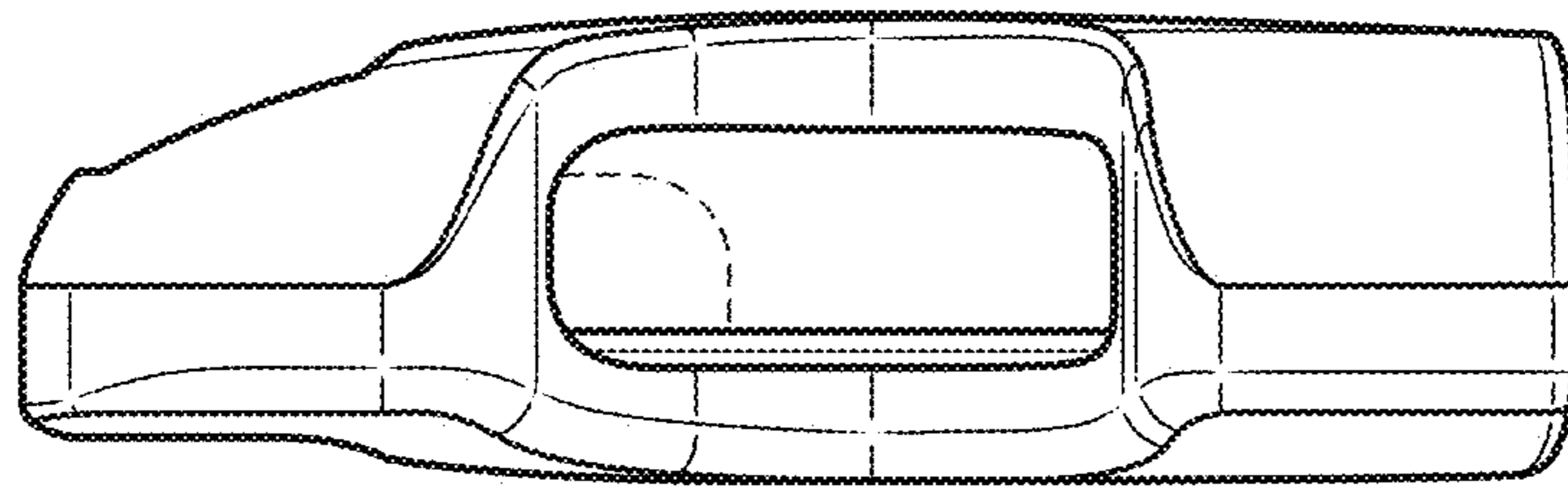


FIG. 5

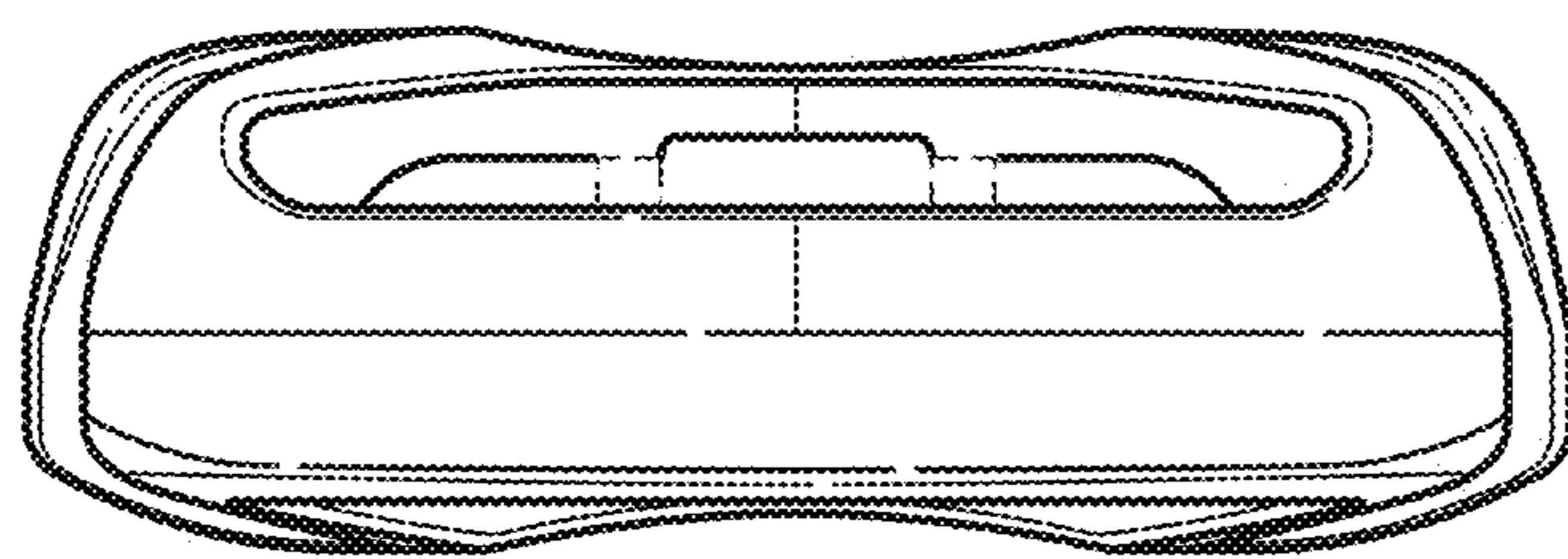


FIG. 6

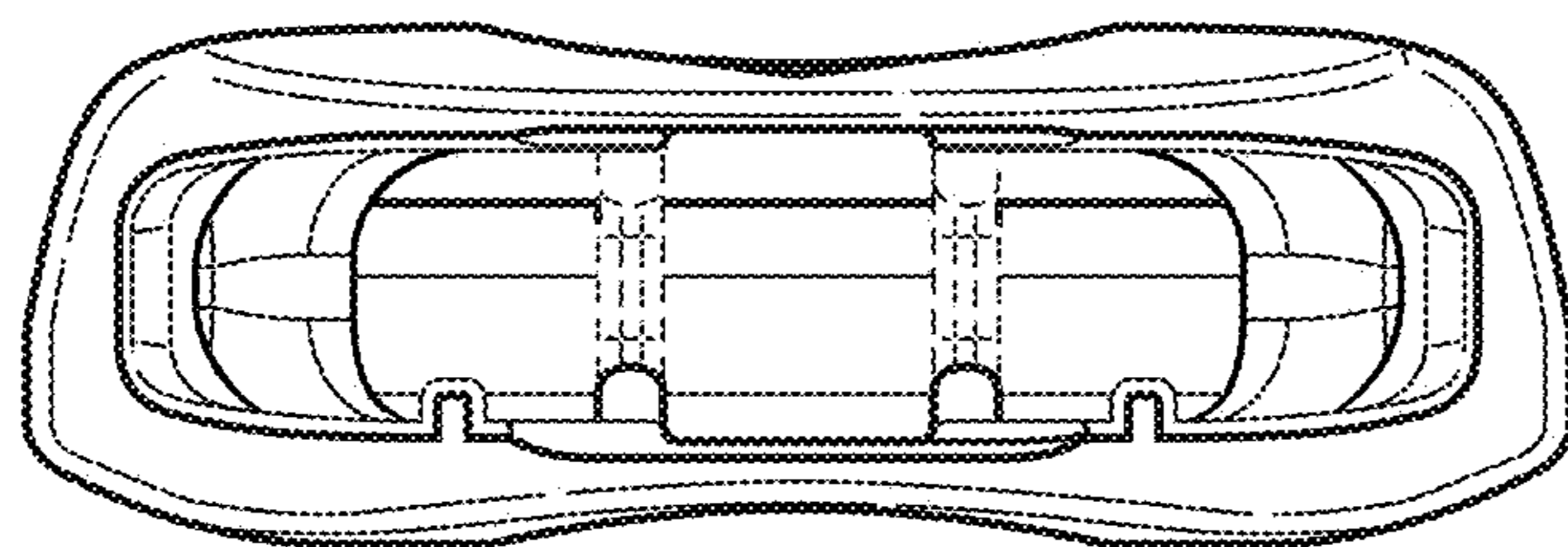


FIG. 7