



US00D884547S

(12) **United States Design Patent**
Sadamatsu

(10) **Patent No.:** **US D884,547 S**

(45) **Date of Patent:** **** May 19, 2020**

(54) **GEM**

(71) Applicant: **SADAMATSU Company Limited,**
Tokyo (JP)

(72) Inventor: **Takaya Sadamatsu,** Nagasaki (JP)

(73) Assignee: **Festaria Holdings Co., Ltd.,** Tokyo
(JP)

(**) Term: **15 Years**

(21) Appl. No.: **29/635,428**

(22) Filed: **Jan. 31, 2018**

(30) **Foreign Application Priority Data**

Sep. 21, 2017 (JP) 2017-020568

(51) **LOC (12) Cl.** **11-01**

(52) **U.S. Cl.**
USPC **D11/90**

(58) **Field of Classification Search**
USPC D11/1, 2, 16, 26-29, 34, 35, 36, 56,
D11/89-92, 103

CPC A44C 17/00; A44C 17/001; A44C 17/002;
A44C 17/003; A44C 17/005; A44C
17/006; A44C 17/007; A44C 17/008

See application file for complete search history.

(56) **References Cited**

U.S. PATENT DOCUMENTS

D369,758 S * 5/1996 Remidio D11/90
D469,716 S * 2/2003 Nakayama D11/90
D481,327 S * 10/2003 Ho D11/90
D511,992 S * 11/2005 Amiel D11/90
D513,393 S * 1/2006 Voorn D11/90

D550,116 S * 9/2007 Torgeman D11/90
D650,305 S * 12/2011 Webb D11/90
D814,339 S * 4/2018 Dholakiya D11/90
2016/0249714 A1 * 9/2016 Loinger A44C 17/001
63/27

FOREIGN PATENT DOCUMENTS

JP 1432632 1/2012

OTHER PUBLICATIONS

Wish upon a Star Diamond (available online) retrieved from the internet Jan. 10, 2019 from URL: <https://i0.wp.com/re-how.net/wp-content/uploads/2019/10/d17694-62-169190-0.jpg?resize=650%2C413&ssl=1>.*

Office Action dated Mar. 20, 2018 from related JP 2017-020568 filed Sep. 21, 2017 with English translation.

Decision of Final Rejection dated Jun. 19, 2018 from related JP 2017-020568 filed Sep. 21, 2017 with English translation.

* cited by examiner

Primary Examiner — Kevin K Rudzinski

Assistant Examiner — Richard Kearney

(74) *Attorney, Agent, or Firm* — Jones Day

(57) **CLAIM**

The ornamental design for a gem, as shown and described.

DESCRIPTION

FIG. 1 is a front view of the gem according to my new design.

FIG. 2 is a rear view thereof.

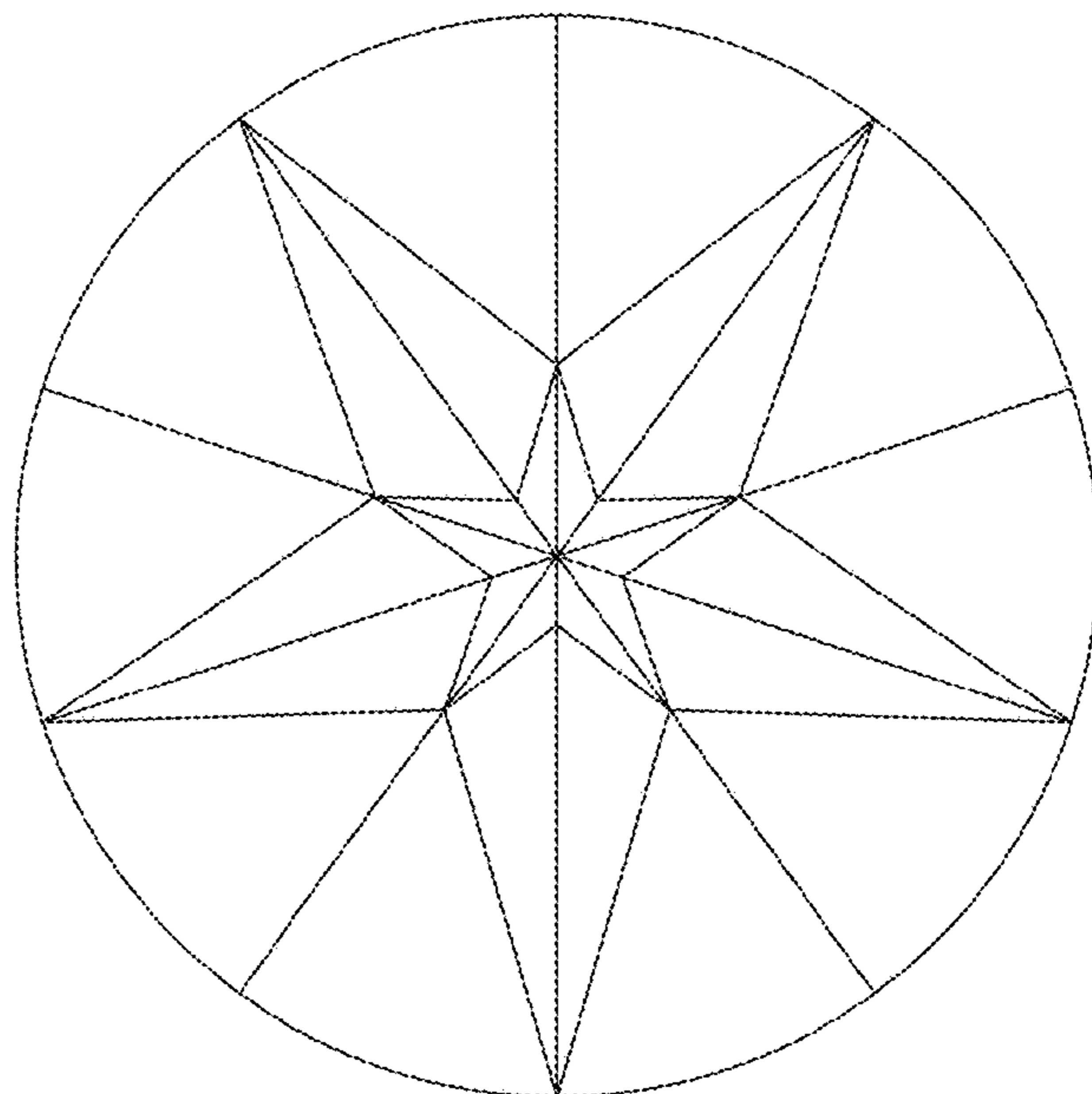
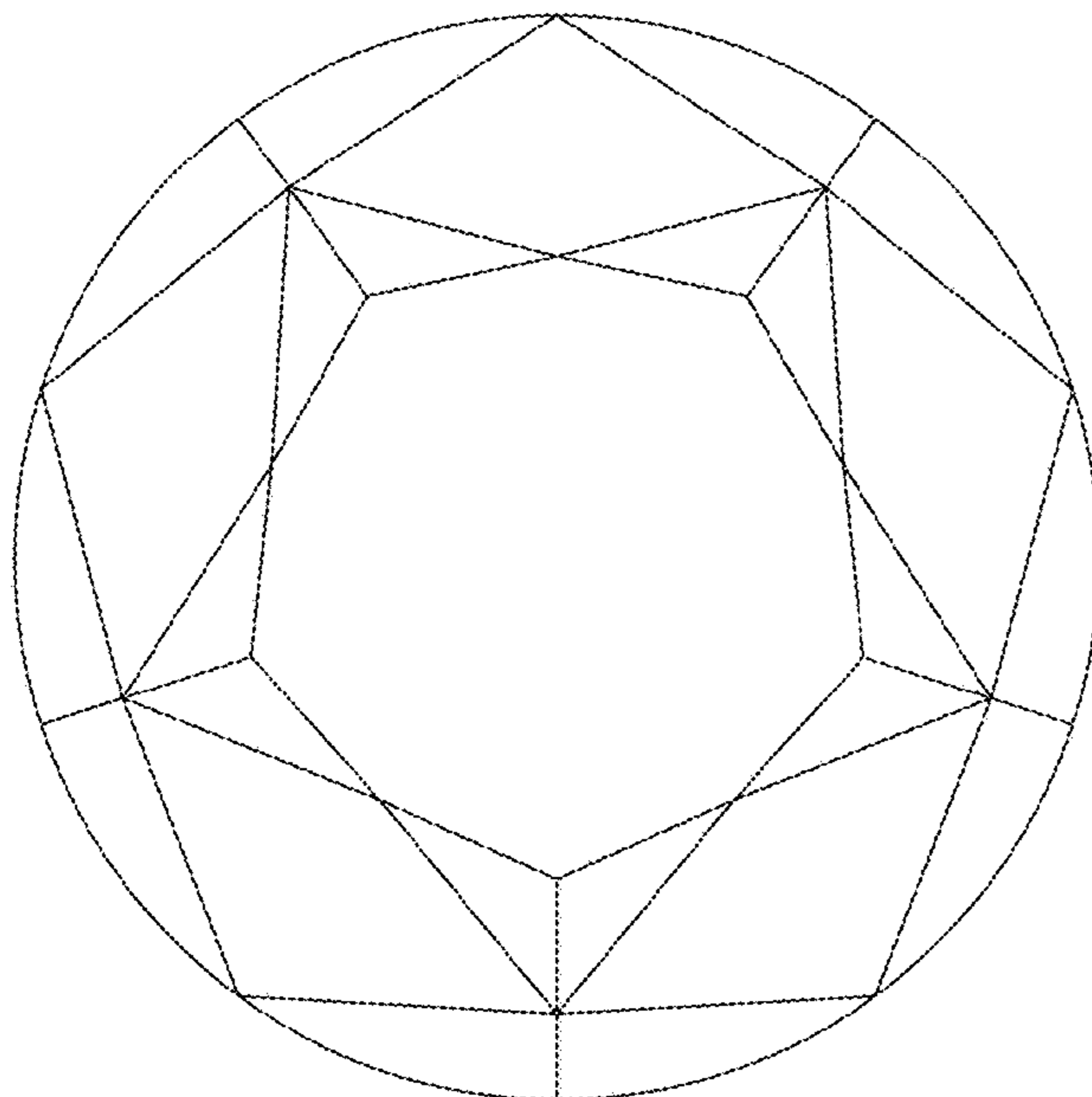
FIG. 3 is a top view thereof.

FIG. 4 is a bottom view thereof.

FIG. 5 is a left side view thereof; and,

FIG. 6 is a right side view thereof.

1 Claim, 3 Drawing Sheets



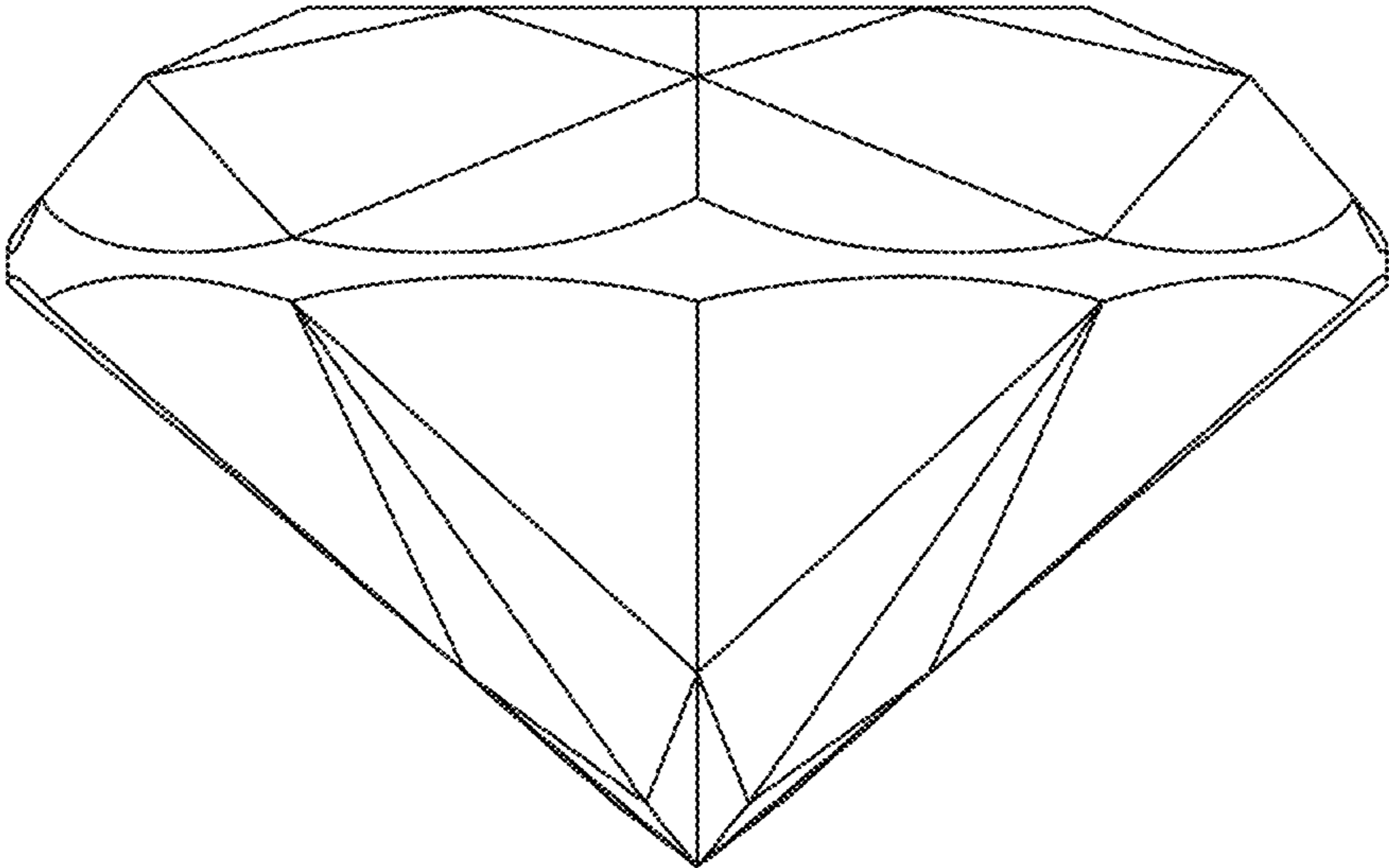


FIG. 1

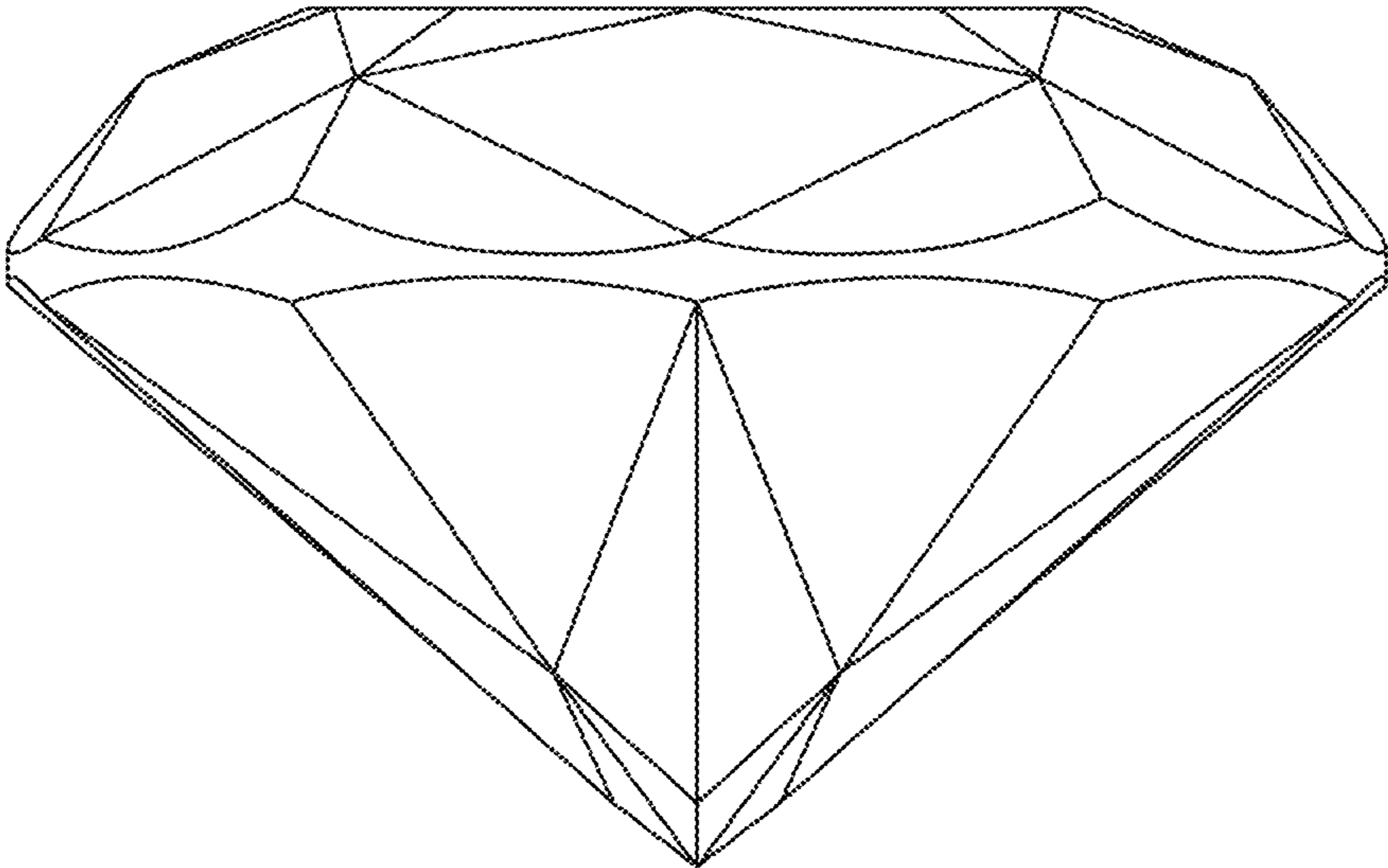


FIG. 2

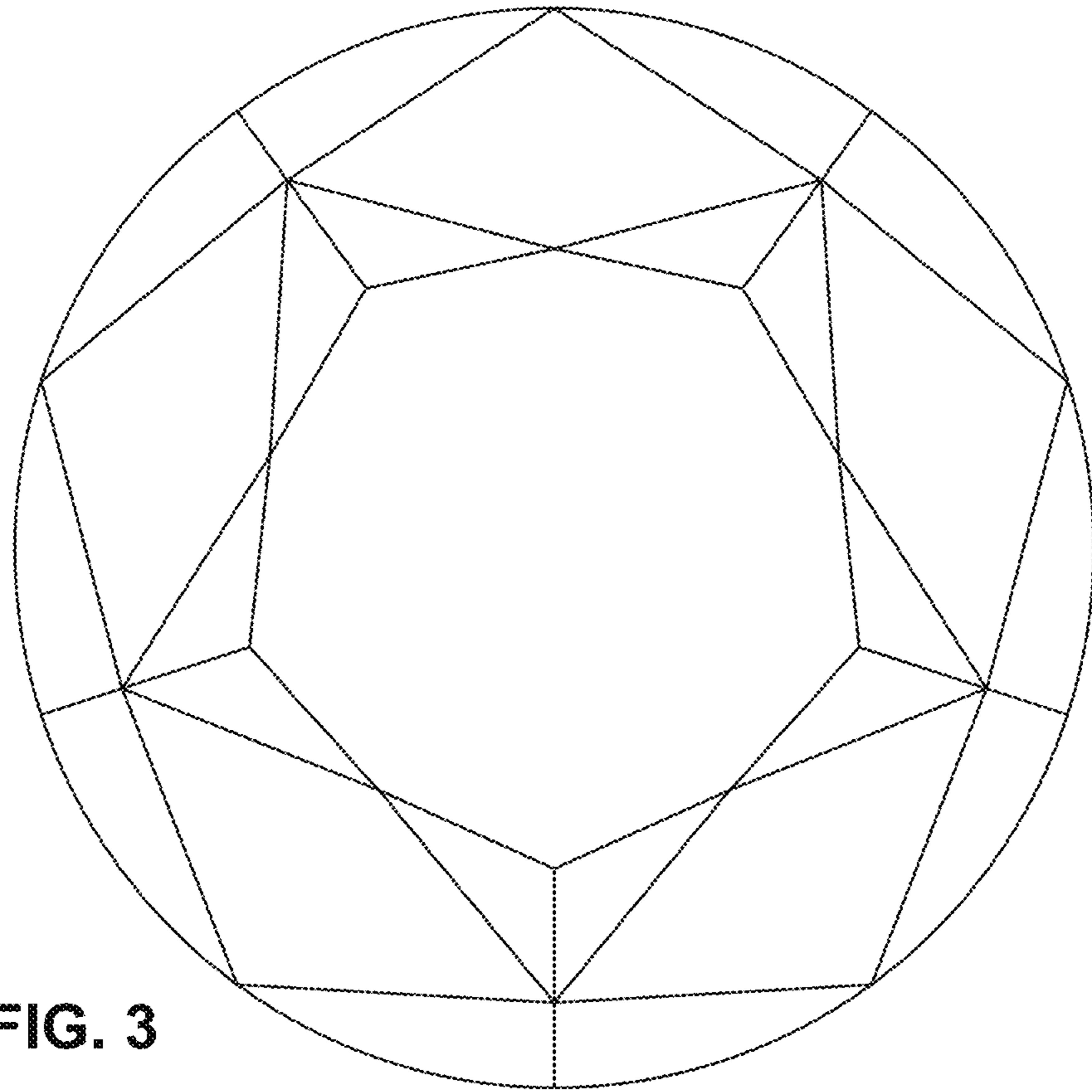


FIG. 3

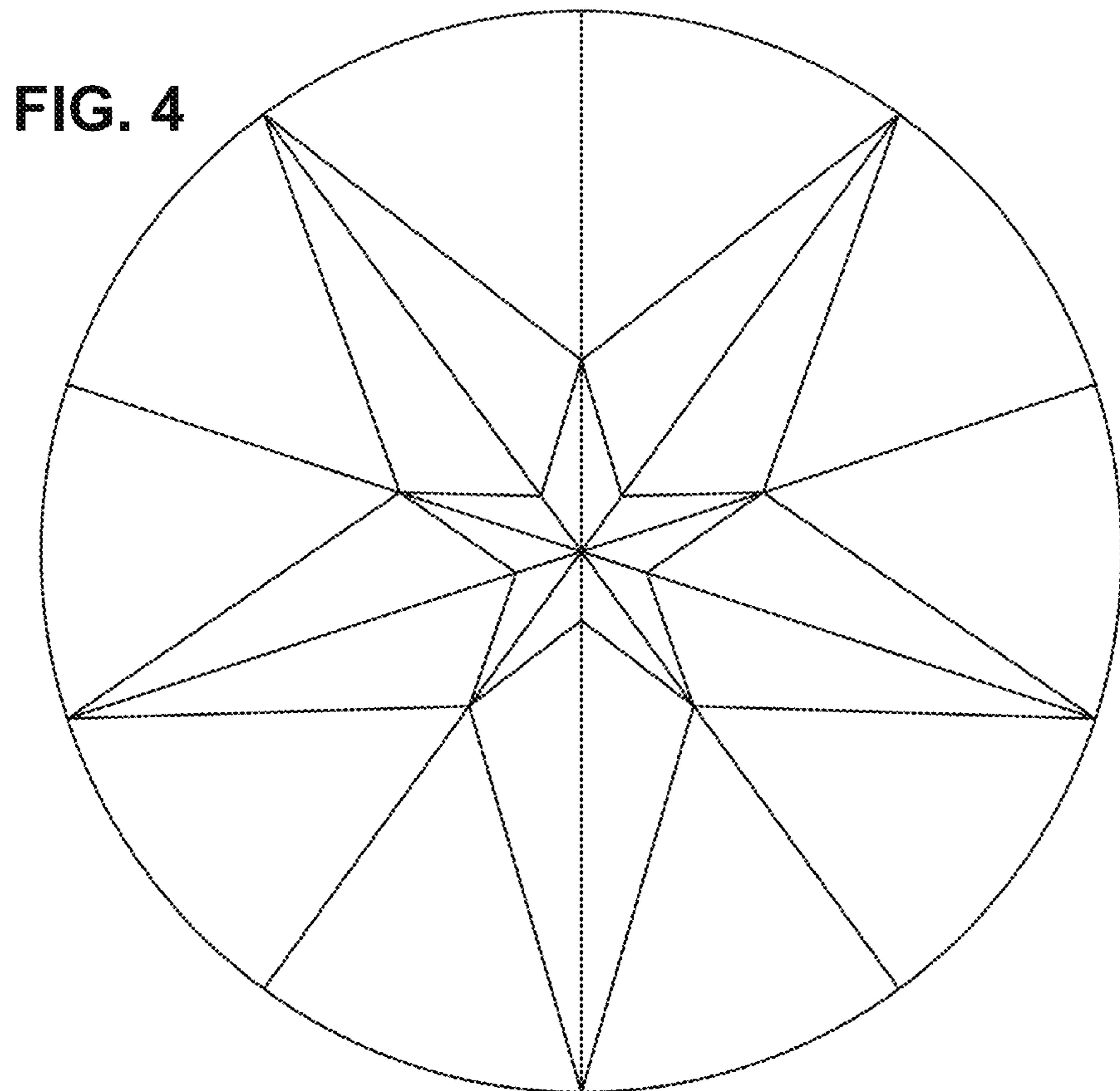


FIG. 4

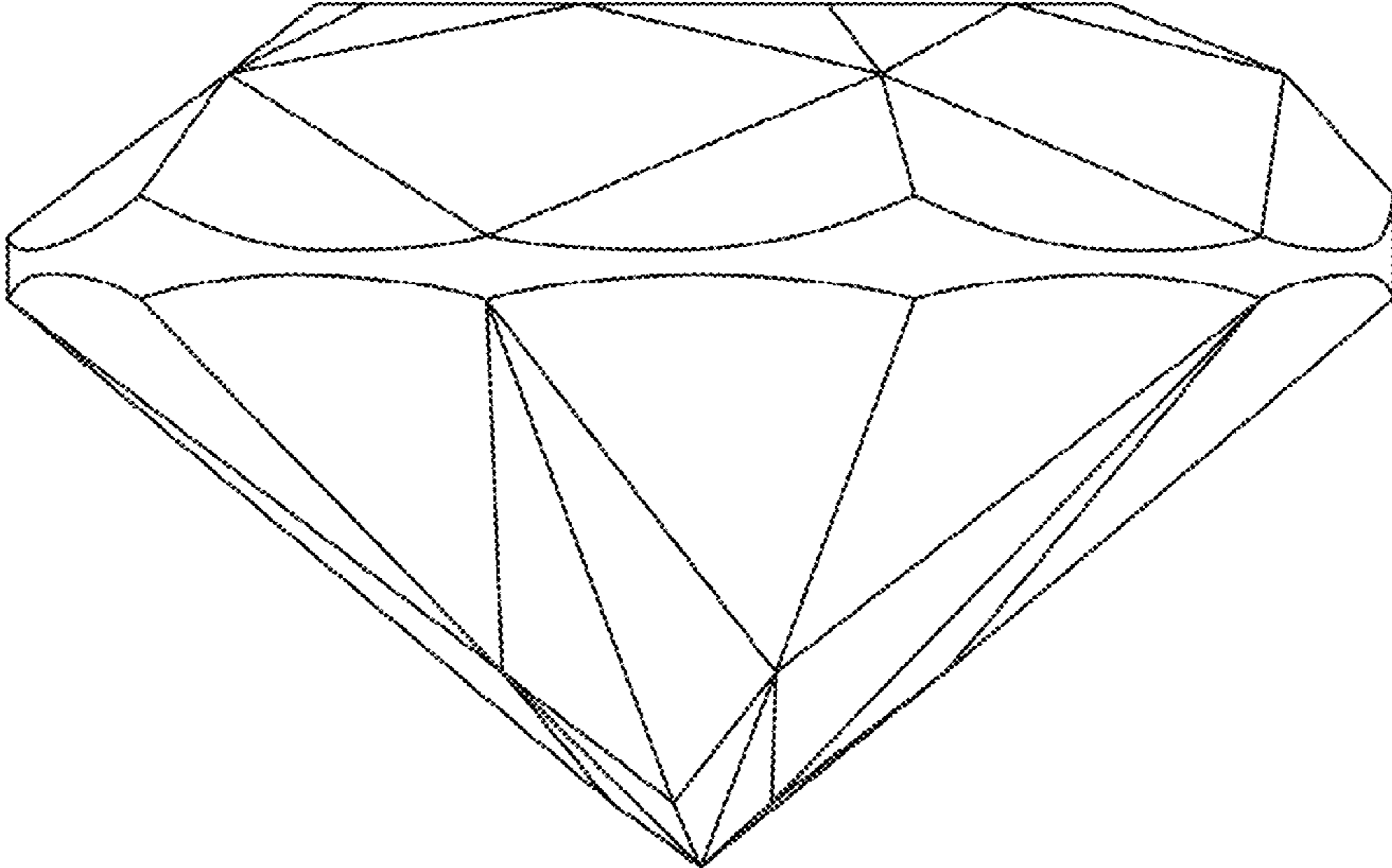


FIG. 5

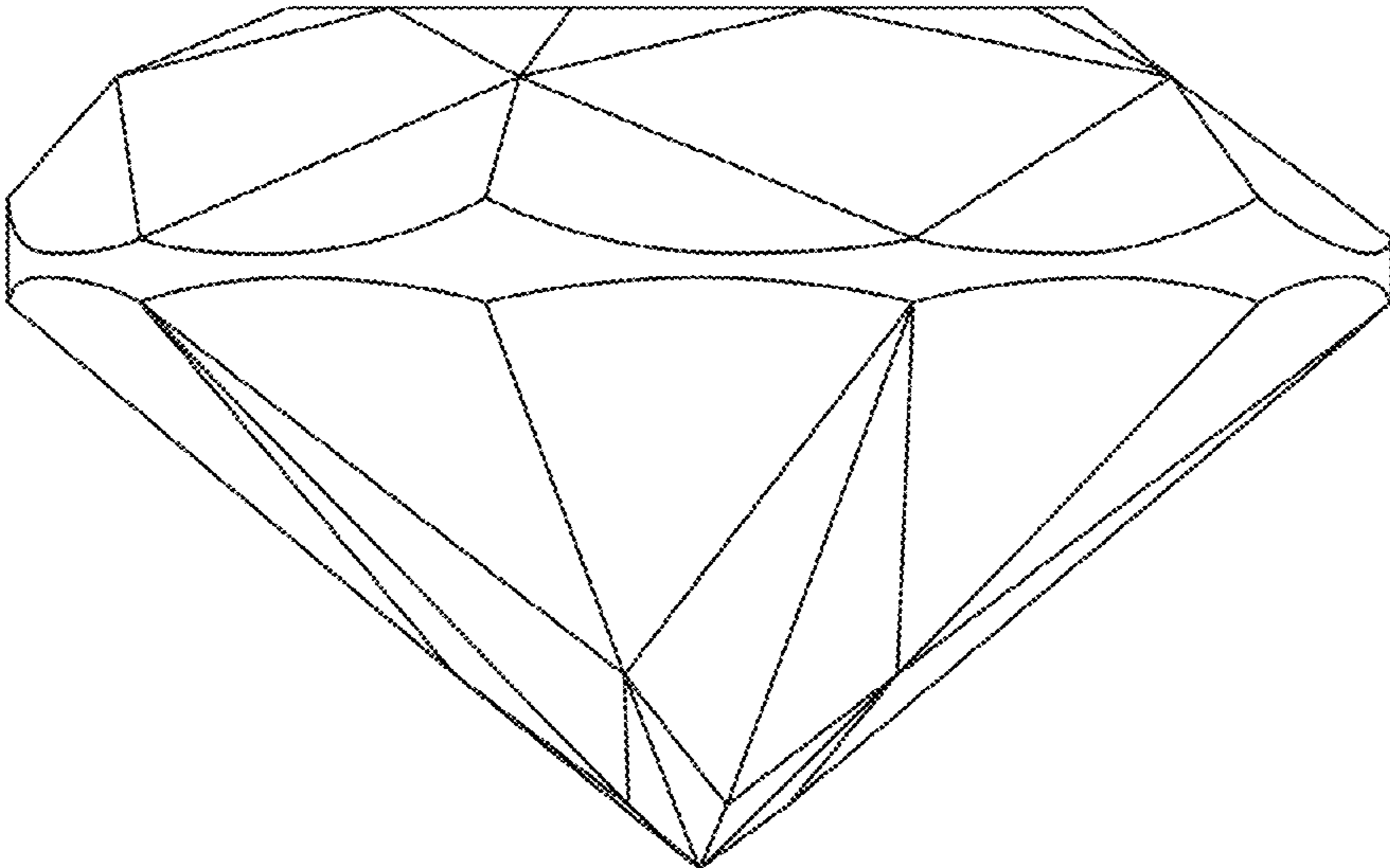


FIG. 6