



US00D884546S

(12) **United States Design Patent**  
**Tamura et al.**

(10) **Patent No.:** **US D884,546 S**

(45) **Date of Patent:** **\*\* May 19, 2020**

- (54) **PIERCED EARRING CATCH**
- (71) Applicant: **KOHSAI CO., LTD.**, Yamanashi (JP)
- (72) Inventors: **Takeya Tamura**, Yamanashi (JP);  
**Toshio Minai**, Yamanashi (JP)
- (73) Assignee: **Kohsai Co., Ltd.**, Yamanashi (JP)
- (\*\*) Term: **15 Years**
- (21) Appl. No.: **29/655,662**
- (22) Filed: **Jul. 5, 2018**
- (30) **Foreign Application Priority Data**  
Jan. 22, 2018 (JP) ..... 2018-002473
- (51) **LOC (12) Cl.** ..... **11-01**
- (52) **U.S. Cl.**  
USPC ..... **D11/88**
- (58) **Field of Classification Search**  
USPC ..... D11/1, 40, 41, 42, 47, 86, 87, 88  
CPC ..... A44C 7/00; A44C 7/001; A44C 7/003  
See application file for complete search history.

- 4,580,417 A \* 4/1986 Sardelli ..... A44C 7/003  
24/705
- 5,140,840 A \* 8/1992 Miceli ..... A44C 7/003  
362/104
- 5,170,641 A \* 12/1992 DiDomenico ..... A44C 7/003  
63/1.17
- D363,683 S \* 10/1995 Spurgeon ..... D11/88
- 5,669,929 A \* 9/1997 Reil ..... A44C 7/001  
206/471
- D627,253 S \* 11/2010 Meneau ..... D11/88
- D716,685 S \* 11/2014 Oh ..... A44C 7/003  
D11/88

\* cited by examiner

*Primary Examiner* — Zenia I Bennett

(74) *Attorney, Agent, or Firm* — Cozen O'Connor

(57) **CLAIM**

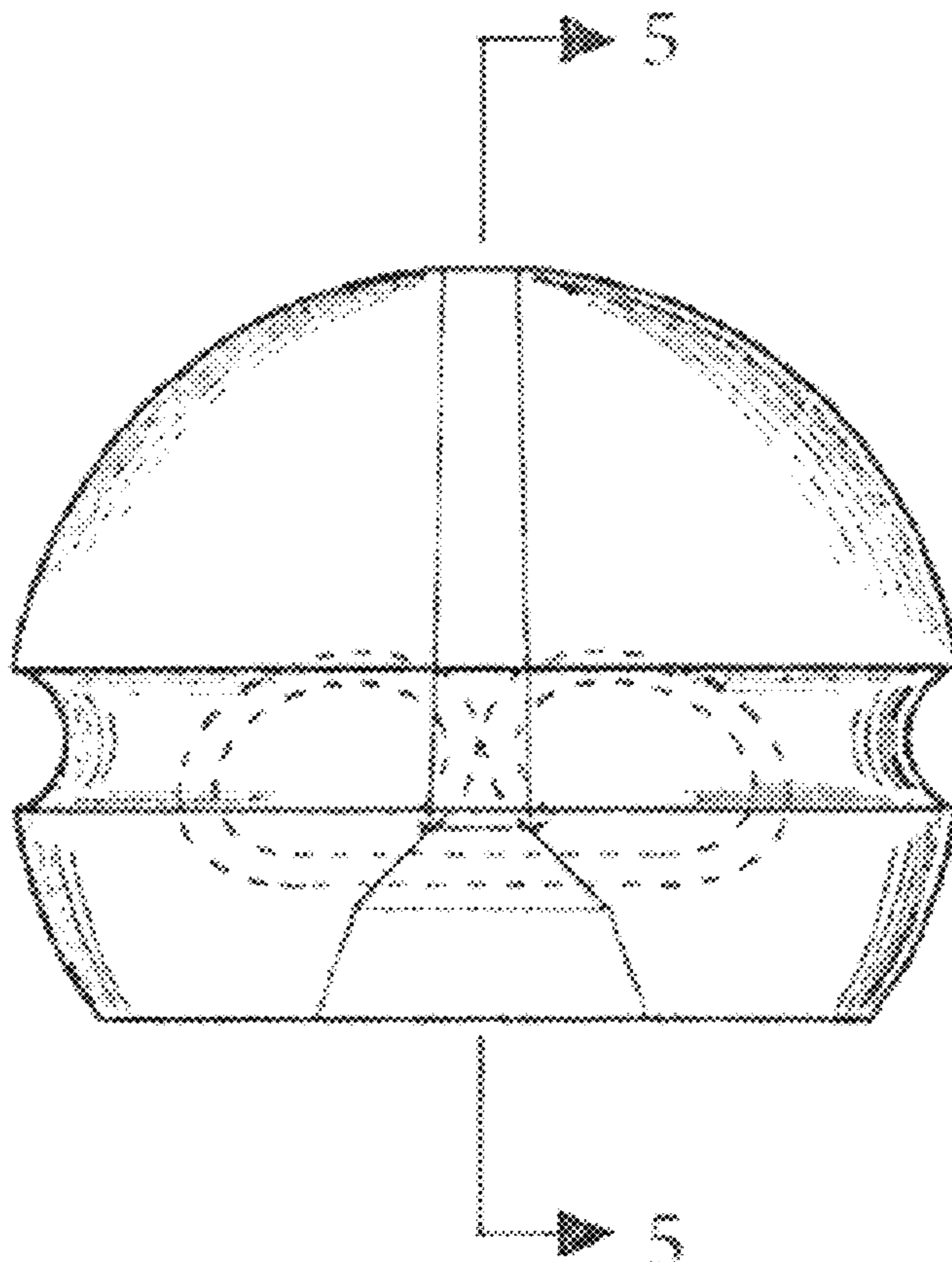
The ornamental design for a pierced earring catch, as shown and described.

**DESCRIPTION**

FIG. 1 is a front view of a pierced earring catch;  
FIG. 2 is a right side view thereof;  
FIG. 3 is a top plan view thereof;  
FIG. 4 is a bottom plan view thereof; and,  
FIG. 5 is a cross sectional view along the line 5-5 of FIG. 1.  
The broken lines in the drawings form no part of the claimed subject matter.

**1 Claim, 5 Drawing Sheets**

- (56) **References Cited**  
U.S. PATENT DOCUMENTS  
D248,458 S \* 7/1978 Gatof ..... D11/88  
D259,110 S \* 5/1981 Russell ..... D11/88



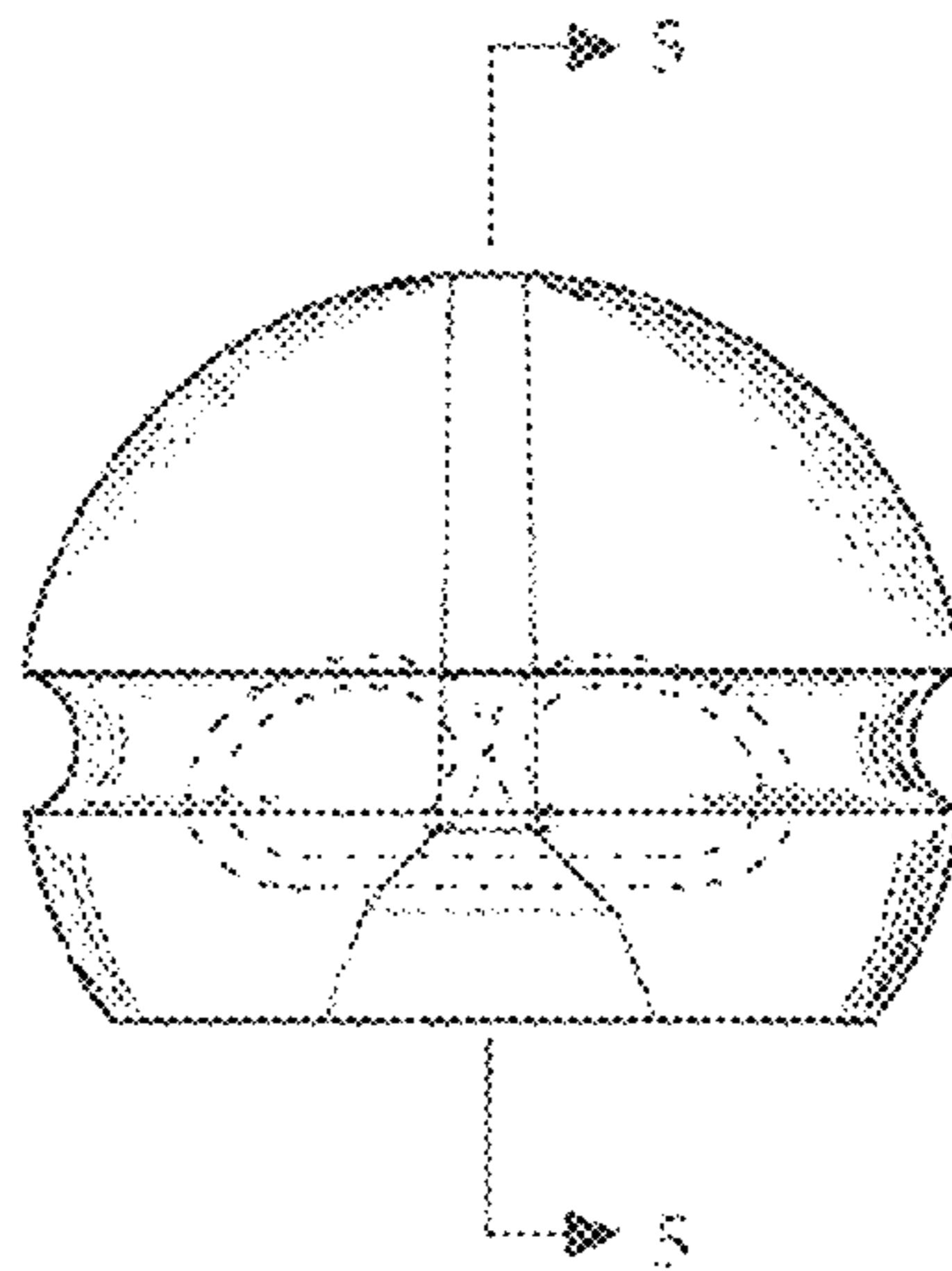


Fig. 1

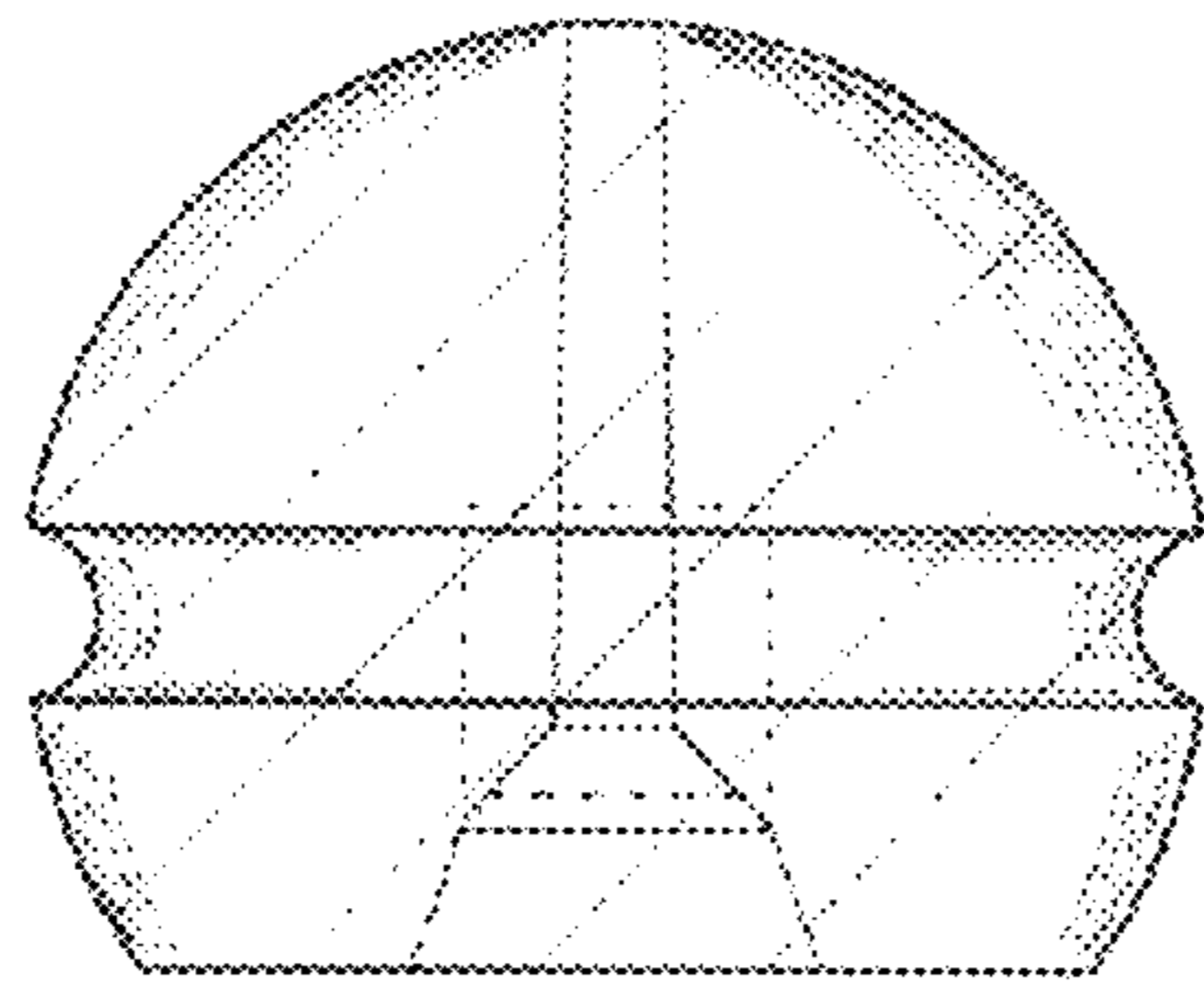


Fig. 2

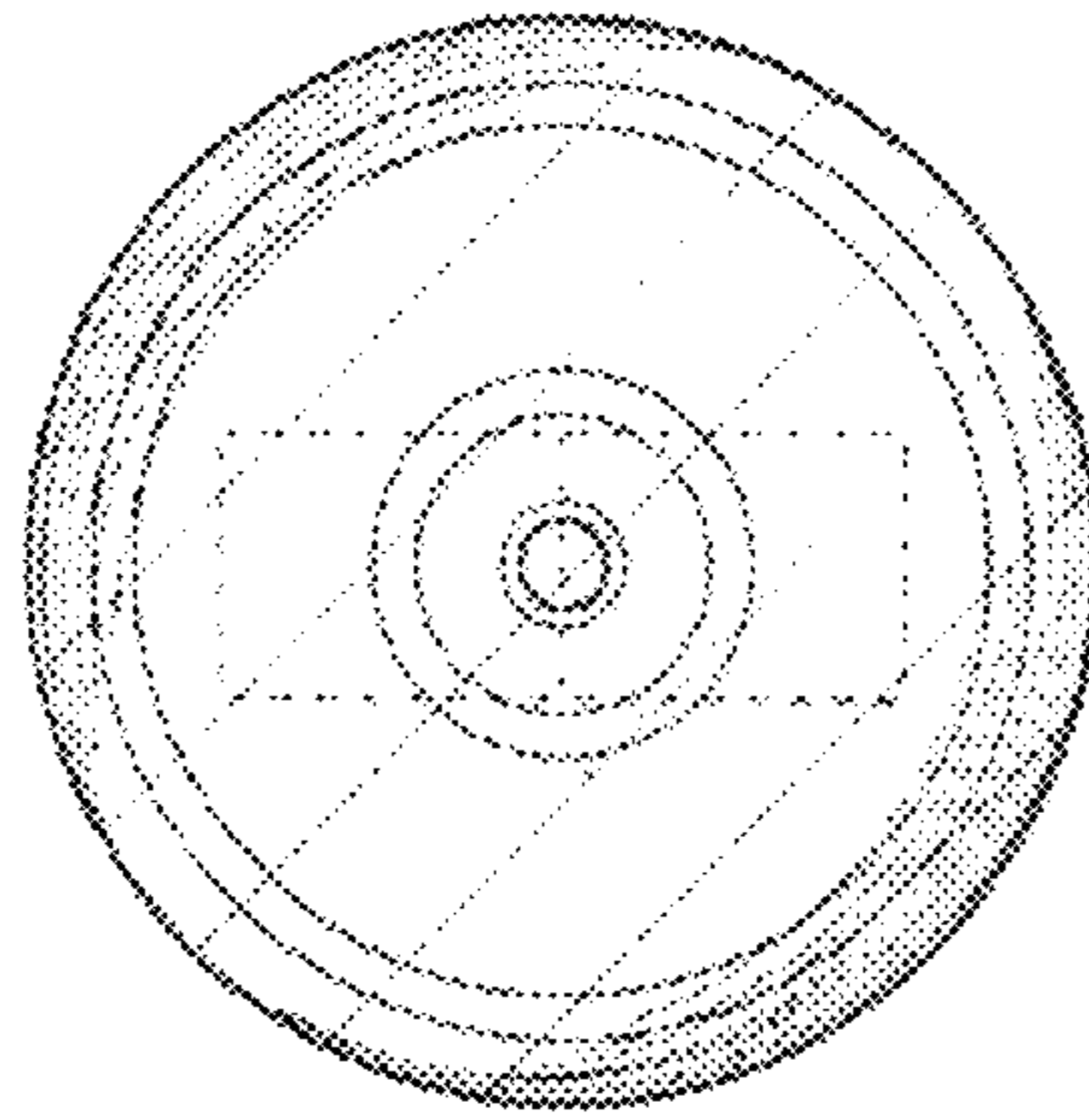


Fig. 3

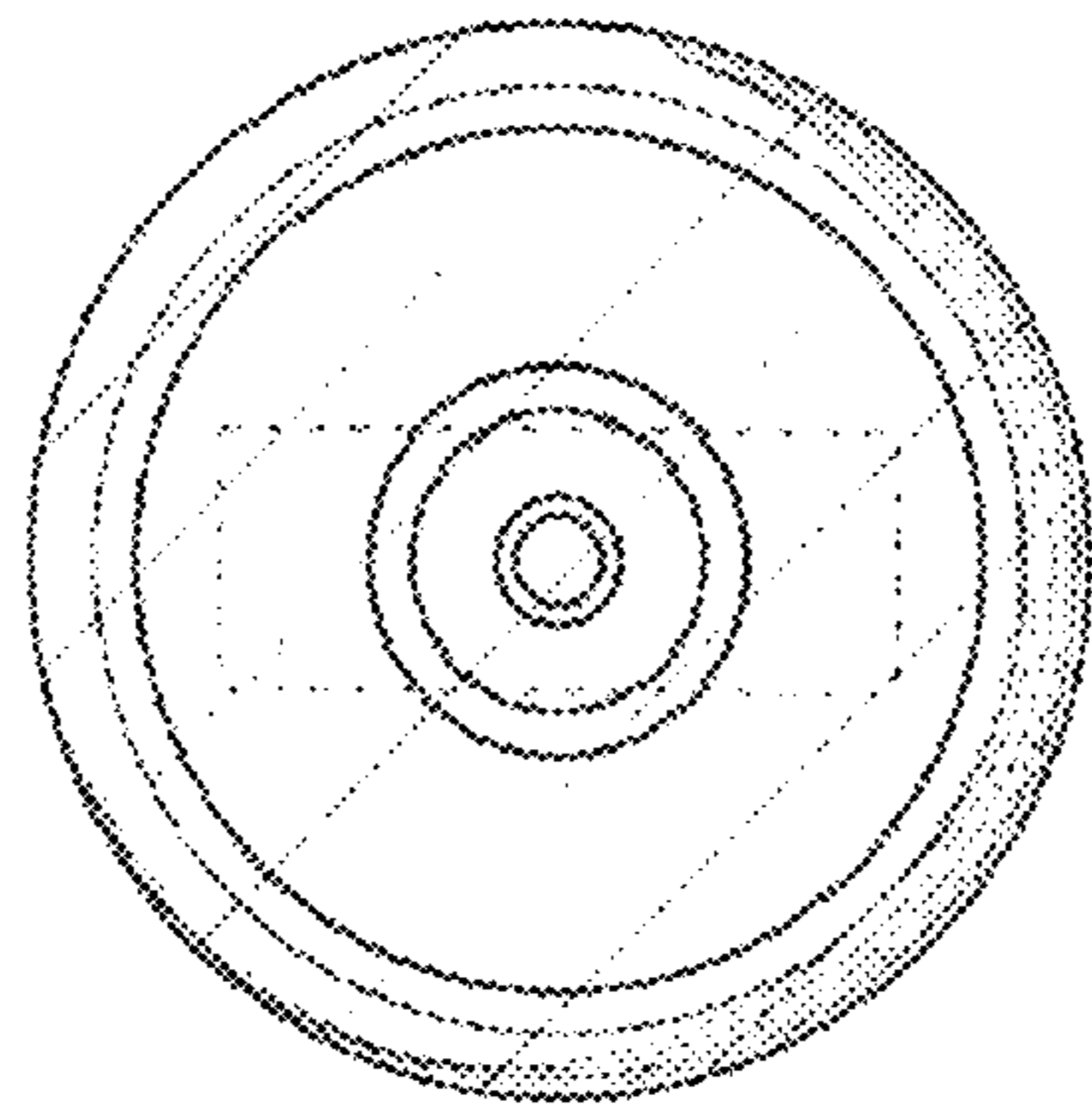


Fig. 4

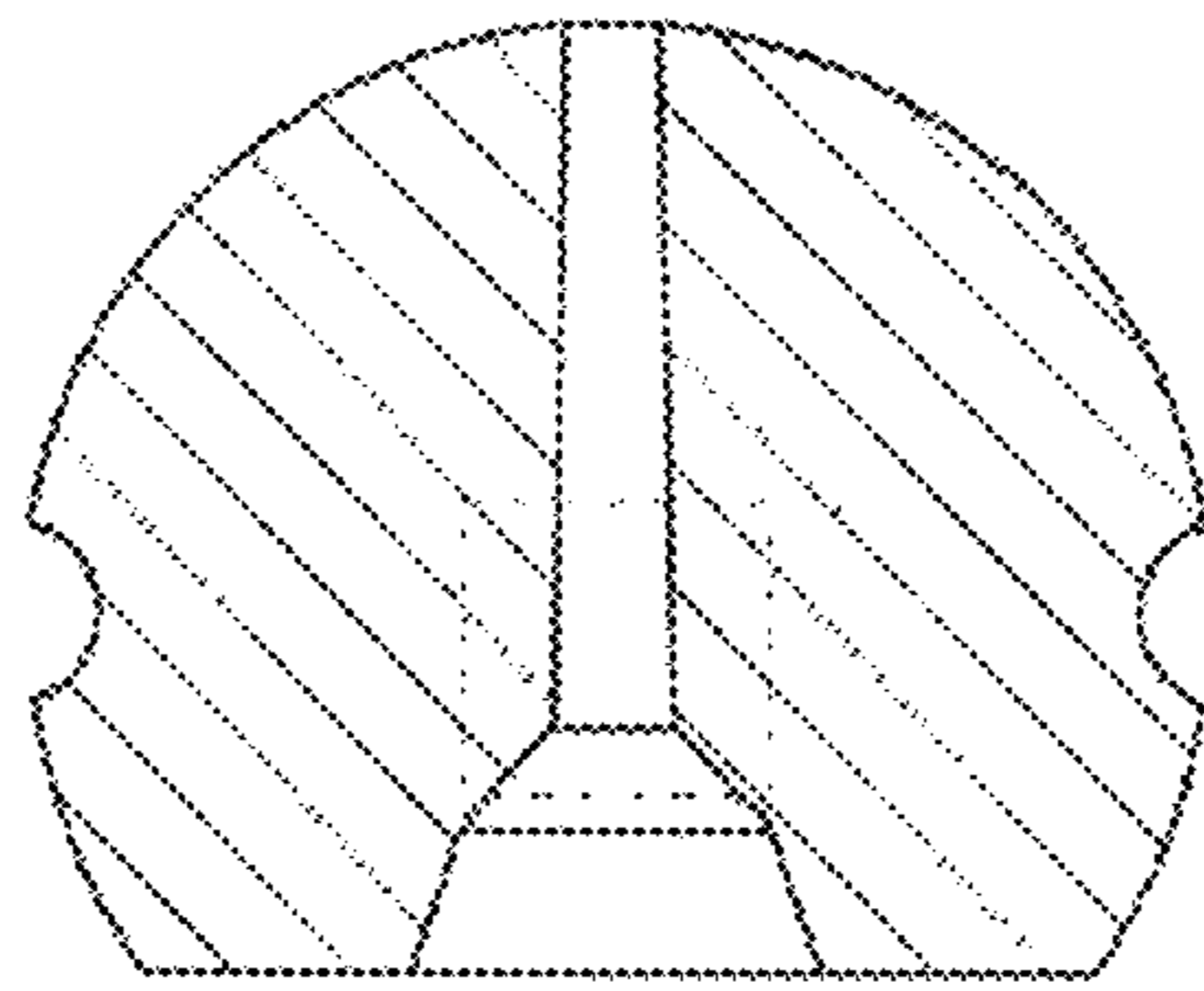


Fig. 5