



US00D884534S

(12) **United States Design Patent** (10) **Patent No.:** **US D884,534 S**
Yokino et al. (45) **Date of Patent:** **** May 19, 2020**

(54) **SPECTROMETER HAVING A FLEXIBLE PRINTED CIRCUIT**

FOREIGN PATENT DOCUMENTS

(71) Applicant: **HAMAMATSU PHOTONICS K.K.**,
Hamamatsu-shi, Shizuoka (JP)

TW 103133 2/2005
TW 136549 8/2010

(72) Inventors: **Takafumi Yokino**, Hamamatsu (JP);
Katsuhiko Kato, Hamamatsu (JP); **Yuji Mori**,
Hamamatsu (JP); **Norihiro Iwasaki**, Hamamatsu (JP);
Tomonori Tsunashima, Hamamatsu (JP)

Primary Examiner — Antoine Duval Davis
(74) *Attorney, Agent, or Firm* — Faegre Drinker Biddle &
Reath LLP

(73) Assignee: **HAMAMATSU PHOTONICS K.K.**,
Hamamatsu-shi, Shizuoka (JP)

(57) **CLAIM**

The ornamental design for a spectrometer having a flexible printed circuit, as shown and described.

(**) Term: **15 Years**

DESCRIPTION

(21) Appl. No.: **29/675,116**

FIG. 1 is a top perspective view of a first embodiment of a spectrometer having a flexible printed circuit showing our new design;

(22) Filed: **Dec. 28, 2018**

FIG. 2 is a bottom perspective view thereof;

(30) **Foreign Application Priority Data**

Jun. 29, 2018 (JP) 2018-014474

FIG. 3 is a front view thereof;

(51) **LOC (12) Cl.** **10-04**

FIG. 4 is a rear view thereof;

(52) **U.S. Cl.**
USPC **D10/103**

FIG. 5 is a top plan view thereof;

(58) **Field of Classification Search**

USPC D10/81, 103; D14/437, 438

FIG. 6 is a bottom view thereof;

CPC G01J 3/00; G01J 3/0202; G01J 3/0205;

FIG. 7 is a right side view thereof;

G01J 3/0208; G01J 3/021; G01J 3/0213;

FIG. 8 is a left side view thereof;

G01J 3/0216; G01J 3/0218; G01J 3/0221;

FIG. 9 is a top perspective view of a second embodiment of a spectrometer having a flexible printed circuit showing our new design;

(Continued)

FIG. 10 is a bottom perspective view thereof;

(56) **References Cited**

U.S. PATENT DOCUMENTS

6,867,377 B2 * 3/2005 Anderson G02B 6/266
174/254

FIG. 11 is a front view thereof;

D603,280 S * 11/2009 Shibayama G02B 6/266
D10/81

FIG. 12 is a rear view thereof;

FIG. 13 is a top plan view thereof;

FIG. 14 is a bottom view thereof;

FIG. 15 is a right side view thereof; and,

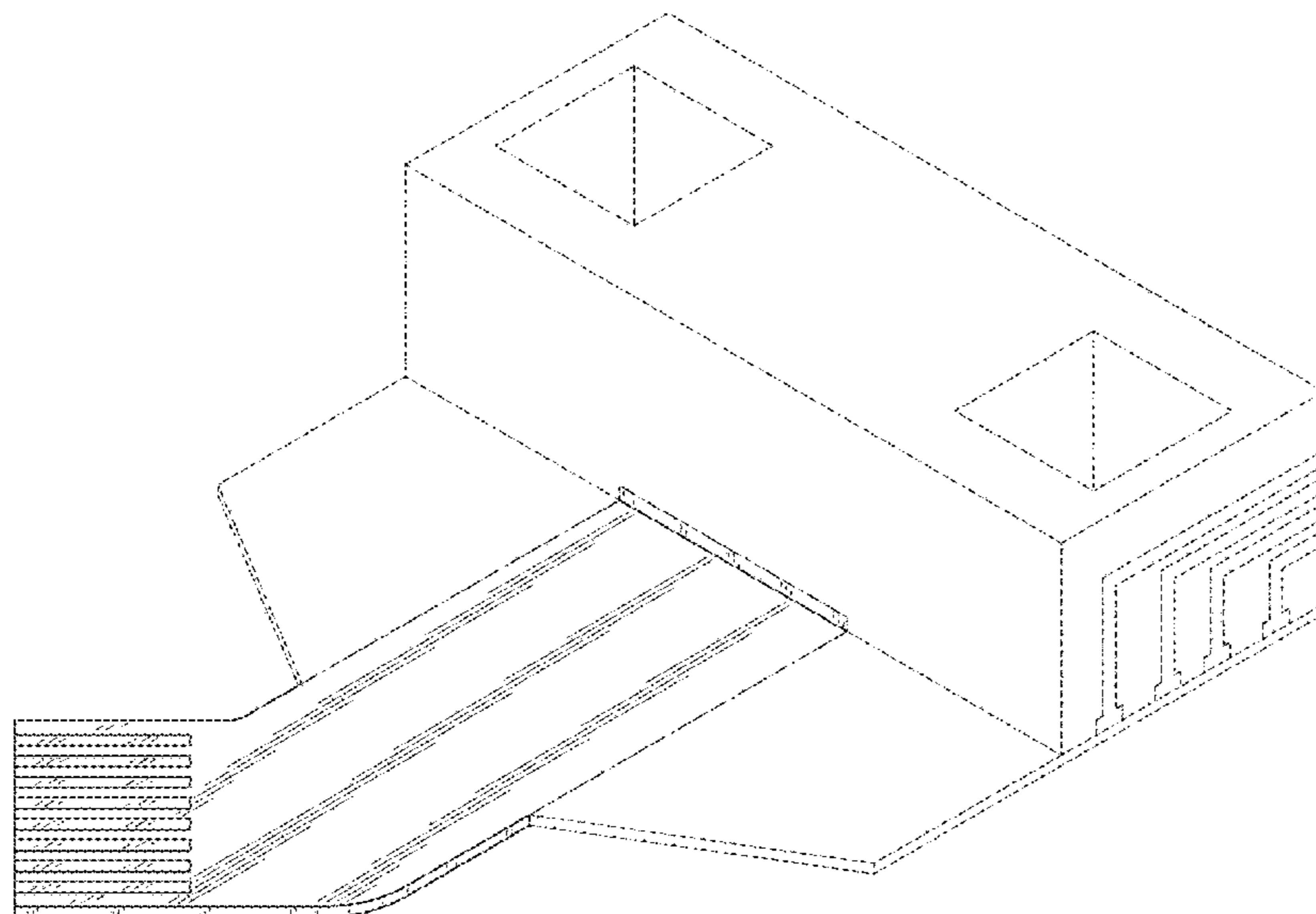
FIG. 16 is a left side view thereof.

The features shown in broken lines depict environmental subject matter only and form no part of the claimed design.

The alternate long and short dash lines are merely the boundary lines between the claimed parts and the non-claimed parts.

(Continued)

1 Claim, 16 Drawing Sheets



(58) **Field of Classification Search**

CPC G01J 3/0224; G01J 3/0227; G01J 3/0229;
 G01J 3/0232; G01J 3/0235; G01J 3/0237;
 G01J 3/024; G01J 3/0243; G01J 3/0245;
 G01J 3/0248; G01J 3/0251; G01J 3/0254;
 G01J 3/0256; G01J 3/0259; G01J 3/0262;
 G01J 3/0264; G01J 3/0267; G01J 3/027;
 G01J 3/0272; G01J 3/0275; G01J 3/0278;
 G01J 3/0283; G01J 3/0286; G01J 3/0289;
 G01J 3/0291; G01J 3/0294; G01J 3/0297;
 G01J 3/04; G01J 3/06; G01J 3/08; G01J
 3/12; G01J 3/1256; G01J 3/14; G01J
 3/16; G01J 3/18; G01J 3/1804; G01J
 3/1809; G01J 3/1833; G01J 3/1838; G01J
 3/189; G01J 3/1895; G01J 3/20; G01J
 3/22; G01J 3/24; G01J 3/26; G01J 3/28;
 G01J 3/2803; G01J 3/2823; G01J 3/2846;
 G01J 3/2889; G01J 3/30; G01J 3/32;
 G01J 3/36; G01J 3/40; G01J 3/42; G01J
 3/427; G01J 3/433; G01J 3/4338; G01J
 3/44; G01J 3/4406; G01J 3/4412; G01J
 3/443; G01J 3/447; G01J 3/45; G01J
 3/453; G01J 3/4531; G01J 3/4532; G01J
 3/4535; G01J 3/4537; G01J 3/457; G01J
 3/46; G01J 3/461; G01J 3/462; G01J
 3/463; G01J 3/465; G01J 3/50; G01J
 3/501; G01J 3/502; G01J 3/504; G01J
 3/505; G01J 3/506; G01J 3/508; G01J
 3/51; G01J 3/513; G01J 3/52; G01J
 3/522; G01J 3/524; G01J 3/526; G01J
 3/528; G01J 2003/0281; G01J 2003/042;
 G01J 2003/045; G01J 2003/047; G01J
 2003/061; G01J 2003/062; G01J
 2003/064; G01J 2003/065; G01J
 2003/066; G01J 2003/067; G01J
 2003/068; G01J 2003/069; G01J
 2003/1204; G01J 2003/1208; G01J
 2003/1213; G01J 2003/1217; G01J
 2003/1221; G01J 2003/1226; G01J
 2003/123; G01J 2003/1234; G01J
 2003/1239; G01J 2003/1243; G01J
 2003/1247; G01J 2003/1252; G01J
 2003/126; G01J 2003/1265; G01J
 2003/1269; G01J 2003/1273; G01J

2003/1278; G01J 2003/1282; G01J
 2003/1286; G01J 2003/1291; G01J
 2003/1295; G01J 2003/145; G01J
 2003/1814; G01J 2003/1819; G01J
 2003/1823; G01J 2003/1828; G01J
 2003/1842; G01J 2003/1847; G01J
 2003/1852; G01J 2003/1857; G01J
 2003/1861; G01J 2003/1866; G01J
 2003/1871; G01J 2003/1876; G01J
 2003/188; G01J 2003/1885; G01J
 2003/262; G01J 2003/26; G01J 2003/267;
 G01J 2003/2806; G01J 2003/2809; G01J
 2003/2813; G01J 2003/2816; G01J
 2003/282; G01J 2003/2826; G01J
 2003/283; G01J 2003/2833; G01J
 2003/2836; G01J 2003/284; G01J
 2003/2843; G01J 2003/285; G01J
 2003/2853; G01J 2003/2856; G01J
 2003/2859; G01J 2003/2863; G01J
 2003/2866; G01J 2003/2869; G01J
 203/2873; G01J 2003/2876; G01J
 2003/2879; G01J 2003/2883; G01J
 2003/2886; G01J 2003/2893; G01J
 2003/2896; G01J 2003/323; G01J
 2003/326; G01J 2003/421; G01J
 2003/423; G01J 2003/425; G01J
 2003/4275; G01J 2003/4332; G01J
 2003/4334; G01J 2003/4336; G01J
 2003/4418; G01J 2003/4424; G01J
 2003/4435; G01J 2003/451; G01J
 2003/452; G01J 2003/4534; G01J
 2003/4538; G01J 2003/466; G01J
 2003/467; G01J 2003/468; G01J
 2003/503; G01J 2003/507; G01J
 2003/516

See application file for complete search history.

(56)

References Cited

U.S. PATENT DOCUMENTS

D603,731 S * 11/2009 Shibayama D10/81
 D758,223 S 6/2016 Bertolotti

* cited by examiner

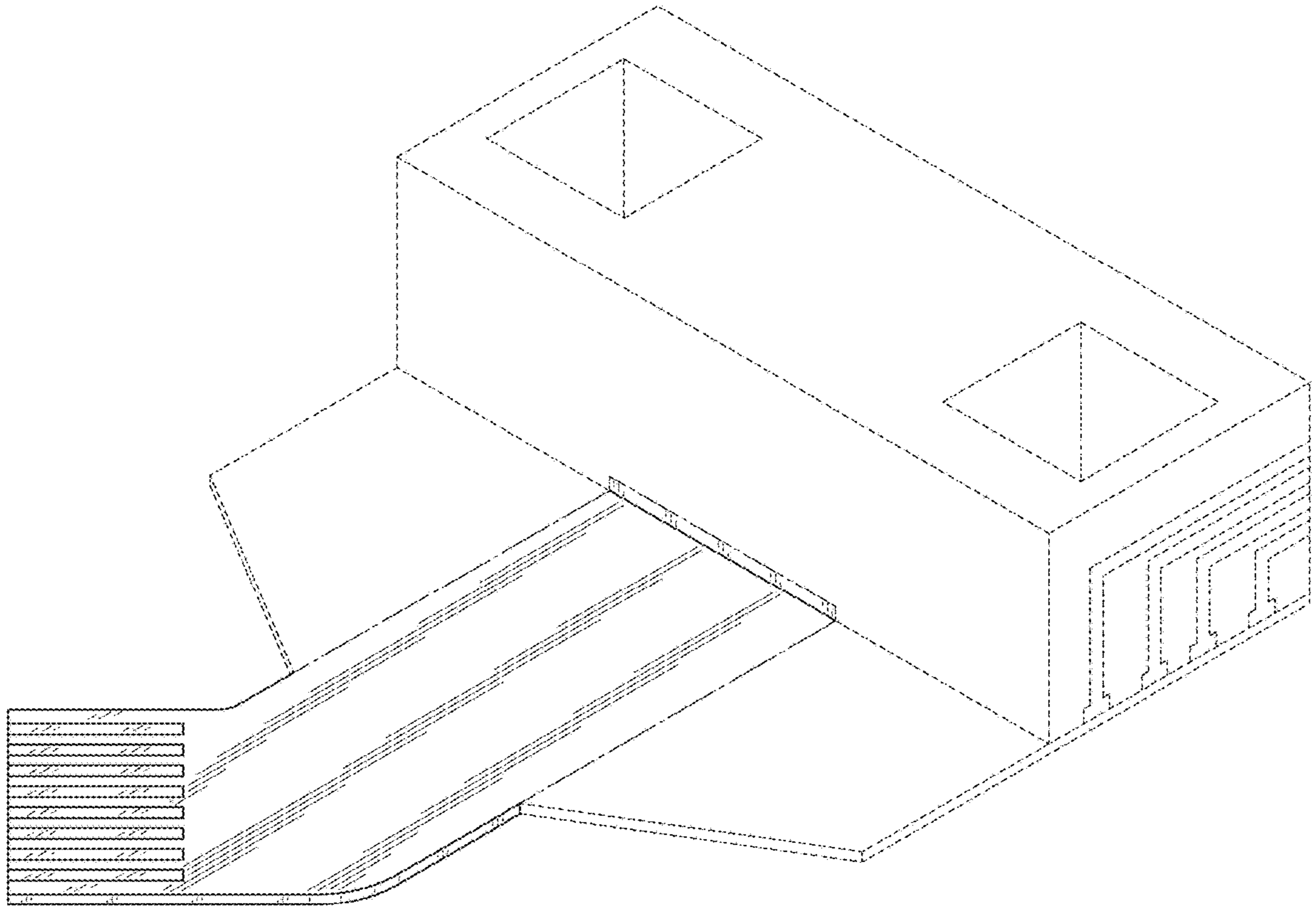


FIG. 1

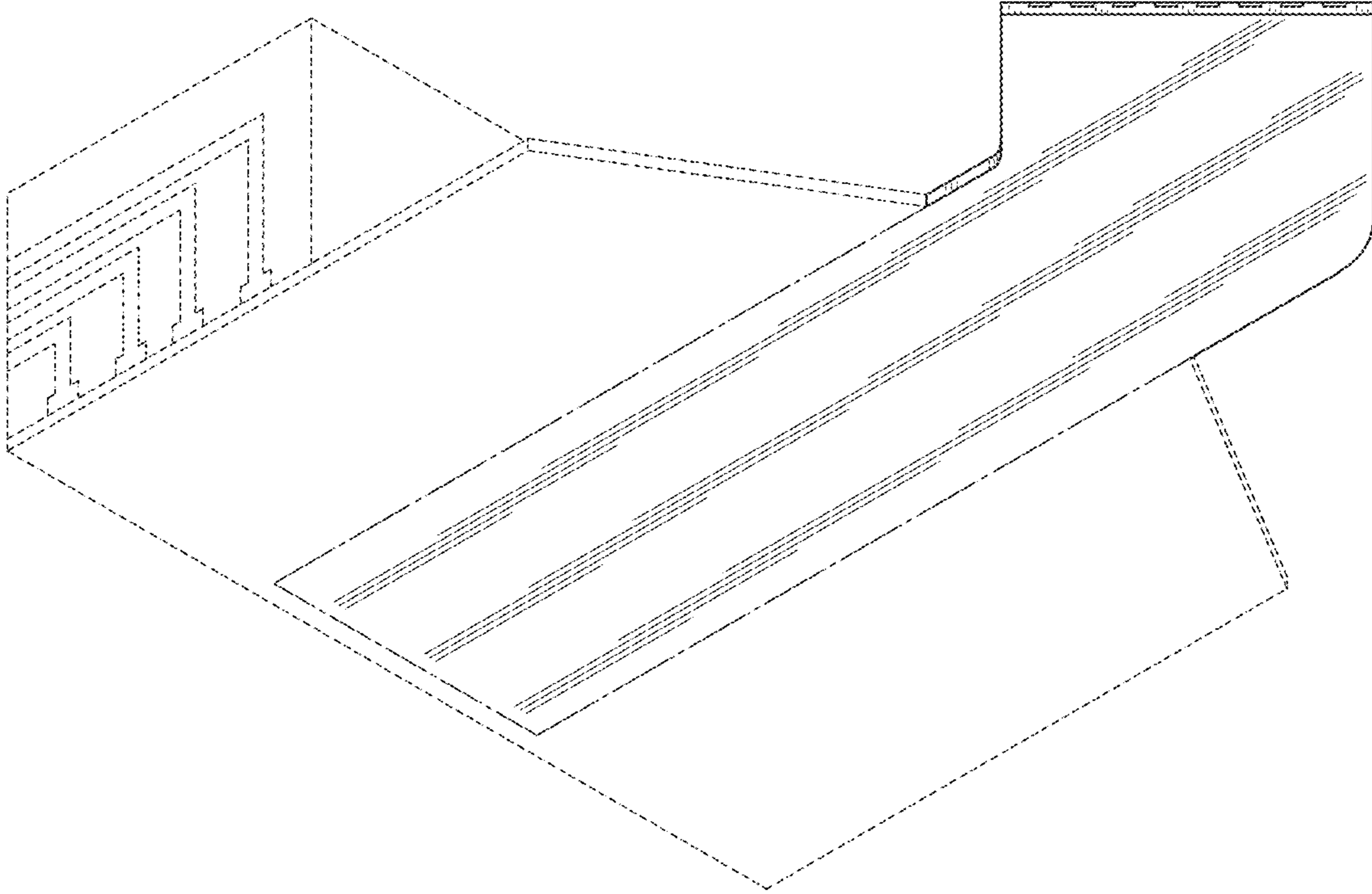


FIG. 2

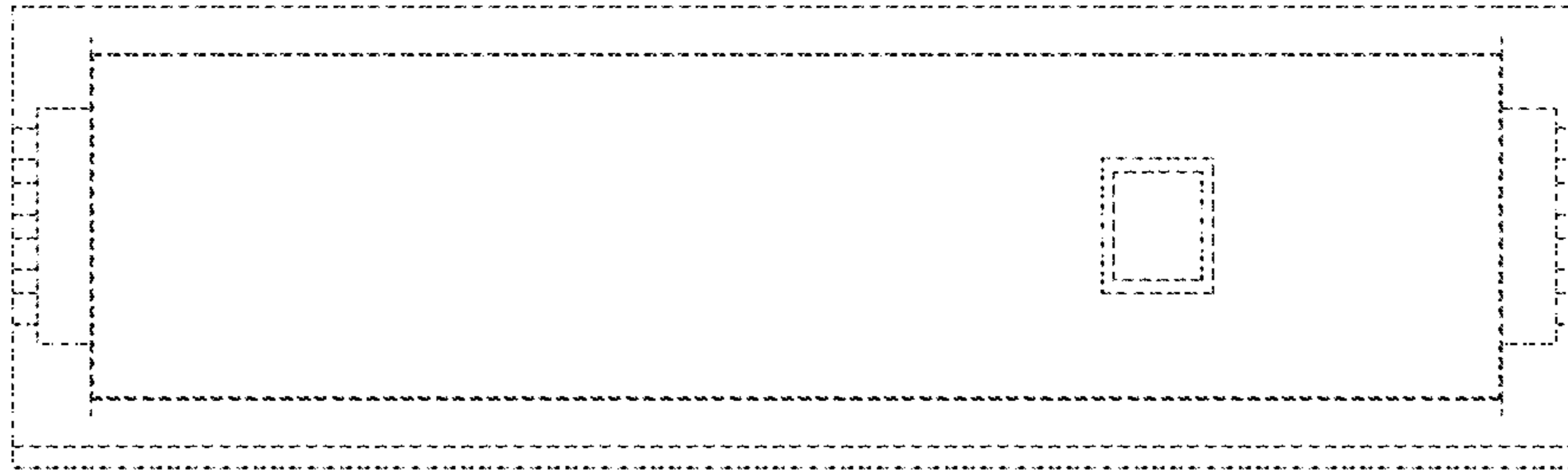


FIG. 3

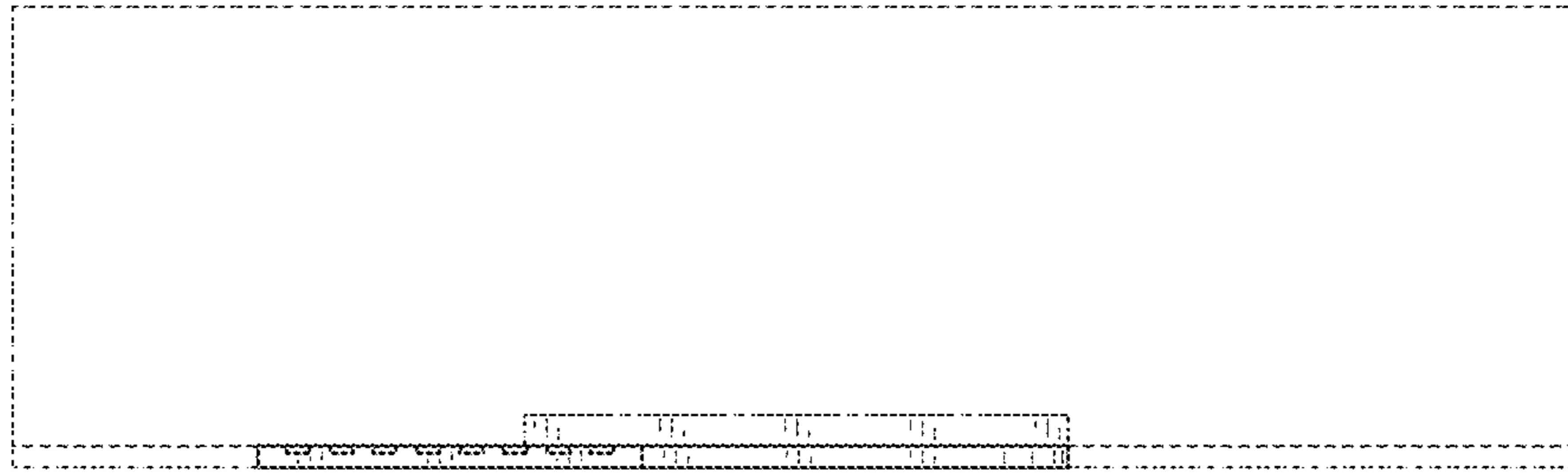


FIG. 4

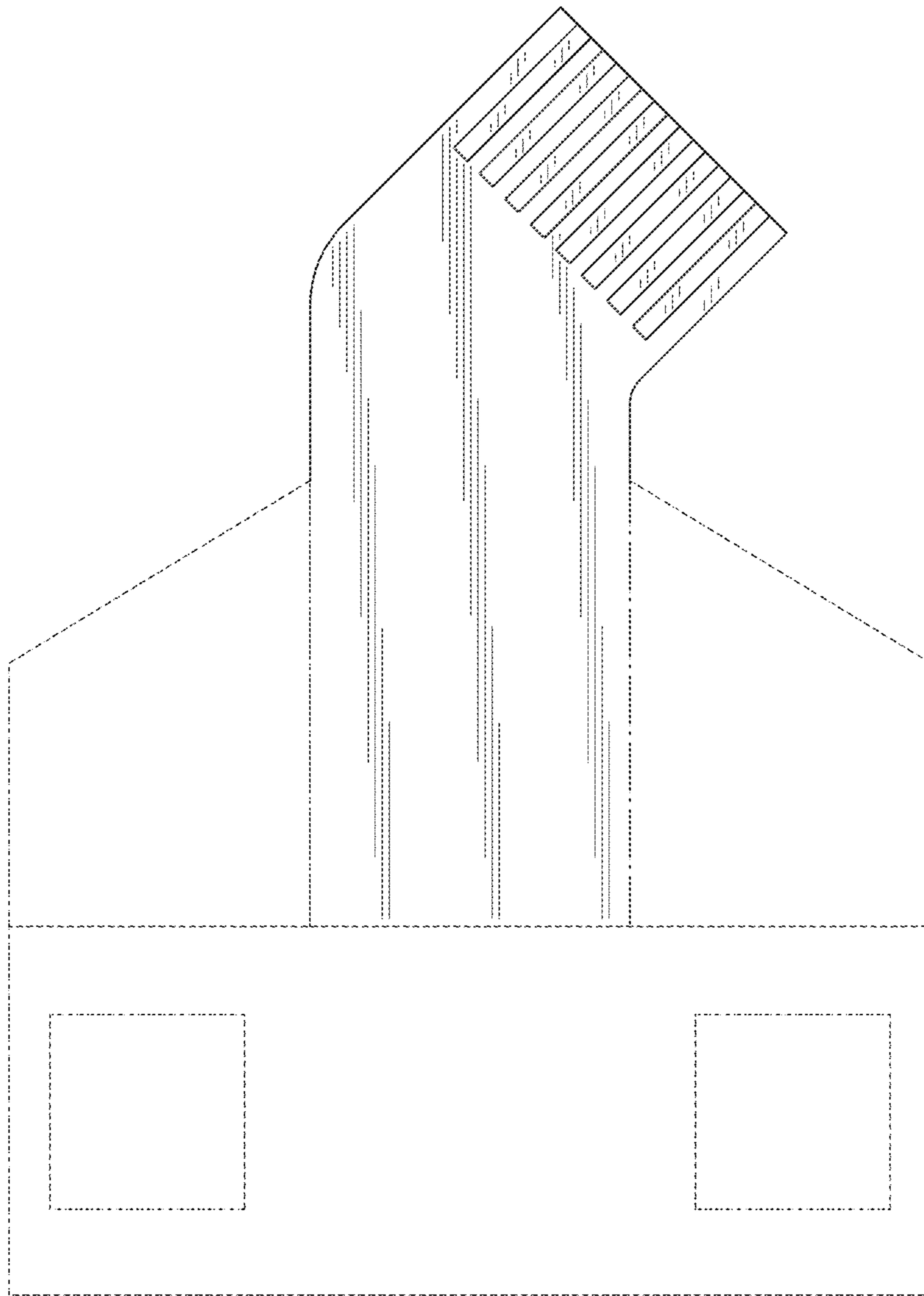


FIG. 5

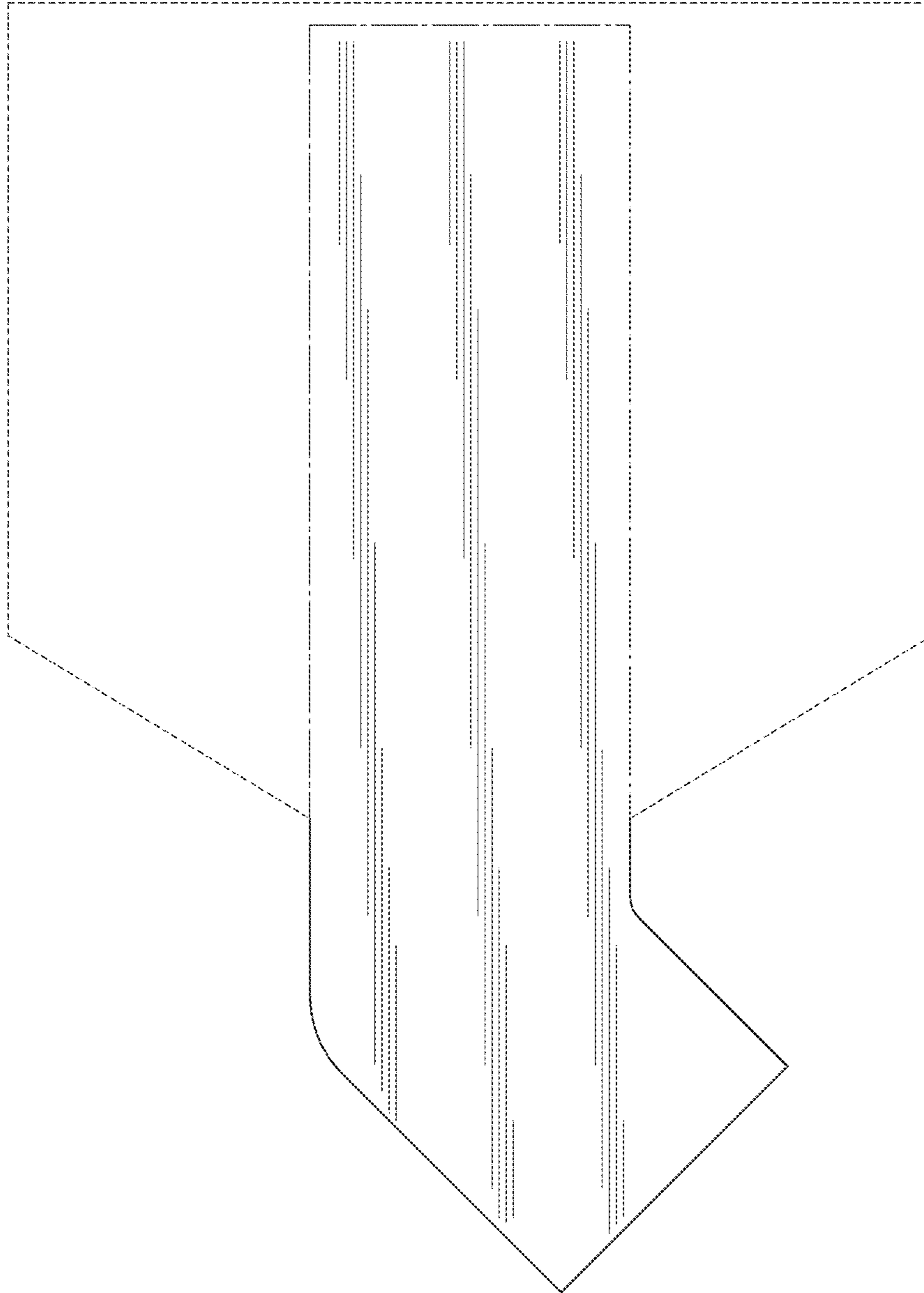


FIG. 6

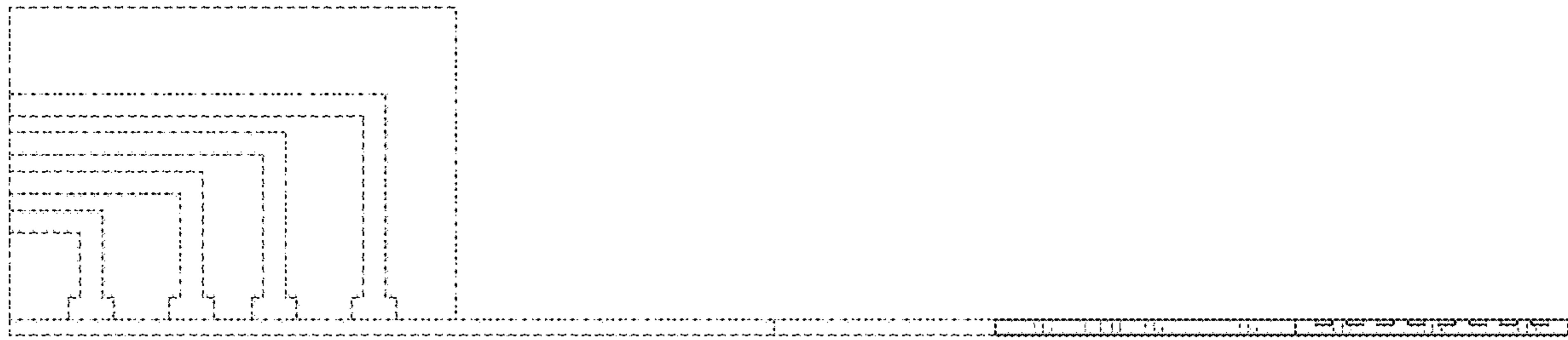


FIG. 7



FIG. 8

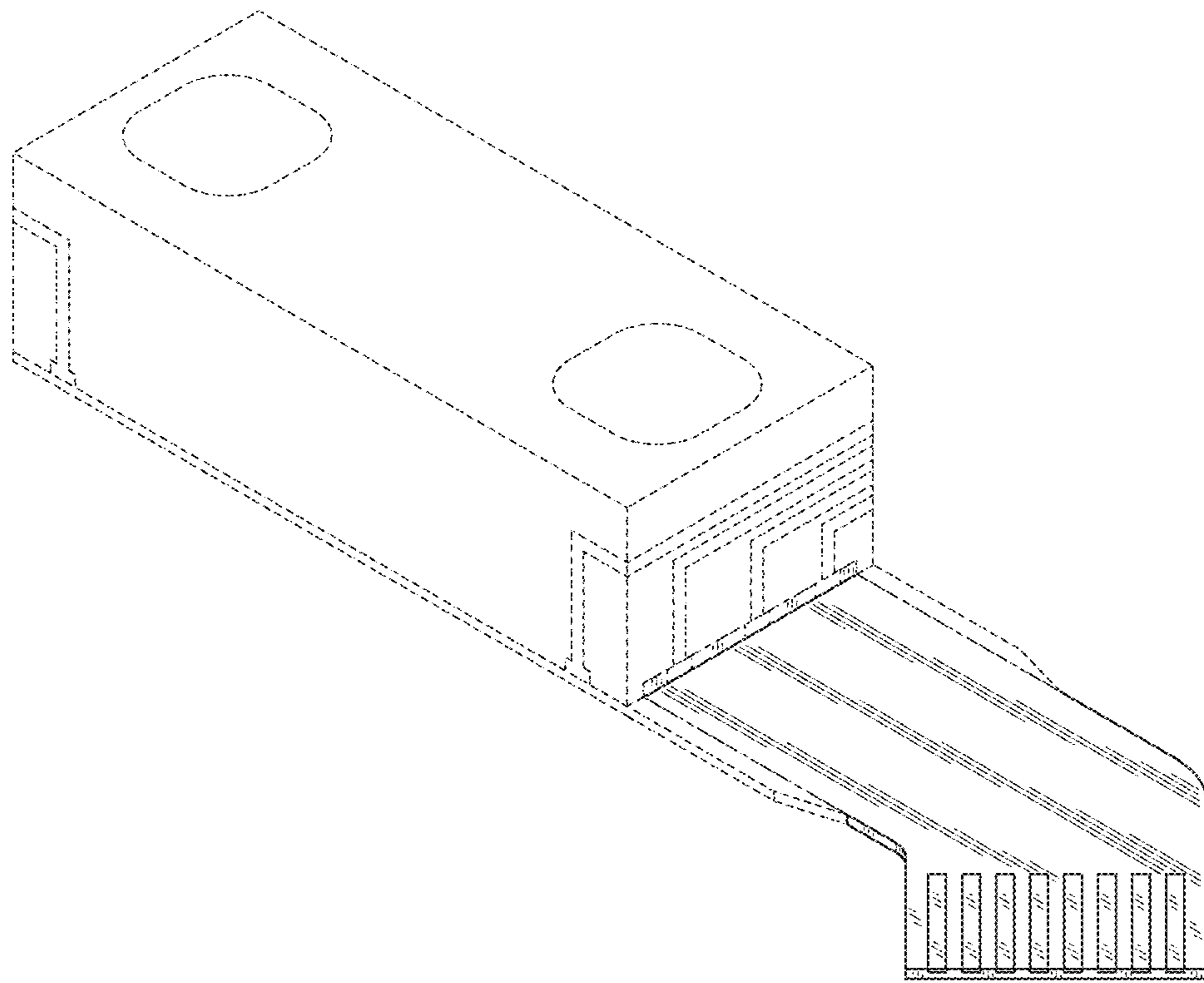


FIG. 9

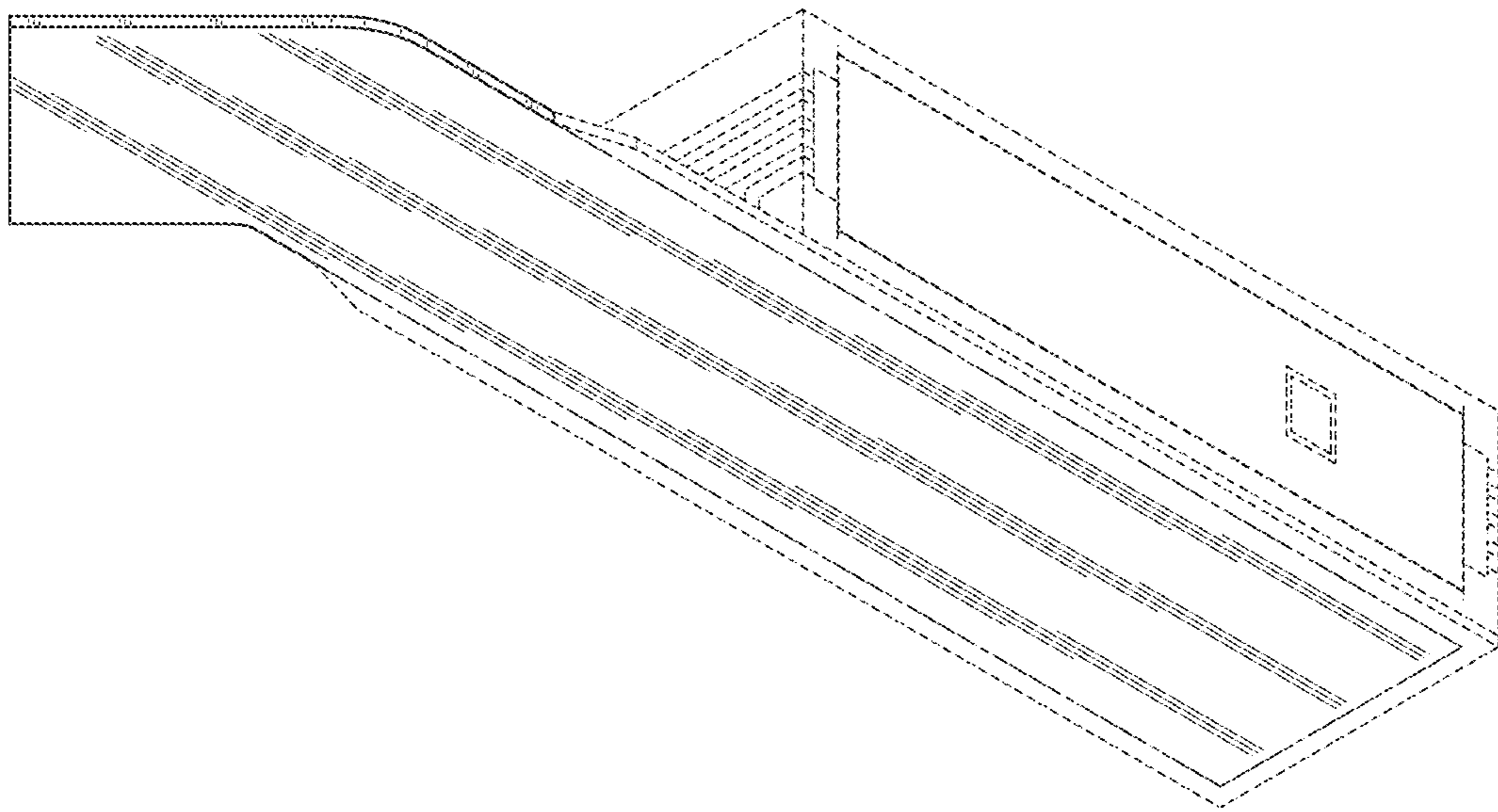


FIG. 10

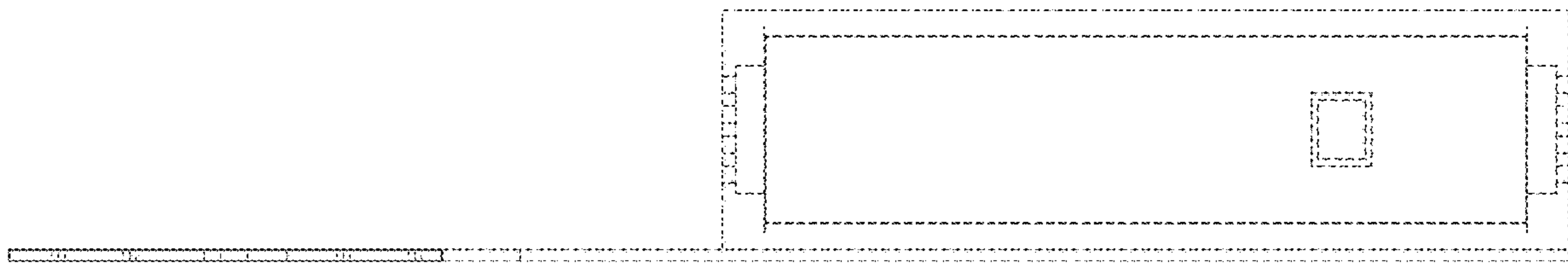


FIG. 11

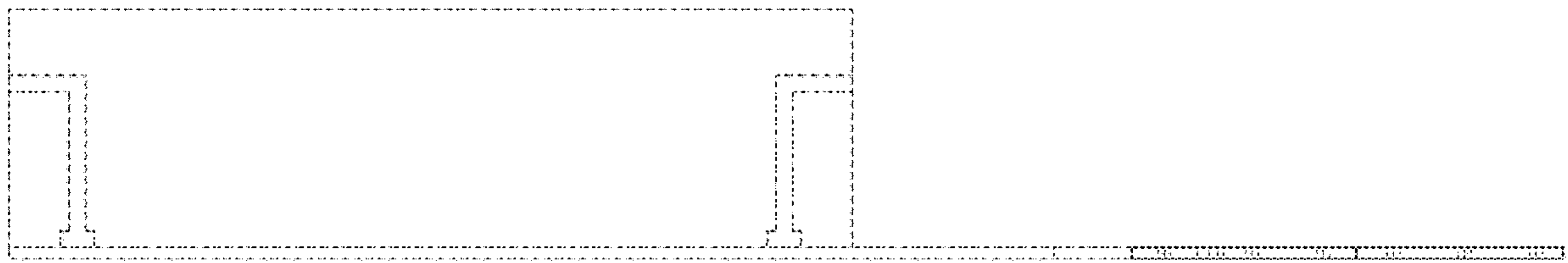


FIG. 12

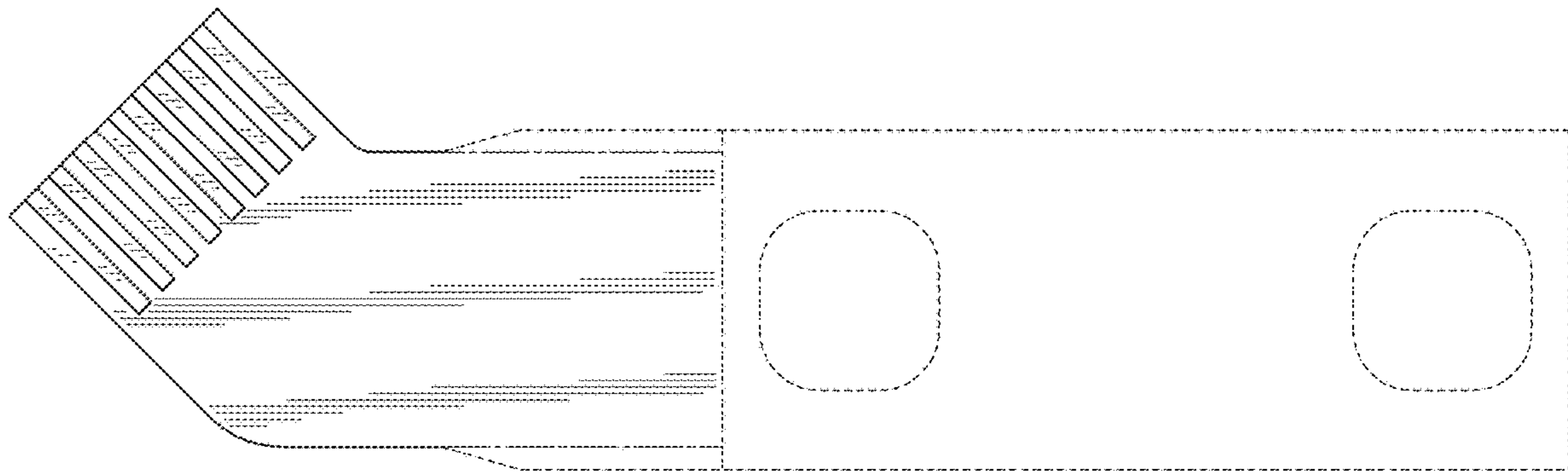


FIG. 13

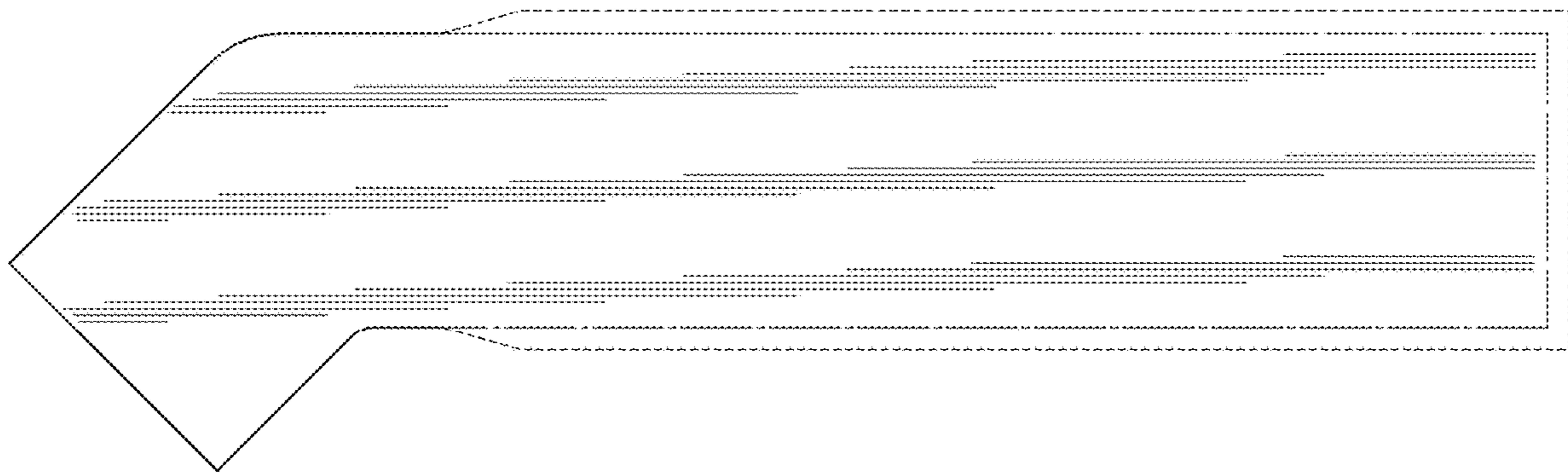


FIG. 14

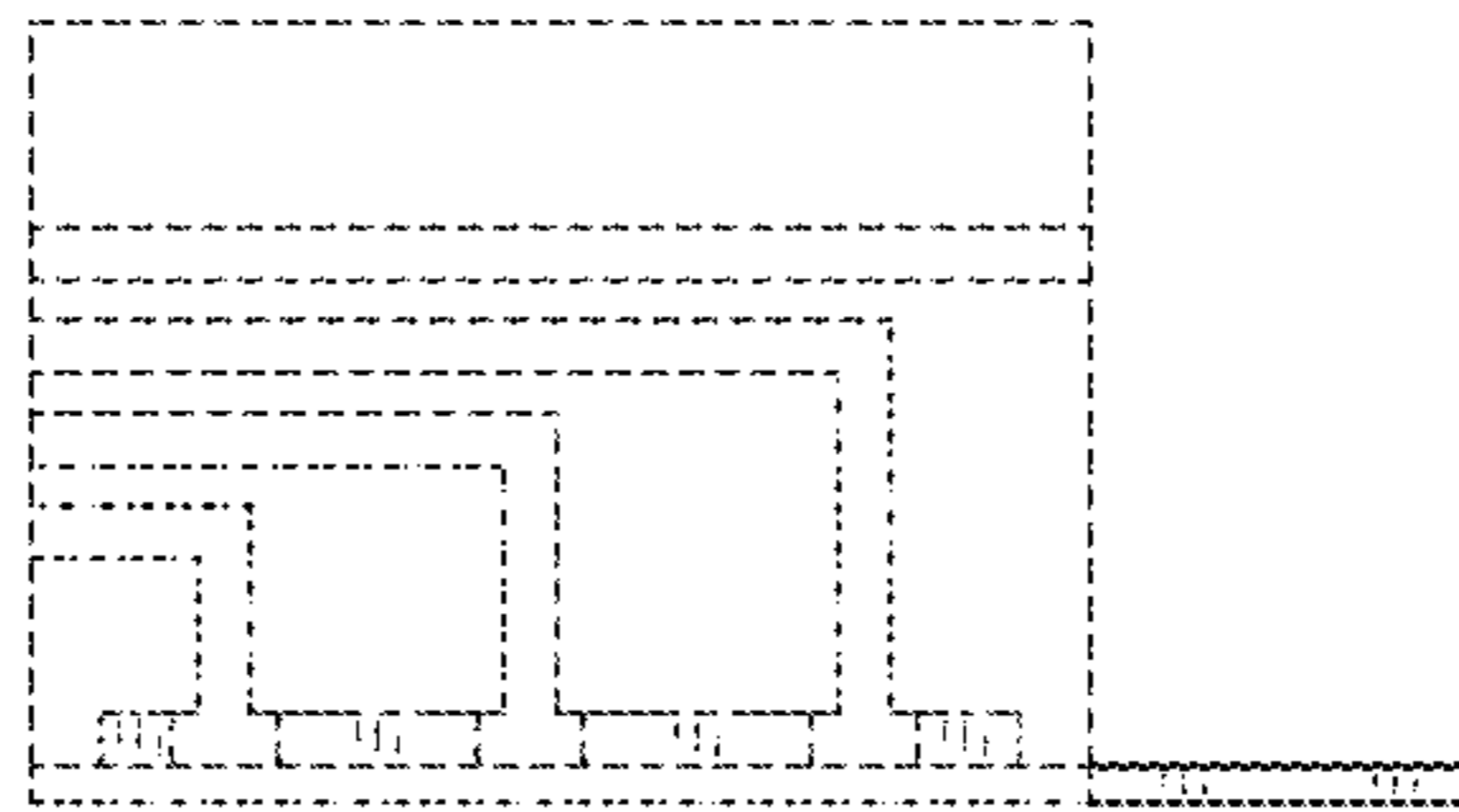


FIG. 15

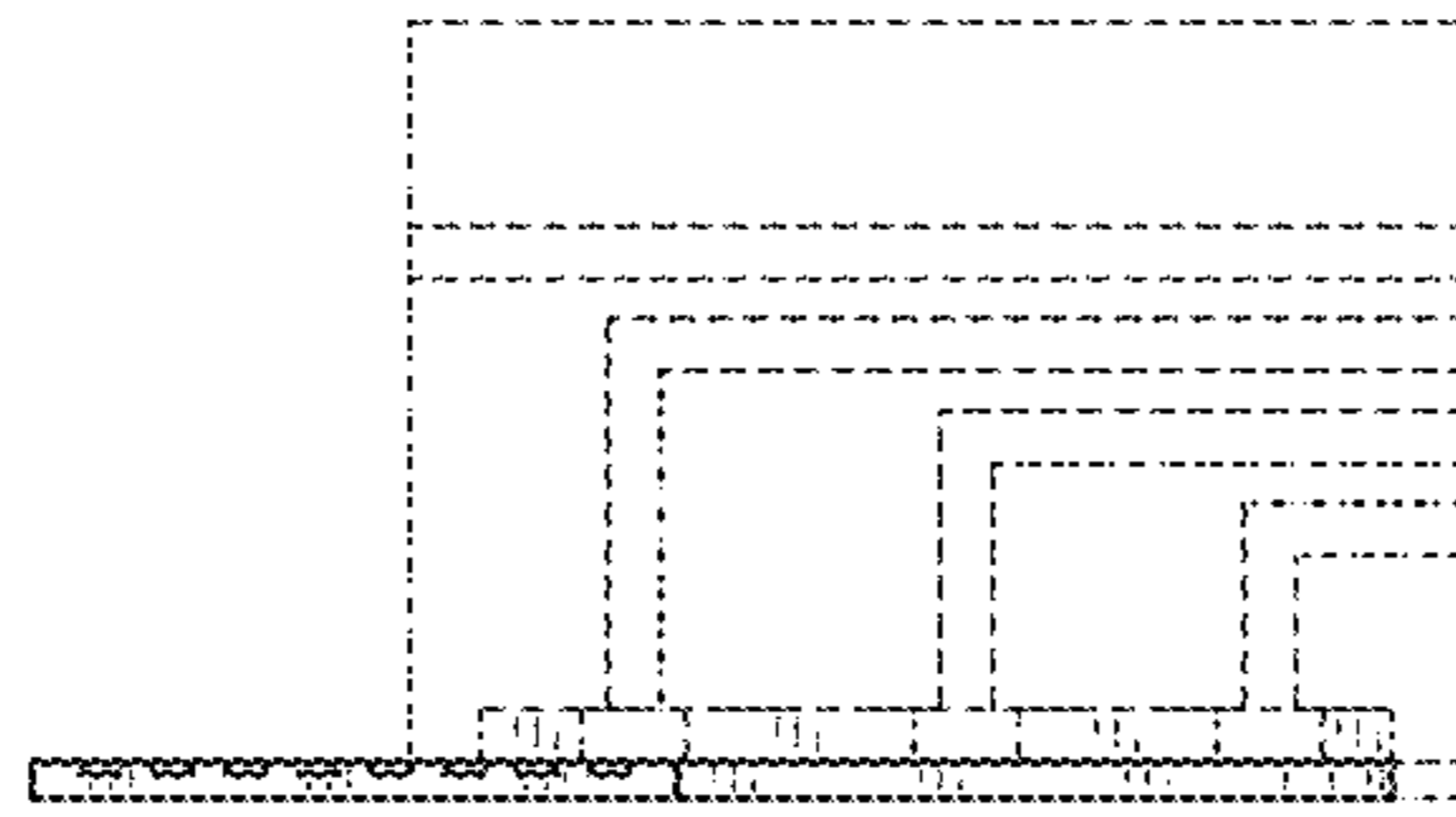


FIG. 16