



US00D884529S

(12) **United States Design Patent**
Woerber et al.

(10) **Patent No.:** **US D884,529 S**
(45) **Date of Patent:** **** May 19, 2020**

(54) **PRESSURE GAUGE WITH ATTACHED ANTENNA**

9,080,897 B2 * 7/2015 Schumacher G01D 5/26
10,347,981 B1 * 7/2019 Huang H01Q 1/38

* cited by examiner

(71) Applicant: **WIKA Alexander Wiegand SE & Co. KG, Klingenberg/Main (DE)**

Primary Examiner — Antoine Duval Davis

(72) Inventors: **Florian Woerber, Klingenberg (DE); Paul Loury, Coublevie (FR)**

(74) *Attorney, Agent, or Firm* — Muncy, Geissler, Olds & Lowe, P.C.

(73) Assignee: **WIKA Alexander Wiegand SE & Co. KG, Klingenberg/Main (DE)**

(57) **CLAIM**

The ornamental design for a pressure gauge with attached antenna, as shown and described.

(**) Term: **15 Years**

DESCRIPTION

(21) Appl. No.: **29/673,471**

FIG. 1 is a front perspective view of a pressure gauge with attached antenna according to the present invention.

(22) Filed: **Dec. 14, 2018**

FIG. 2 is a front view of the pressure gauge with attached antenna of FIG. 1.

(51) **LOC (12) Cl.** **10-04**

FIG. 3 is a rear view of the pressure gauge with attached antenna of FIG. 1.

(52) **U.S. Cl.**

USPC **D10/102**

FIG. 4 is a left side view of the pressure gauge with attached antenna of FIG. 1.

(58) **Field of Classification Search**

USPC D10/102

CPC G01D 7/00; G01D 7/002; G01D 7/005;

G01D 7/007; G01D 7/02; G01D 7/04;

G01D 7/06; G01D 7/08; G01D 7/10;

G01D 7/12; G01D 11/24; G01D 11/245;

G01D 11/26; G01D 11/28; G01D 11/30;

G01D 13/00; G01D 13/02; G01D 13/04;

G01D 13/06; G01D 13/08; G01D 13/22

See application file for complete search history.

FIG. 5 is a right side view of the pressure gauge with attached antenna of FIG. 1.

FIG. 6 is a top view of the pressure gauge with attached antenna of FIG. 1; and,

FIG. 7 is a bottom view of the pressure gauge with attached antenna of FIG. 1.

The dashed lines illustrate environment that does not form a part of the present invention, and no claim is made to the material illustrated with dashed lines.

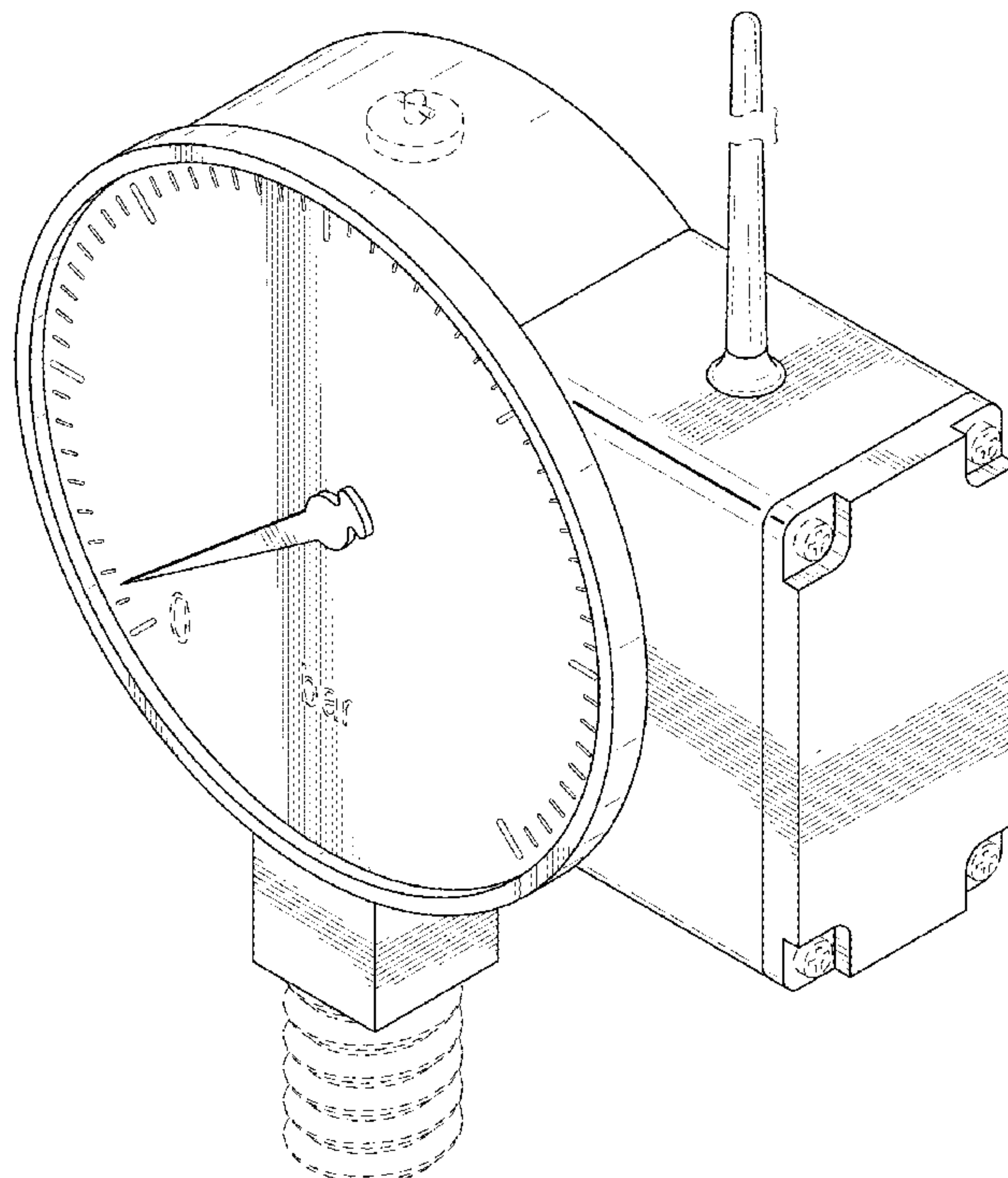
The article is shown with a symbolic break in its length. The appearance of any portion of the article between the break lines forms no part of the claimed design.

(56) **References Cited**

U.S. PATENT DOCUMENTS

D706,661 S * 6/2014 Boyer D10/102

1 Claim, 7 Drawing Sheets



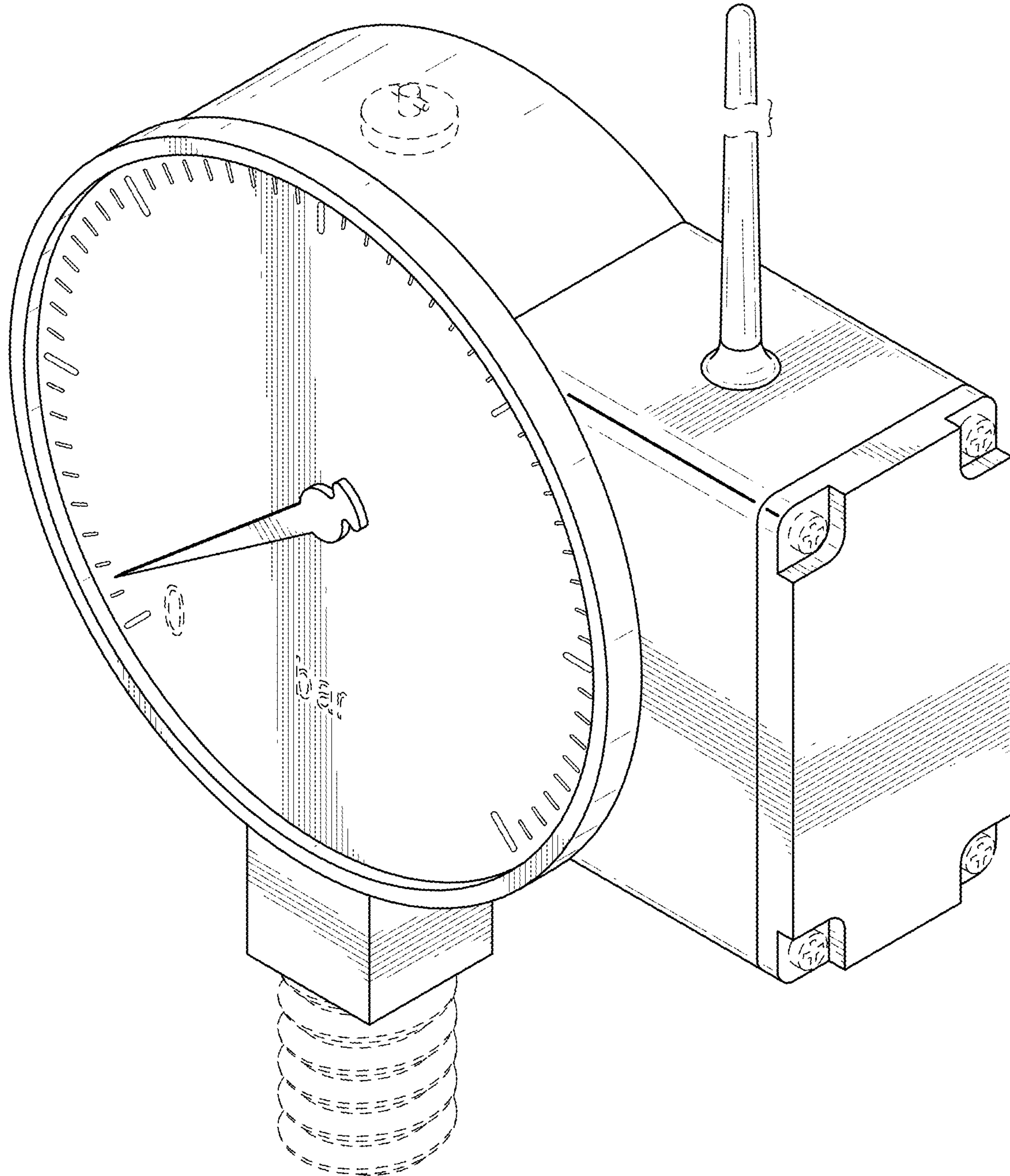


FIG.1

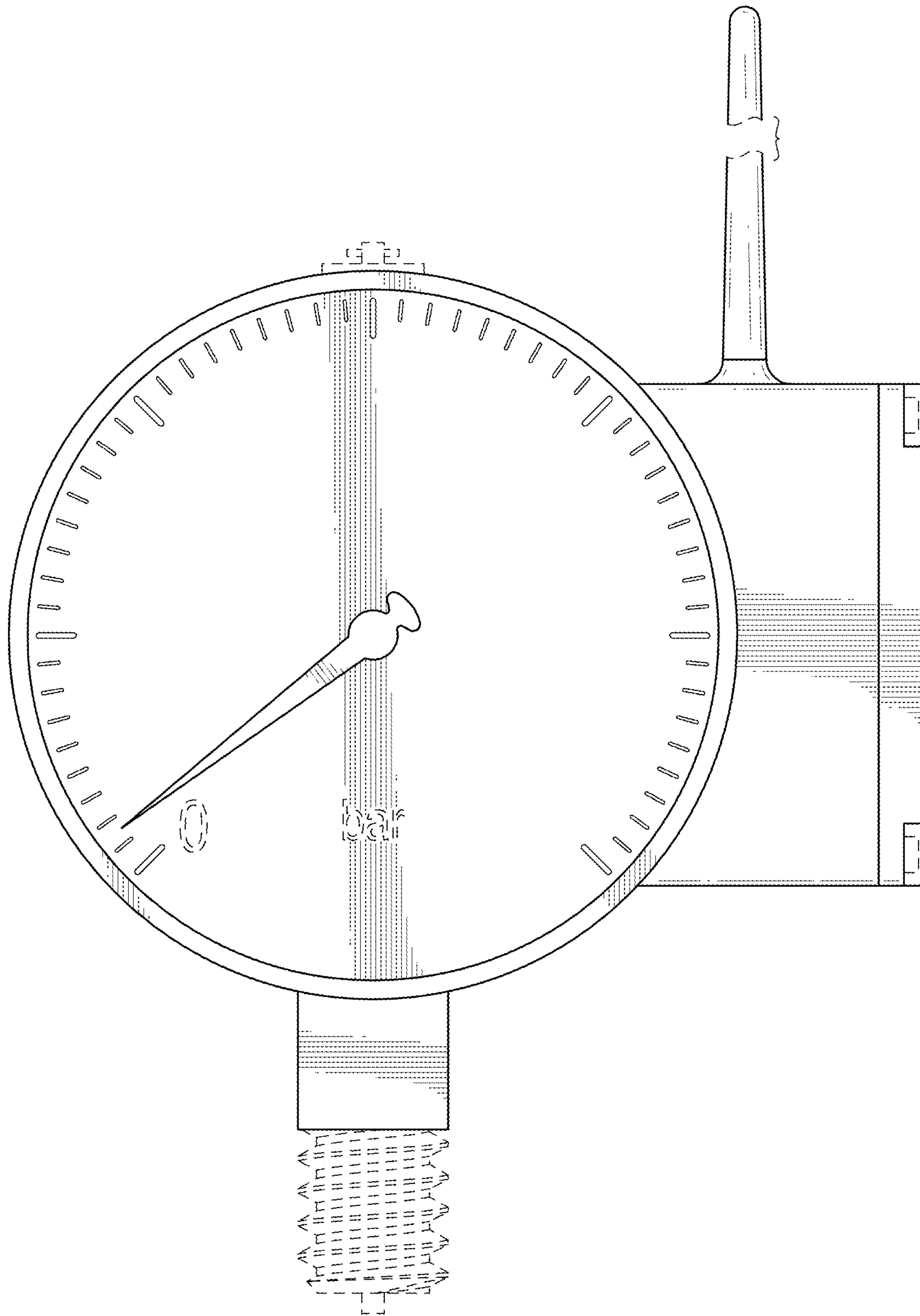


FIG.2

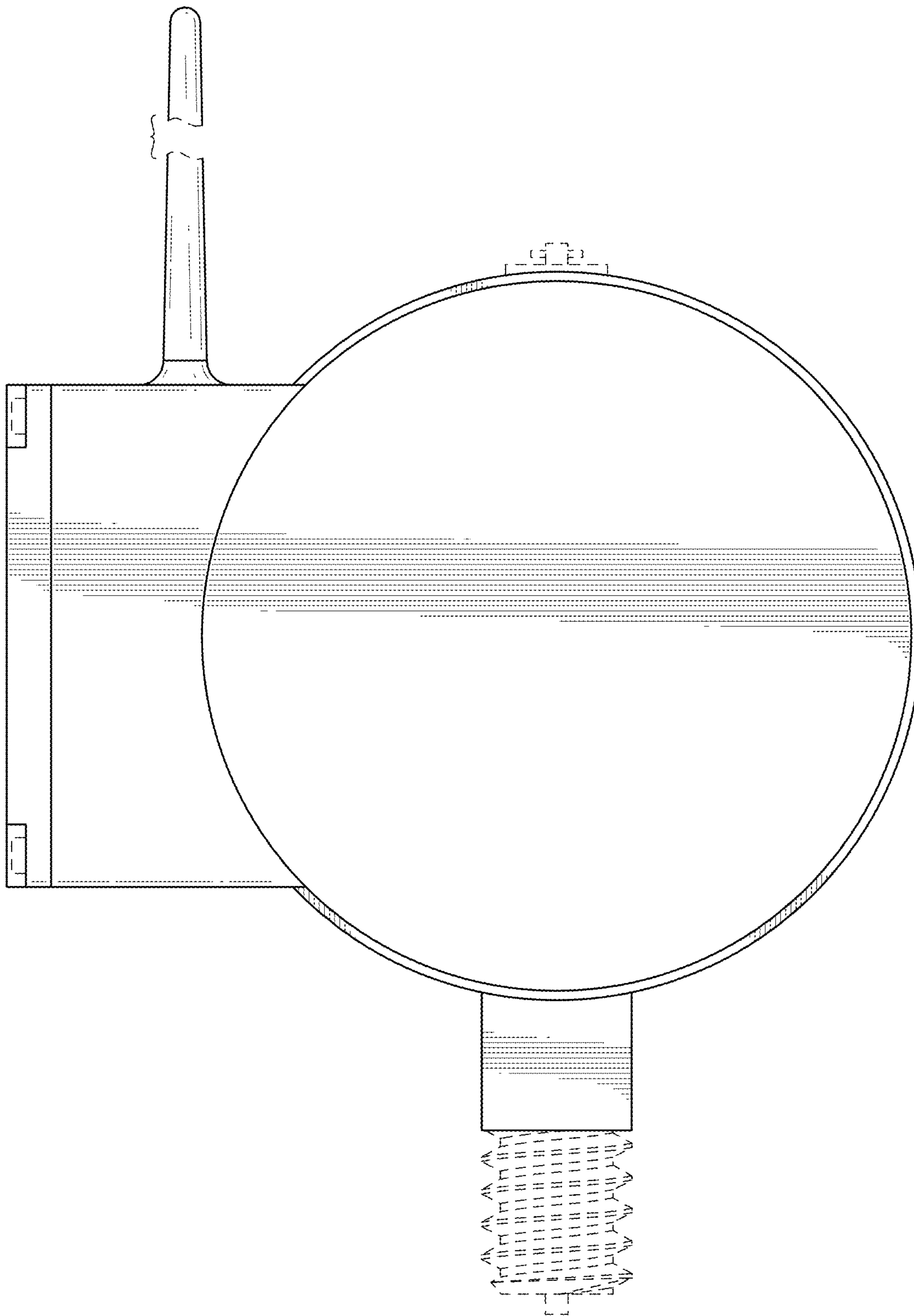


FIG.3

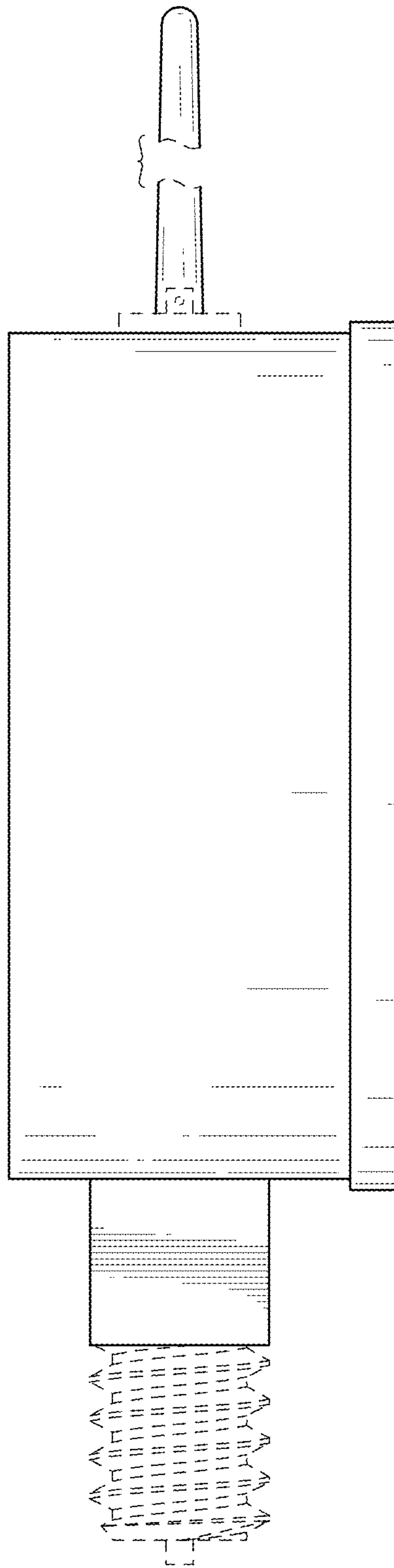


FIG.4

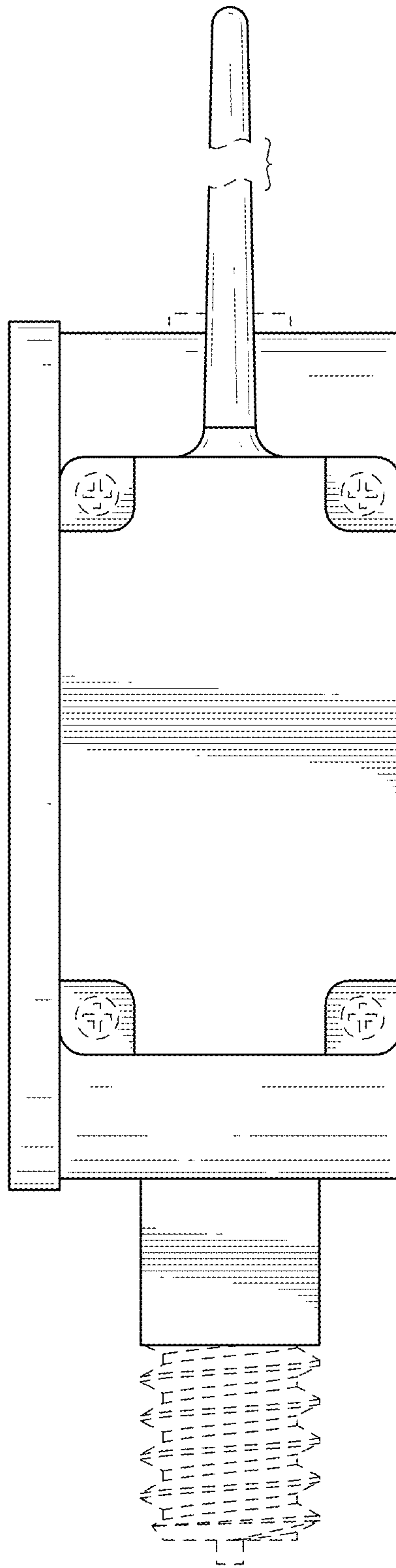


FIG.5

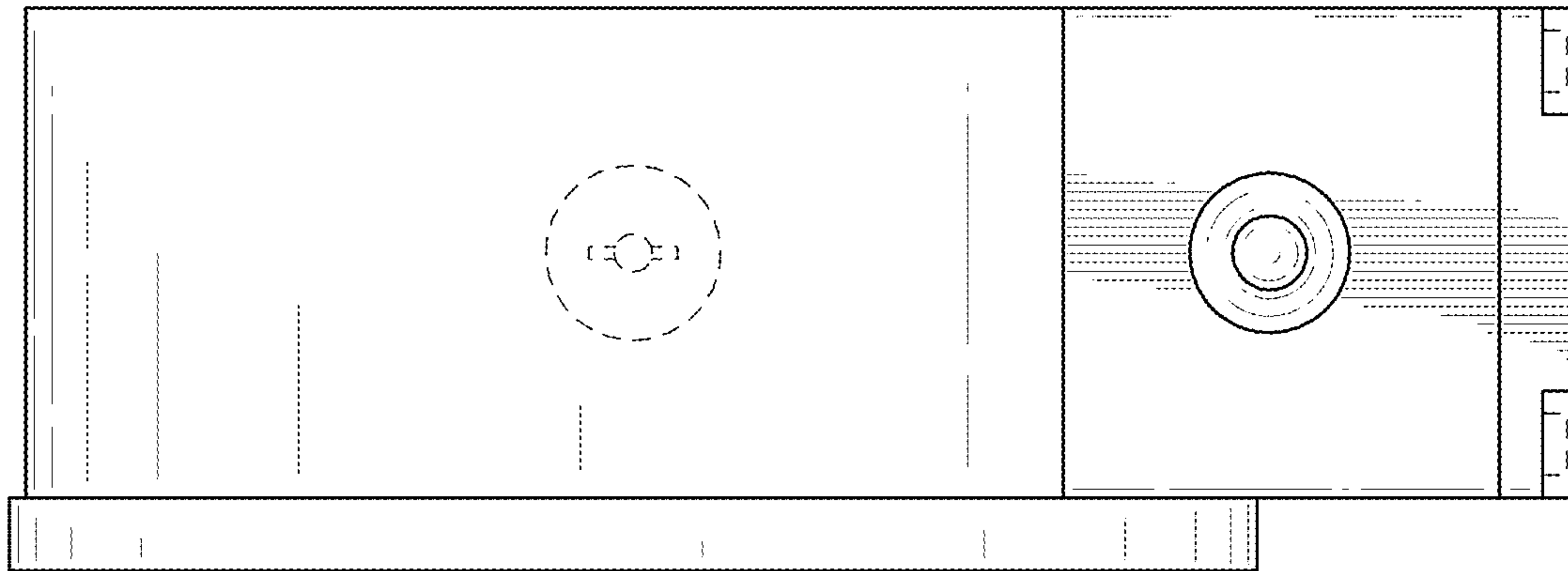


FIG.6

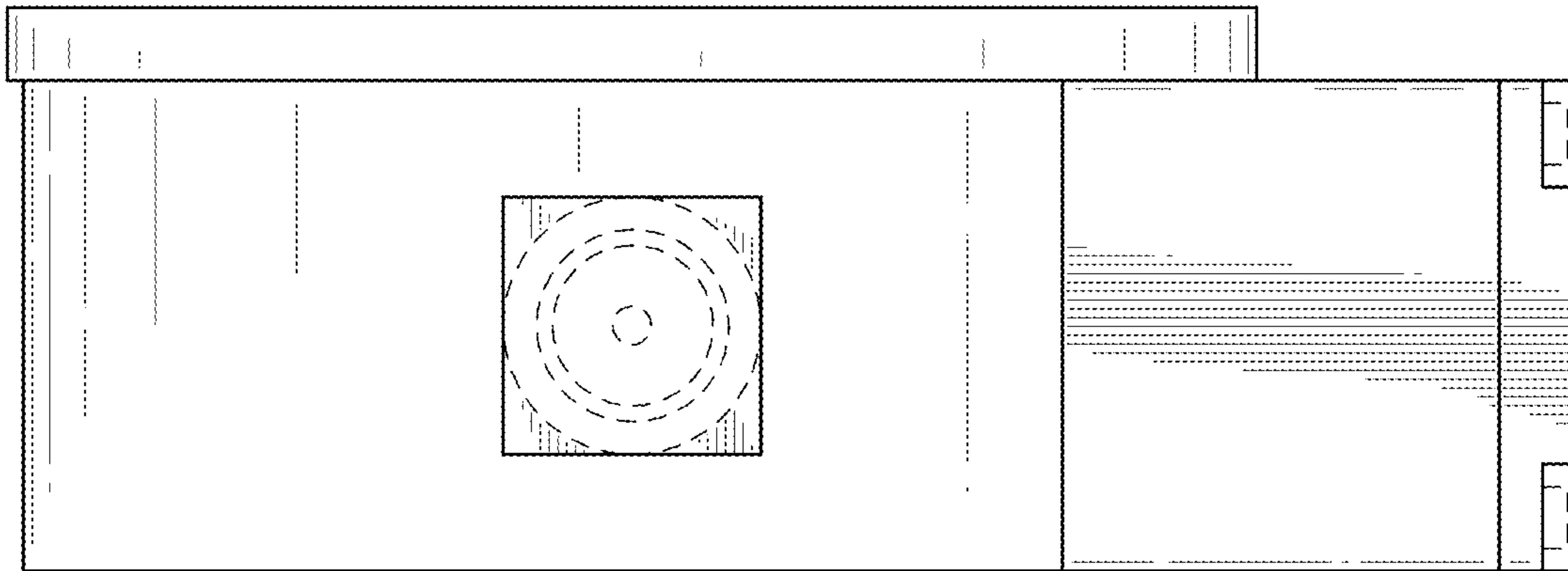


FIG.7