



US00D884524S

(12) **United States Design Patent** (10) **Patent No.:** **US D884,524 S**
Chu et al. (45) **Date of Patent:** **** May 19, 2020**

(54) **PORTABLE CHROMATOGRAPH**

(71) Applicant: **Agilent Technologies, Inc.**, Santa Clara, CA (US)

(72) Inventors: **Bo Chu**, Shanghai (CN); **Fanny Hauser**, Baden-Württemberg (DE); **Cathrin Sohns**, Karlsruhe (DE); **Qi Siegmundt-Pan**, Karlsruhe (DE)

(73) Assignee: **Agilent Technologies, Inc.**, Santa Clara, CA (US)

(**) Term: **15 Years**

(21) Appl. No.: **29/670,246**

(22) Filed: **Nov. 14, 2018**

(51) **LOC (12) Cl.** **10-04**

(52) **U.S. Cl.**
USPC **D10/81; D24/216; D24/232**

(58) **Field of Classification Search**
USPC **D10/81; D24/216, 232**
(Continued)

(56) **References Cited**

U.S. PATENT DOCUMENTS

4,112,737 A * 9/1978 Morgan G01N 7/10
73/19.02
D265,346 S * 7/1982 Maier D24/230
(Continued)

Primary Examiner — Antoine Duval Davis

(57) **CLAIM**

We claim the ornamental design for a portable chromatograph, as shown and described.

DESCRIPTION

FIG. 1 is a front perspective view of a portable chromatograph.

FIG. 2 is a rear perspective view of the portable chromatograph illustrated in FIG. 1.

FIG. 3 is a front elevation view of the portable chromatograph illustrated in FIG. 1.

FIG. 4 is a left side elevation view of the portable chromatograph illustrated in FIG. 1.

FIG. 5 is a right side elevation view of the portable chromatograph illustrated in FIG. 1.

FIG. 6 is a top plan view of the portable chromatograph illustrated in FIG. 1.

FIG. 7 is a front perspective view of the portable chromatograph illustrated in FIG. 1, with a cover thereof in an open position.

FIG. 8 is a rear perspective view of the portable chromatograph illustrated in FIG. 1, with the cover in the same open position as illustrated in FIG. 7.

FIG. 9 is a front elevation view of the portable chromatograph illustrated in FIG. 1, with the cover in the same open position as illustrated in FIG. 7.

FIG. 10 is a rear elevation view of the portable chromatograph illustrated in FIG. 1, with the cover in the same open position as illustrated in FIG. 7.

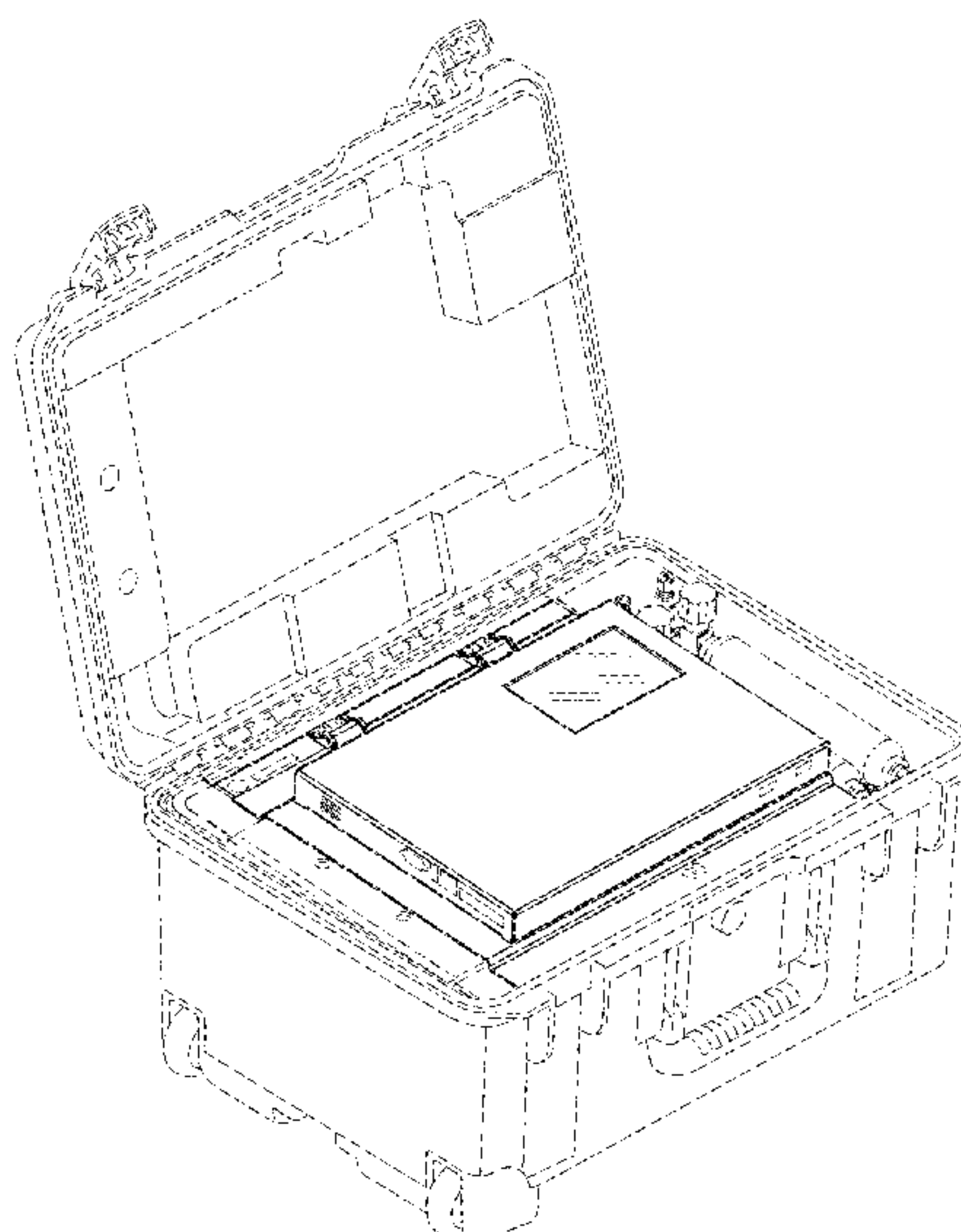
FIG. 11 is a left side elevation view of the portable chromatograph illustrated in FIG. 1, with the cover in the same open position as illustrated in FIG. 7.

FIG. 12 is a right side elevation view of the portable chromatograph illustrated in FIG. 1, with the cover in the same open position as illustrated in FIG. 7; and,

FIG. 13 is a top plan view of the portable chromatograph illustrated in FIG. 1, with the cover in the same open position as illustrated in FIG. 7.

In the drawings, the claimed portable chromatograph is illustrated as being positioned in an outer case with an opened lid. The broken lines illustrating the outer case are for illustrative purposes only and form no part of the claimed design. In FIG. 10, the lid of the outer case is not shown. All other broken lines in the drawings illustrate portions of the portable chromatograph that form no part of the claimed design.

1 Claim, 13 Drawing Sheets



(58) **Field of Classification Search**

CPC B01D 15/424; B01D 15/22; B01D 15/08;
 B01D 15/165; B01D 15/168; B01D
 15/1878; B01D 15/1892; B01D 15/265;
 B01D 15/30; B01D 15/305; B01D 15/32;
 B01D 15/34; B01D 15/345; B01D
 15/3804; B01D 15/3809; B01D 15/3828;
 B01D 15/3833; B01D 15/3838; B01D
 15/3842; G01N 30/02; G01N 30/60;
 G01N 30/6004; G01N 30/6017; G01N
 30/6021; G01N 30/6026; G01N 30/603;
 G01N 30/6034; G01N 30/6039; G01N
 30/6043; G01N 30/6047; G01N 30/6052;
 G01N 30/606; G01N 30/6065; G01N
 30/6069; G01N 30/6073; G01N 30/6078;
 G01N 30/6082; G01N 30/6086; G01N
 30/6095; G01N 30/62; G01N 30/64;
 G01N 30/66; G01N 30/68; G01N 30/70;
 G01N 30/72; G01N 30/7206; G01N
 30/7213; G01N 30/722; G01N 30/7233;
 G01N 30/724; G01N 30/7246; G01N
 30/7253; G01N 30/726; G01N 30/7266;
 G01N 30/7273; G01N 30/728; G01N
 30/7286; G01N 30/7293; G01N 30/74;
 G01N 30/76; G01N 30/78; G01N 30/80;
 G01N 30/82; G01N 30/84; G01N 30/86;
 G01N 30/8603; G01N 30/8606; G01N
 30/861; G01N 30/8613; G01N 30/8617;
 G01N 30/8624; G01N 30/8627; G01N
 30/8631; G01N 30/8634; G01N 30/8637;
 G01N 30/8641; G01N 30/8644; G01N
 30/8651; G01N 30/8655; G01N 30/8658;
 G01N 30/8662; G01N 30/8665; G01N
 30/8668; G01N 30/8672; G01N 30/8675;
 G01N 30/8679; G01N 30/8682; G01N
 30/8686; G01N 30/8689; G01N 30/8693;
 G01N 30/8696; G01N 30/88; G01N
 30/89; G01N 30/90; G01N 30/91; G01N
 30/92; G01N 30/93; G01N 30/94; G01N
 30/95; G01N 30/96; G01N 2030/022;
 G01N 2030/025; G01N 2030/027; G01N

2030/6008; G01N 2030/6013; G01N
 2030/6056; G01N 2030/621; G01N
 2030/623; G01N 2030/625; G01N
 2030/626; G01N 2030/628; G01N
 2030/642; G01N 2030/645; G01N
 2030/647; G01N 2030/685; G01N
 2030/7226; G01N 2030/743; G01N
 2030/746; G01N 2030/765; G01N
 2030/77; G01N 2030/862; G01N
 2030/8648; G01N 2030/8804; G01N
 2030/8809; G01N 2030/8813; G01N
 2030/8818; G01N 2030/8822; G01N
 2030/8827; G01N 2030/8831; G01N
 2030/8836; G01N 2030/884; G01N
 2030/8845; G01N 2030/885; G01N
 2030/8854; G01N 2030/8859; G01N
 2030/8863; G01N 2030/8868; G01N
 2030/8872; G01N 2030/8877; G01N
 2030/8881; G01N 2030/8886; G01N
 2030/889; G01N 2030/8895; G01N
 2030/903; G01N 2030/906; G01N
 2030/945; G01N 2030/965

See application file for complete search history.

(56)

References Cited

U.S. PATENT DOCUMENTS

D364,576 S	11/1995	Glaser
D422,925 S	4/2000	Glaser et al.
D637,931 S	5/2011	Kimura et al.
D646,398 S	10/2011	Oonuma et al.
D681,228 S	4/2013	Oonuma et al.
D692,157 S	10/2013	Matoba et al.
D693,713 S	11/2013	Noda et al.
D712,066 S	8/2014	Noda et al.
D724,753 S	3/2015	Gutmann et al.
D734,484 S	7/2015	Nishikawa et al.
D750,989 S	3/2016	Shimizu
2013/0288355 A1	10/2013	DeWitte et al.
2015/0040648 A1	2/2015	Matsubara

* cited by examiner

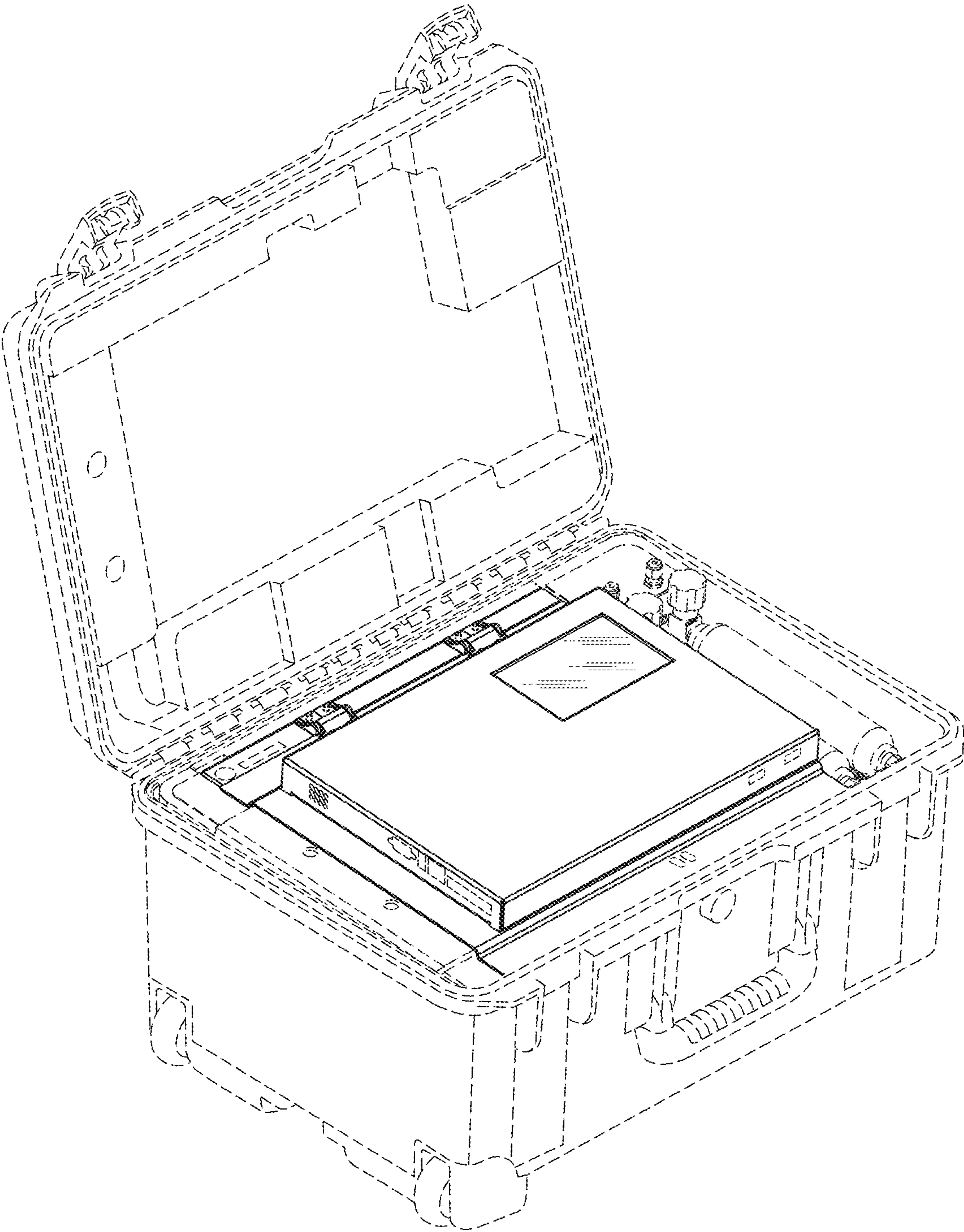


FIG. 1

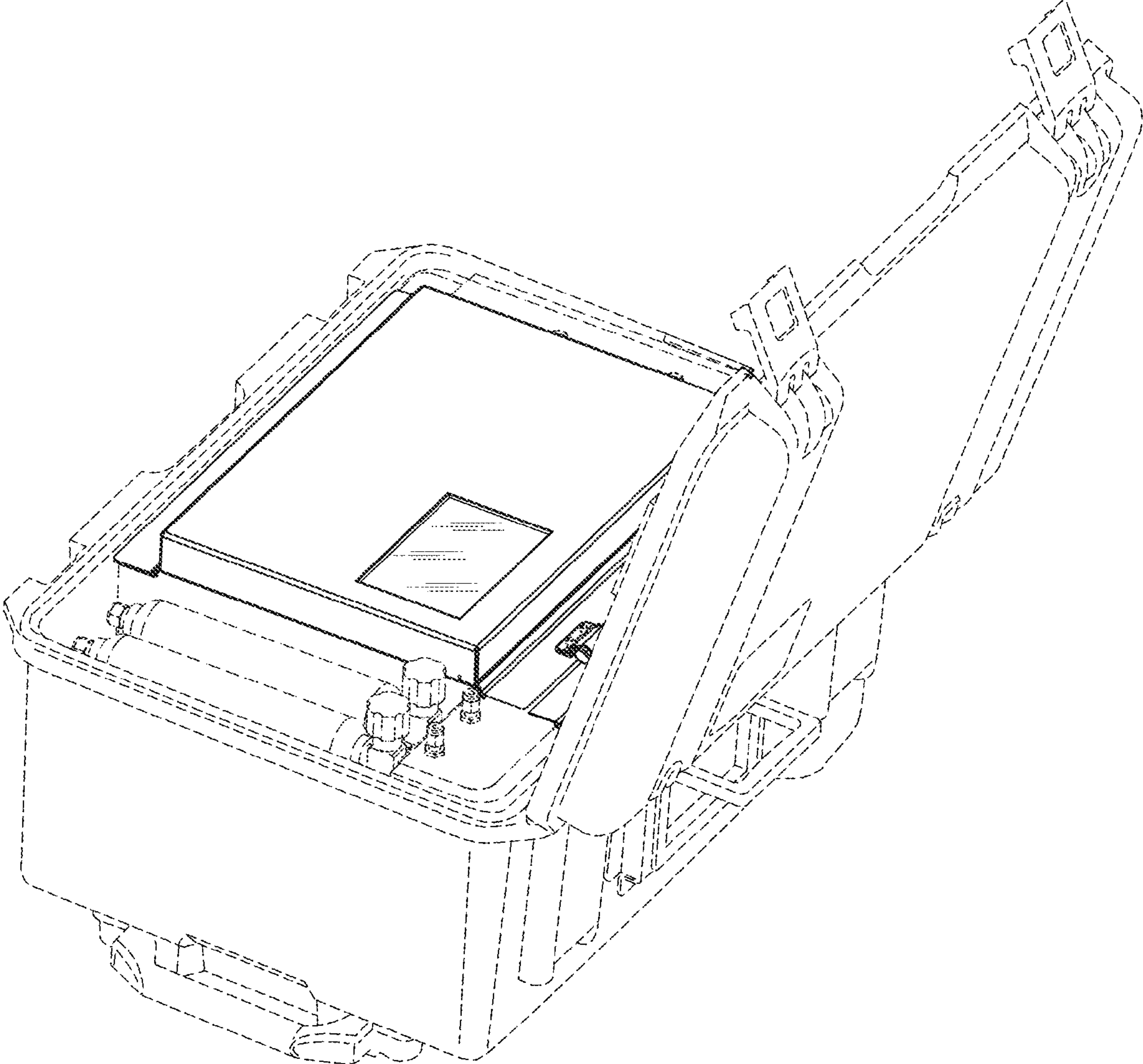


FIG. 2

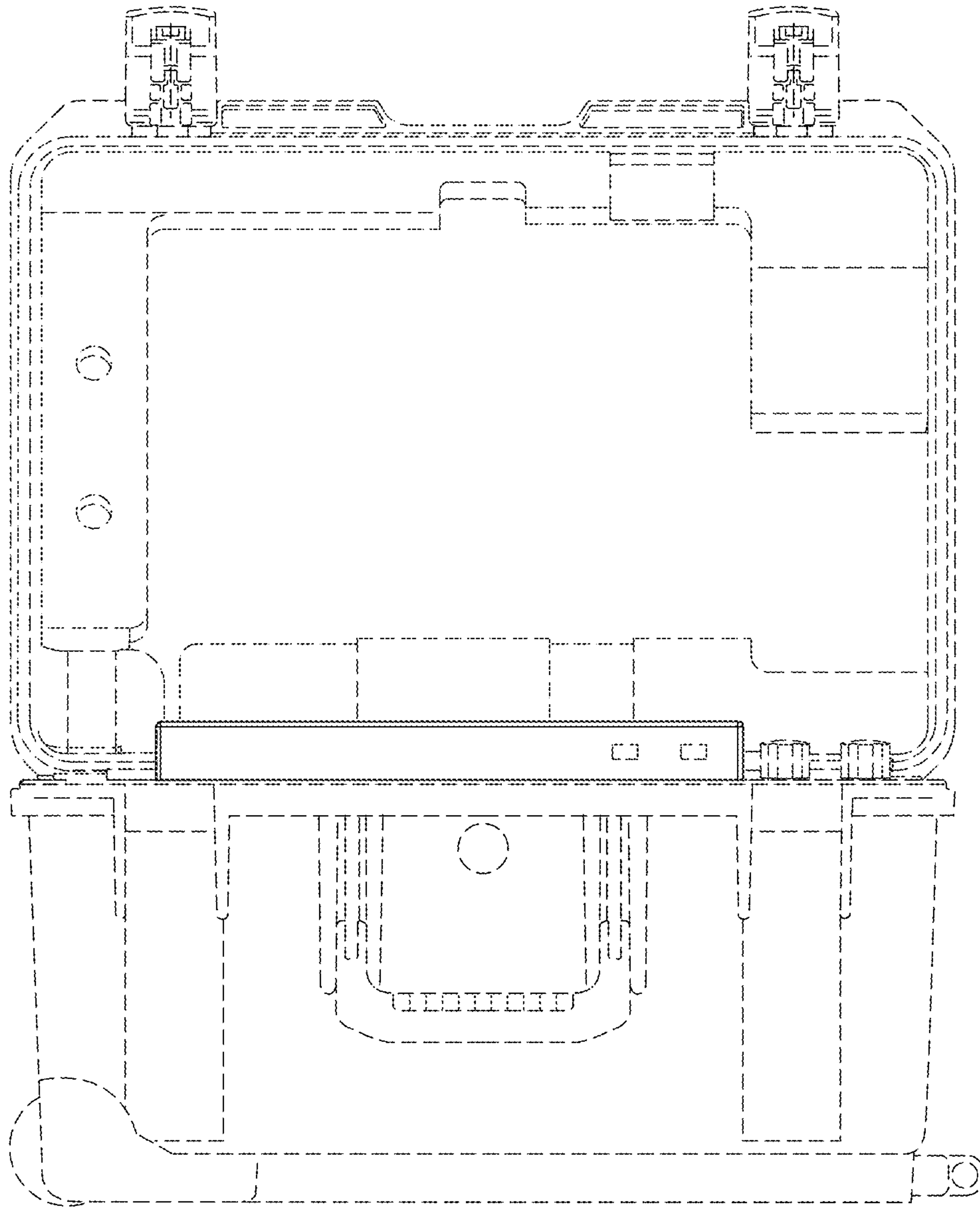


FIG. 3

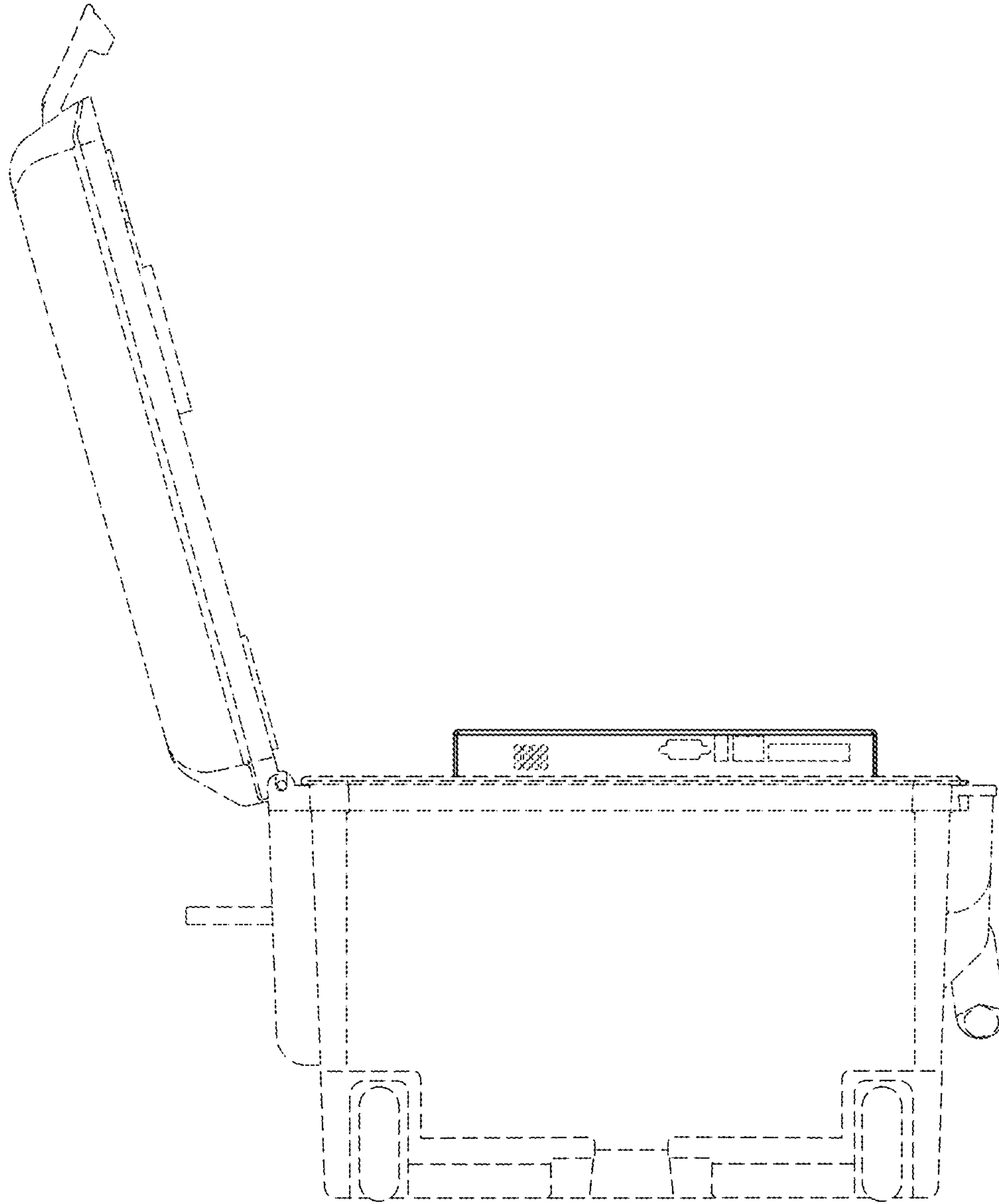


FIG. 4

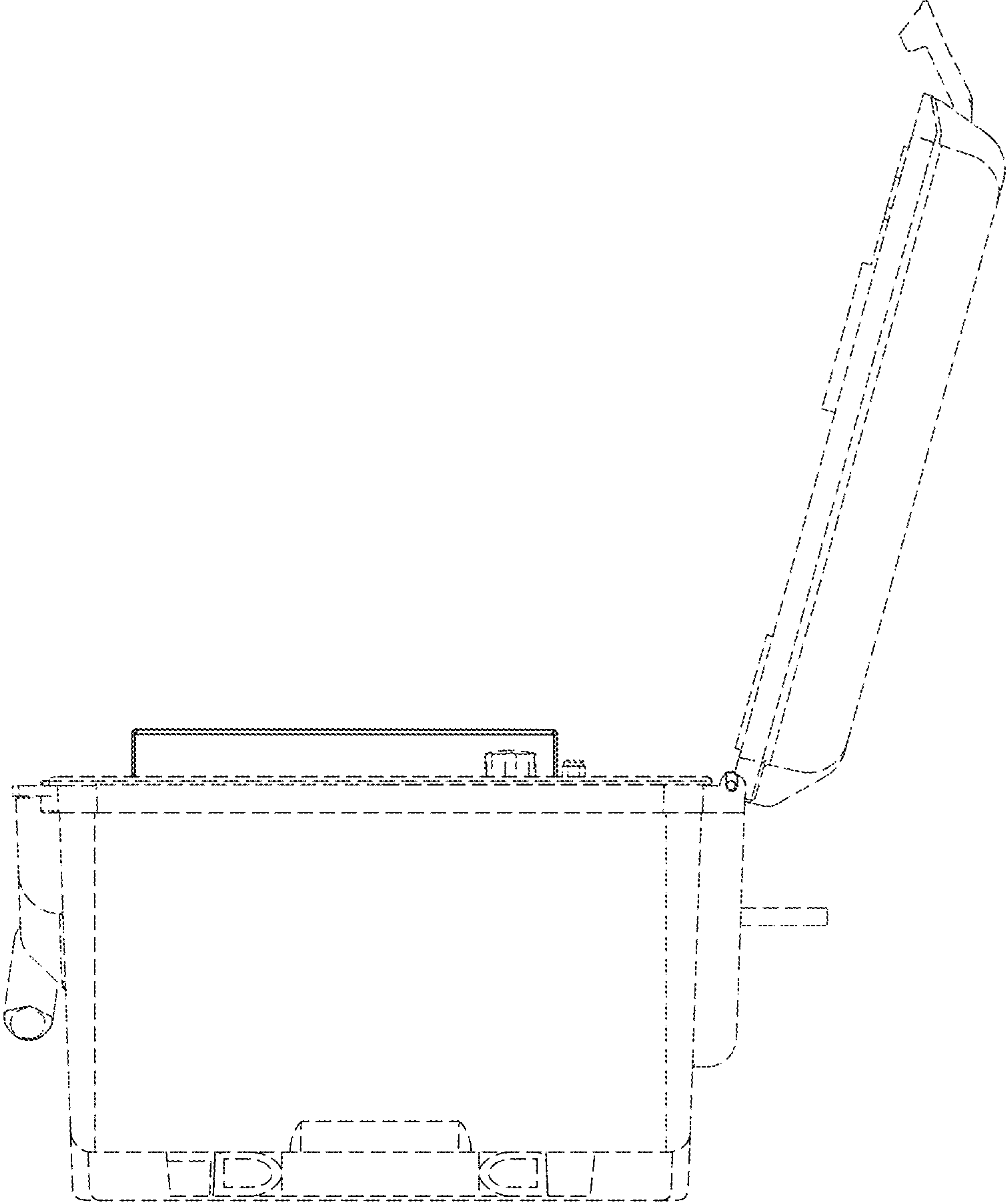


FIG. 5

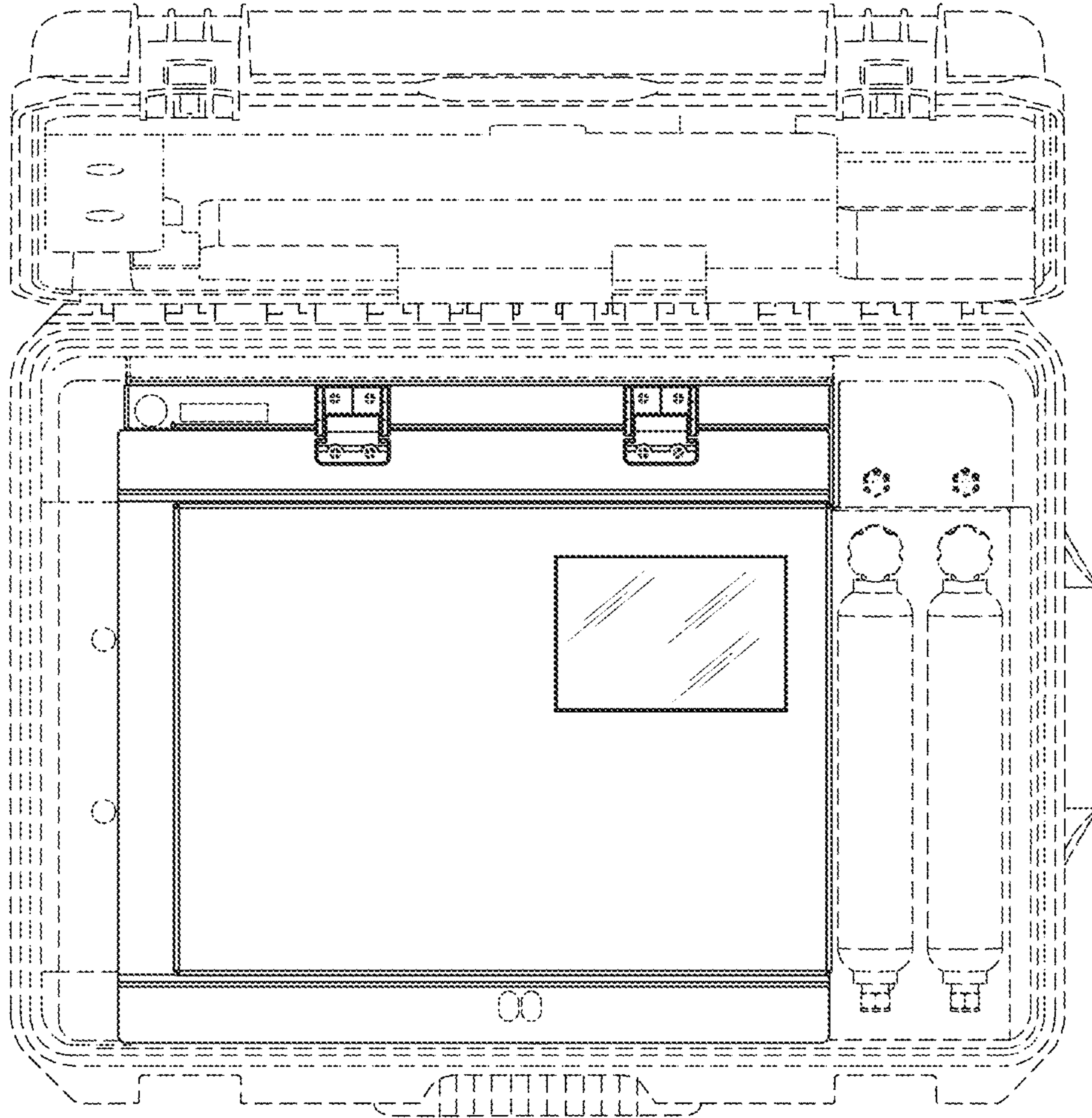


FIG. 6

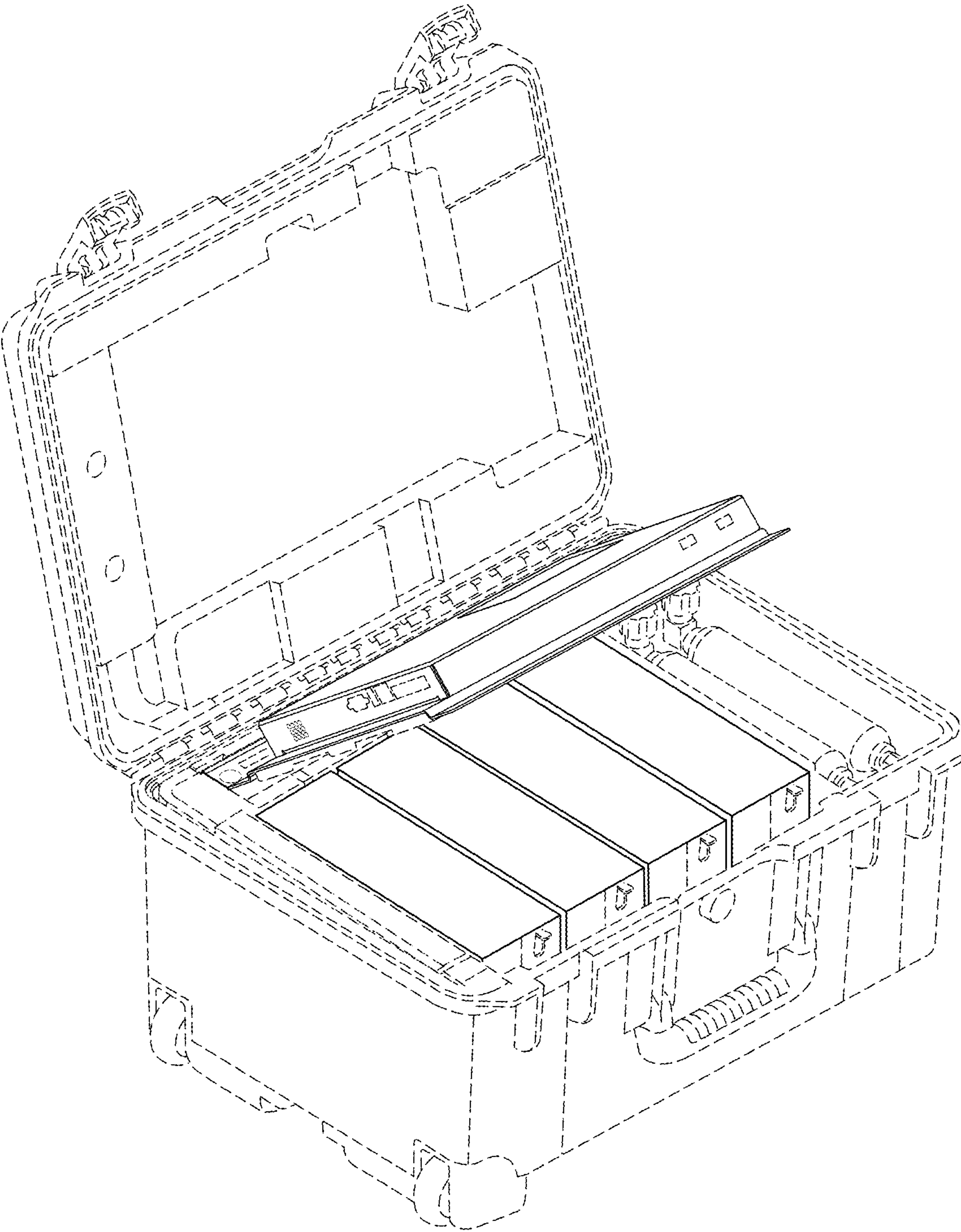


FIG. 7

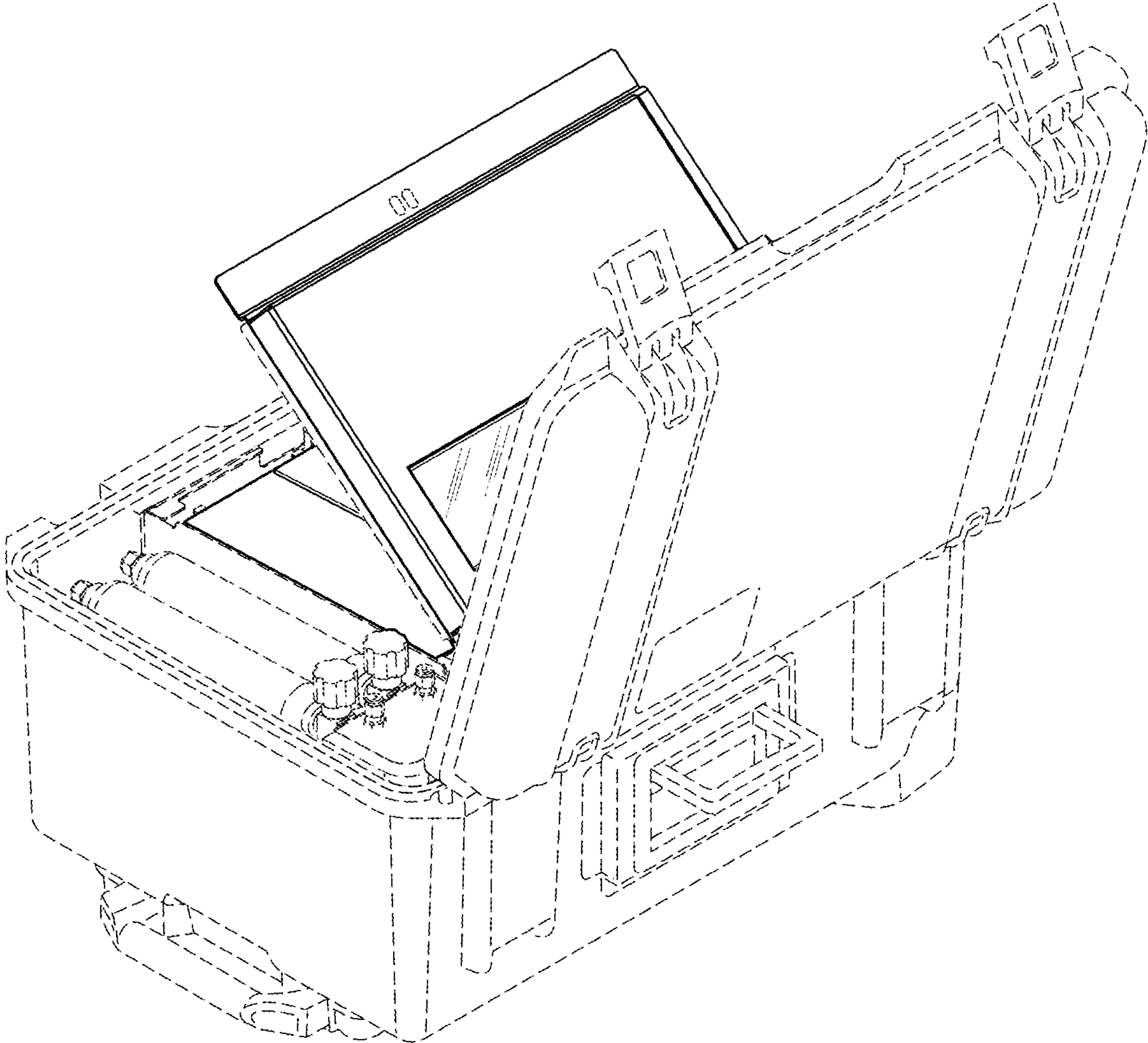


FIG. 8

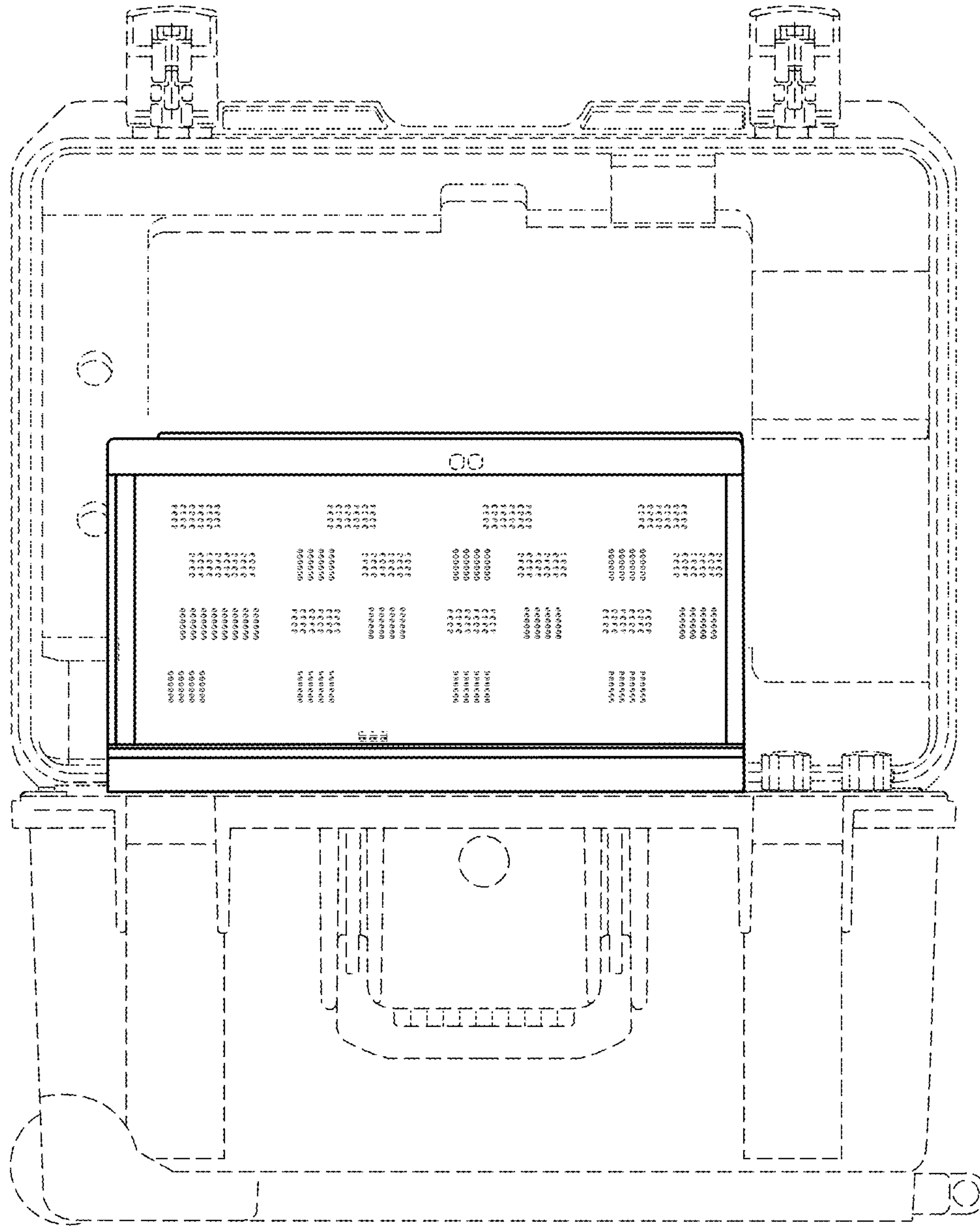


FIG. 9

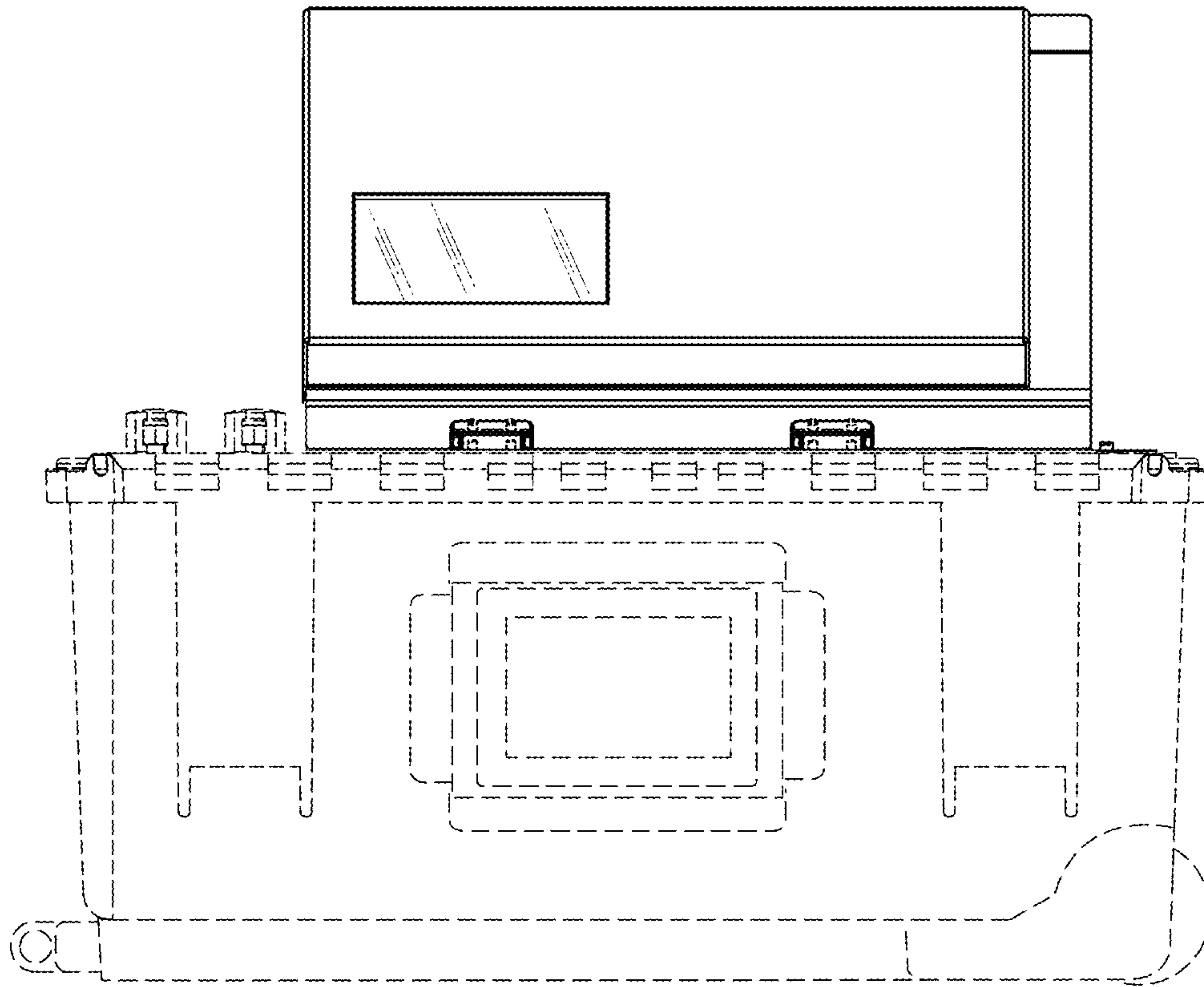


FIG. 10

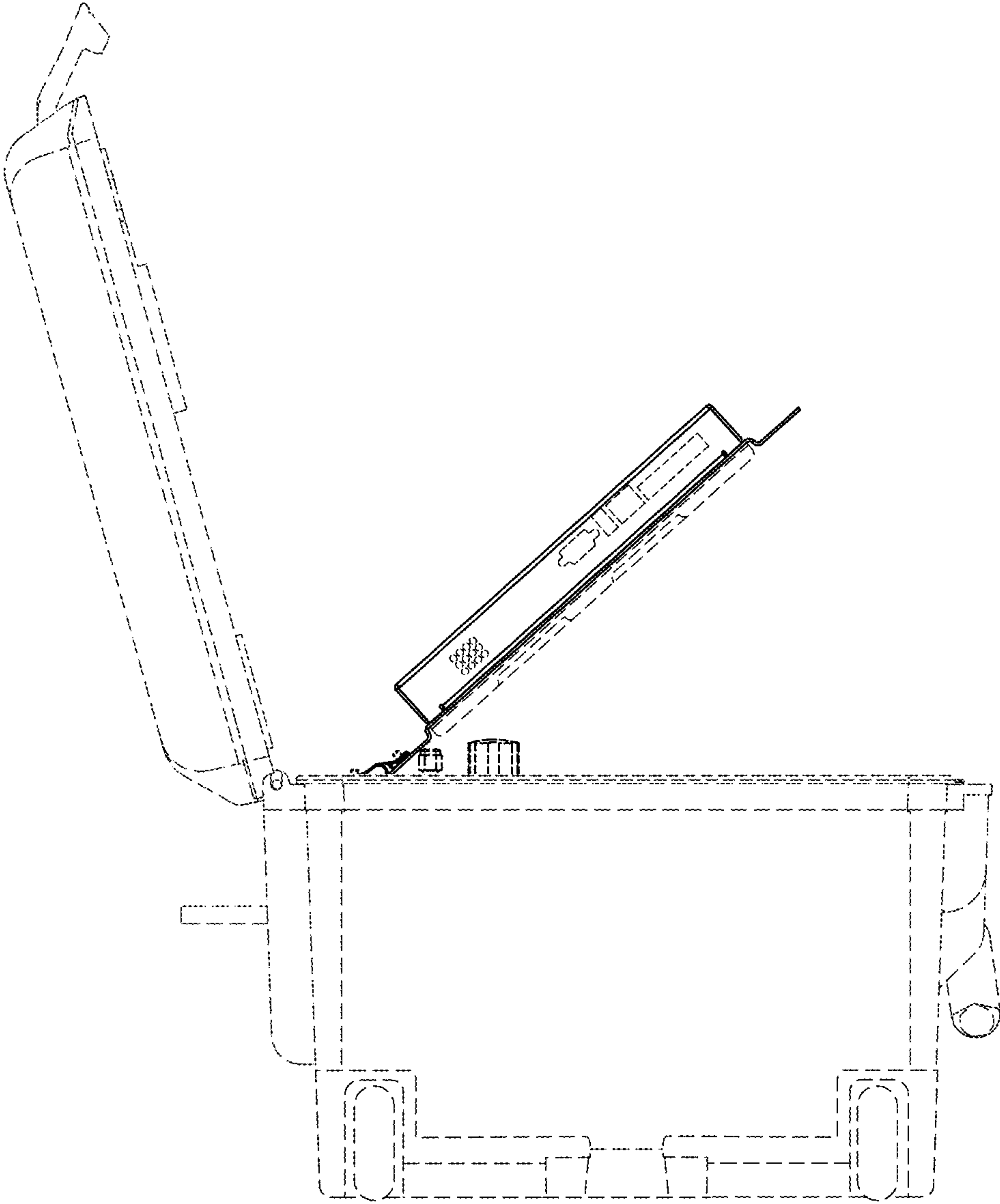


FIG. 11

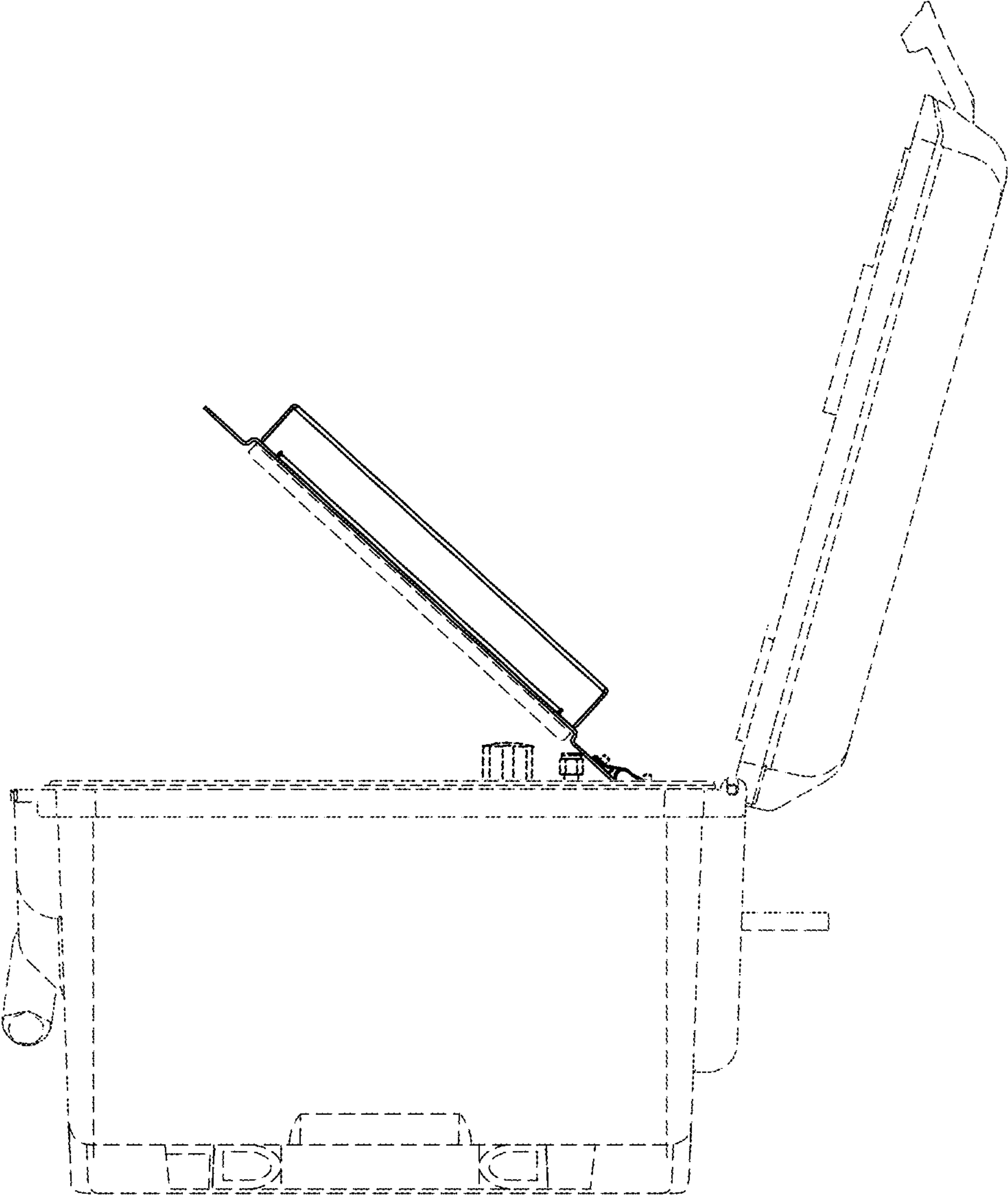


FIG. 12

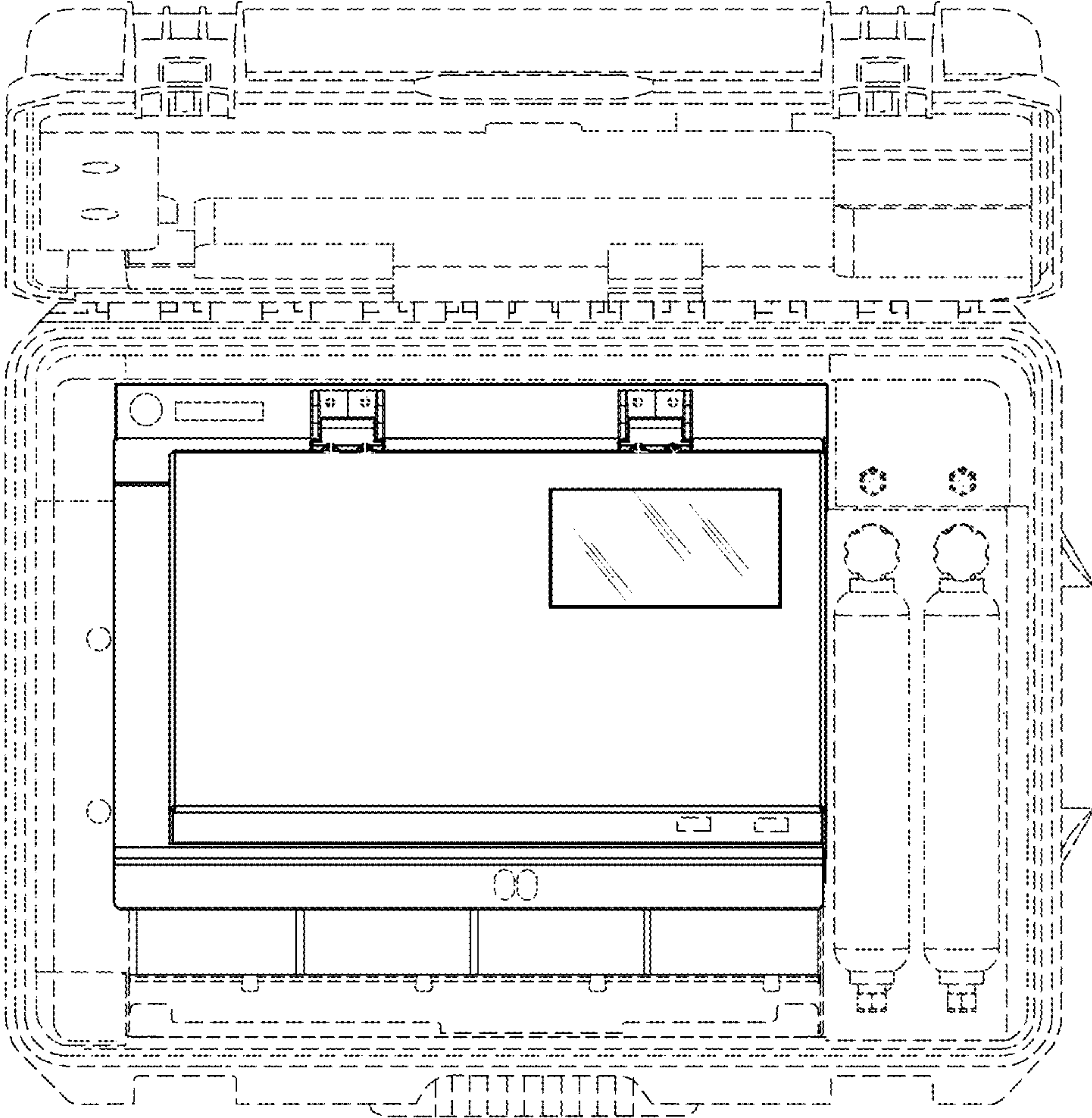


FIG. 13