



US00D884523S

(12) **United States Design Patent**
Seimori et al.

(10) **Patent No.:** **US D884,523 S**

(45) **Date of Patent:** **** May 19, 2020**

(54) **GAS CONCENTRATION DETECTION
SENSOR**

(71) Applicant: **NGK Insulators, Ltd.**, Nagoya-shi,
Aichi-ken (JP)

(72) Inventors: **Tomoya Seimori**, Nagoya (JP); **Yosuke
Adachi**, Nagoya (JP)

(73) Assignee: **NGK INSULATORS, LTD.**, Nagoya
(JP)

(**) Term: **15 Years**

(21) Appl. No.: **29/661,436**

(22) Filed: **Aug. 28, 2018**

(30) **Foreign Application Priority Data**

Mar. 14, 2018 (JP) 2018-005327

Mar. 14, 2018 (JP) 2018-005328

(Continued)

(51) **LOC (12) Cl.** **10-04**

(52) **U.S. Cl.**
USPC **D10/81**

(58) **Field of Classification Search**
USPC D10/81

(Continued)

(56) **References Cited**

U.S. PATENT DOCUMENTS

8,464,573 B2 6/2013 Sekiya et al.

8,806,918 B2* 8/2014 Yonezu G01N 27/4077

73/31.05

(Continued)

Primary Examiner — Antoine Duval Davis

(74) *Attorney, Agent, or Firm* — Mattingly & Malur, PC

(57) **CLAIM**

The ornamental design for a gas concentration detection sensor, as shown and described.

DESCRIPTION

FIG. 1 is an enlarged perspective view of a first embodiment of a gas concentration detection sensor showing our new design;

FIG. 2 is a front view thereof, the back view thereof being a right-and-left reversed image;

FIG. 3 is a top view thereof, the bottom view thereof being a same image;

FIG. 4 is a right view thereof;

FIG. 5 is a left view thereof;

FIG. 6 is an enlarged internal-mechanism-omitted end view thereof indicated in FIG. 2;

FIG. 7 is an enlarged partial internal-mechanism-omitted end view thereof indicated in FIG. 2 and FIG. 5;

FIG. 8 is an enlarged perspective view of a second embodiment of a gas concentration detection sensor showing our new design;

FIG. 9 is a front view thereof;

FIG. 10 is a back view thereof;

FIG. 11 is a top view thereof, the bottom view thereof being a same image;

FIG. 12 is a right view thereof;

FIG. 13 is a left view thereof;

FIG. 14 is an enlarged internal-mechanism-omitted end view thereof indicated in FIG. 9;

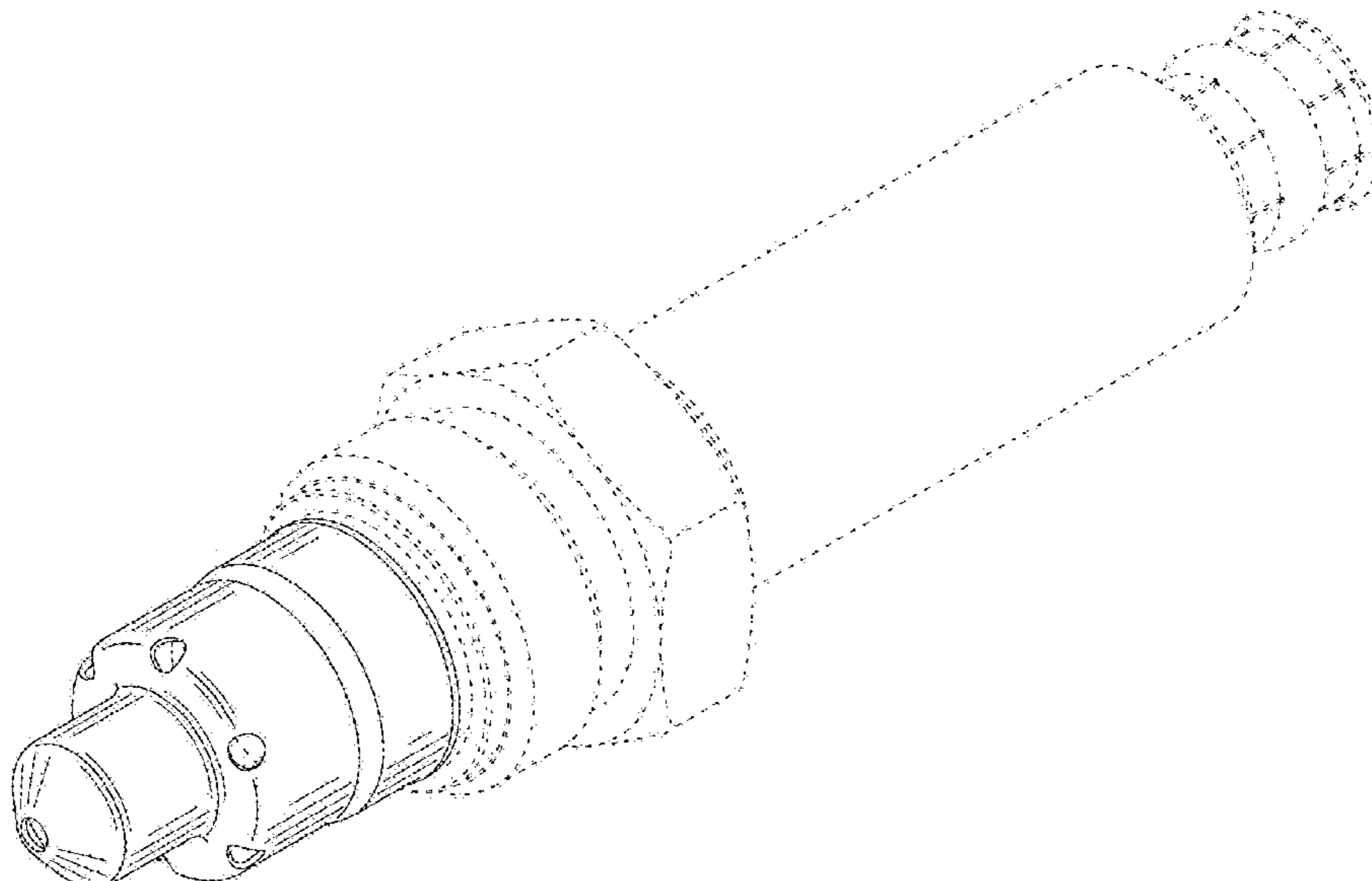
FIG. 15 is an enlarged internal-mechanism-omitted end view thereof indicated in FIG. 9; and,

FIG. 16 is an enlarged partial internal-mechanism-omitted end view thereof indicated in FIG. 9 and FIG. 13.

The broken lines shown in the figures are for illustrative purposes only and form no part of the claimed design.

The dot-dash broken lines shown in the figures are to indicate a boundary between a claimed design and disclaimed portion, and those are not a part of a claimed design or disclaimed portion.

1 Claim, 16 Drawing Sheets



(30) **Foreign Application Priority Data**

Mar. 14, 2018 (JP) 2018-005338
Mar. 14, 2018 (JP) 2018-005341

(58) **Field of Classification Search**

CPC G01D 11/24; G01N 27/16; G01N 27/18;
G01N 27/185; G01N 33/0006; G01N
33/0009-33/0075; G01N 1/24; G01N
1/2205; G01N 1/2273; G01N 2001/2276;
G01N 27/4077; G08B 17/10-17/117

See application file for complete search history.

(56) **References Cited**

U.S. PATENT DOCUMENTS

9,228,987 B2 * 1/2016 Shimazaki G01N 27/4077
D755,655 S * 5/2016 Scott D10/81
9,335,312 B2 * 5/2016 Kato G01N 27/4078
D787,903 S * 5/2017 Atwell D8/14
9,714,895 B2 * 7/2017 Landkammer G01N 15/0656
9,759,586 B2 * 9/2017 Mori G01N 27/4077
10,054,573 B2 * 8/2018 Isaka G01N 27/4077
D841,499 S * 2/2019 Drewes D10/81

* cited by examiner

Fig.1

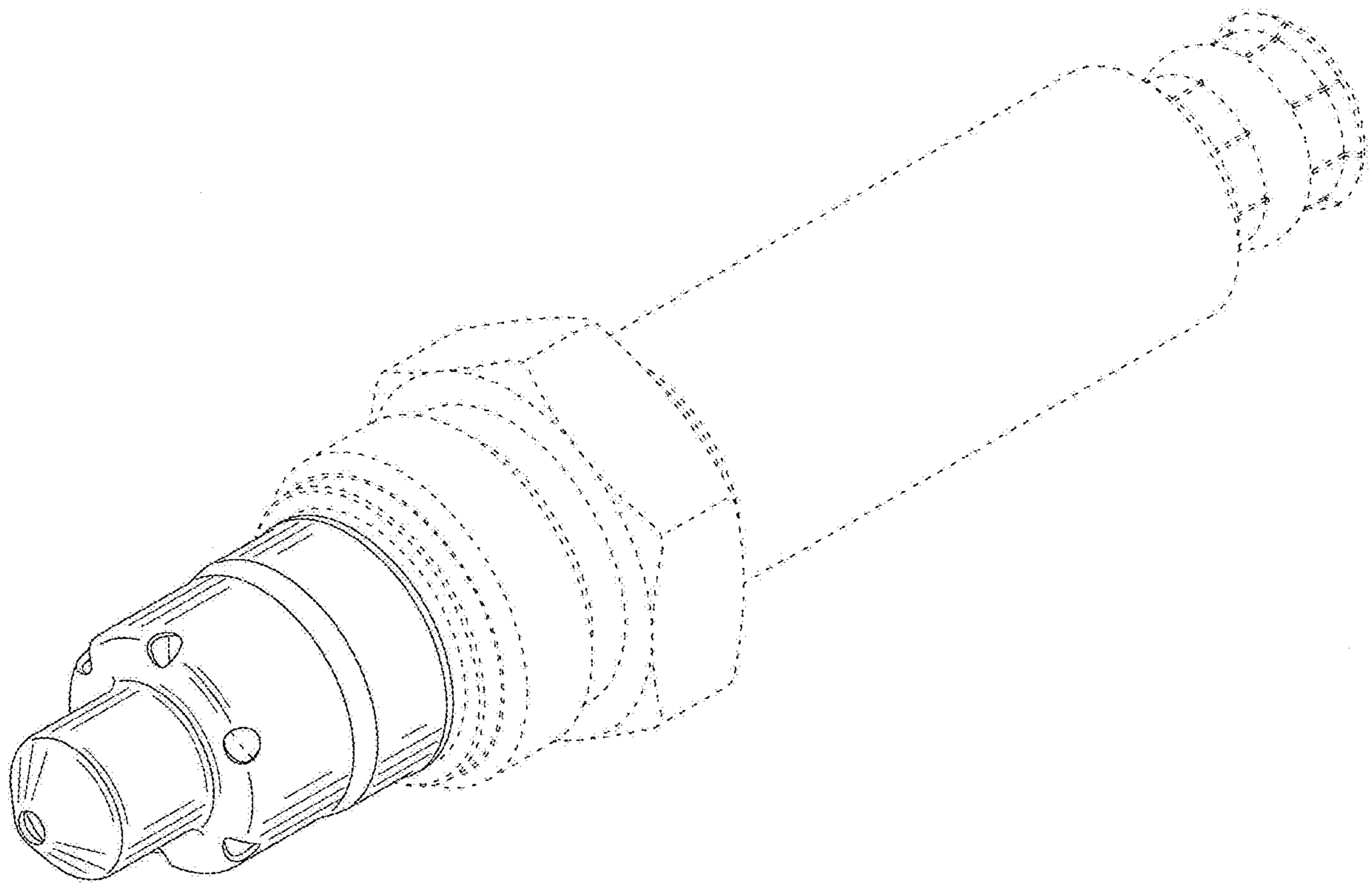


Fig. 2

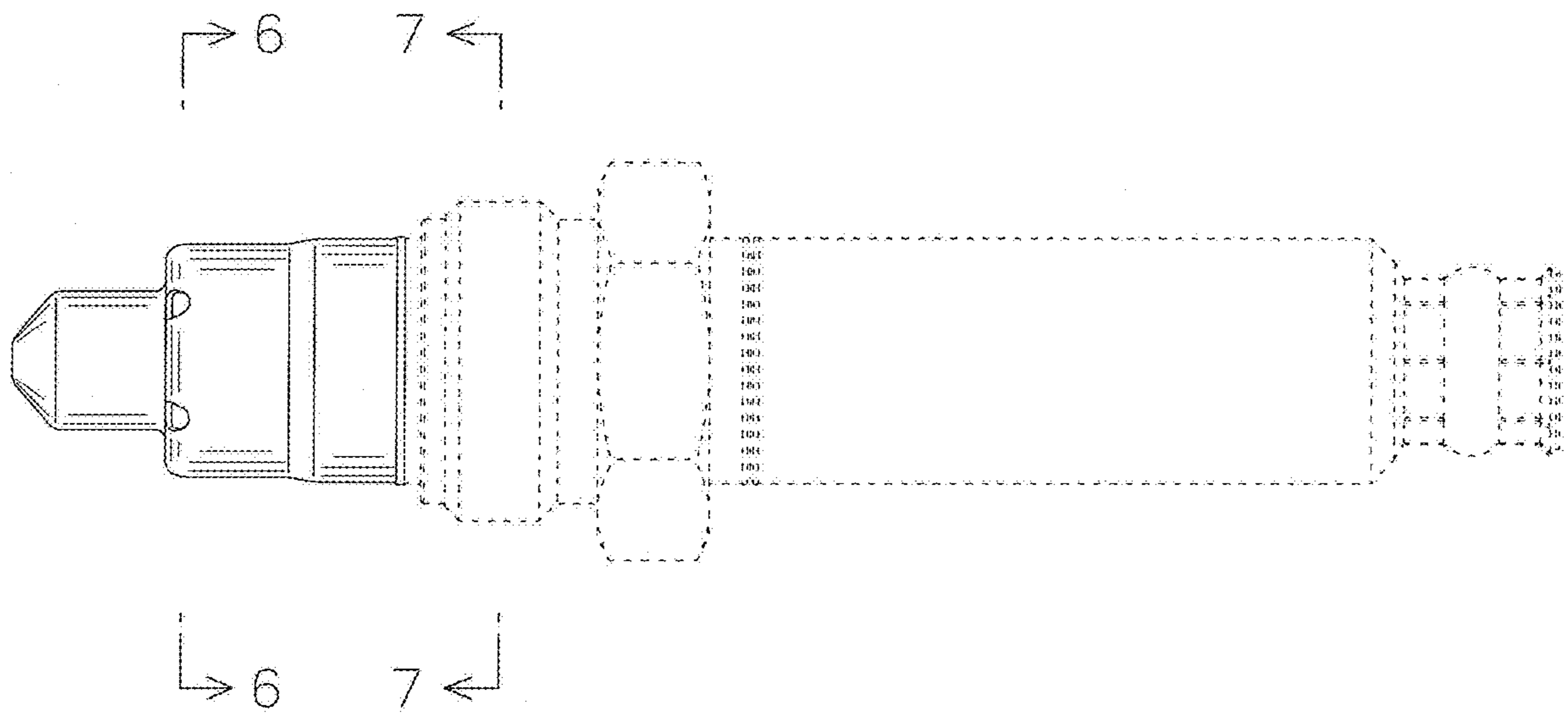


Fig.3

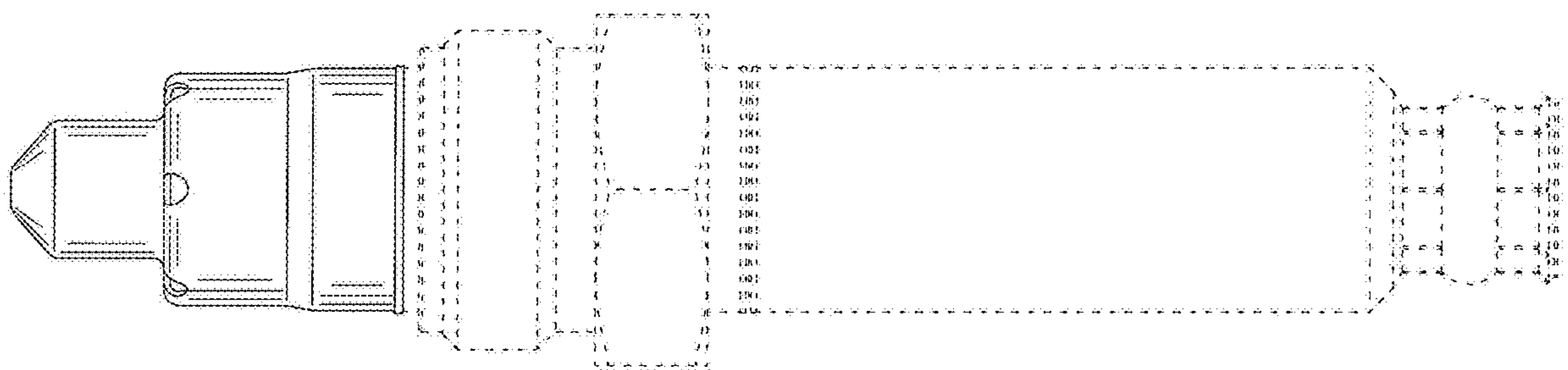


Fig. 4

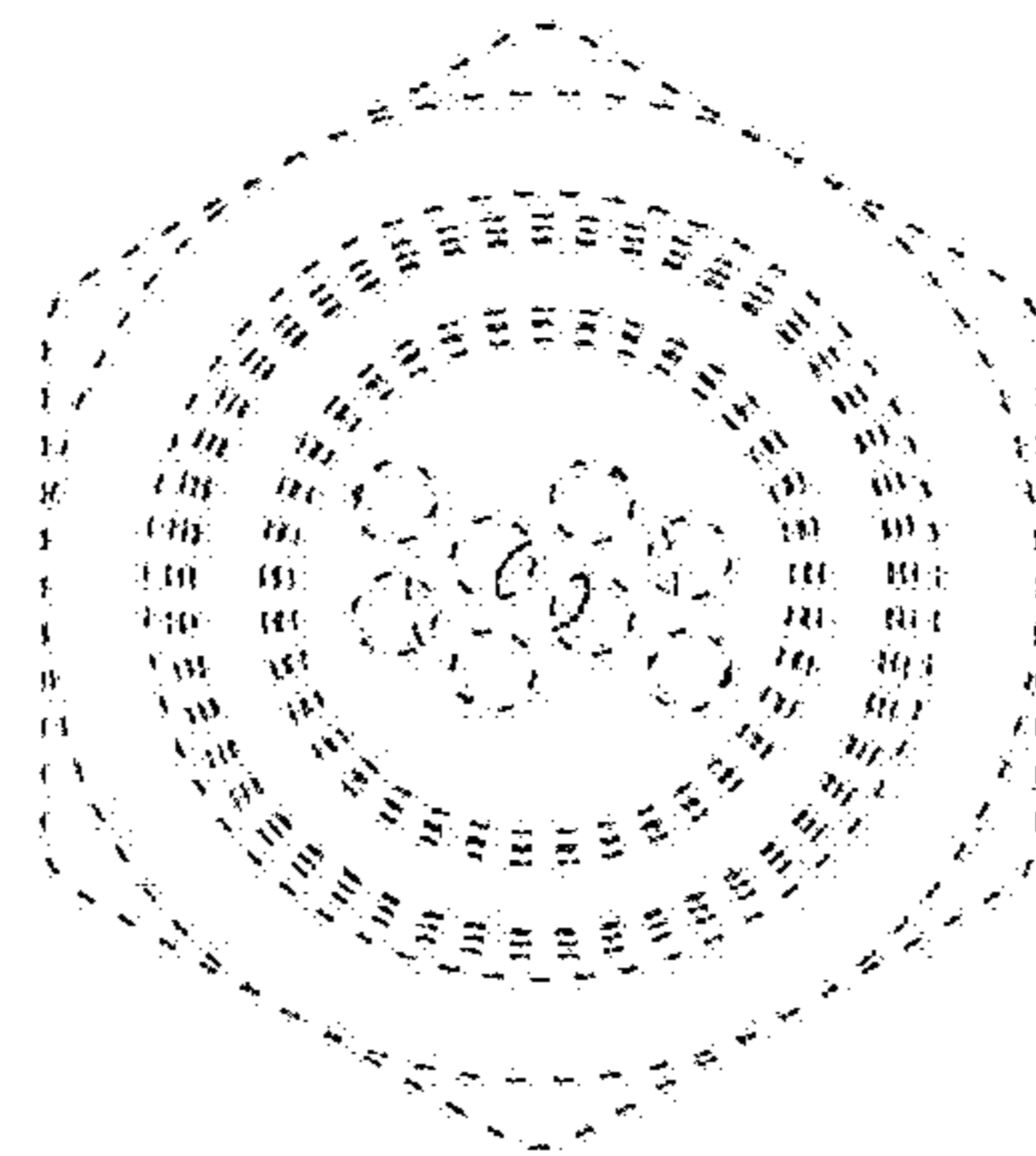


Fig. 5

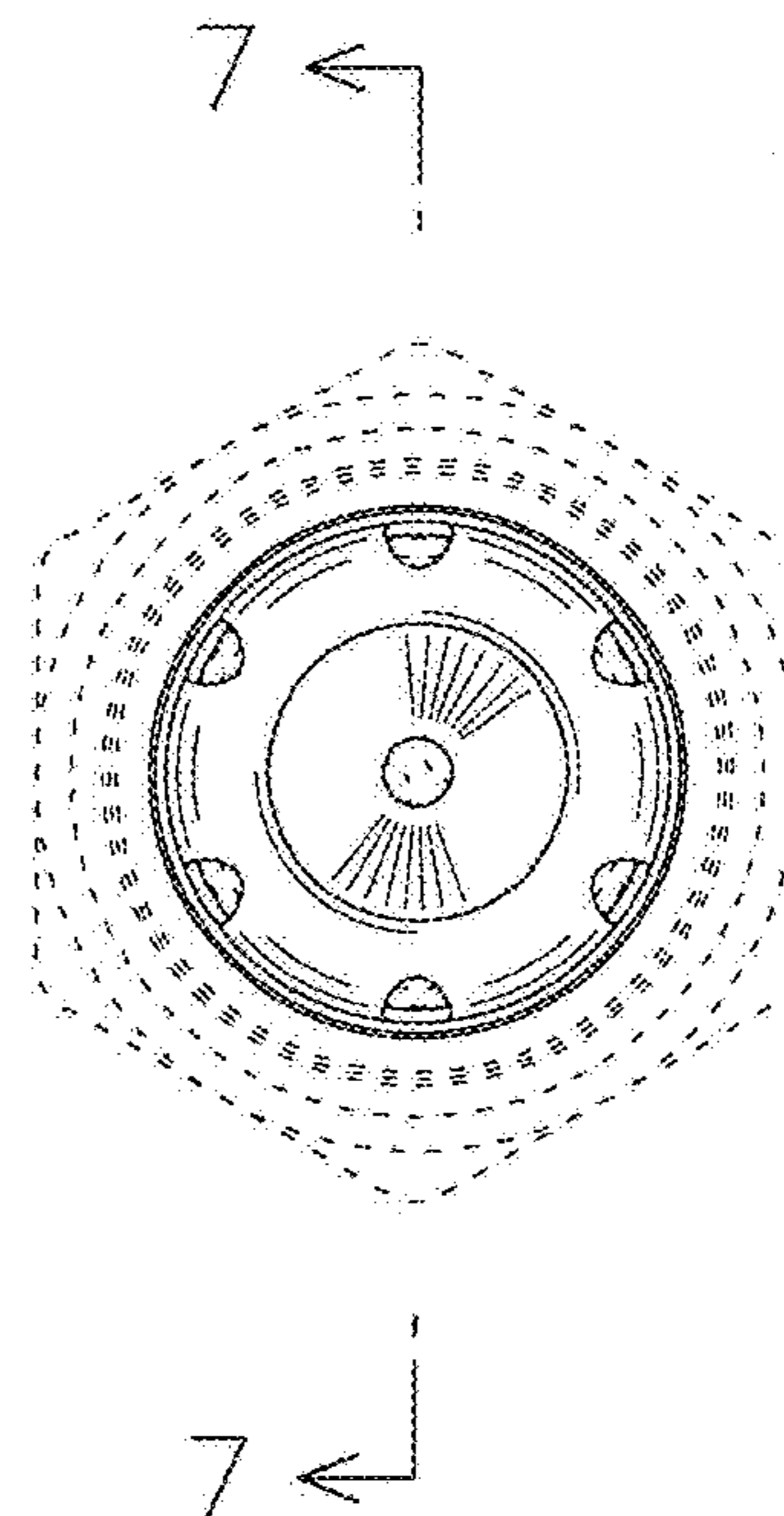


Fig. 6

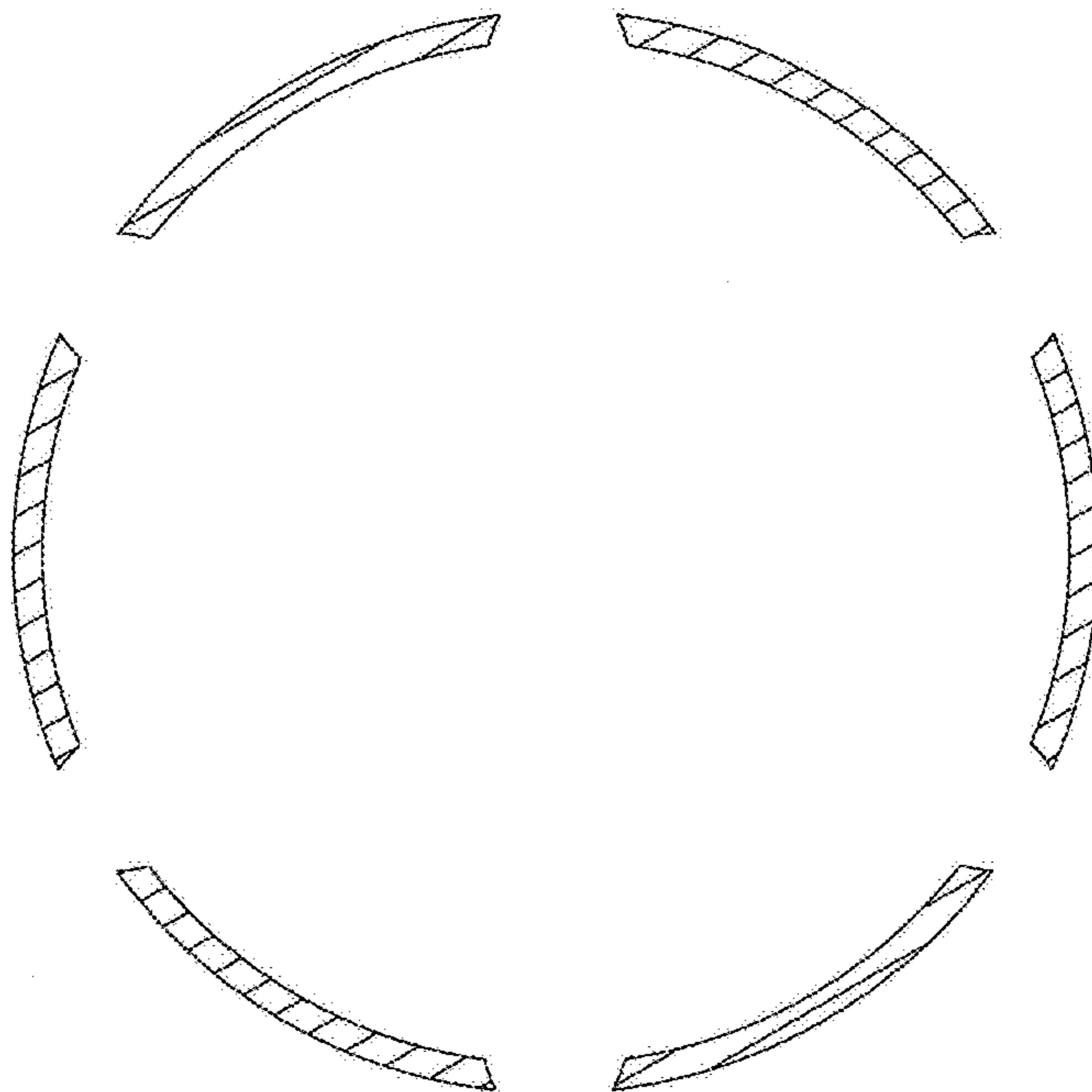


Fig. 7

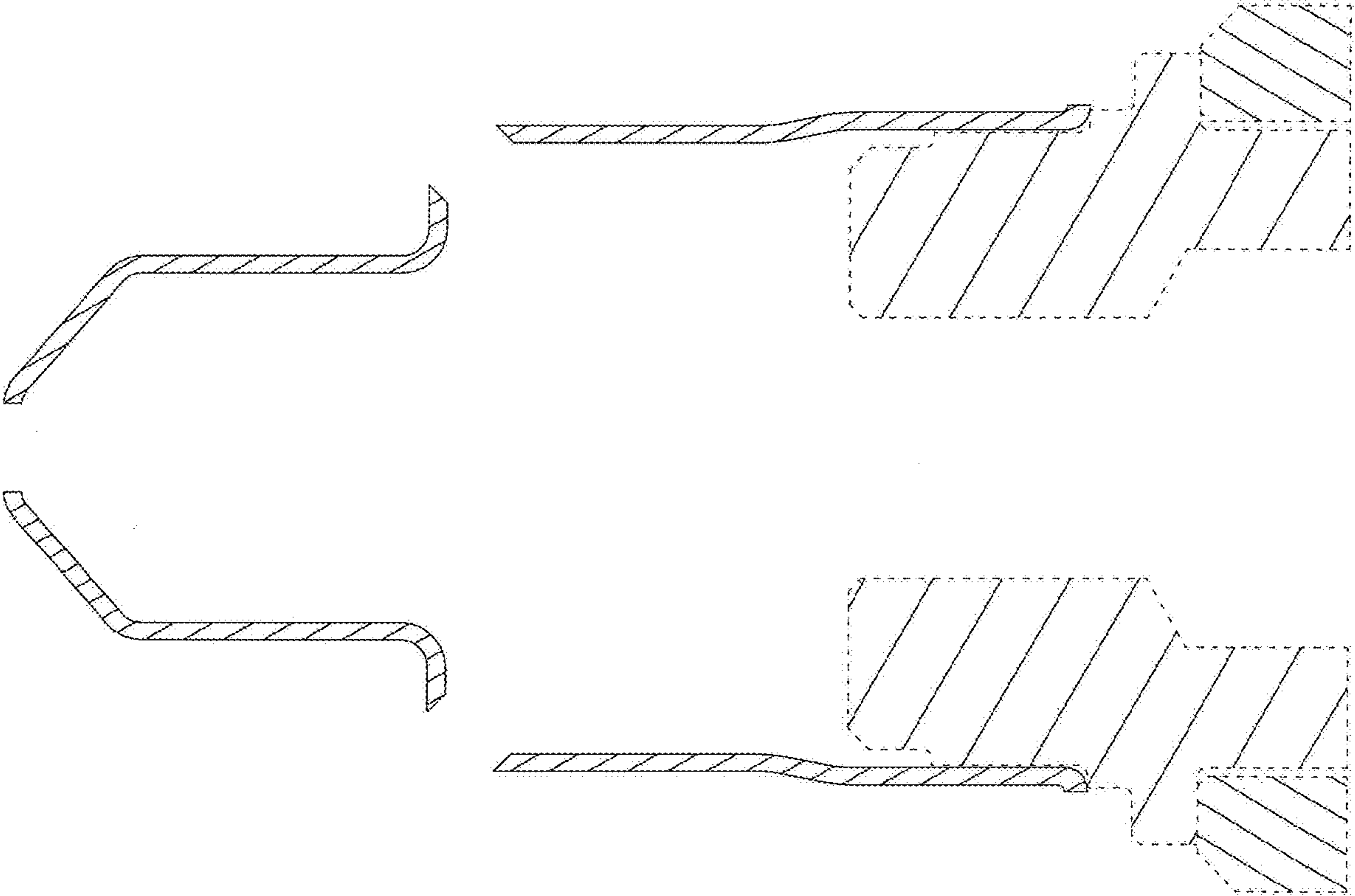


Fig.8

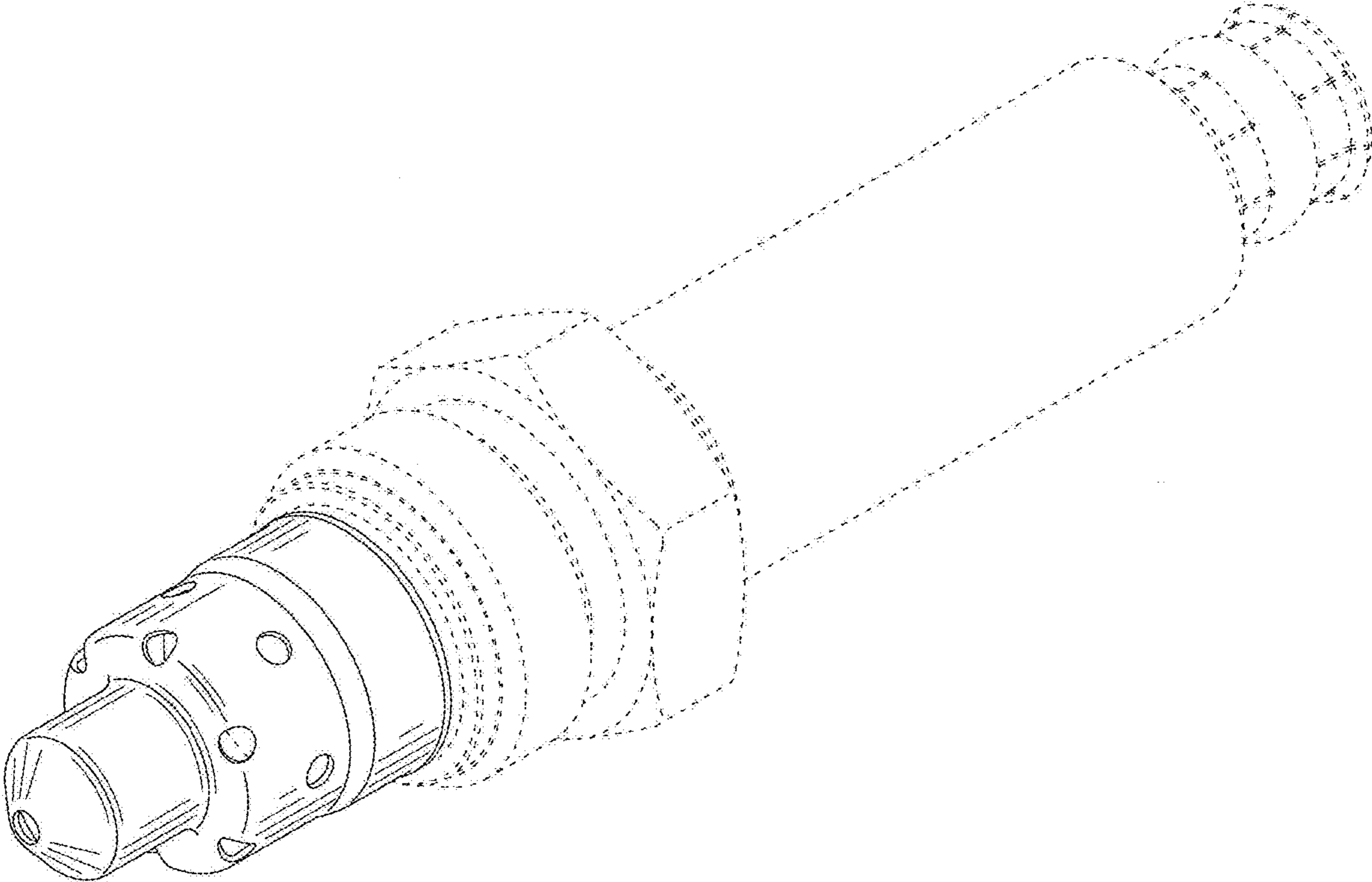


Fig. 9

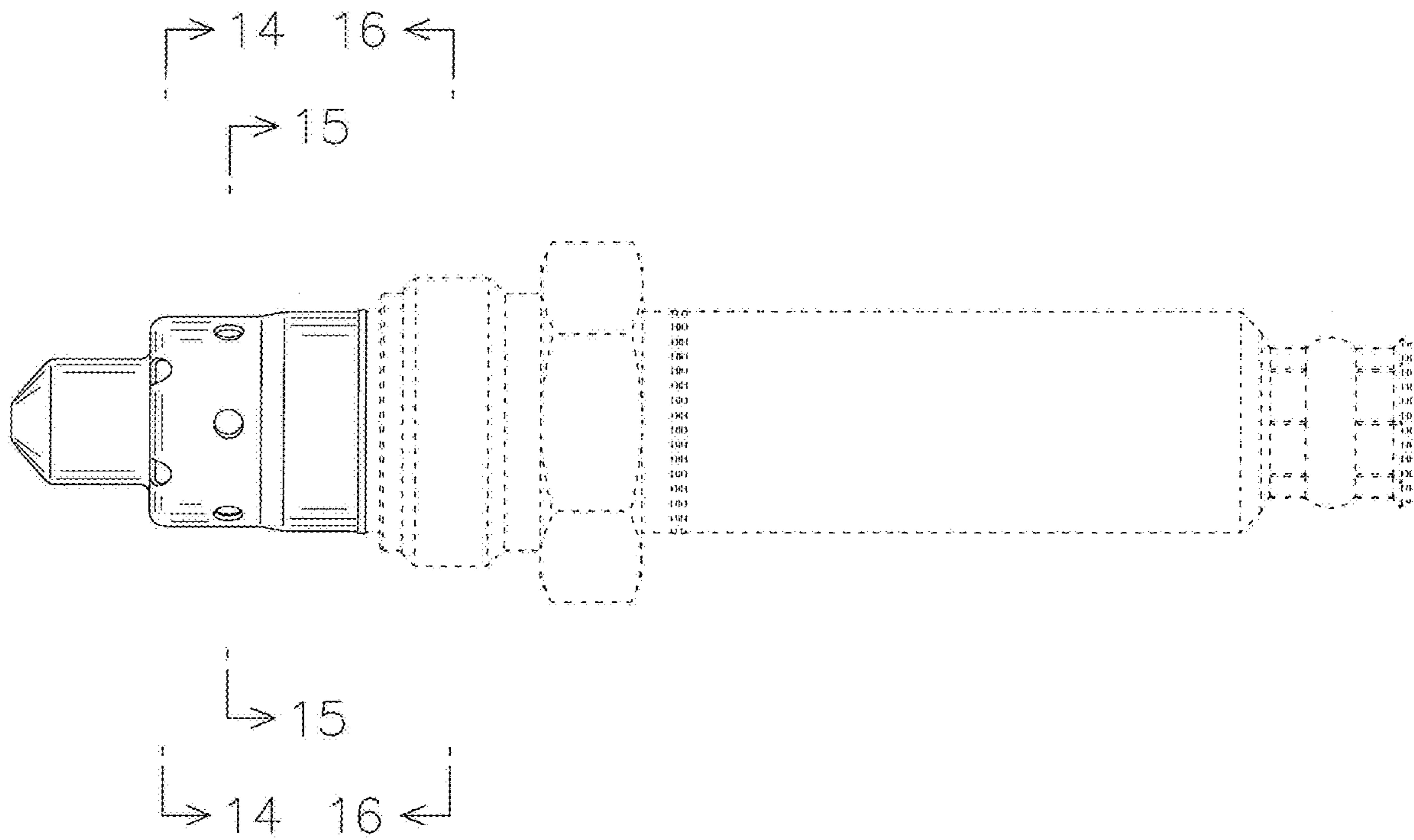


Fig.10

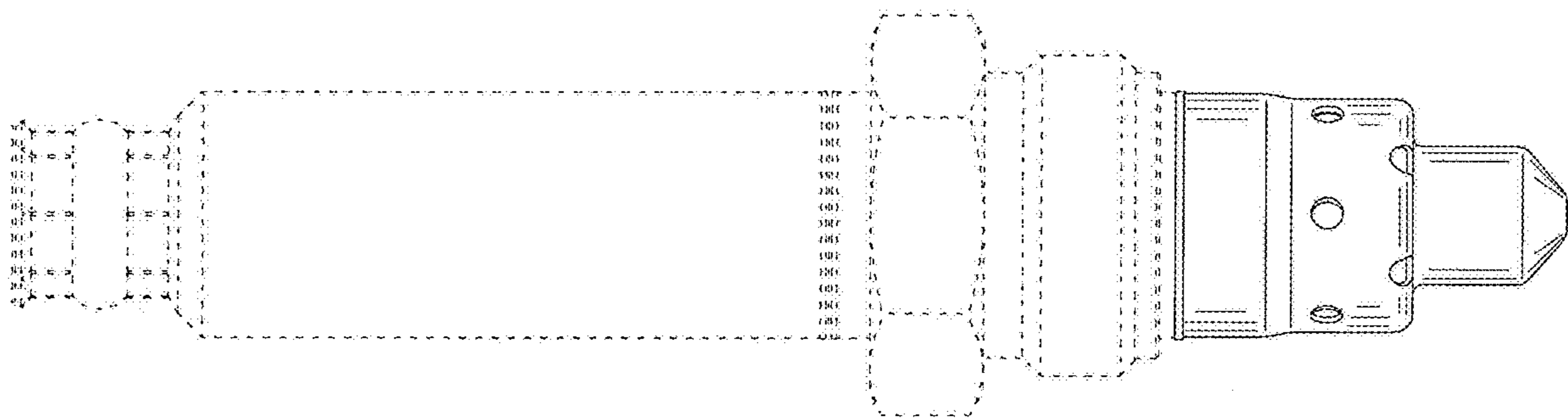


Fig.11

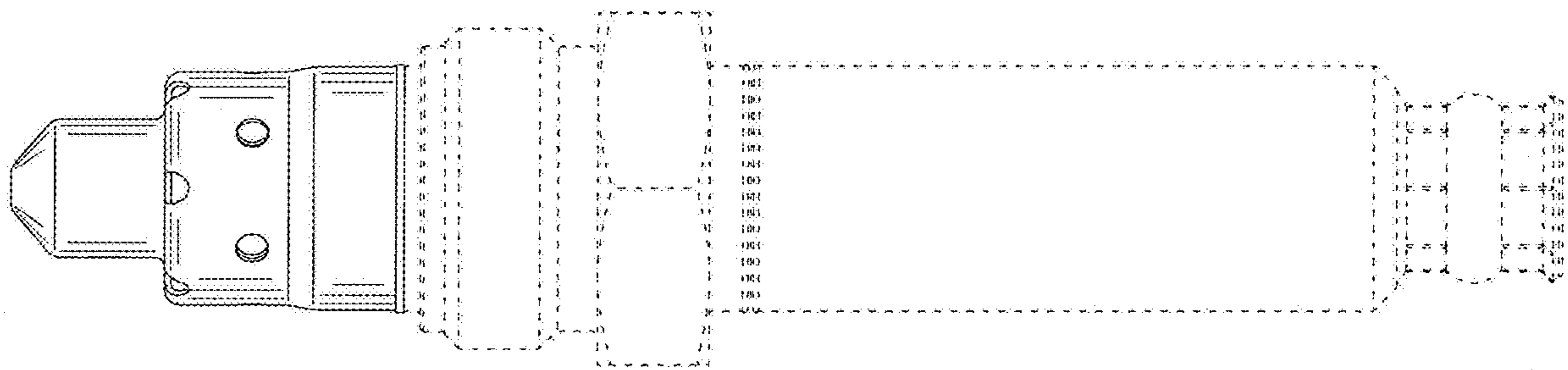


Fig.12

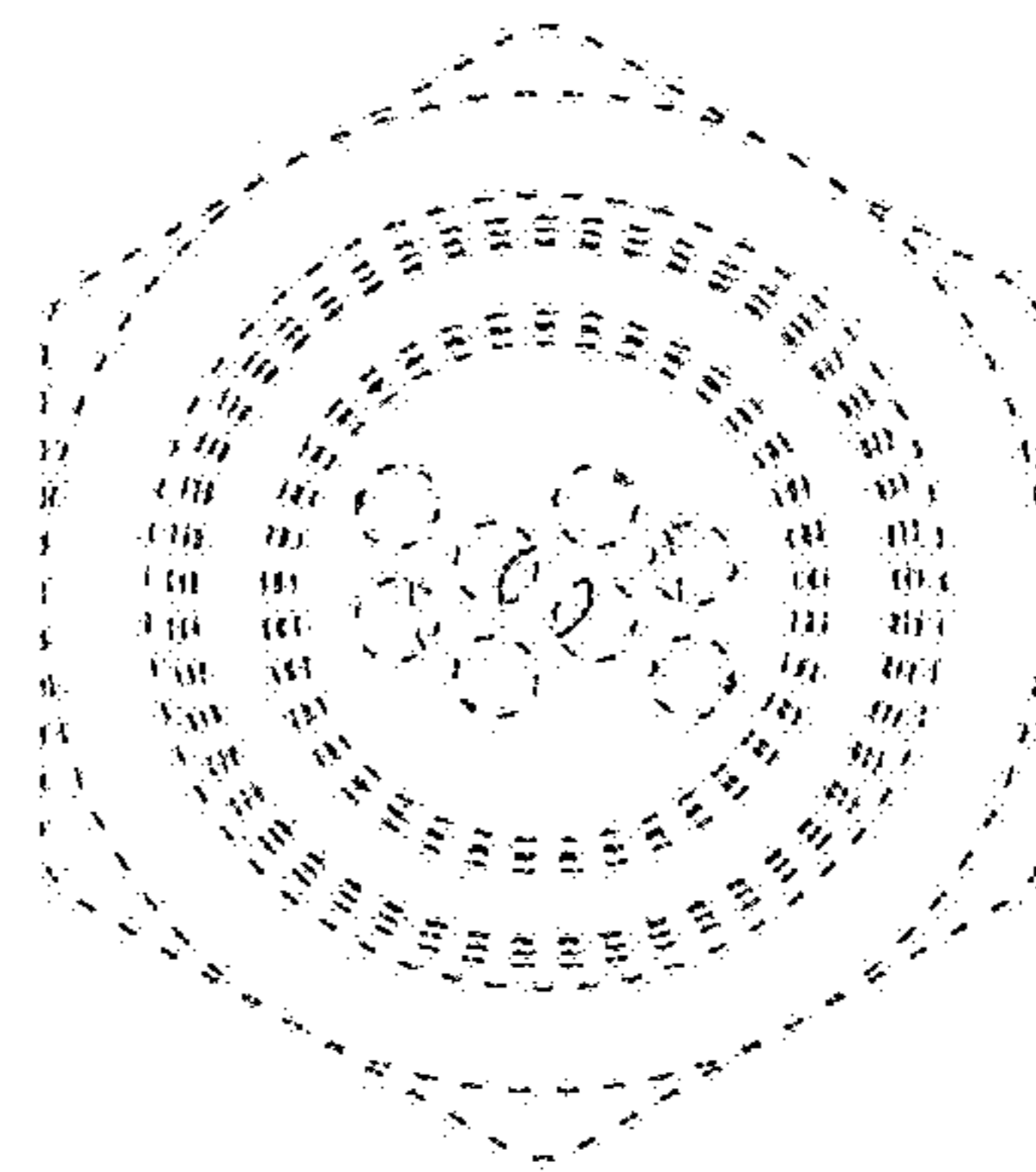


Fig.13

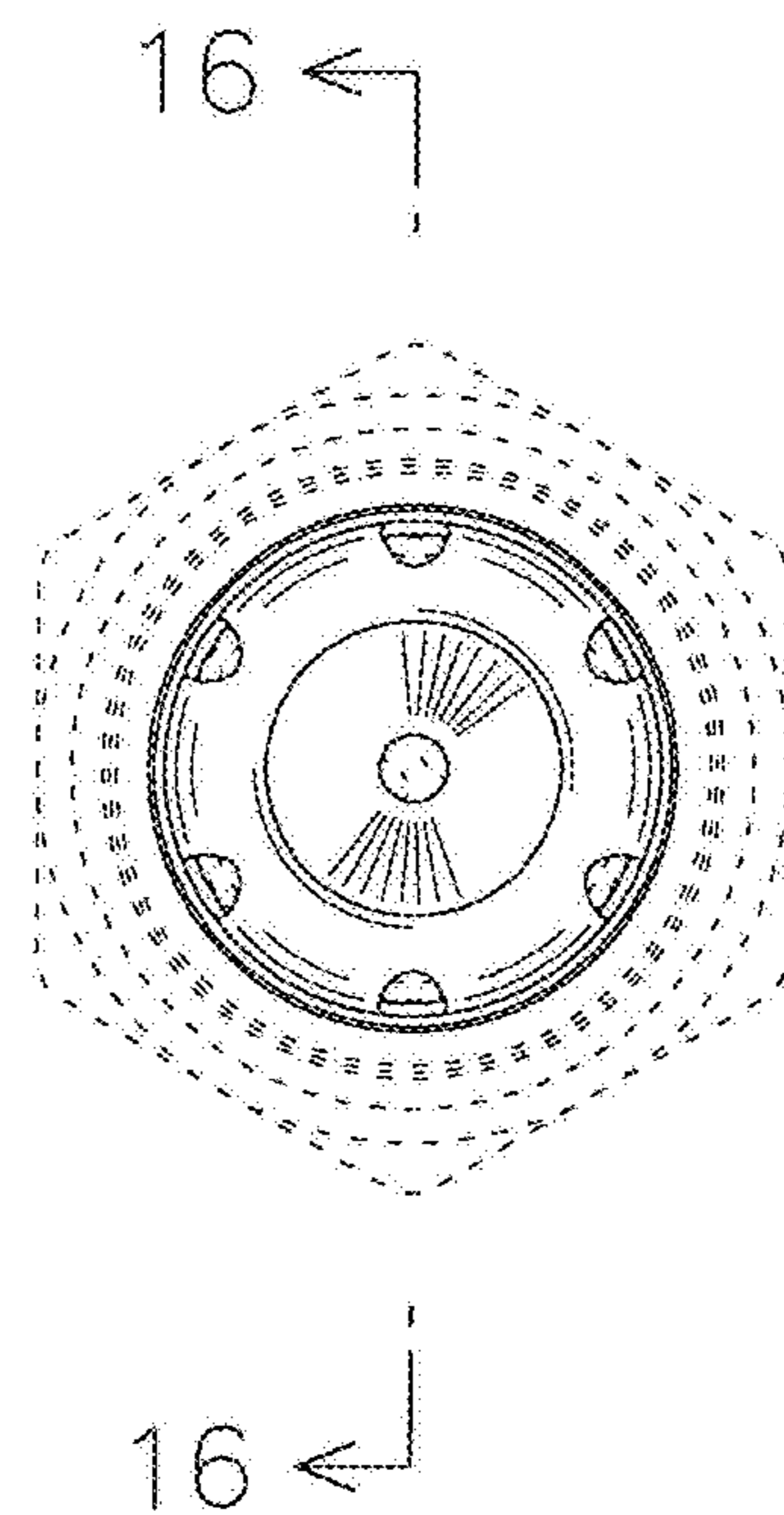


Fig.14

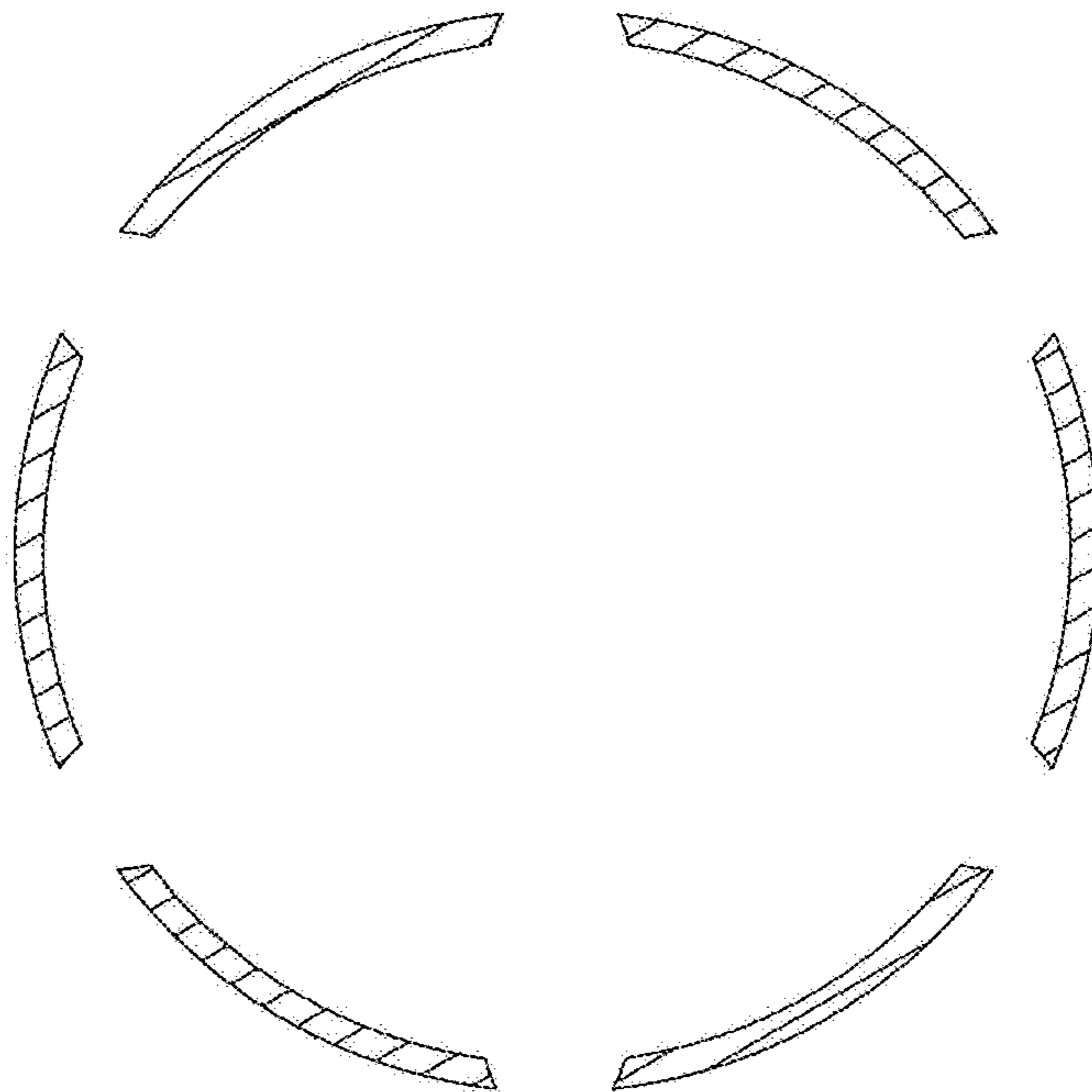


Fig.15

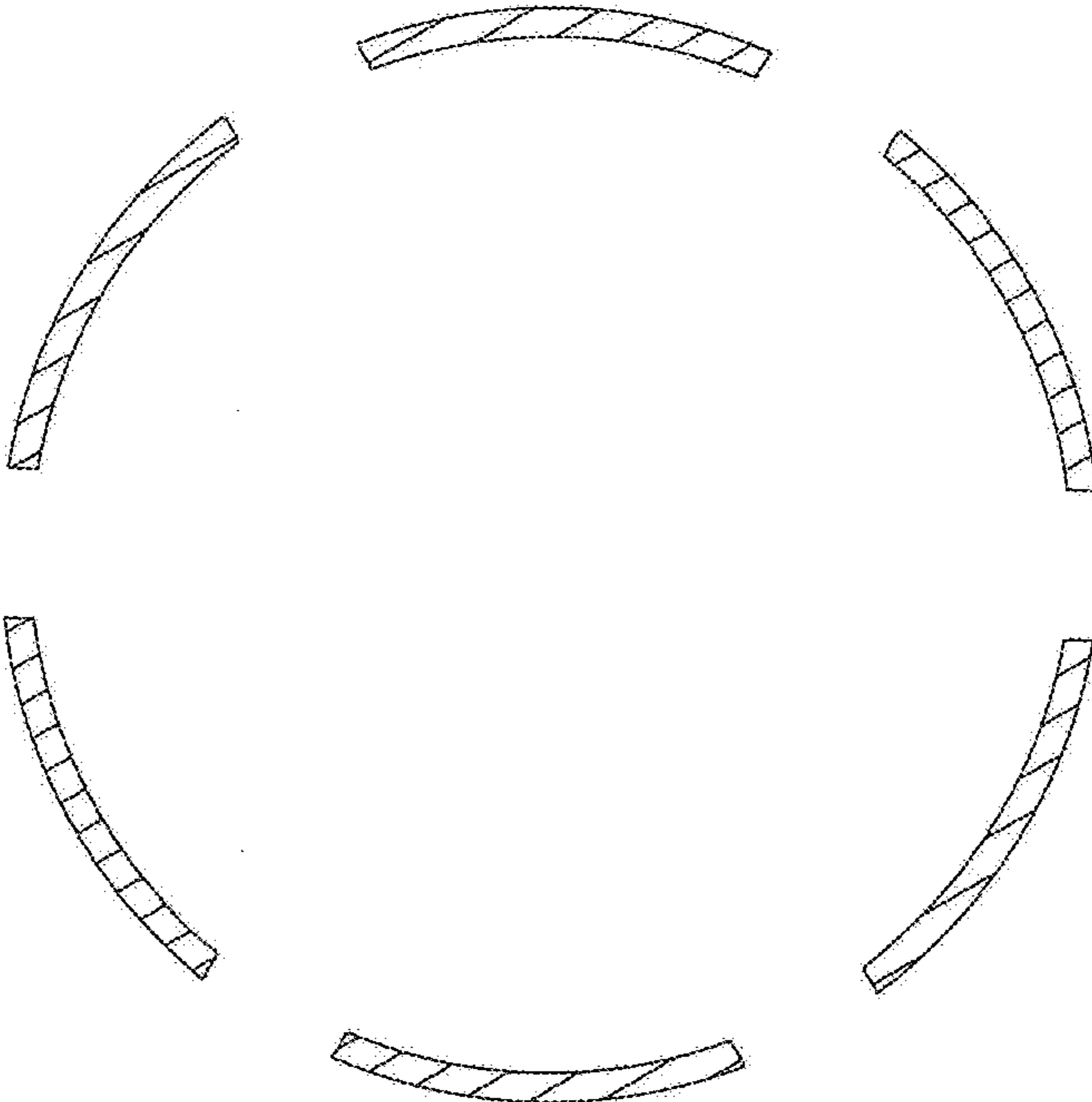


Fig.16

