



US00D884514S

(12) **United States Design Patent**  
**Jung**

(10) **Patent No.:** **US D884,514 S**

(45) **Date of Patent:** **\*\* May 19, 2020**

(54) **MEASURING TAPE HOUSING WITH BOTTLE OPENER**

2003/1079; G01B 2003/1041; G01B 2003/1084; G07B 3/10

See application file for complete search history.

(71) Applicant: **Stanley Black & Decker, Inc.**, New Britain, CT (US)

(56) **References Cited**

(72) Inventor: **Jibum Jung**, Farmington, CT (US)

U.S. PATENT DOCUMENTS

(73) Assignee: **Stanley Black & Decker, Inc.**, New Britain, CT (US)

D803,711 S \* 11/2017 Jost ..... D10/72  
D812,500 S \* 3/2018 Lopez ..... D10/72

\* cited by examiner

(\*\*) Term: **15 Years**

*Primary Examiner* — Antoine Duval Davis

(21) Appl. No.: **29/674,906**

(74) *Attorney, Agent, or Firm* — Gabriel A. Haboubi

(22) Filed: **Dec. 27, 2018**

(57) **CLAIM**

The ornamental design for a measuring tape housing with bottle opener, as shown and described.

(51) **LOC (12) Cl.** ..... **10-04**

(52) **U.S. Cl.**

**DESCRIPTION**

USPC ..... **D10/72**

(58) **Field of Classification Search**

USPC ..... D10/72

CPC ..... G01B 3/10; G01B 3/1002; G01B 3/1041; G01B 2003/1043; G01B 2003/1046; G01B 2003/1048; G01B 2003/1051; G01B 2003/1053–2003/1097; G01B 3/1082; G01B 3/1056; G01B 3/563; G01B 3/566; G01B 3/1071; G01B 2003/1089; G01B 2003/1092; G01B

FIG. 1 is a top perspective view of my new design.

FIG. 2 is a left side view thereof.

FIG. 3 is a top view thereof.

FIG. 4 is a right side view thereof.

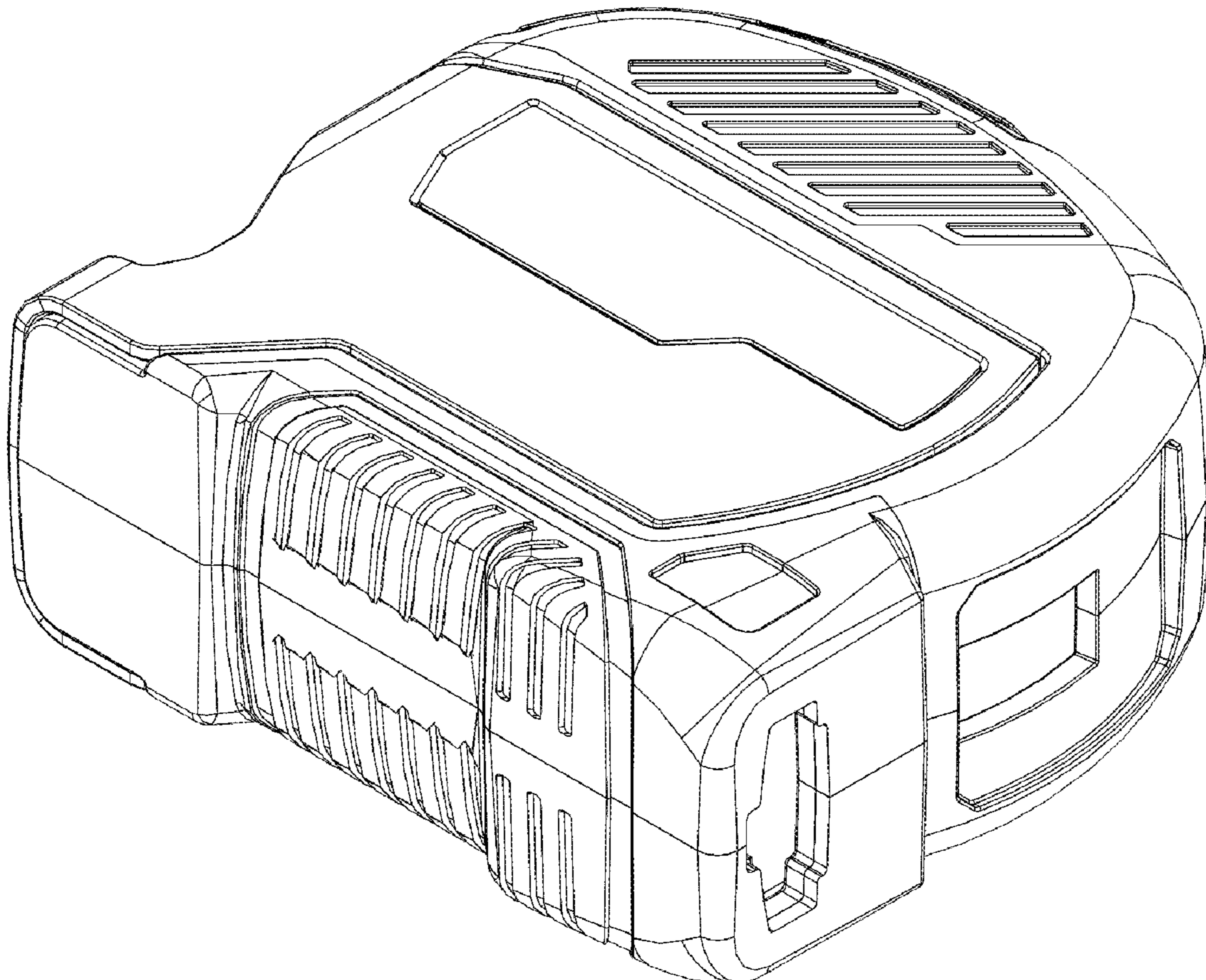
FIG. 5 is a bottom view thereof.

FIG. 6 is a rear view thereof.

FIG. 7 is a front view thereof; and,

FIG. 8 is a bottom perspective view thereof.

**1 Claim, 8 Drawing Sheets**



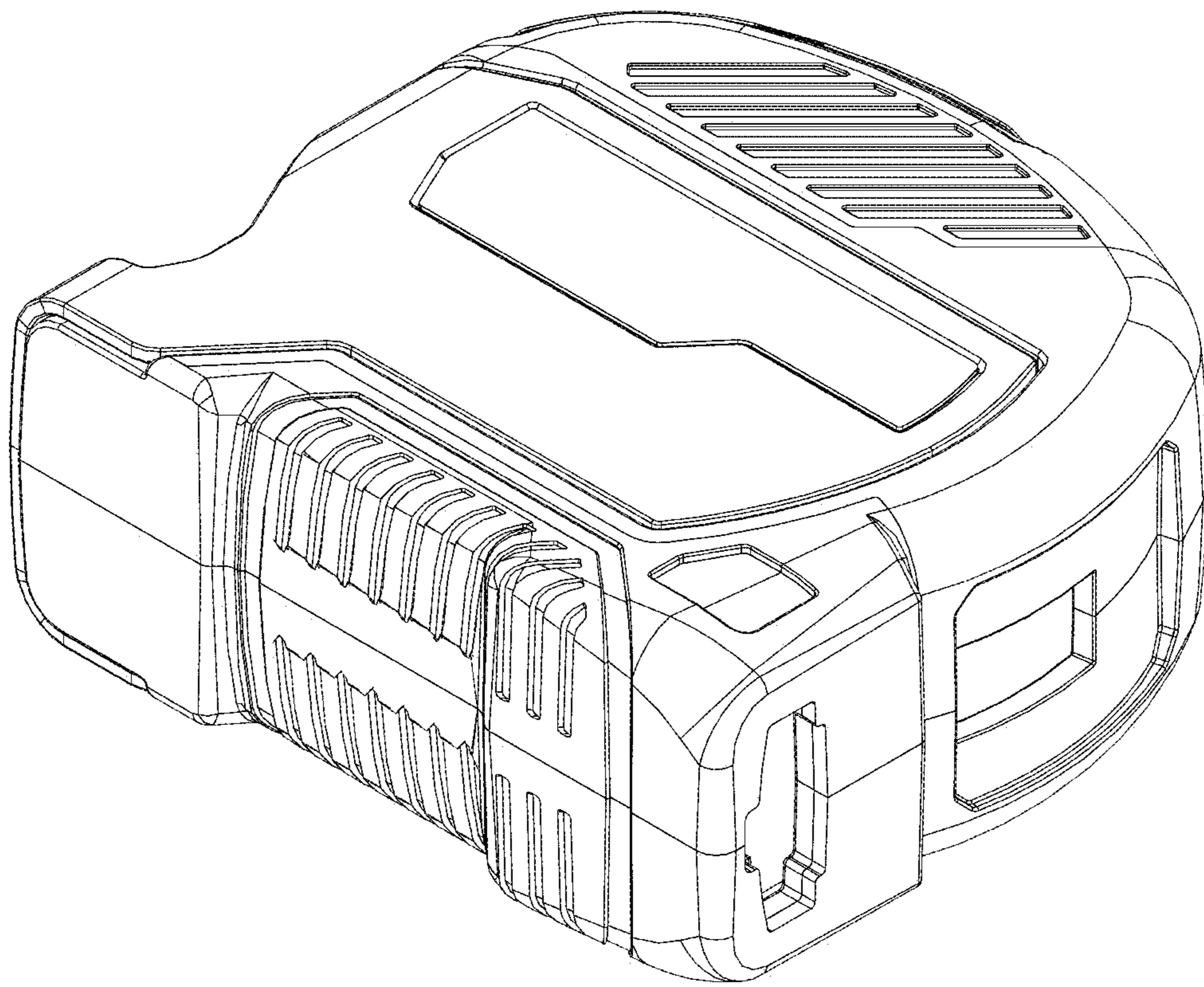


FIG. 1

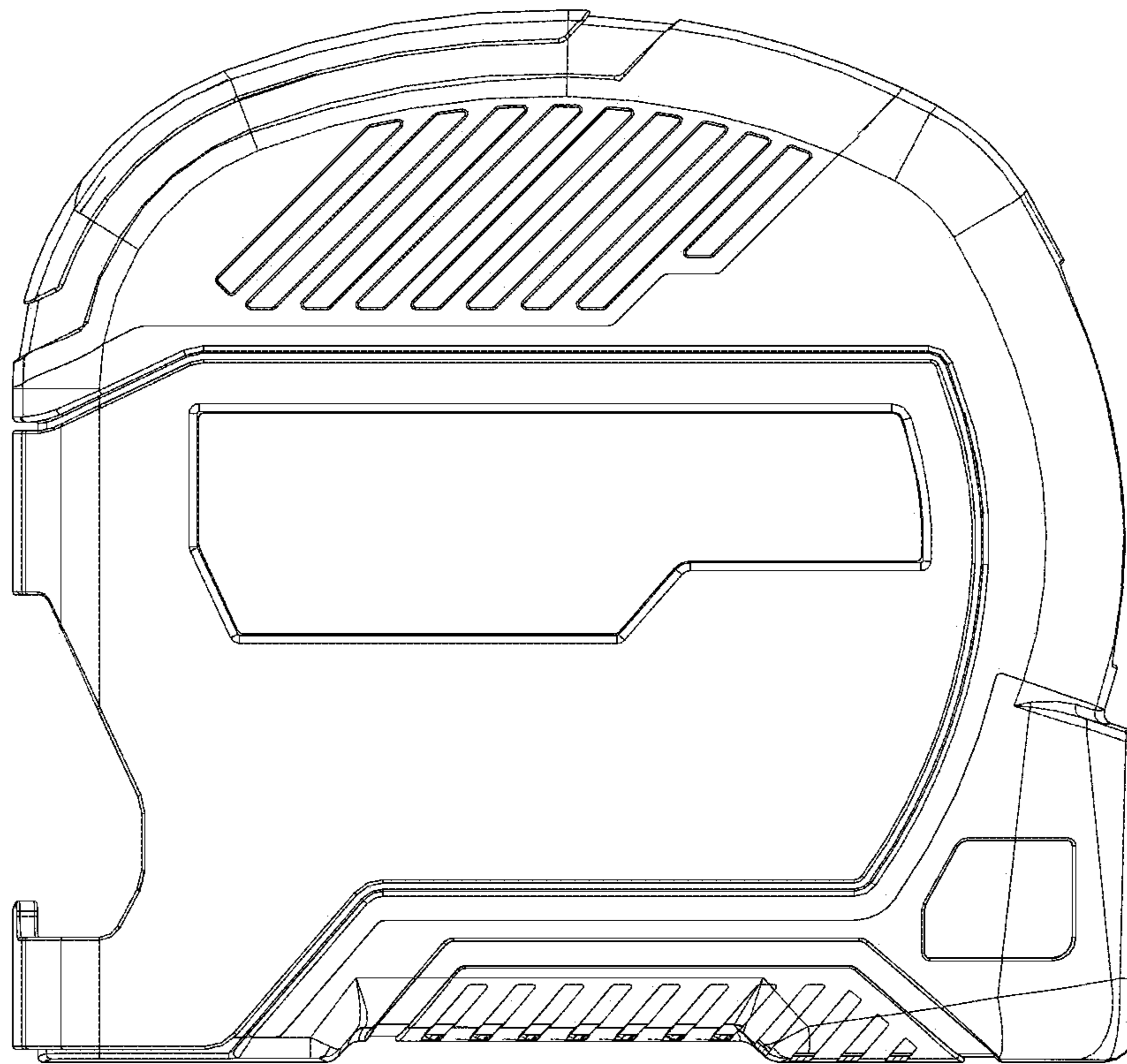


FIG. 2

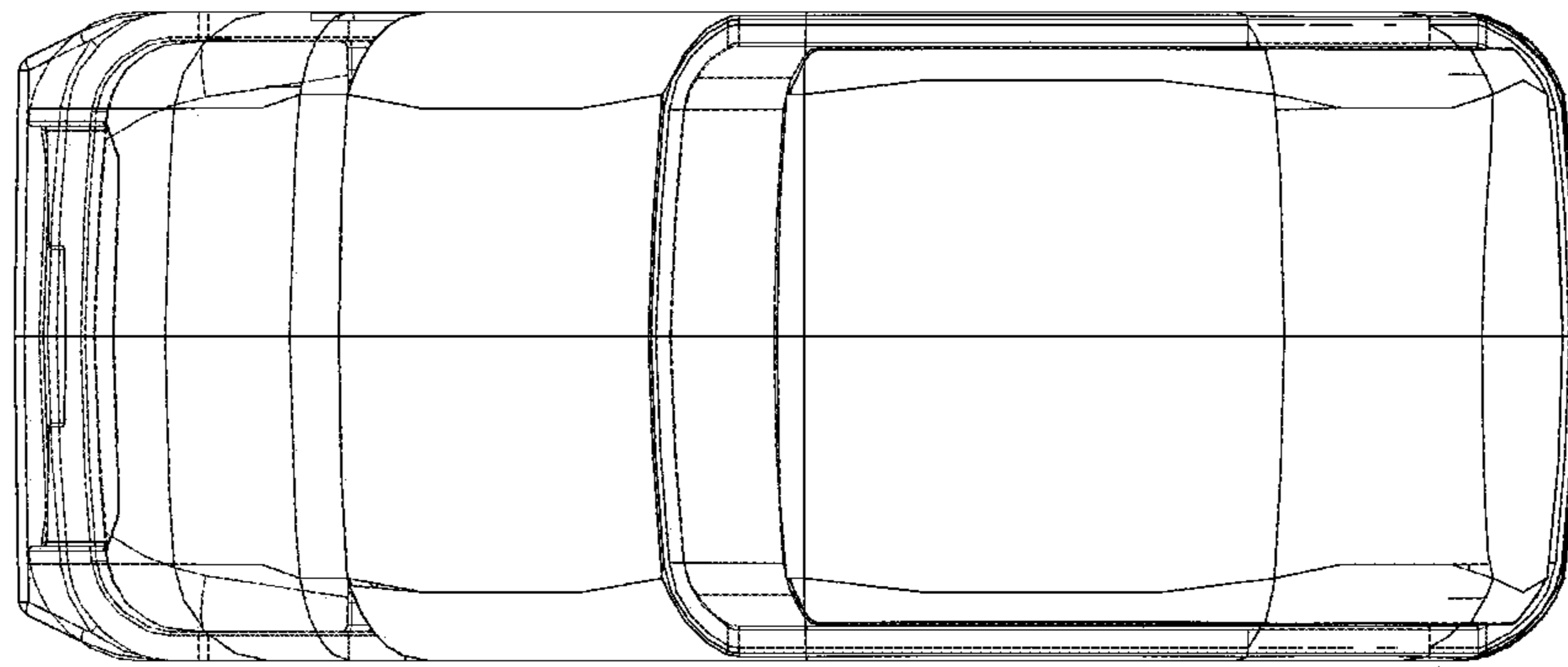


FIG. 3



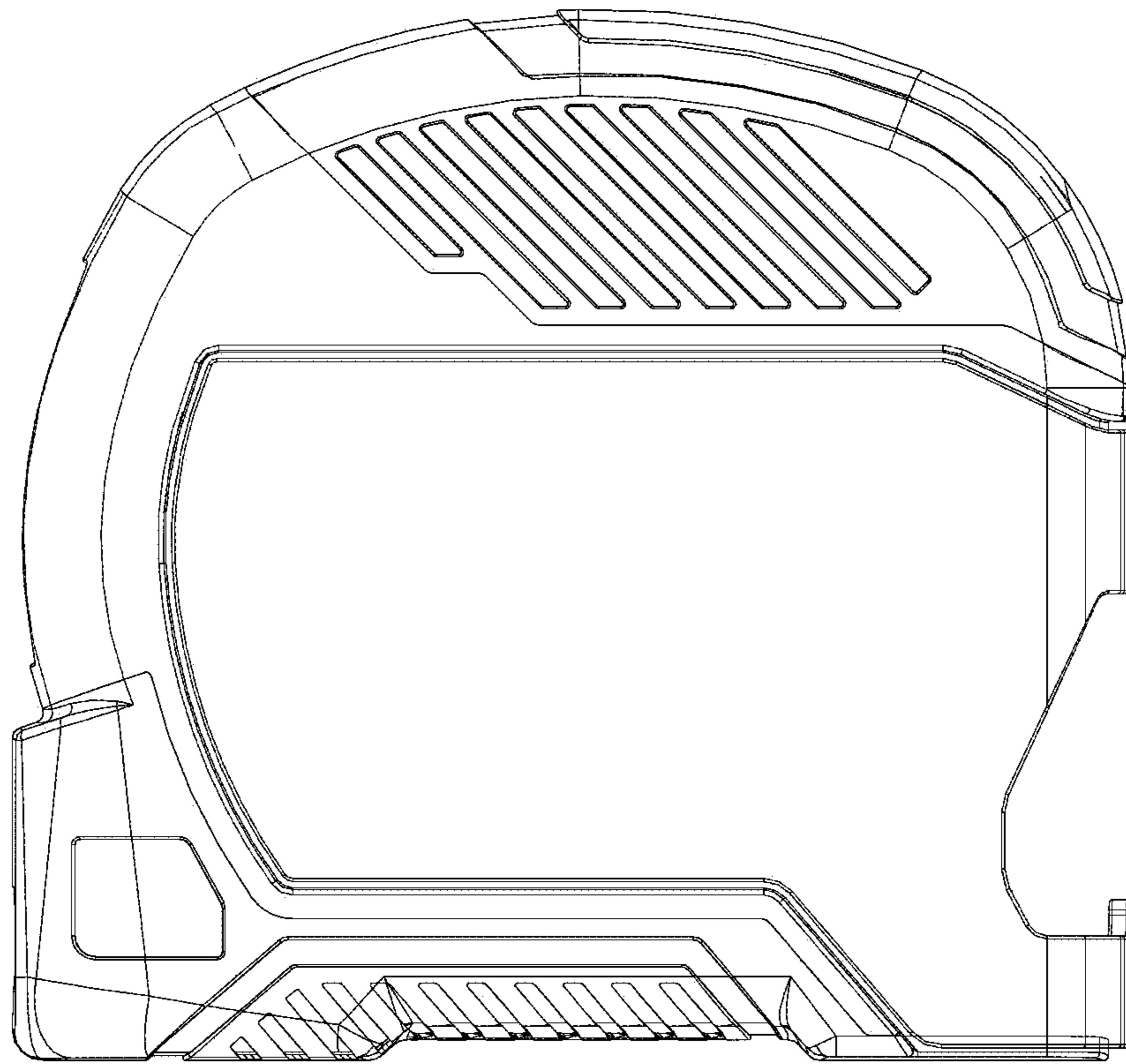


FIG. 4

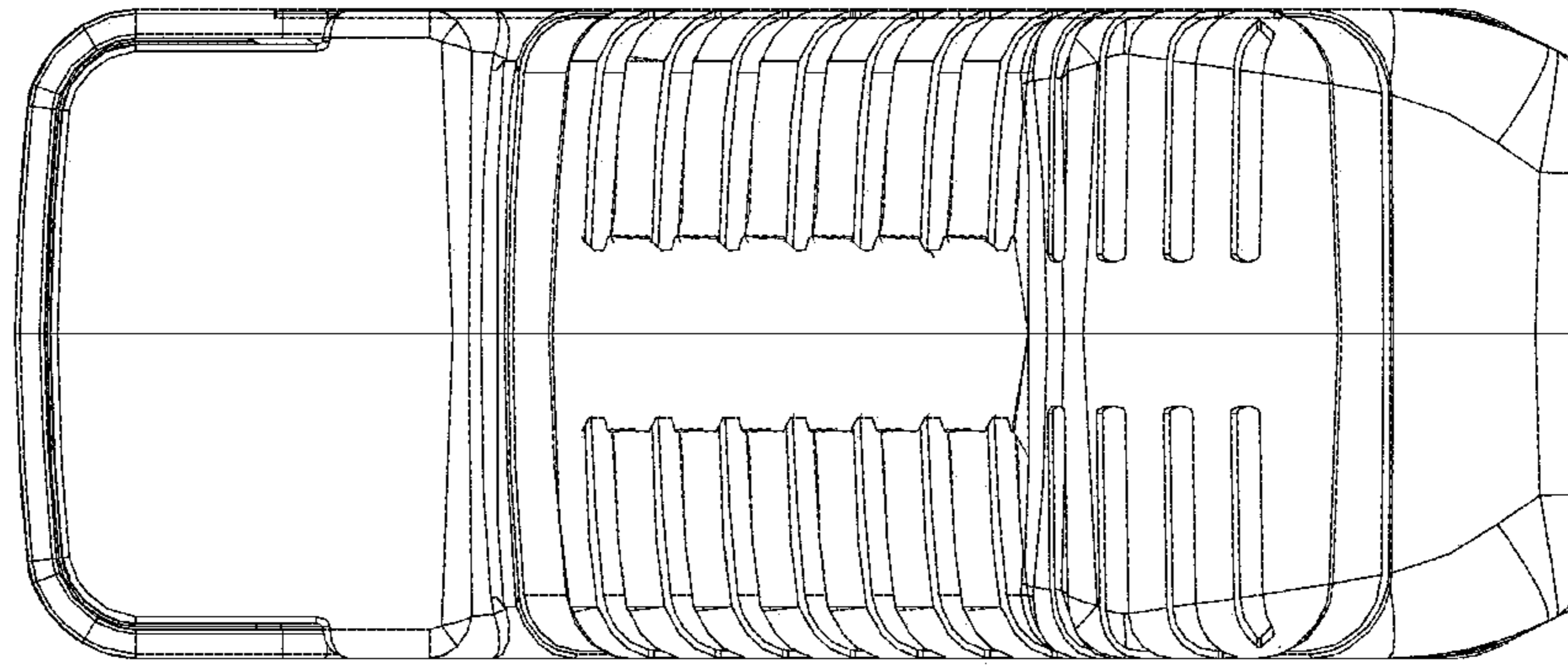


FIG. 5

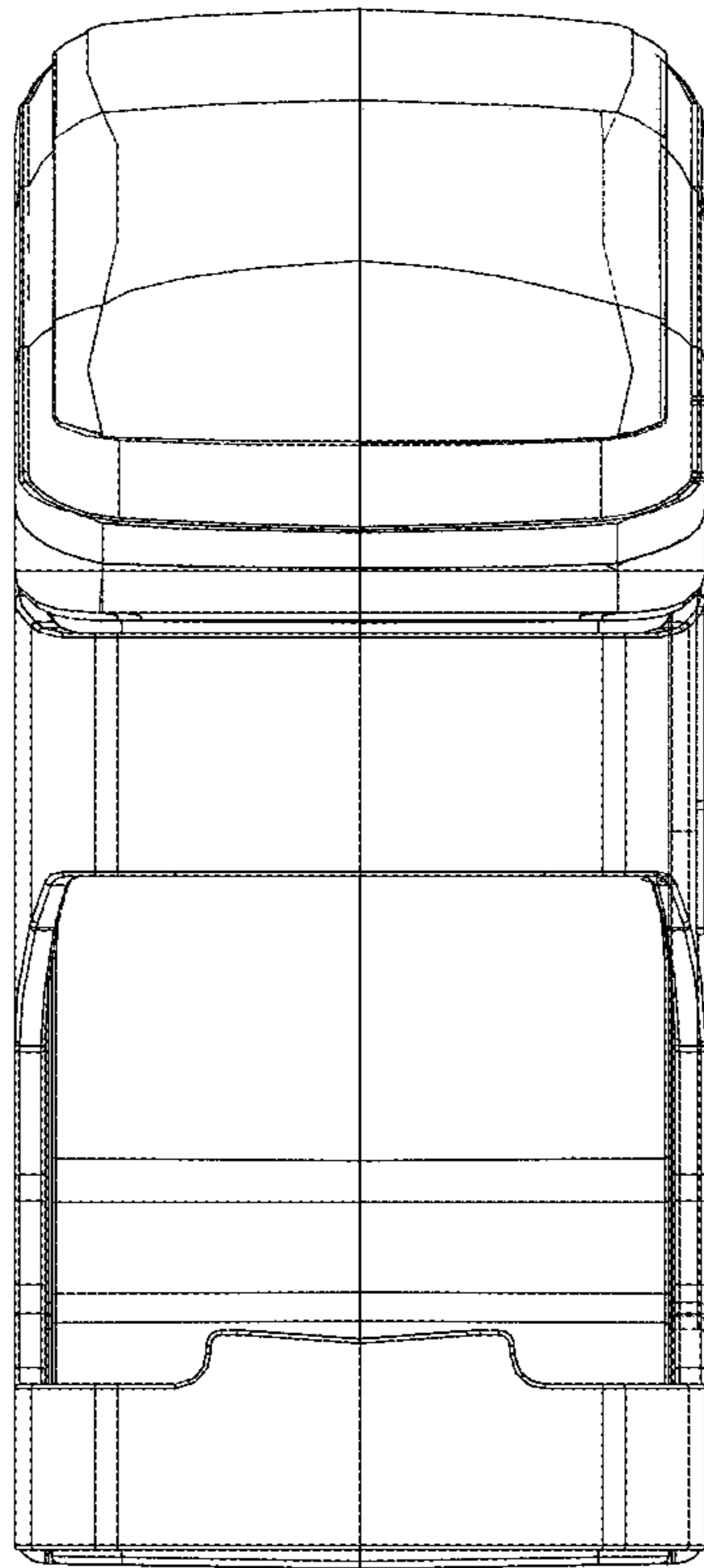


FIG. 6

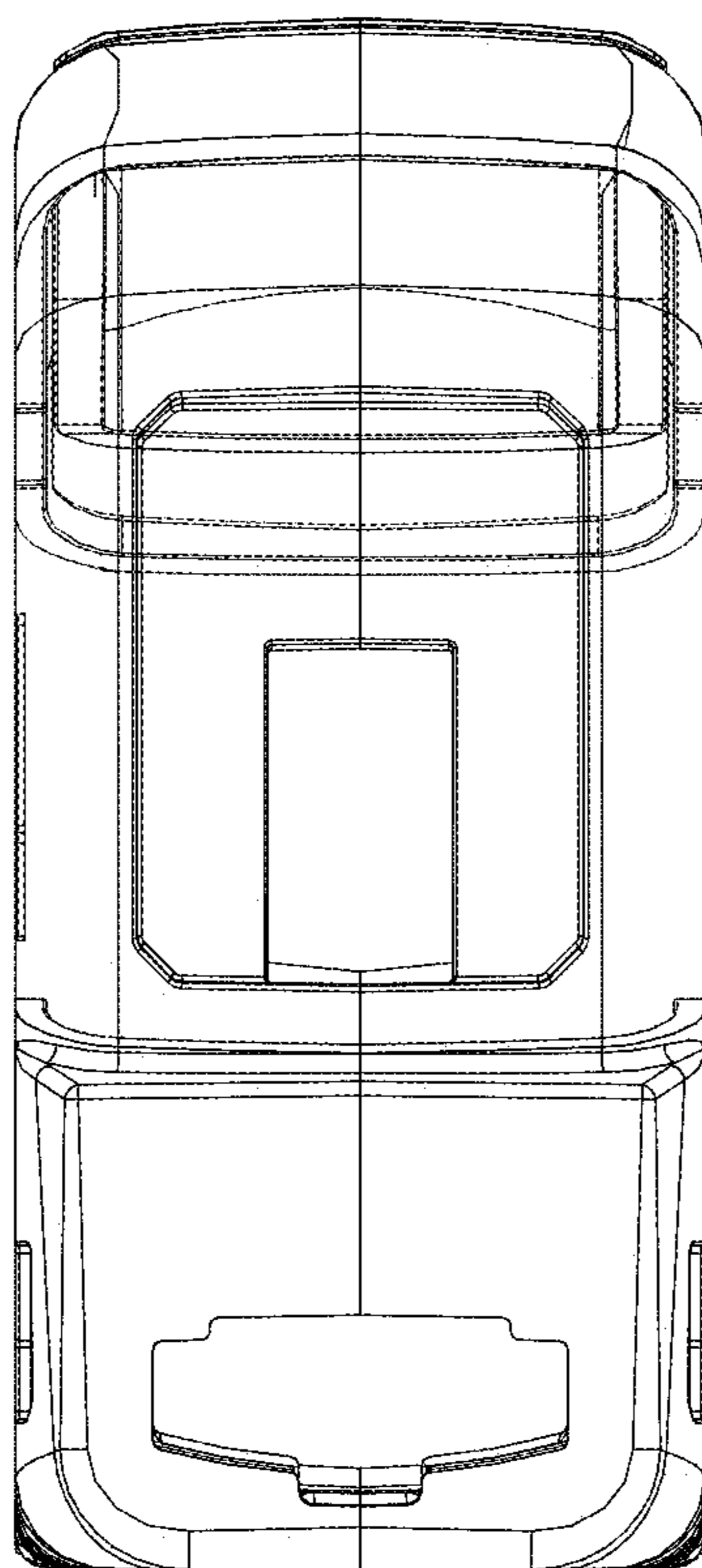


FIG. 7



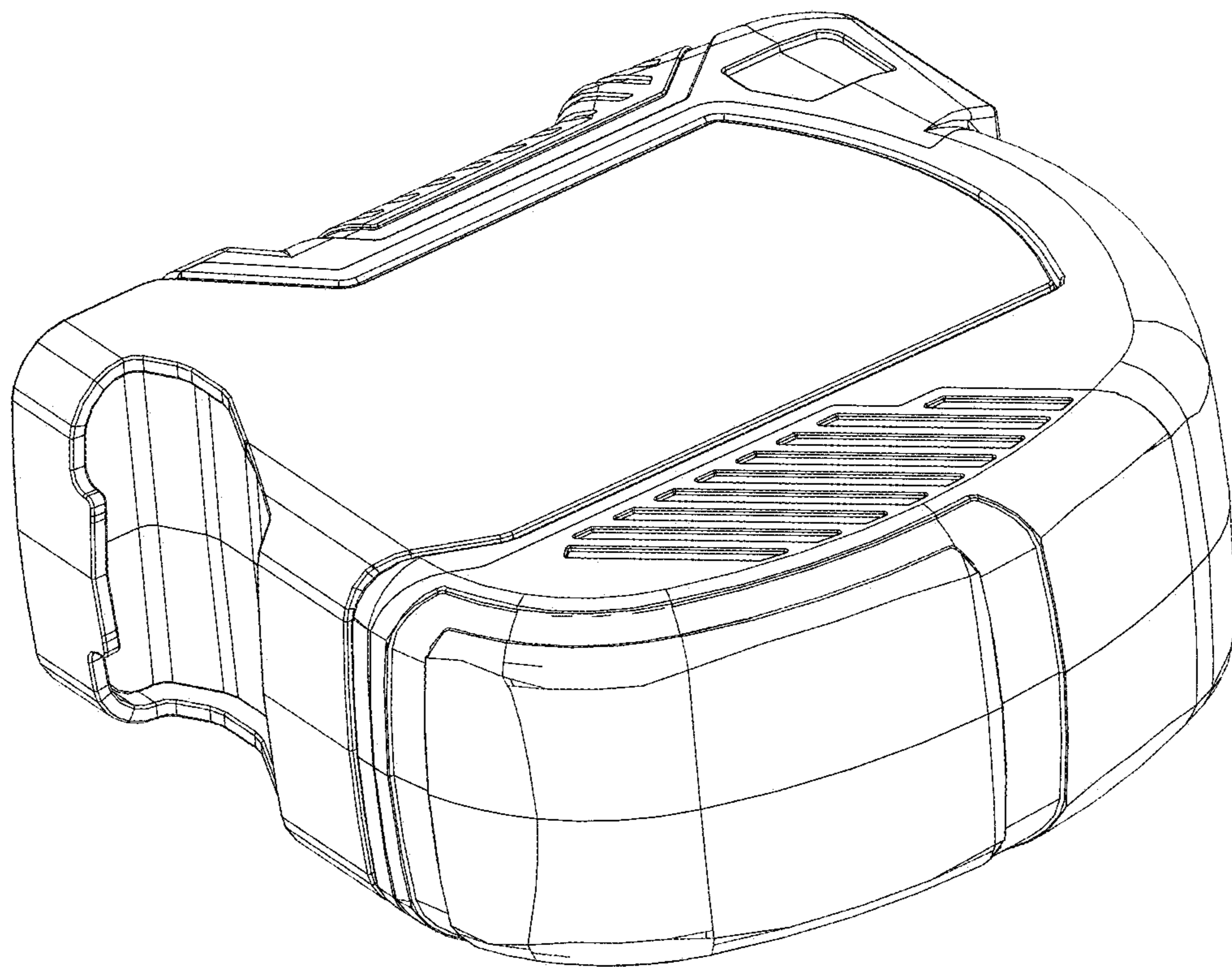


FIG. 8