



US00D884513S

(12) **United States Design Patent**
Hummel et al.

(10) **Patent No.:** **US D884,513 S**

(45) **Date of Patent:** **** May 19, 2020**

(54) **EXPANDABLE MEASURING GAUGE**

D333,991 S * 3/1993 Lee D10/62

(71) Applicant: **Woodpeckers, LLC**, Strongsville, OH (US)

* cited by examiner

(72) Inventors: **Richard M. Hummel**, Parma, OH (US); **Matthew D. Kedziora**, Seven Hills, OH (US); **Brock Winans**, Strongsville, OH (US)

Primary Examiner — Antoine Duval Davis

(74) *Attorney, Agent, or Firm* — Sand, Sebolt & Wernow Co., LPA

(73) Assignee: **WOODPECKER, LLC**, Strongsville, OH (US)

(57) **CLAIM**

The ornamental design for an expandable measuring gauge, as shown and described.

(**) Term: **15 Years**

DESCRIPTION

(21) Appl. No.: **29/669,128**

FIG. 1 is a front, top, right isometric perspective view of an expandable measuring gauge in accordance with a first embodiment of our design;

(22) Filed: **Nov. 6, 2018**

FIG. 2 is a top plan view of the expandable measuring gauge of FIG. 1;

(51) **LOC (12) Cl.** **10-04**

FIG. 3 is a bottom plan view of the expandable measuring gauge of FIG. 1;

(52) **U.S. Cl.**
USPC **D10/71**

FIG. 4 is a front elevation view of the expandable measuring gauge of FIG. 1;

(58) **Field of Classification Search**
USPC D10/65, 71
CPC G01B 3/18
See application file for complete search history.

FIG. 5 is a rear elevation view of the expandable measuring gauge of FIG. 1;

FIG. 6 is a right side elevation view of the expandable measuring gauge of FIG. 1; and,

FIG. 7 is a left side elevation view of the expandable measuring gauge of FIG. 1.

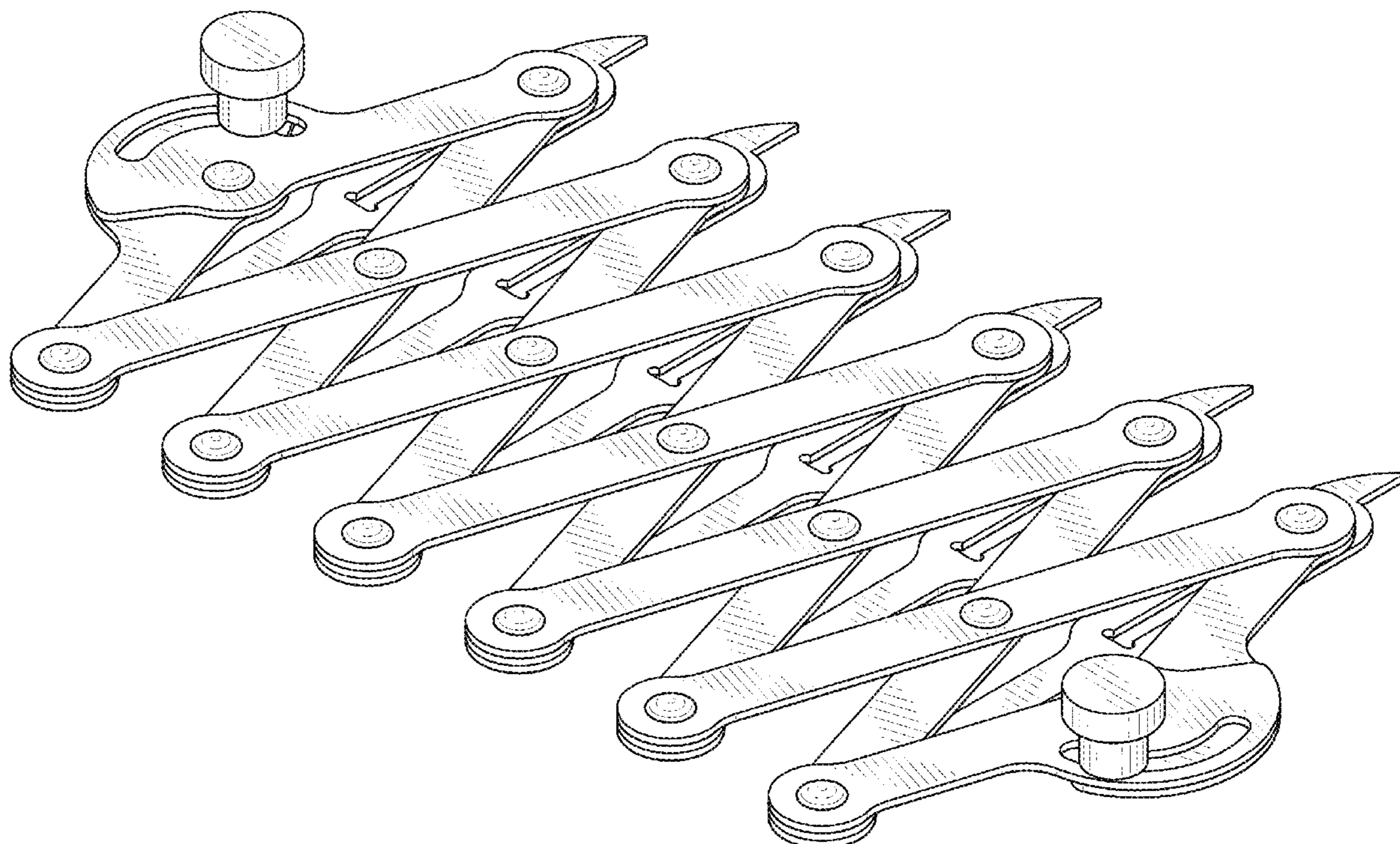
The broken lines illustrate portions which form no part of the claimed design.

(56) **References Cited**

U.S. PATENT DOCUMENTS

D136,423 S * 10/1943 Nash D10/71

1 Claim, 4 Drawing Sheets



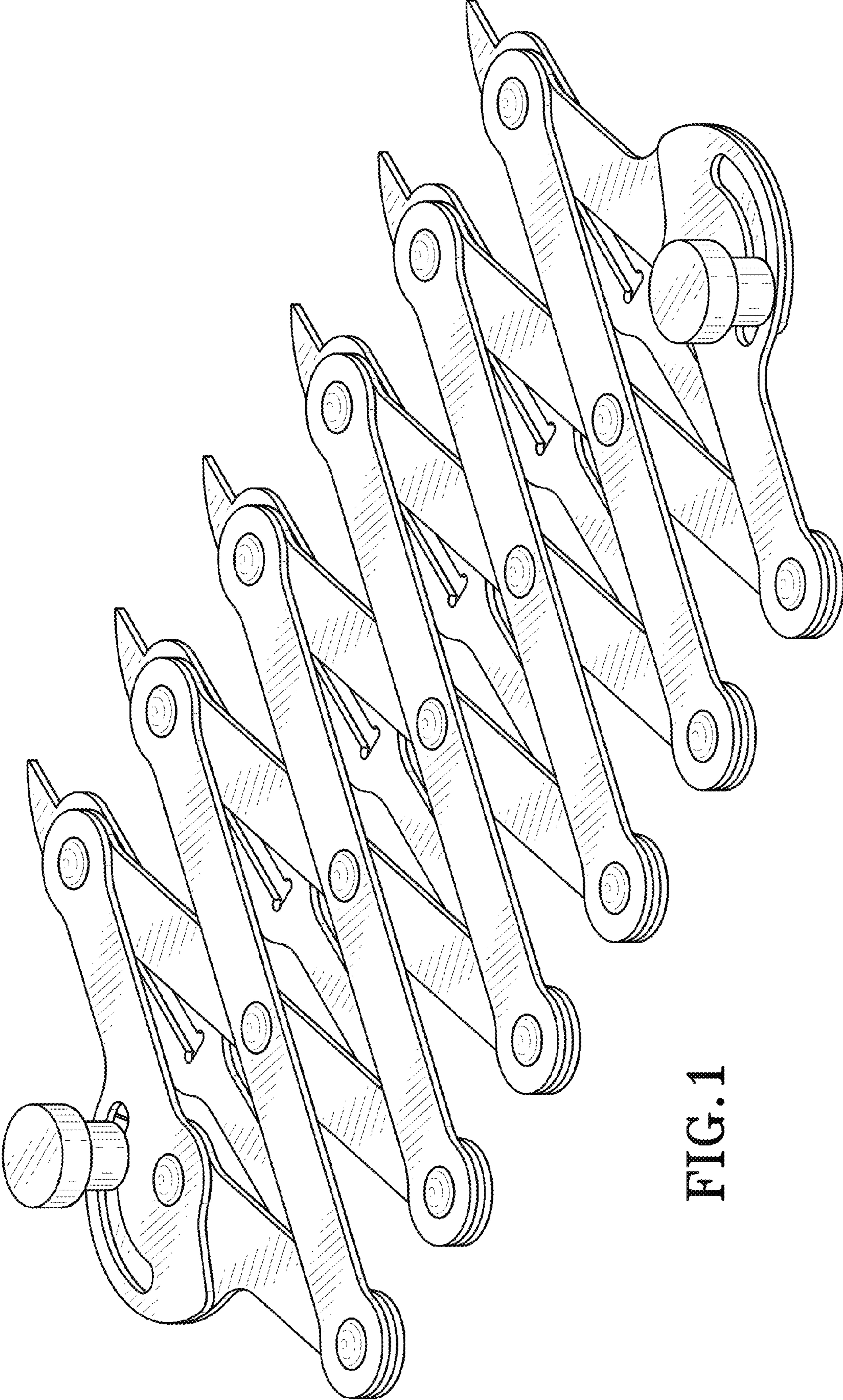


FIG. 1

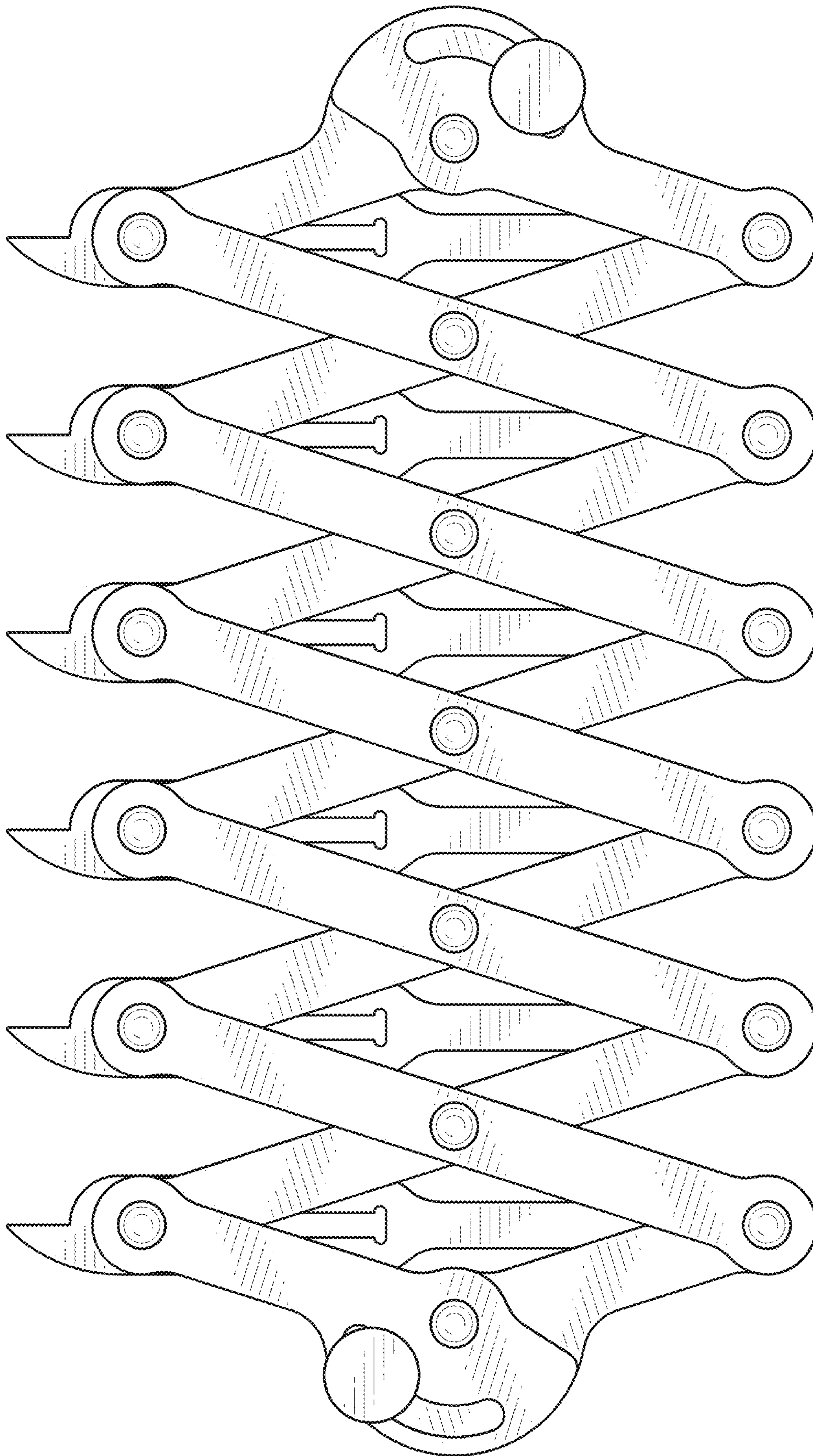


FIG. 2

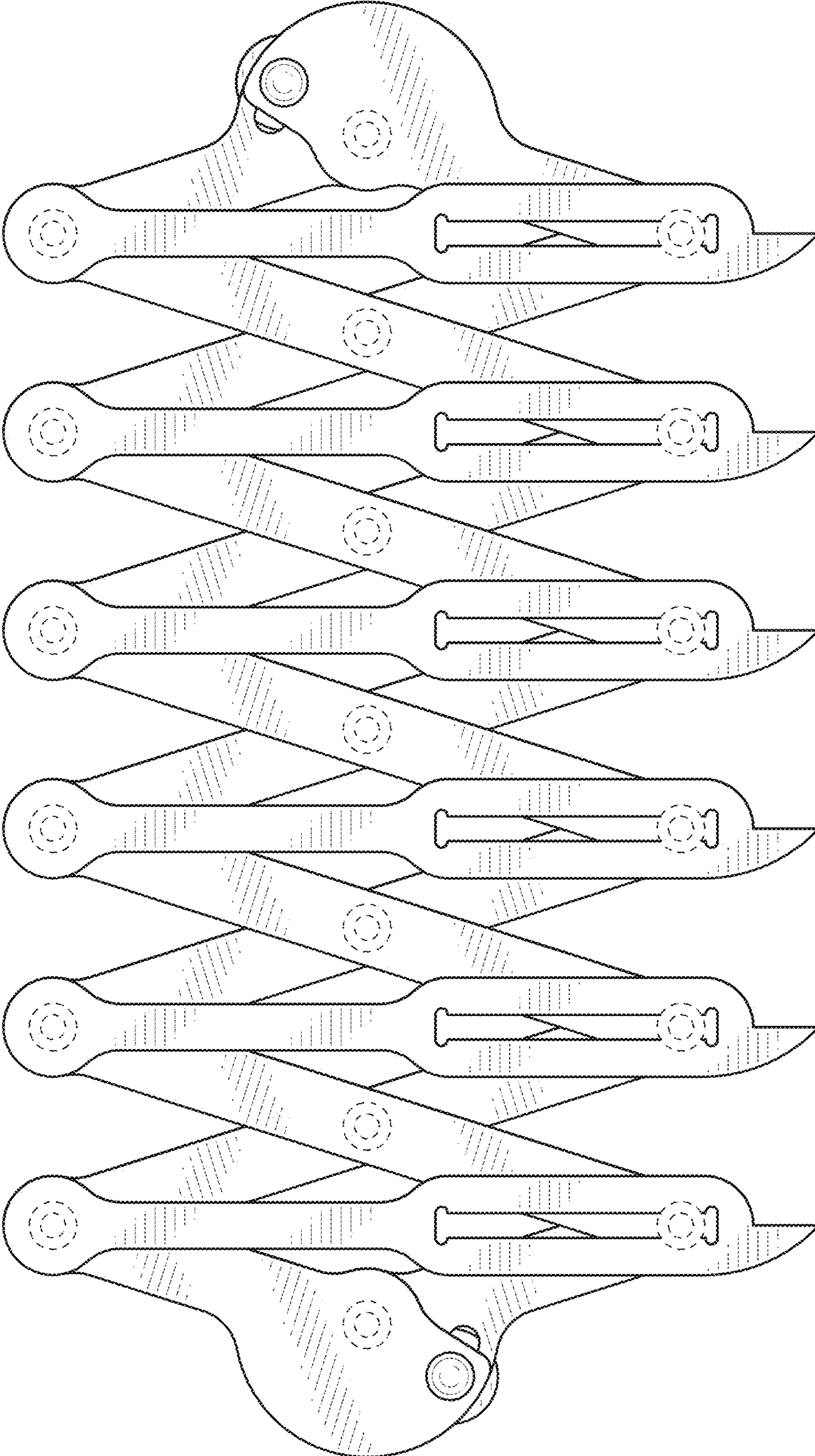


FIG. 3

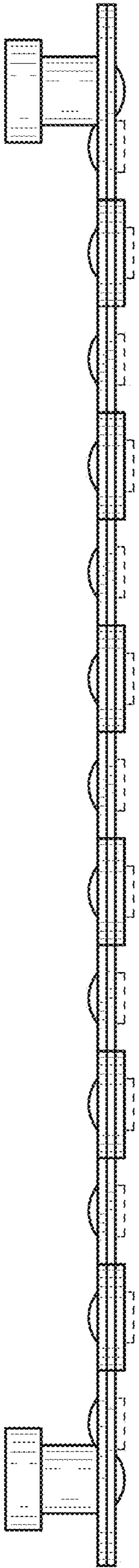


FIG. 4

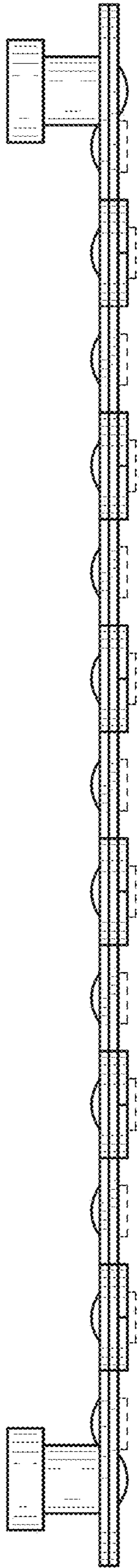


FIG. 5

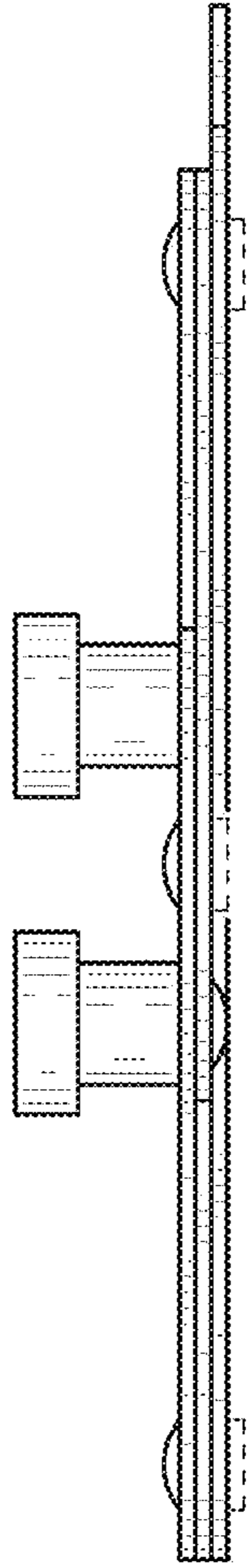


FIG. 6

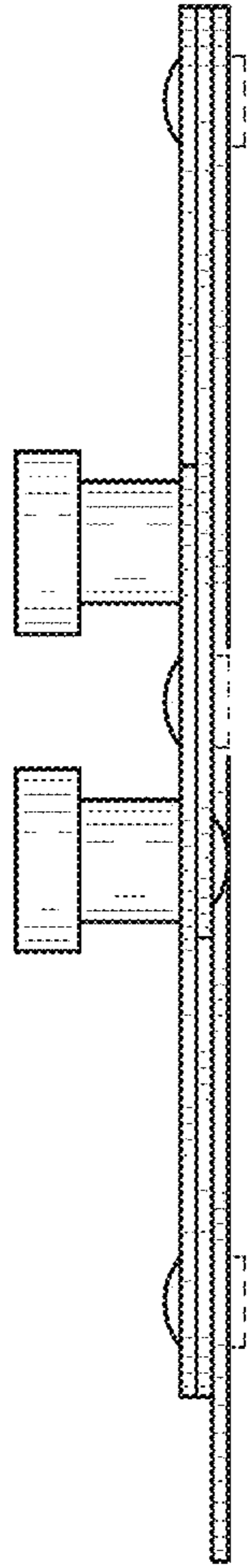


FIG. 7