



US00D884512S

(12) **United States Design Patent**
McClain

(10) **Patent No.:** **US D884,512 S**

(45) **Date of Patent:** **** May 19, 2020**

(54) **WEARABLE ELECTRONIC DEVICE**

(71) Applicant: **John McClain**, Los Angeles, CA (US)

(72) Inventor: **John McClain**, Los Angeles, CA (US)

(**) Term: **15 Years**

(21) Appl. No.: **29/709,365**

(22) Filed: **Oct. 14, 2019**

Related U.S. Application Data

(62) Division of application No. 29/643,201, filed on Apr. 5, 2018, now Pat. No. Des. 869,300.

(51) **LOC (12) Cl.** **10-04**

(52) **U.S. Cl.**
USPC **D10/70**; D10/38; D14/344

(58) **Field of Classification Search**
USPC D10/30-39, 65, 70, 78, 97, 98; D11/3;
D14/138 R, 203.5, 203.6, 341, 344;
D24/167, 186

CPC A44C 5/00-5/16; G04B 45/0069; G04B
47/04; G04B 19/00-19/34; G04B 21/12;
G04B 23/12; G04B 37/00-37/228; G04B
47/00-47/068; G04B 47/065; G04B
47/066; G04B 37/221; G04B 47/008;
G04B 47/06; G04B 47/061; G04B
47/063; G01C 17/00; G01C
21/00-21/3697; G01C 22/00-22/025;
G01C 23/00-23/005; G01C 21/16; G06F
19/3481; G06F 3/00-3/027; G06F 1/163;
G01P 1/00-1/26; G01P 15/00-15/18;
G01P 1/02; G01P 1/12; A63B
24/00-2024/0096; A63B 2213/00; A63B
69/0028; A63B 2071/0658-2071/0666;
A63B 2220/00-2220/89; A63B 2225/02;
A63B 24/0062; A63B 2071/0663; A63B
2220/836; A63B 2225/50; A63C 11/02;
A61B 5/0537; A61B 5/4872; A61B
5/6831; A61B 5/4869; A61B 5/0858;
A61B 5/1075; A61B 5/107; A61B

5/4875; A61B 5/4878; A61B 5/4881;
A61B 5/61-5/6898; A61B 5/681; A61B
5/6824; A61B 5/6825; A61B 5/6826;
G04R 20/02; G04C 10/00; G04C 10/02;
G08B 21/0269; G08B 21/0272; G08B
21/0286; G08B 21/0288; G08B 21/0291;
G08B 21/04-21/2454; G01S 19/00-19/55;
G04G 9/0064; G04G 9/0005

See application file for complete search history.

(56) **References Cited**

U.S. PATENT DOCUMENTS

D278,037	S	*	3/1985	Hattori	D10/30
D336,617	S	*	6/1993	Perrin	D10/39
D337,067	S	*	7/1993	Patterson	D10/106.1
D386,429	S	*	11/1997	Brodmann	D10/30
D599,683	S	*	9/2009	Rabassa	D10/39

(Continued)

Primary Examiner — Antoine Duval Davis
(74) *Attorney, Agent, or Firm* — St. Onge Steward
Johnston & Reens LLC

(57) **CLAIM**

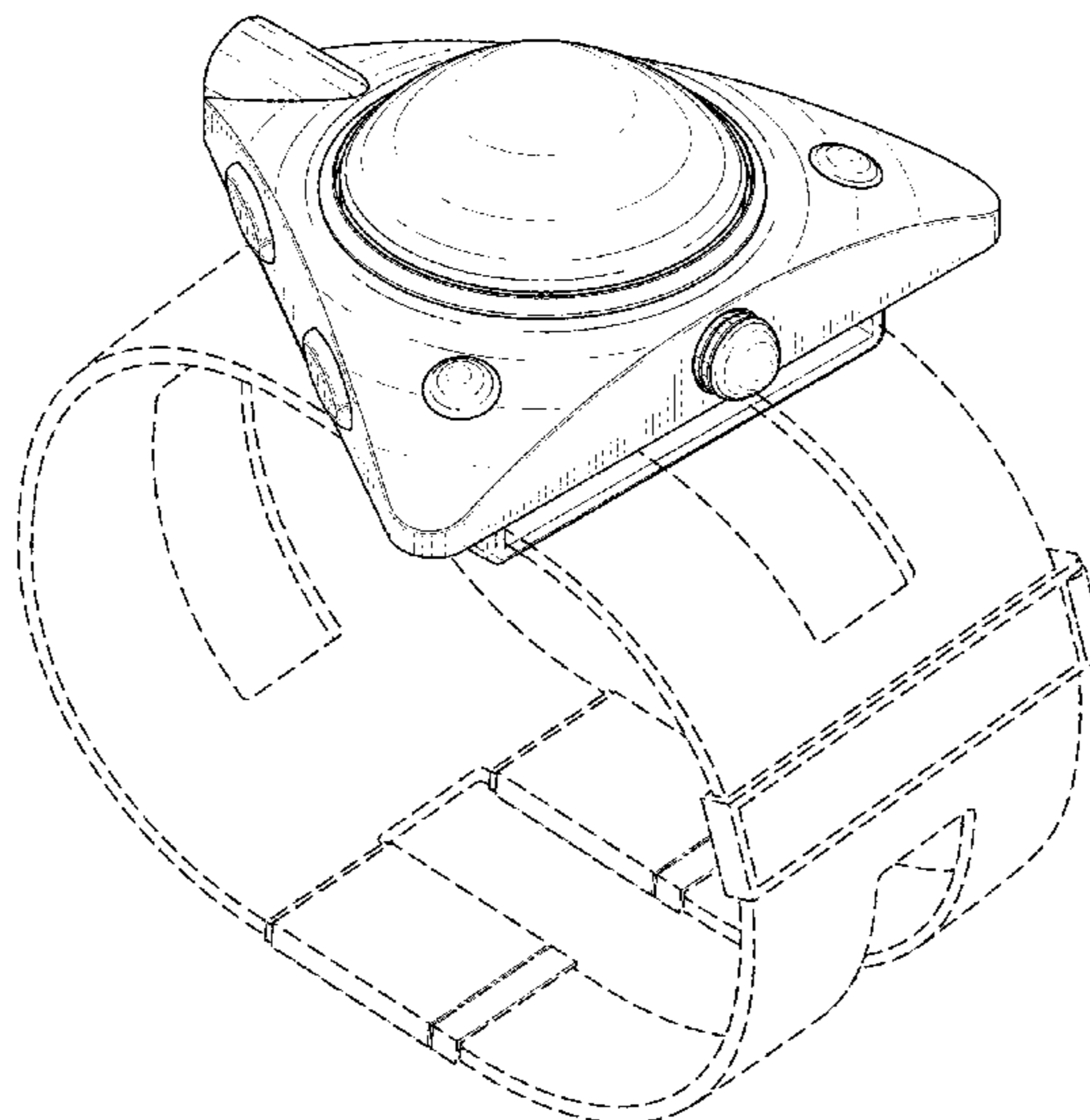
The ornamental design for a wearable electronic device, as shown and described.

DESCRIPTION

FIG. 1 is a perspective view of an embodiment of a wearable electronic device with the new design;
FIG. 2 is a top plan view thereof;
FIG. 3 is a right side view thereof;
FIG. 4 is a bottom view thereof;
FIG. 5 is a left side view thereof;
FIG. 6 is a rear view thereof; and,
FIG. 7 is a front view thereof.

The broken lines shown in the drawings are for the purpose of illustrating portions of the wearable electronic device that form no part of the claimed design.

1 Claim, 7 Drawing Sheets



(56)

References Cited

U.S. PATENT DOCUMENTS

D599,684 S	*	9/2009	Chastaingt	D10/39
D656,424 S	*	3/2012	Bentley	D10/70
D833,897 S	*	11/2018	Simpson	D10/70
D867,911 S	*	11/2019	Alabdin	D10/78

* cited by examiner

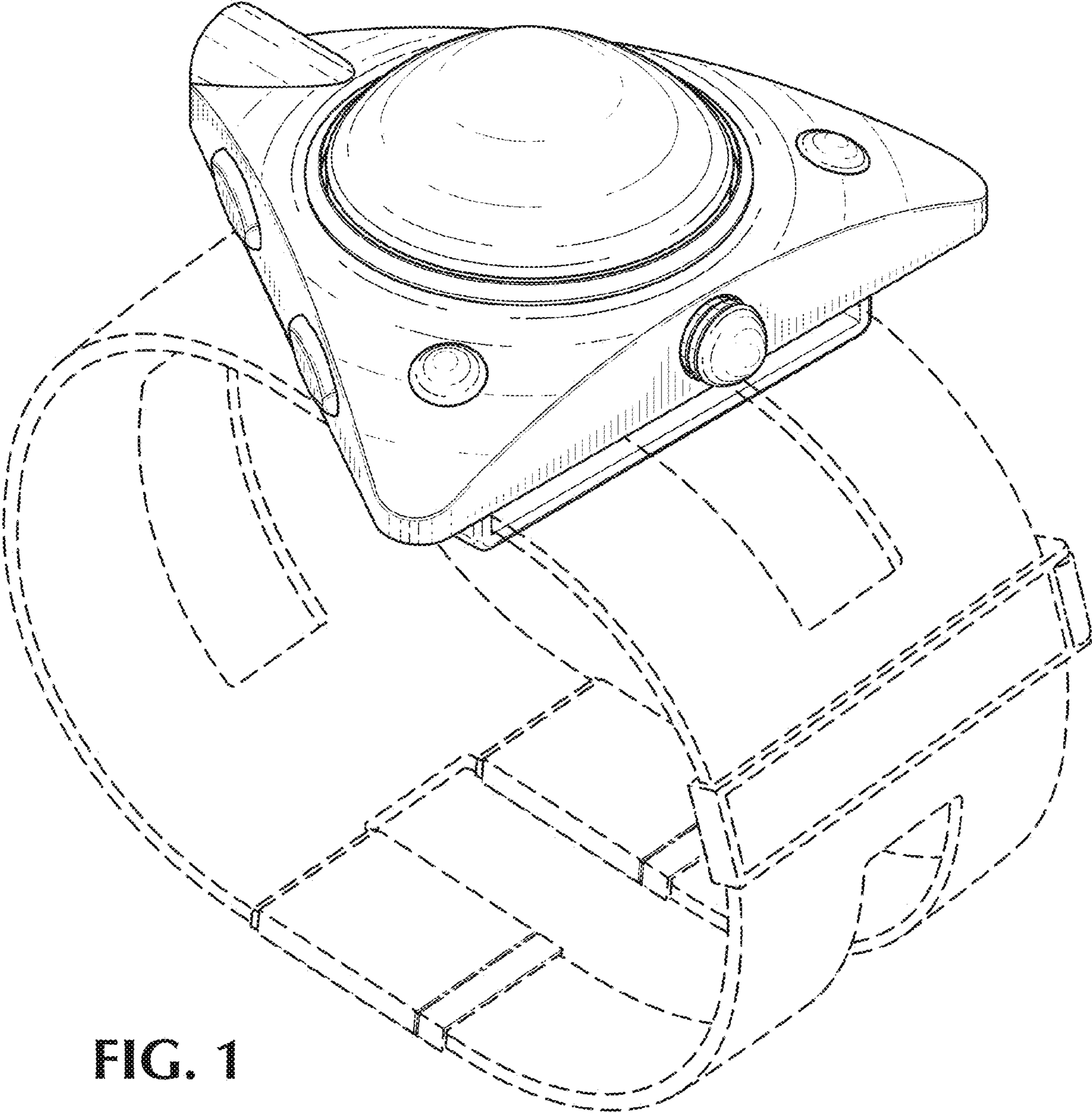


FIG. 1

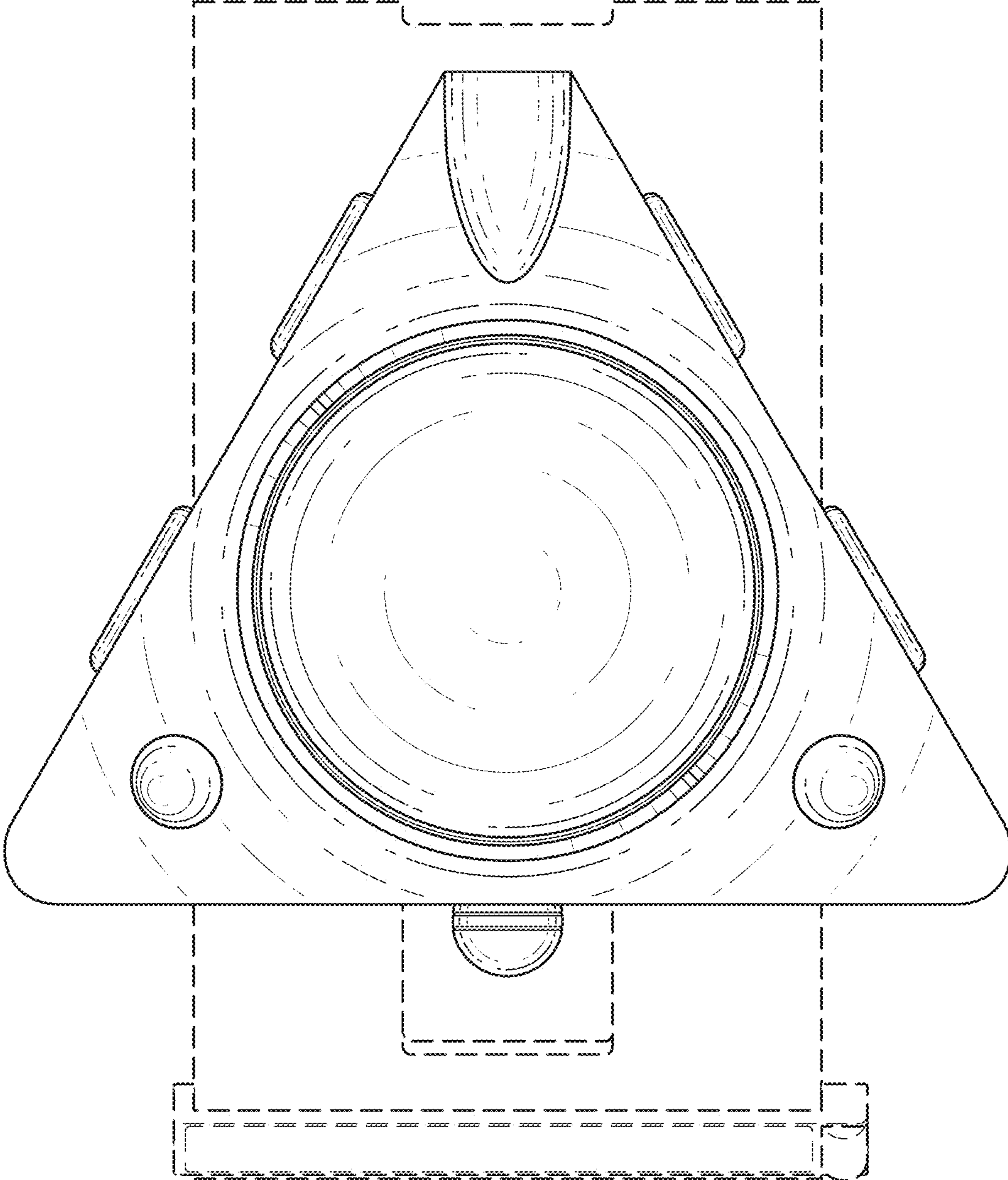


FIG. 2

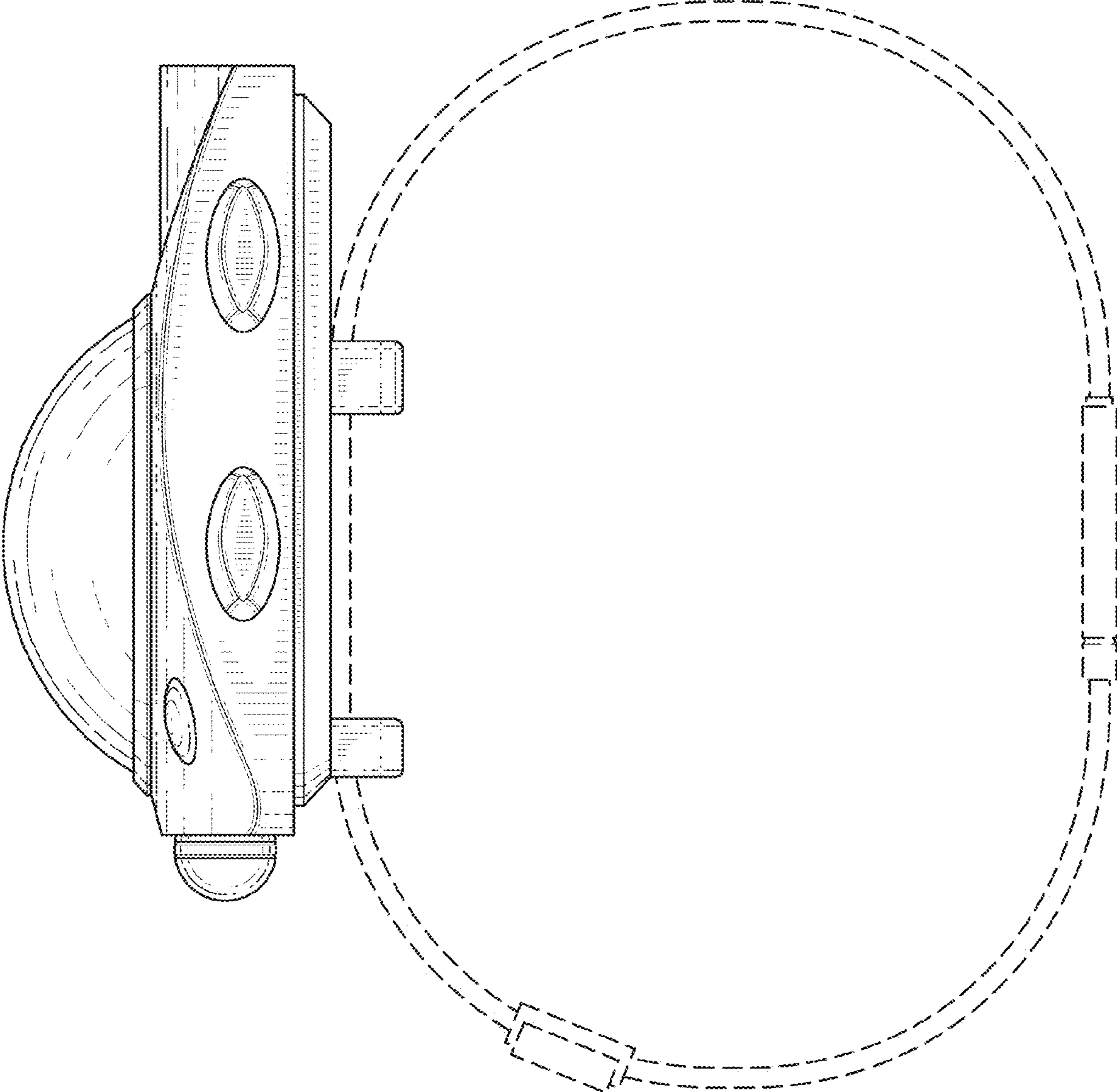


FIG. 3

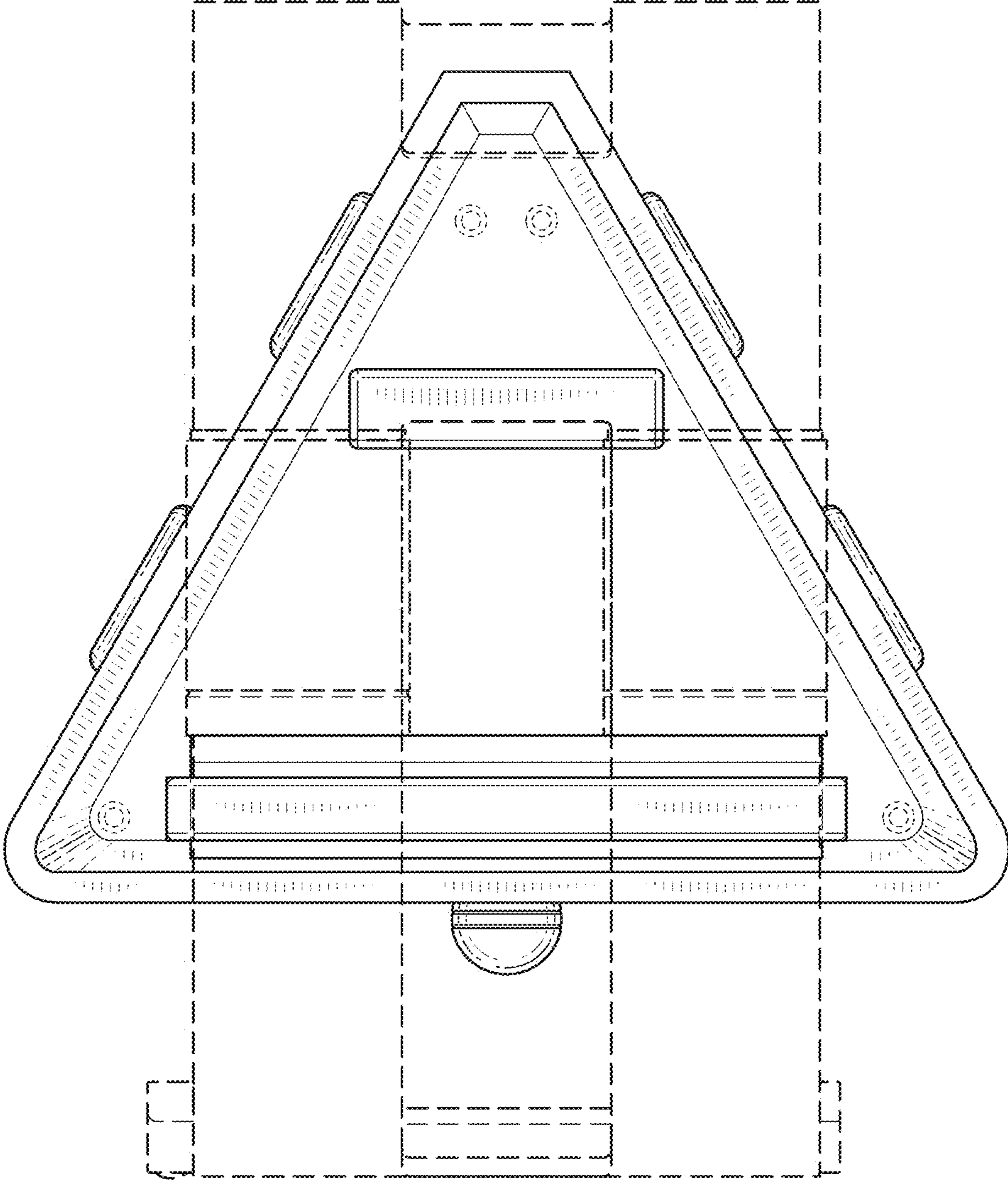


FIG. 4

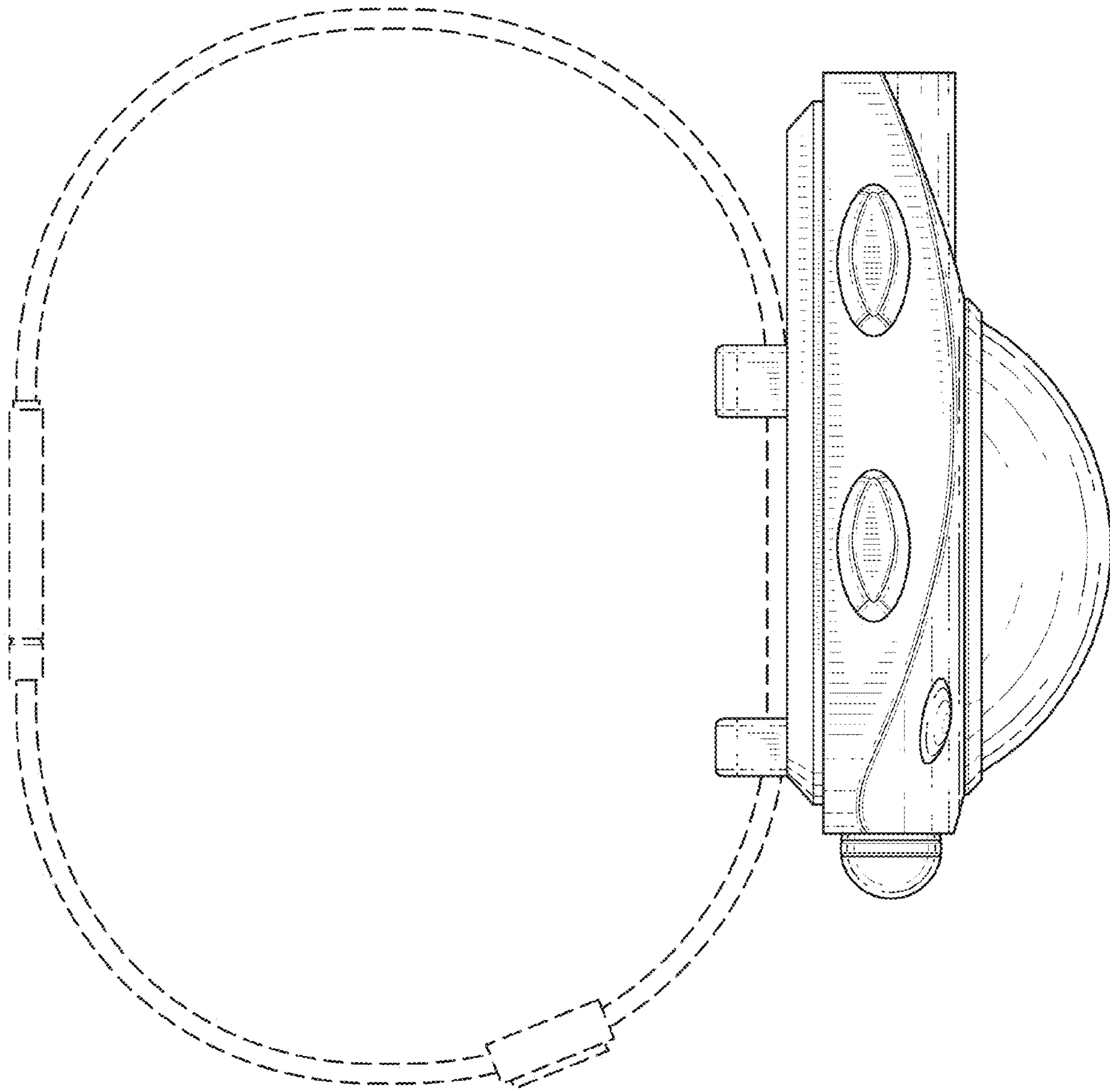


FIG. 5

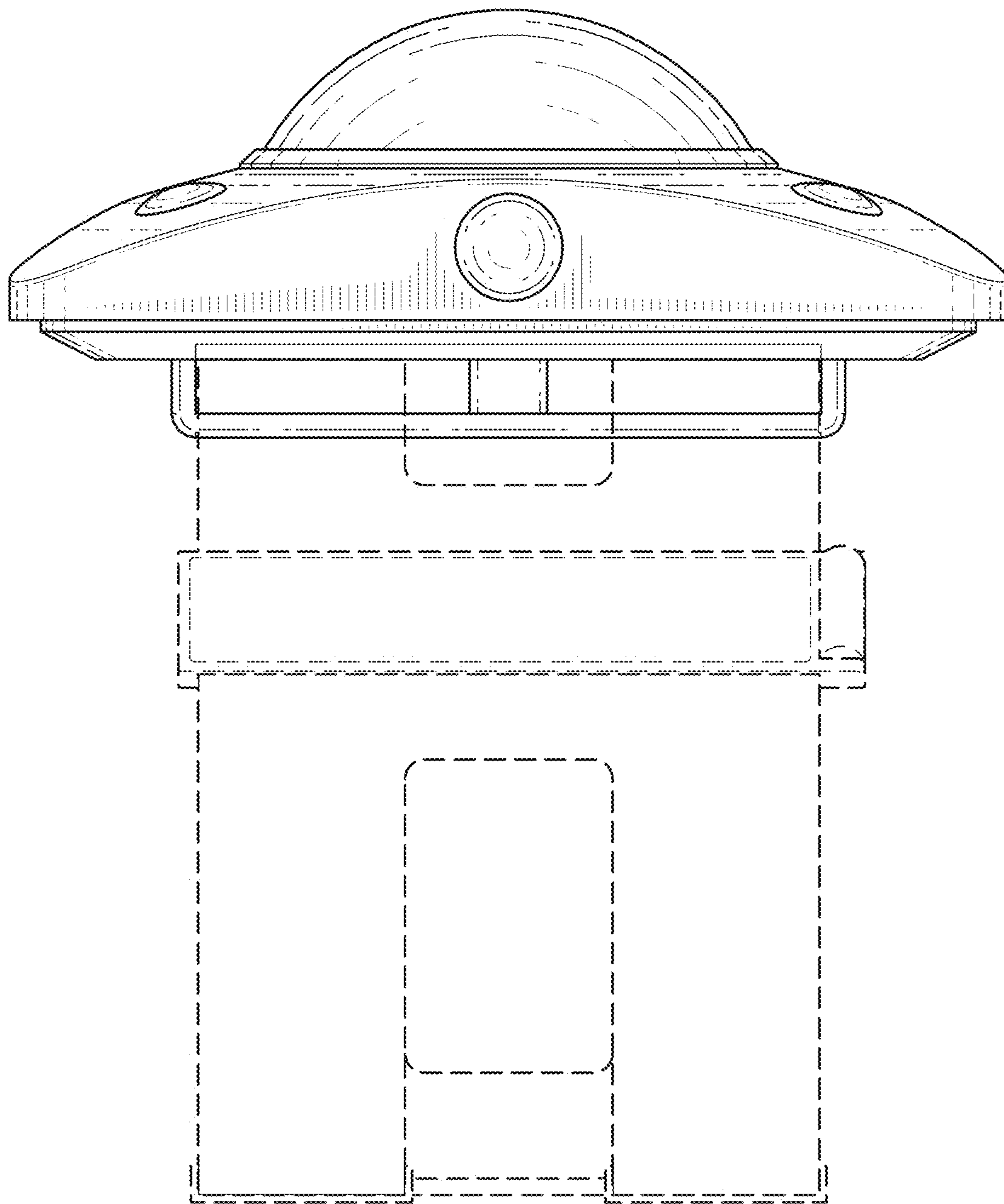


FIG. 6

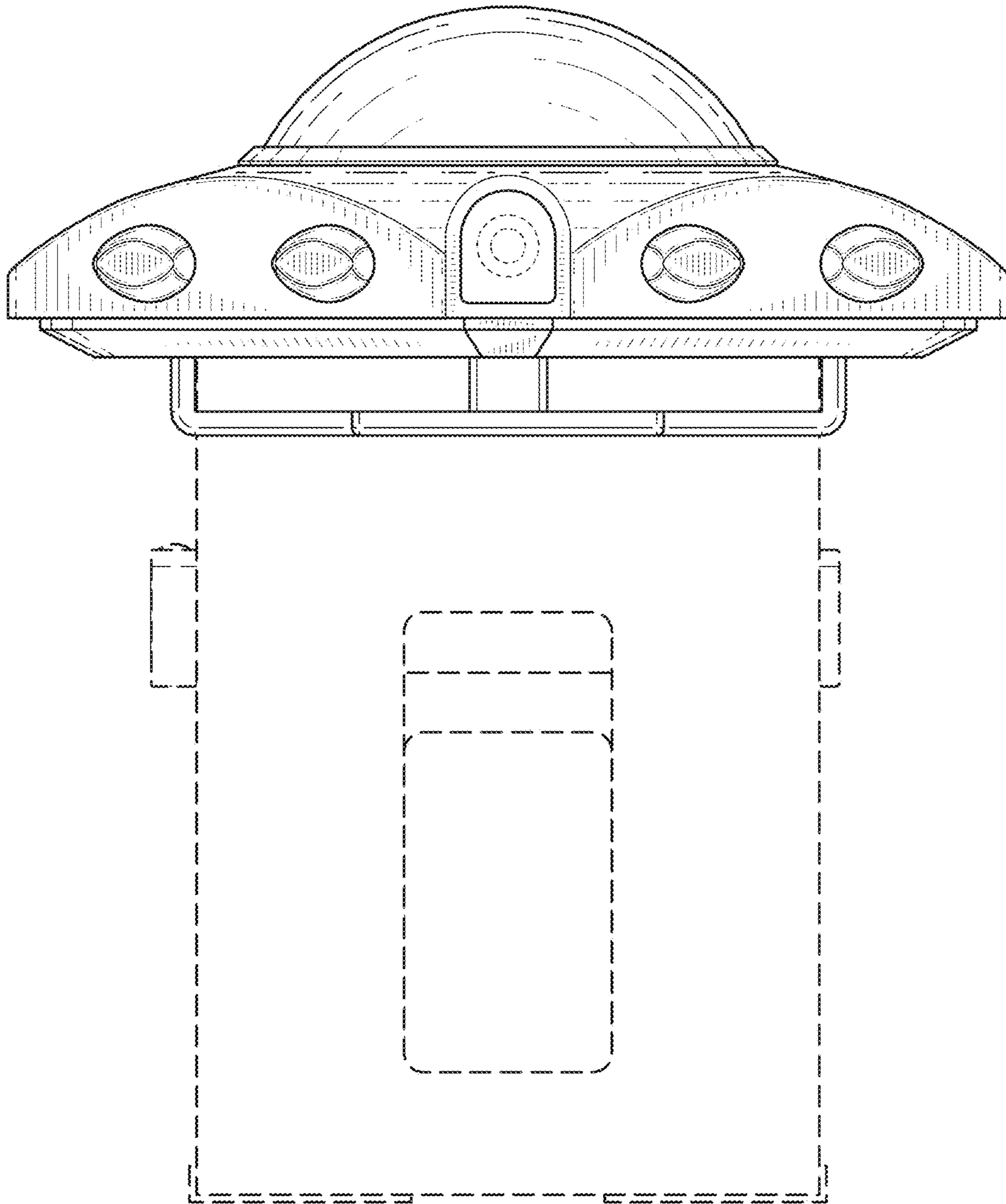


FIG. 7