



US00D884502S

(12) **United States Design Patent** (10) **Patent No.:** **US D884,502 S**
Kivelä et al. (45) **Date of Patent:** **** May 19, 2020**

(54) **DEVICE FOR MONITORING AND CONTROLLING PERSONAL LIFESTYLE**

5/6831; A61B 5/4869; A61B 5/0858;
A61B 5/1075; A61B 5/107; A61B
5/4875; A61B 5/4878; A61B 5/4881;
A61B 5/61-5/6898; G08B
(Continued)

(71) Applicant: **Oura Health Oy**, Oulu (FI)

(72) Inventors: **Kari Kivelä**, Helsinki (FI); **Mikko Latomäki**, Helsinki (FI)

(56) **References Cited**

(73) Assignee: **OURA HEALTH OY**, Oulu (FI)

U.S. PATENT DOCUMENTS

(**) Term: **15 Years**

D753,625 S * 4/2016 Young D14/203.5
D753,654 S * 4/2016 Eastwood D11/4
(Continued)

(21) Appl. No.: **29/649,333**

(22) Filed: **May 29, 2018**

Primary Examiner — Antoine Duval Davis

(30) **Foreign Application Priority Data**

(74) *Attorney, Agent, or Firm* — Ziegler IP Law Group, LLC

Nov. 29, 2017 (EM) 004527950-0001
Nov. 29, 2017 (EM) 004527950-0002
Nov. 29, 2017 (EM) 004527950-0003
Nov. 29, 2017 (EM) 004527950-0004

(57) **CLAIM**

The ornamental design for a device for monitoring and controlling personal lifestyle, as shown and described.

(51) **LOC (12) Cl.** **10-04**

DESCRIPTION

(52) **U.S. Cl.**
USPC **D10/70; D10/97; D10/98; D14/344; D24/186**

FIG. 1 is a perspective view of a first embodiment of a device for monitoring and controlling personal lifestyle showing the new design;

(58) **Field of Classification Search**

USPC D10/30-39, 65, 70, 78, 97, 98; D11/3; D14/138 R, 203.5, 203.6, 341, 344, 347; D24/167, 186
CPC G04B 19/00-19/34; G04B 21/12; G04B 23/12; G04B 37/00-37/228; G04B 47/00-47/068; G04B 45/0069; G01C 17/00; G01C 21/00-21/3697; G01C 22/00-22/025; G01C 23/00-23/005; G01C 21/16; G06F 19/3481; G06F 3/00-3/027; G06F 1/163; A63B 24/00-2024/0096; A63B 2213/00; A63B 69/0028; A63B 2071/0658-2071/0666; A63B 2220/00-2220/89; A63B 2225/02; A44C 5/00-5/16; G01P 1/00-1/26; G01P 15/00-15/18; G04R 20/02; G04C 10/00; G04C 10/02; A61B 5/4872; A61B

FIG. 2 is a front view thereof;

FIG. 3 is a back view thereof;

FIG. 4 is a top view thereof;

FIG. 5 is a bottom view thereof;

FIG. 6 is a right side view thereof;

FIG. 7 is a left side view thereof;

FIG. 8 is a perspective view of a second embodiment of a device for monitoring and controlling personal lifestyle showing the new design;

FIG. 9 is a front view thereof;

FIG. 10 is a back view thereof;

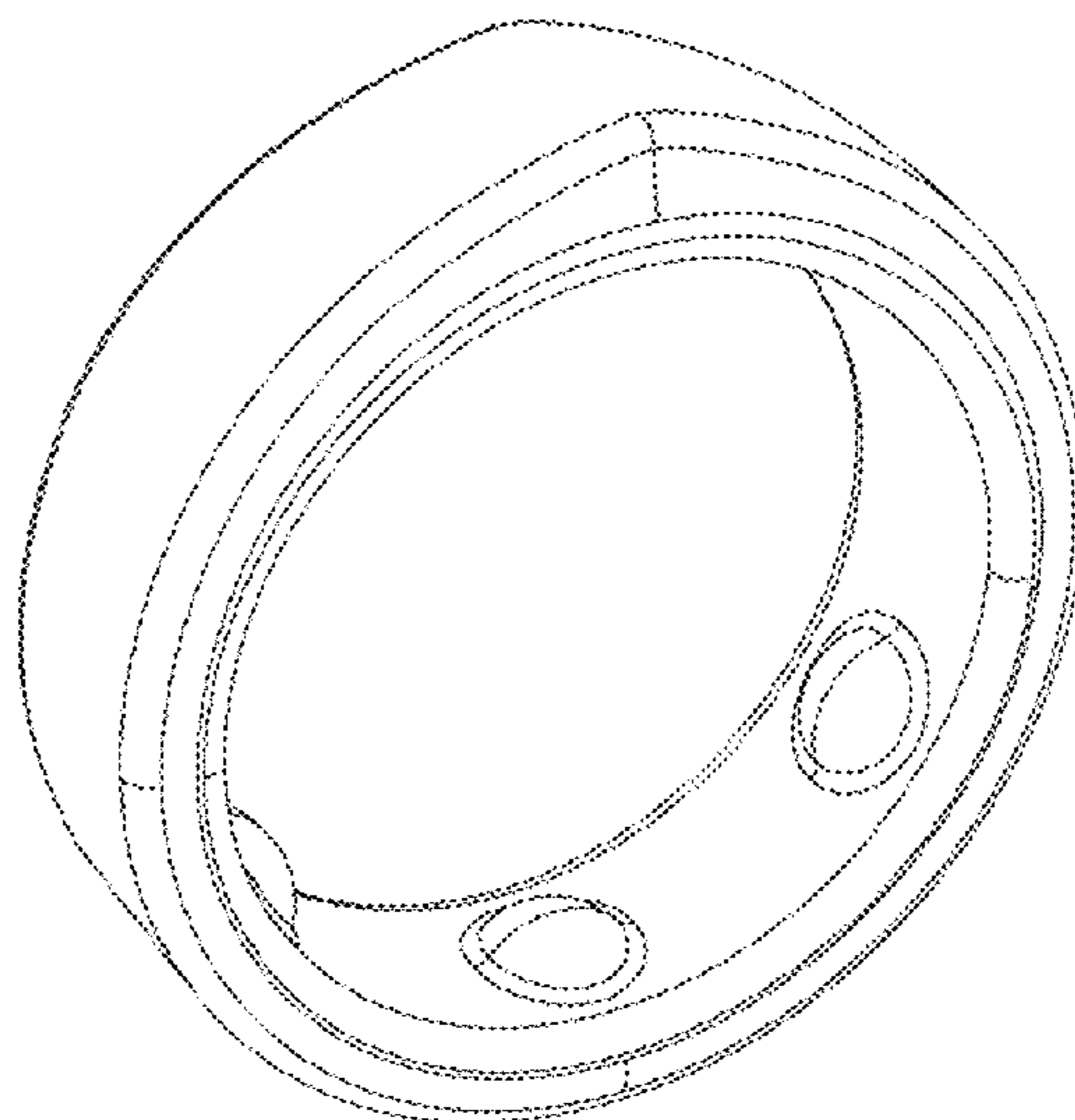
FIG. 11 is a top view thereof;

FIG. 12 is a bottom view thereof;

FIG. 13 is a right side view thereof; and,

FIG. 14 is a left side view thereof.

1 Claim, 14 Drawing Sheets



(58) **Field of Classification Search**

CPC 21/0269; G08B 21/0272; G08B 21/0286;
G08B 21/0288; G08B 21/0291; G08B
21/04–21/2454; G01S 19/00–19/55;
G04G 9/0064; G04G 9/0005

See application file for complete search history.

(56) **References Cited**

U.S. PATENT DOCUMENTS

D756,999	S	*	5/2016	von Badinski	D14/344
D764,339	S	*	8/2016	Roberts	D11/3
D781,850	S	*	3/2017	Tago	D11/26
D786,862	S	*	5/2017	Park	D14/344
D788,609	S	*	6/2017	Lenz	D10/38
D791,764	S	*	7/2017	von Badinski	D14/344
D791,765	S	*	7/2017	von Badinski	D14/344
D804,471	S	*	12/2017	von Badinski	D14/344
D844,599	S	*	4/2019	Stipancik	D14/344

* cited by examiner

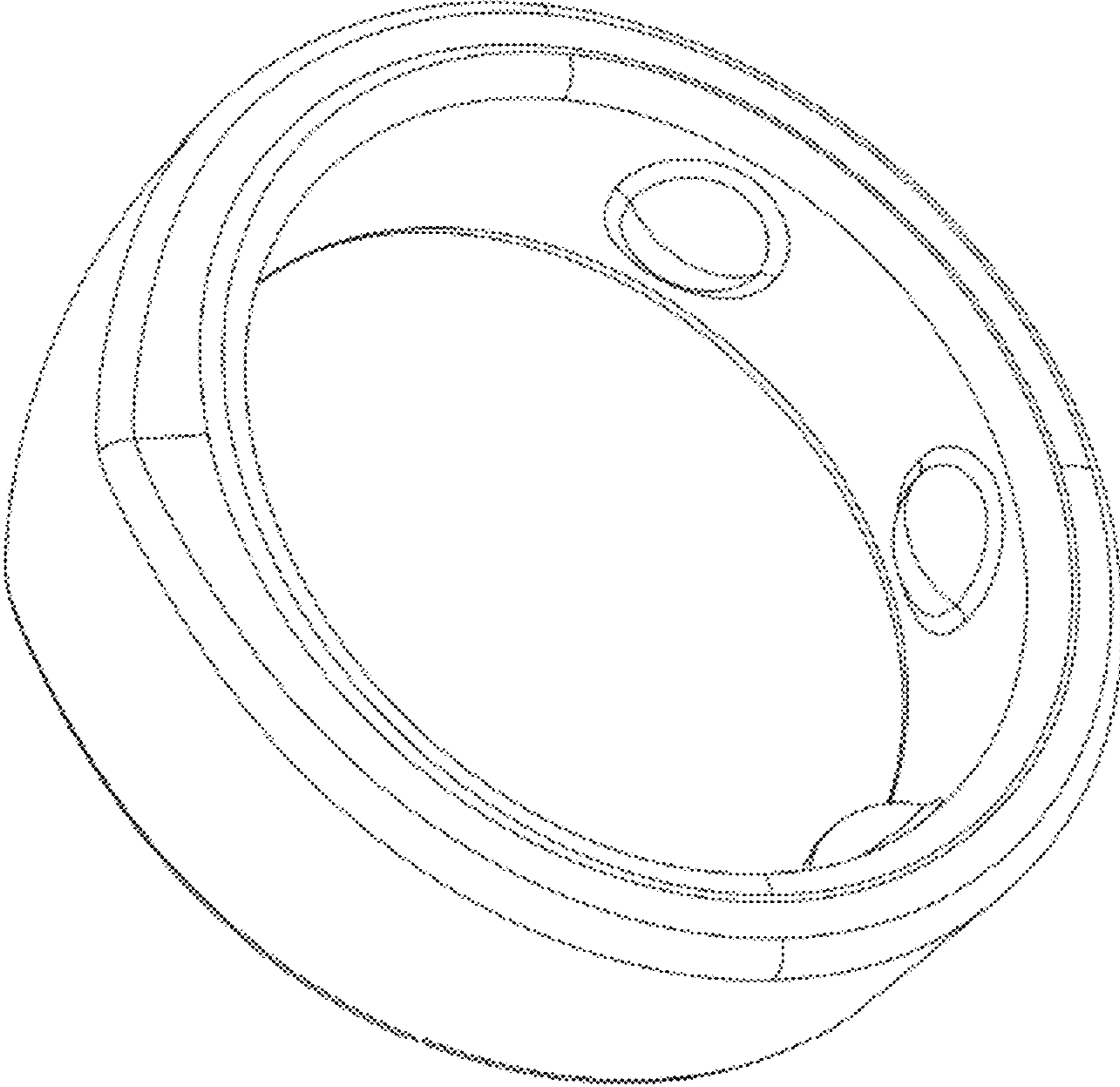


FIG. 1

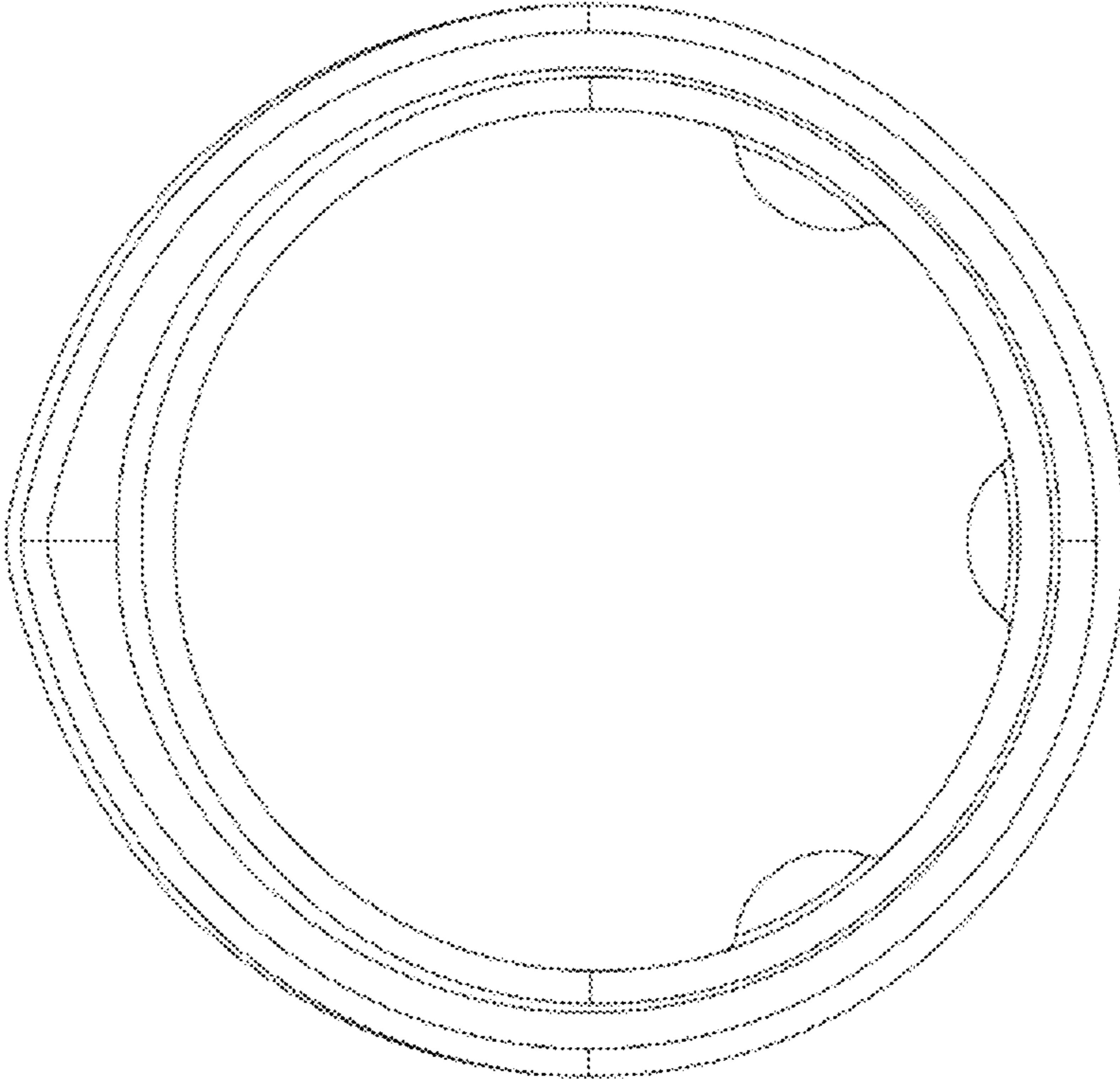


FIG. 2

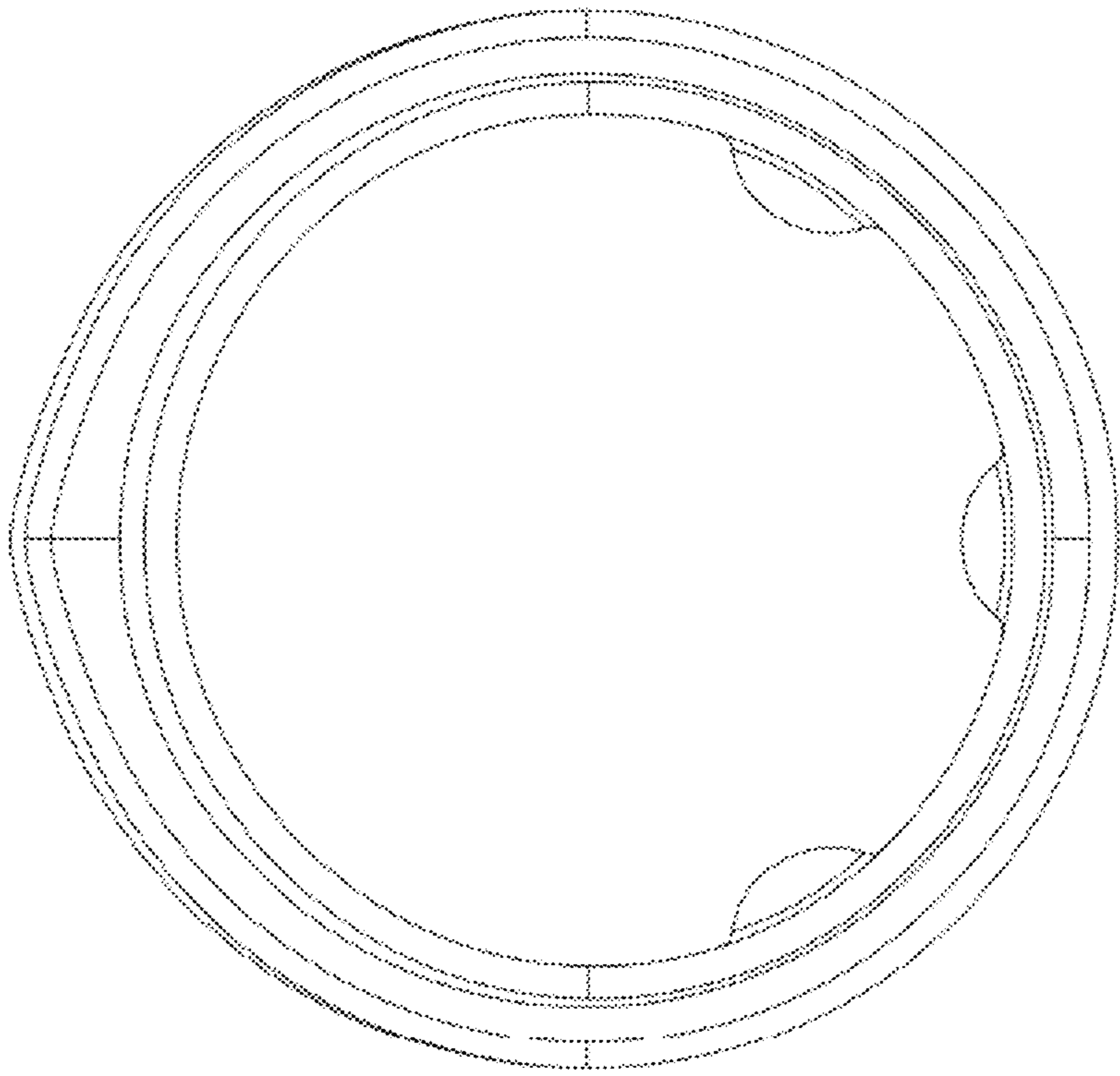


FIG. 3

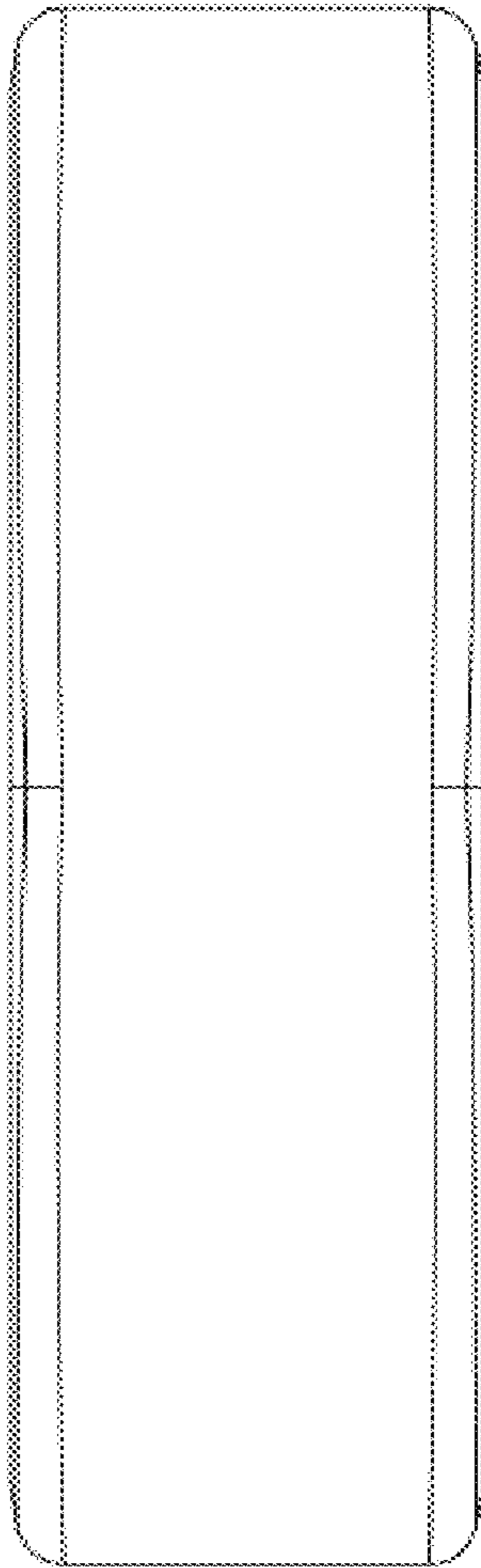


FIG. 4

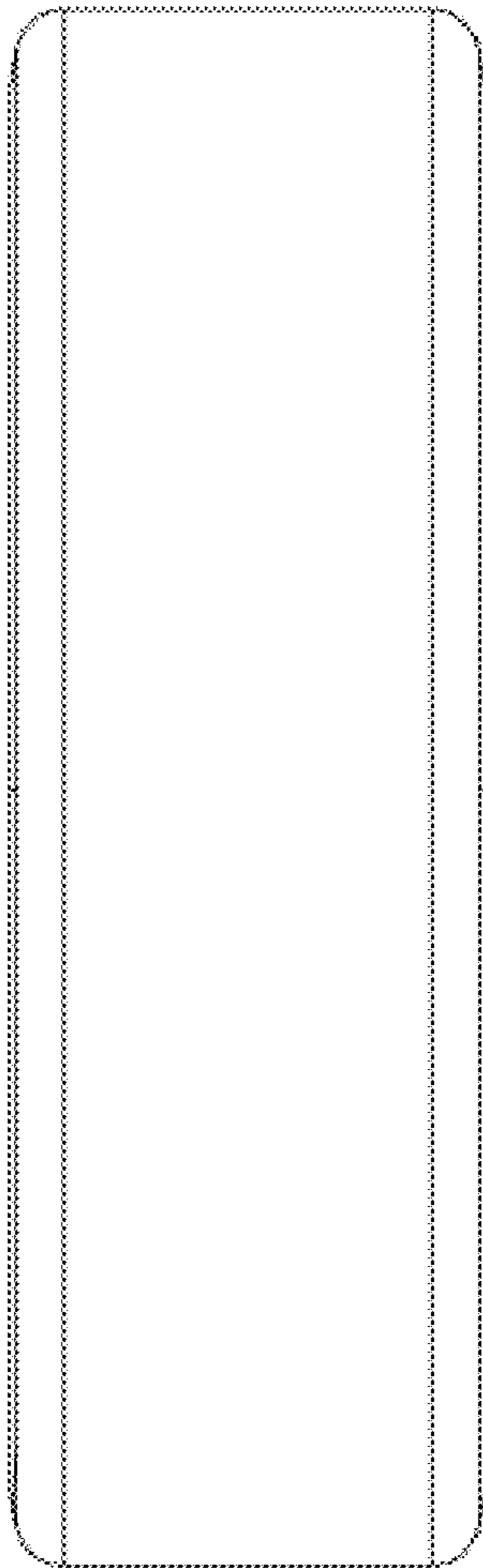


FIG. 5

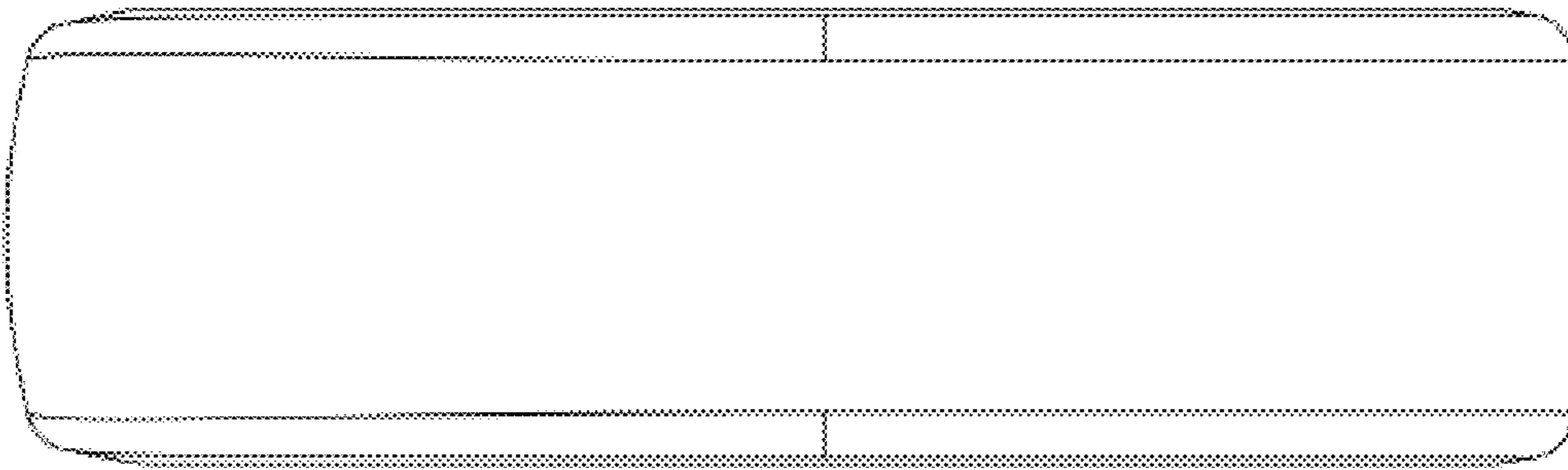


FIG. 6

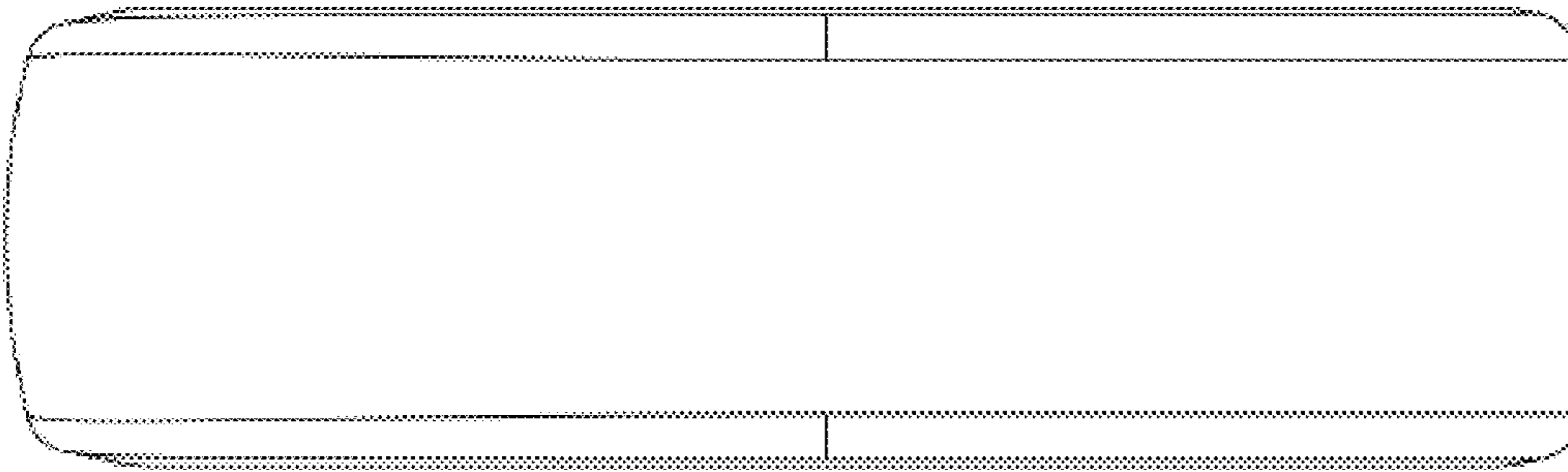


FIG. 7

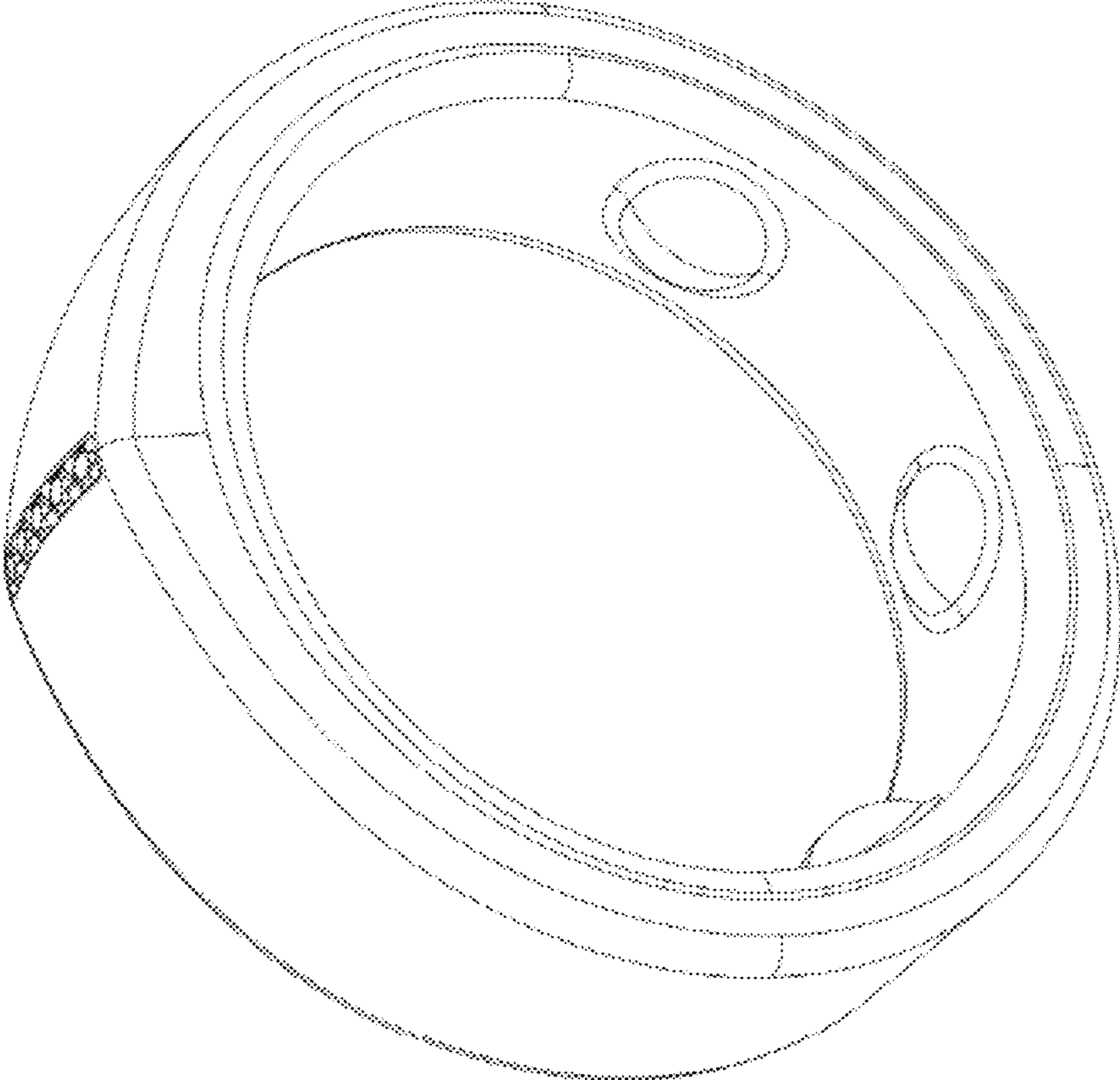


FIG. 8

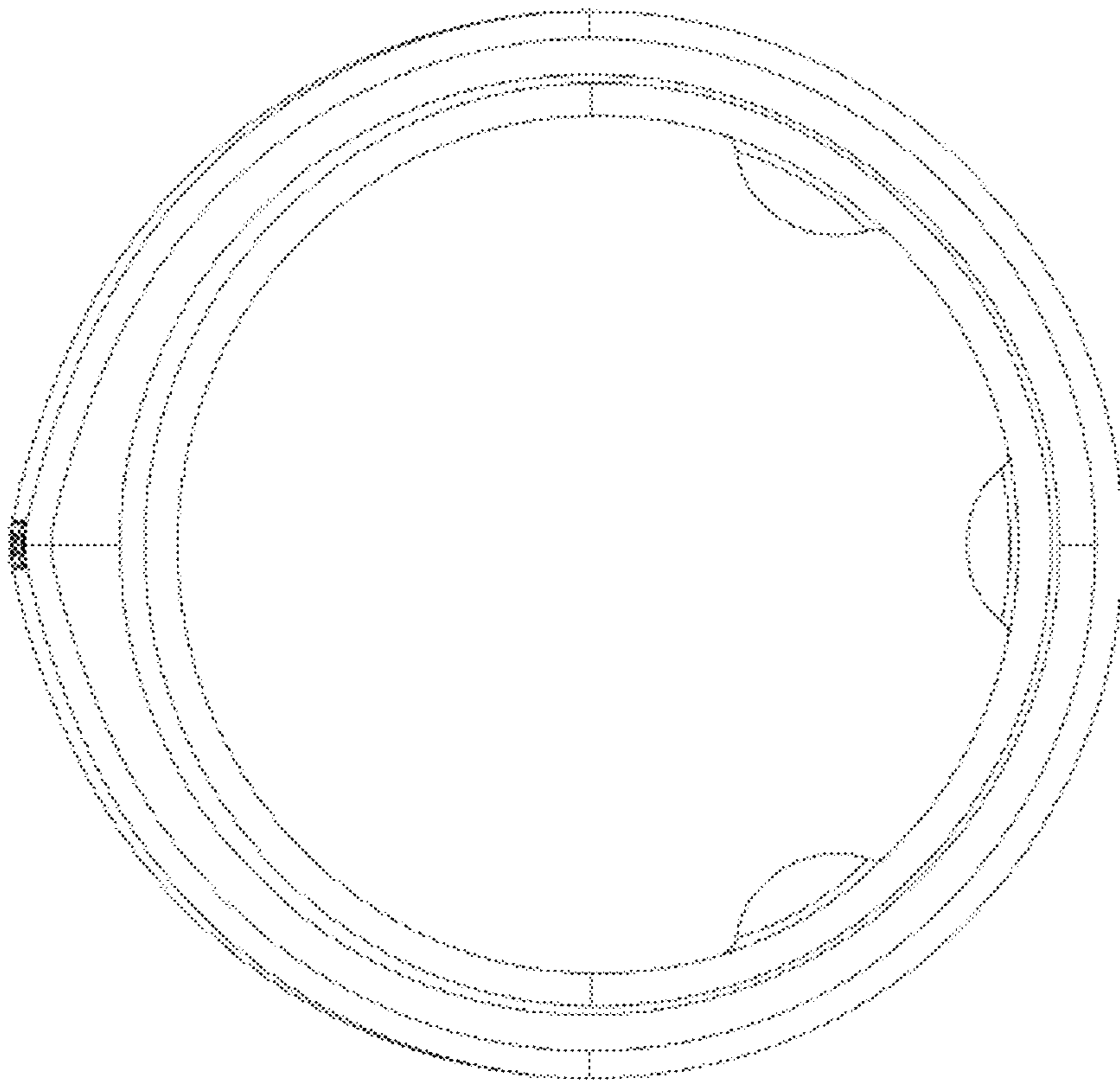


FIG. 9

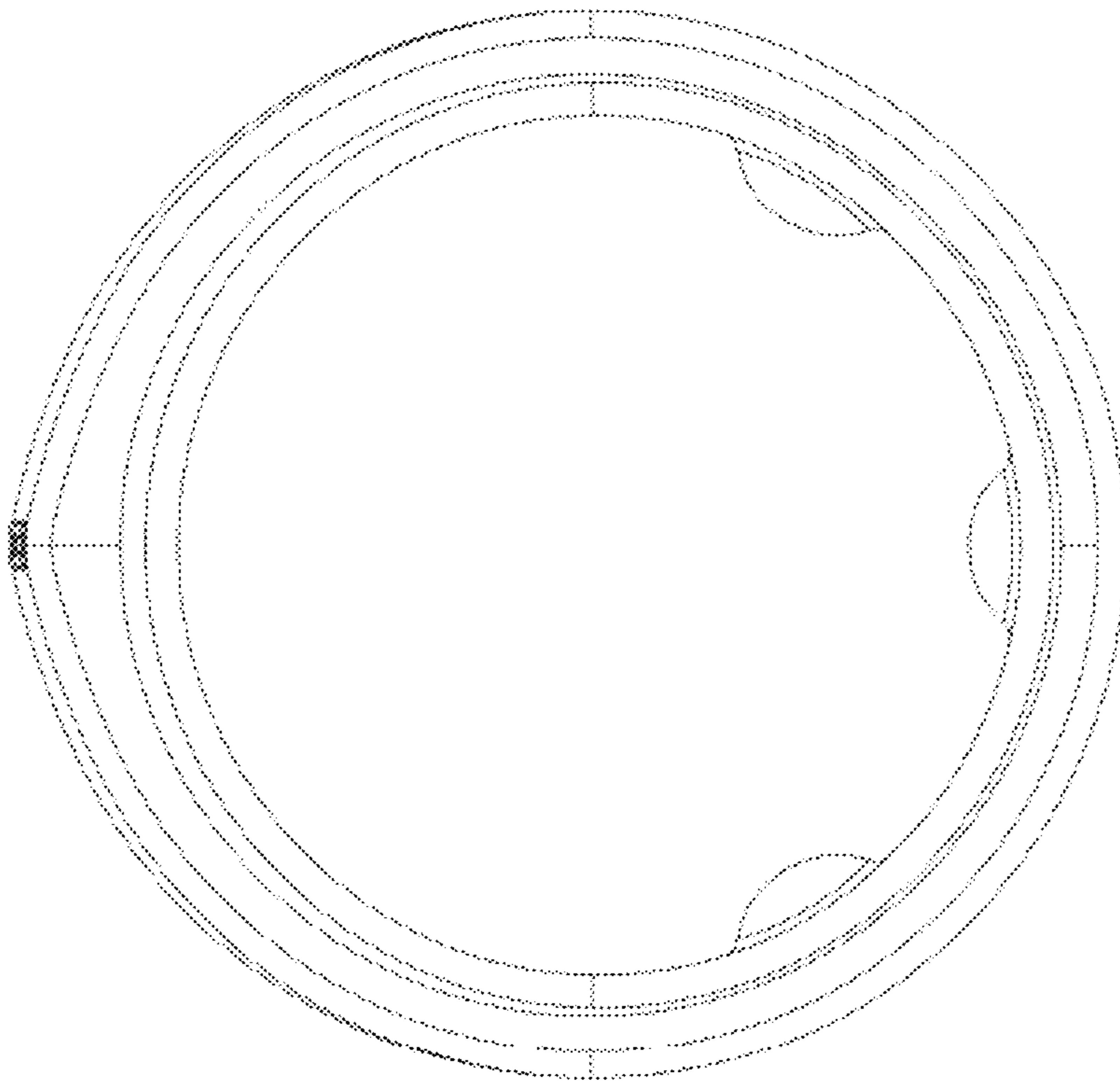


FIG. 10

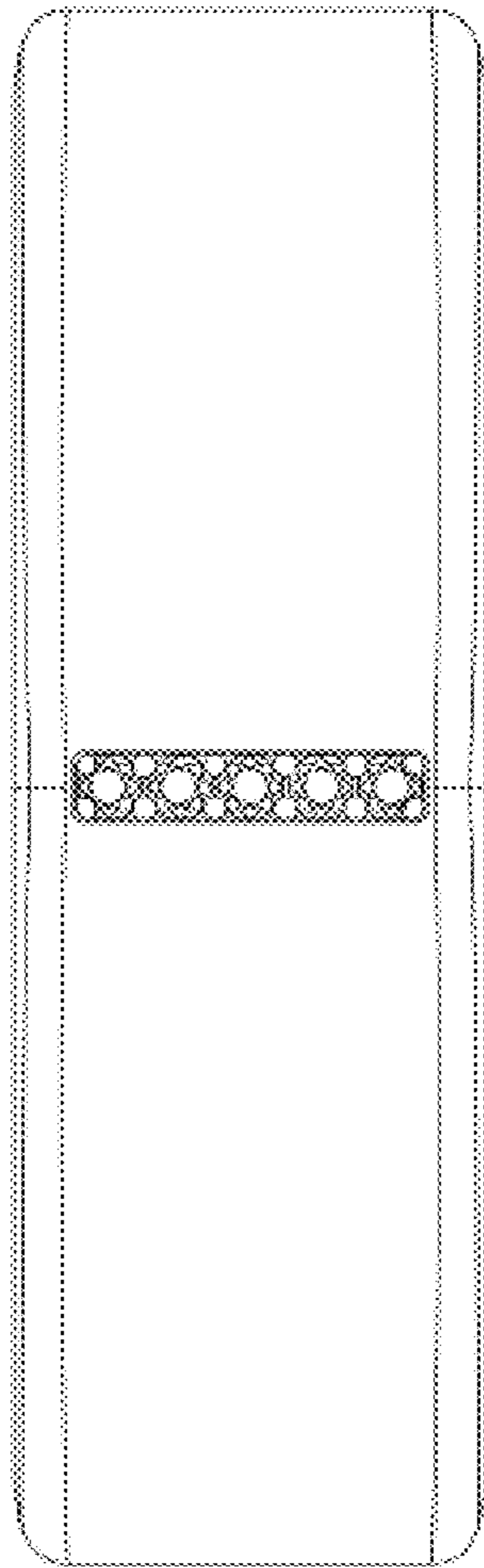


FIG. 11

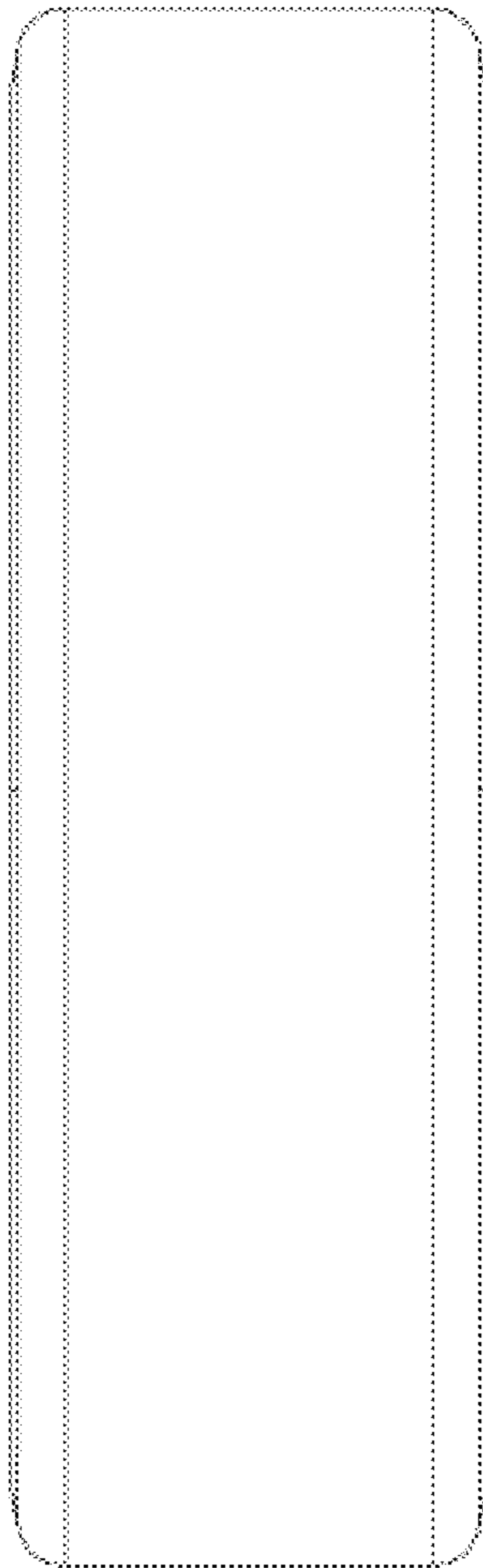


FIG. 12

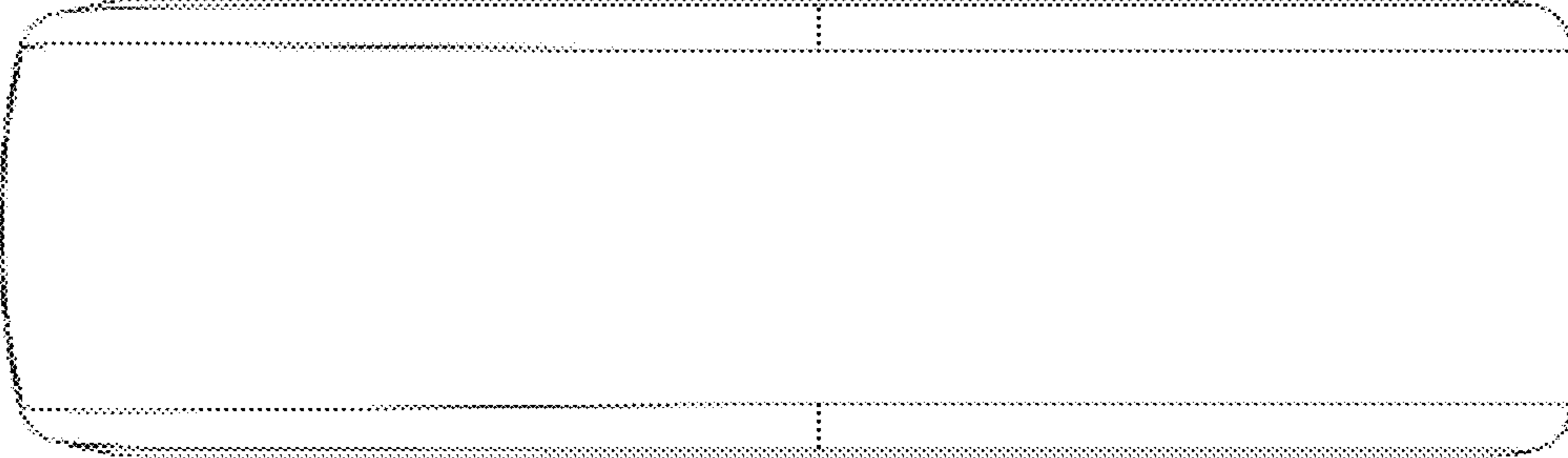


FIG. 13

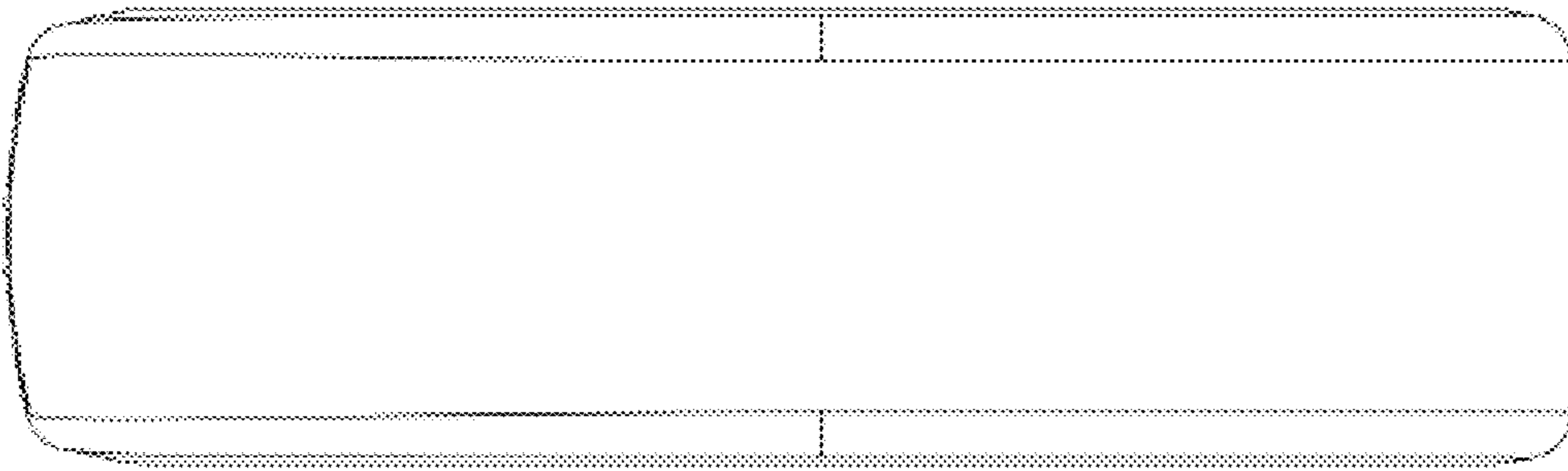


FIG. 14