



US00D884500S

(12) **United States Design Patent**  
**Song**

(10) **Patent No.:** **US D884,500 S**

(45) **Date of Patent:** **\*\* May 19, 2020**

(54) **THERMOMETER**

(71) Applicant: **Miaoxing Song**, Shaoxing (CN)

(72) Inventor: **Miaoxing Song**, Shaoxing (CN)

(\*\*) Term: **15 Years**

(21) Appl. No.: **29/717,323**

(22) Filed: **Dec. 17, 2019**

(51) **LOC (12) Cl.** ..... **10-04**

(52) **U.S. Cl.**  
USPC ..... **D10/57**

(58) **Field of Classification Search**  
USPC ..... D10/57  
CPC ..... G01K 1/00; G01K 1/02; G01K 1/024;  
G01K 1/143; G01K 1/146; G01K 13/02;  
G01K 13/002; G01K 2207/02; G01K  
2207/04; G01K 2207/06; G01K 2207/08;  
G01K 5/08; G01K 5/70; G01K 5/72;  
G01K 1/022; G01K 1/04; G01K 1/045;  
G01L 19/16; G01D 13/00; G01D 13/02;  
G01D 13/04; G01D 13/06; G01D 13/08;  
G01D 13/10; G01D 13/12; G01D 13/14;  
G01D 13/16; G01D 13/18; G01D 13/20;  
G01D 13/22; G01D 13/24; G01D 13/26;  
G01D 13/265; G01D 13/28; G01D 11/24;  
G01D 11/245; G01D 11/26; G01D 11/28

See application file for complete search history.

(56) **References Cited**

U.S. PATENT DOCUMENTS

D100,771 S *	8/1936	Guild .....	D10/102
D182,846 S *	5/1958	Olsen .....	D10/57
D197,441 S *	2/1964	Solecki et al. ....	D10/53
D309,269 S *	7/1990	Tanaka .....	D10/57
D457,822 S	5/2002	Rushton	
D573,904 S	7/2008	Lawler et al.	
D688,142 S	8/2013	Jacques	
D866,358 S	11/2019	Lien	

\* cited by examiner

*Primary Examiner* — Antoine Duval Davis

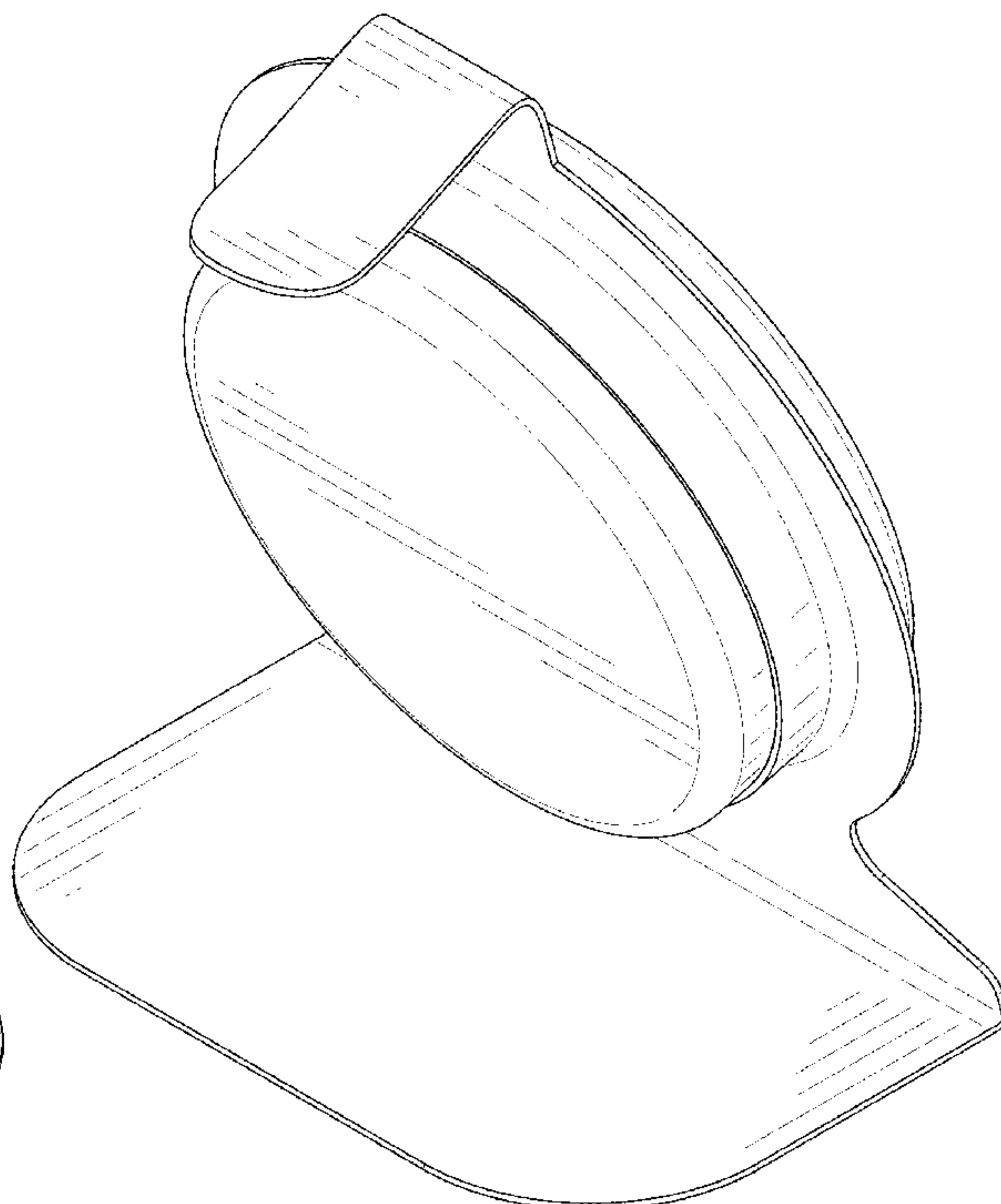
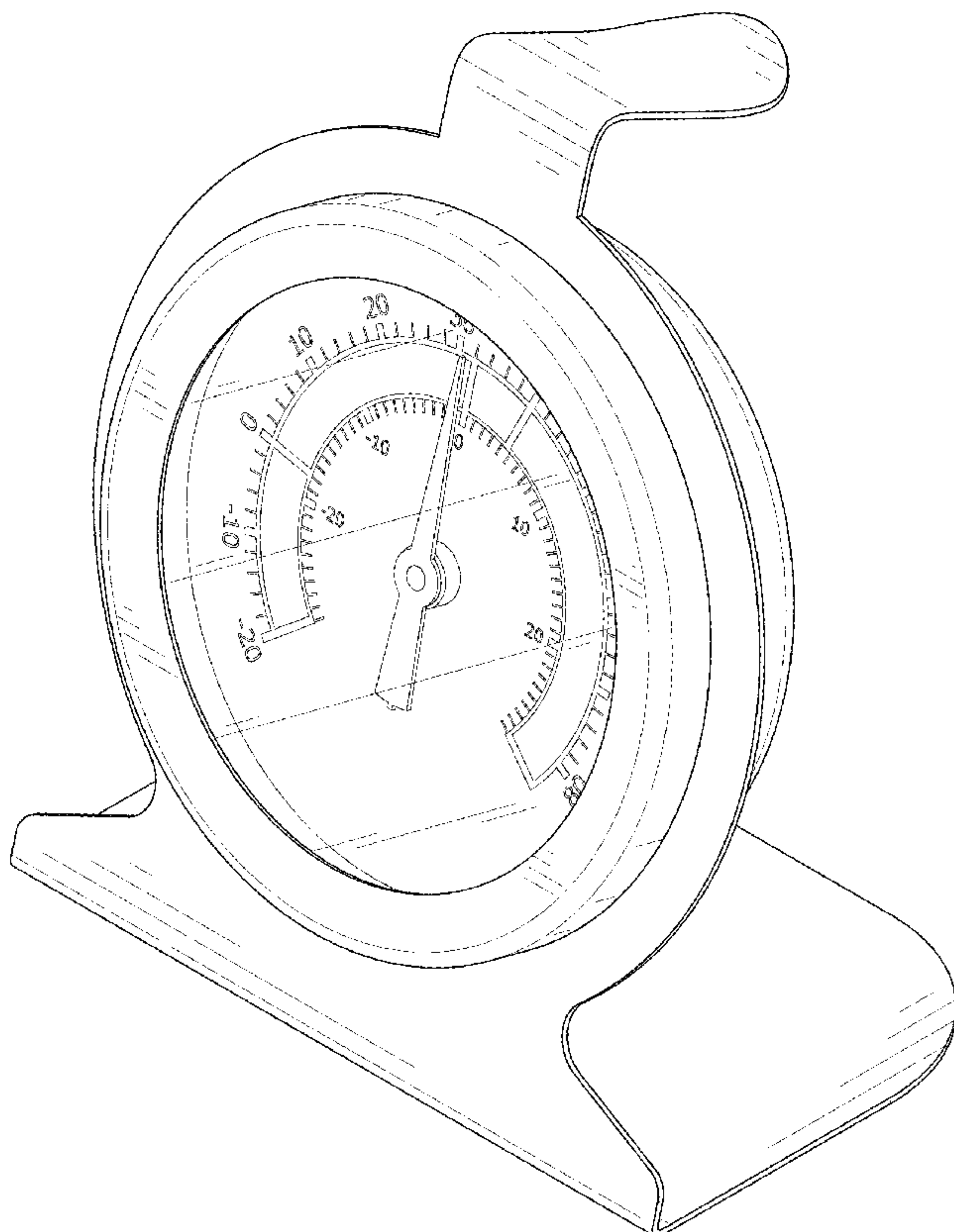
(57) **CLAIM**

The ornamental design for a thermometer, as shown and described.

**DESCRIPTION**

FIG. 1 is a perspective view of a thermometer showing my new design;  
FIG. 2 is another perspective view thereof;  
FIG. 3 is a front elevational view thereof;  
FIG. 4 is a rear elevational view thereof;  
FIG. 5 is a left side elevational view thereof;  
FIG. 6 is a right side elevational view thereof;  
FIG. 7 is a top plan view thereof; and,  
FIG. 8 is a bottom plan view thereof.

**1 Claim, 8 Drawing Sheets**



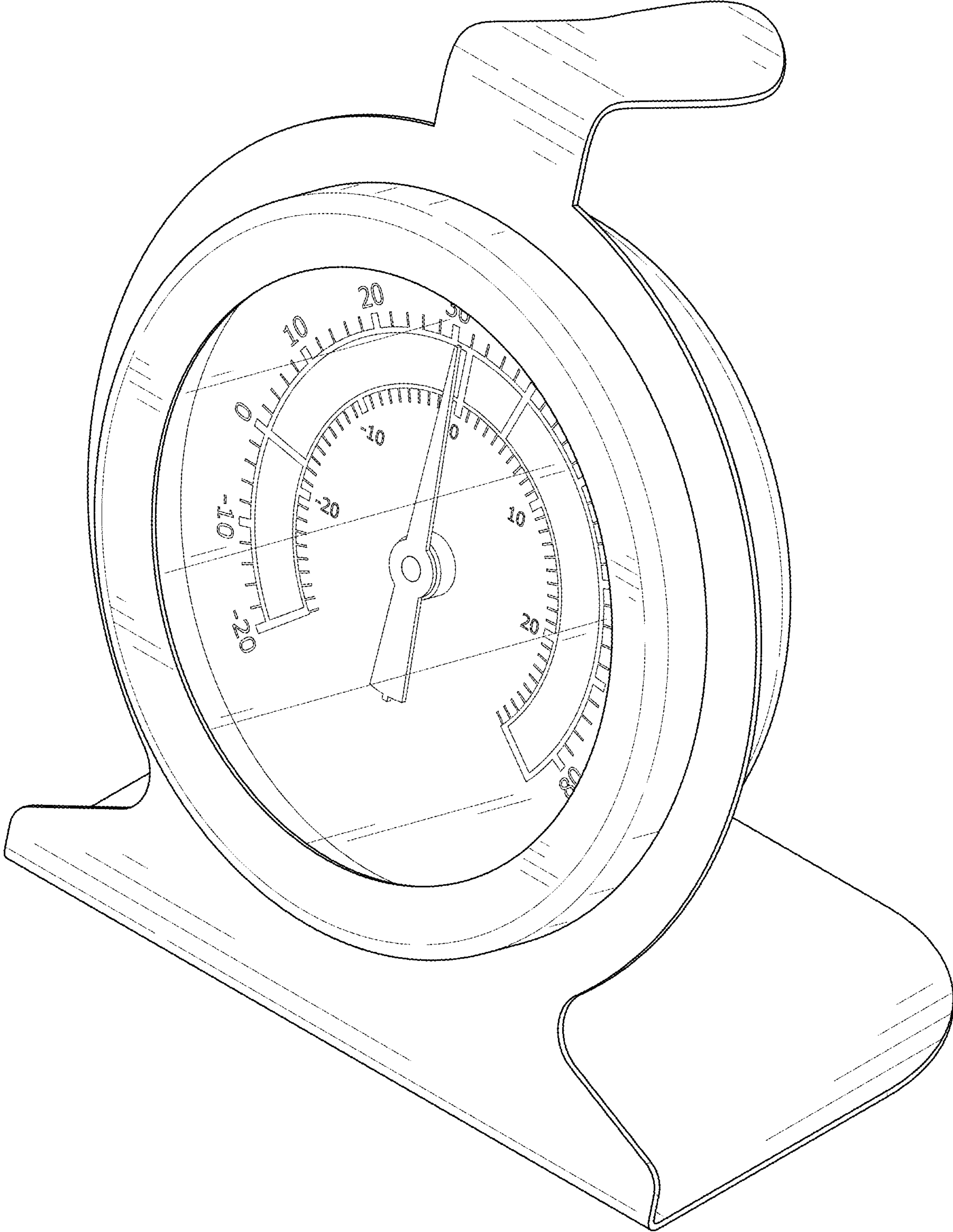


FIG. 1

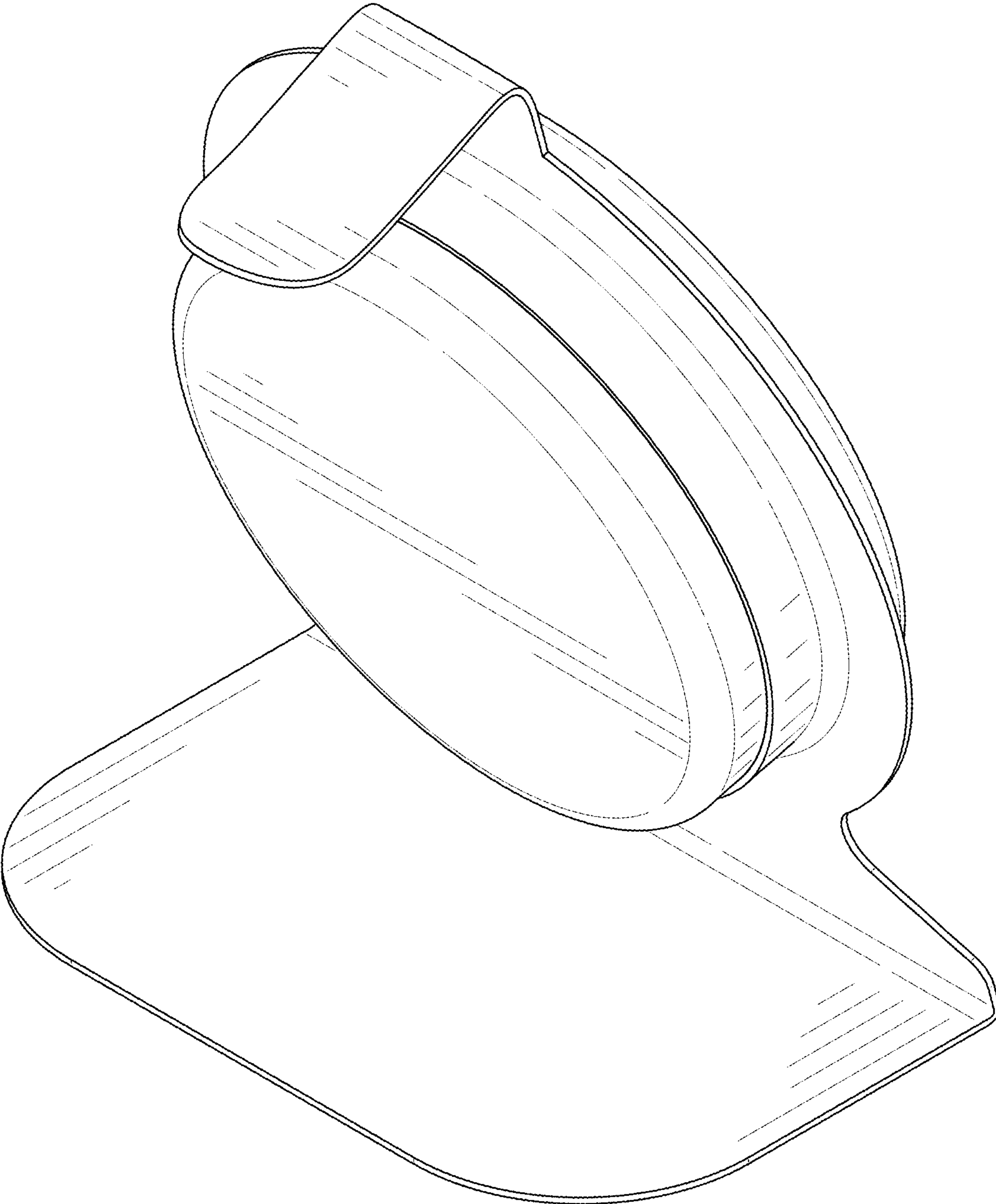


FIG. 2



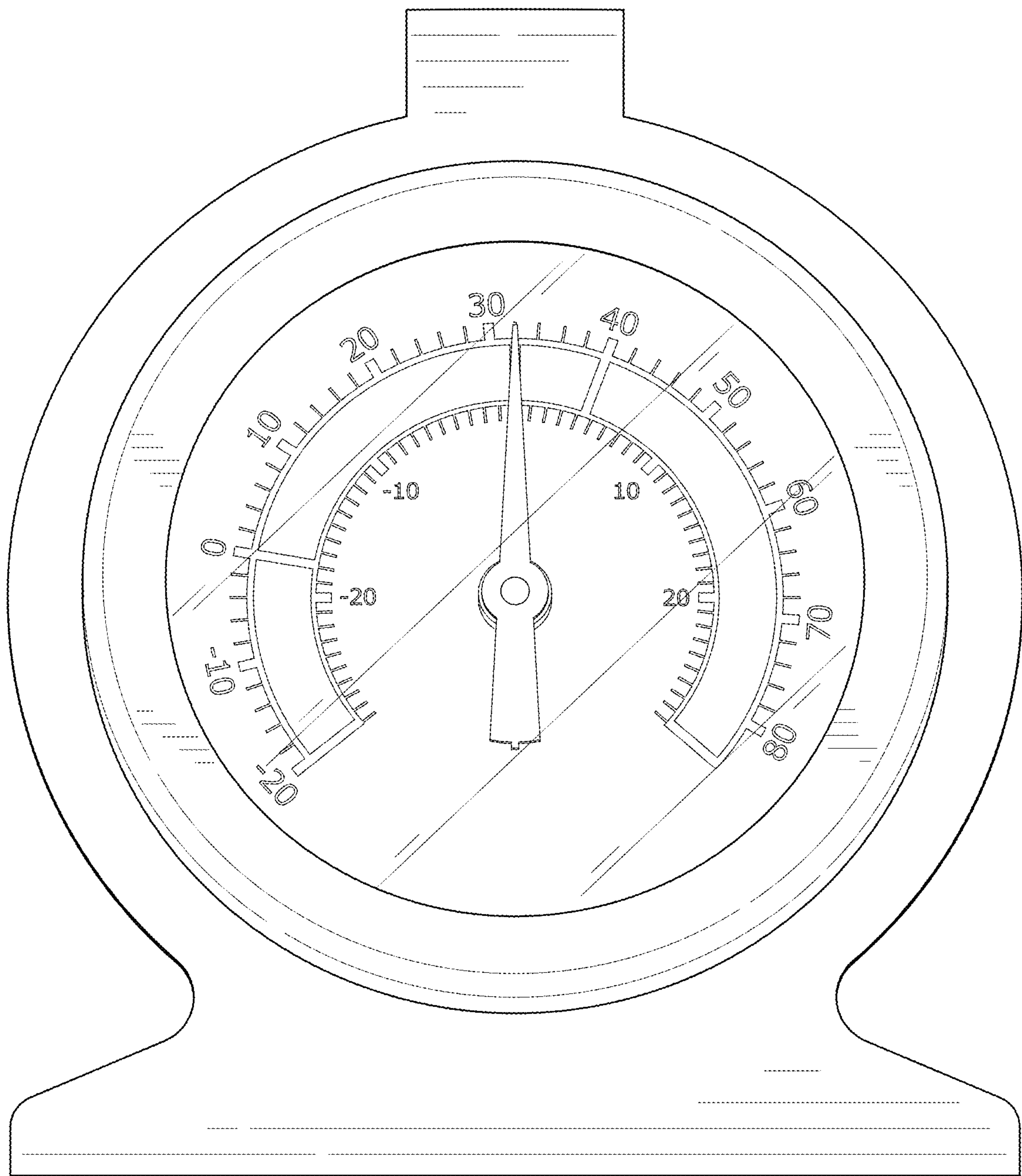


FIG. 3

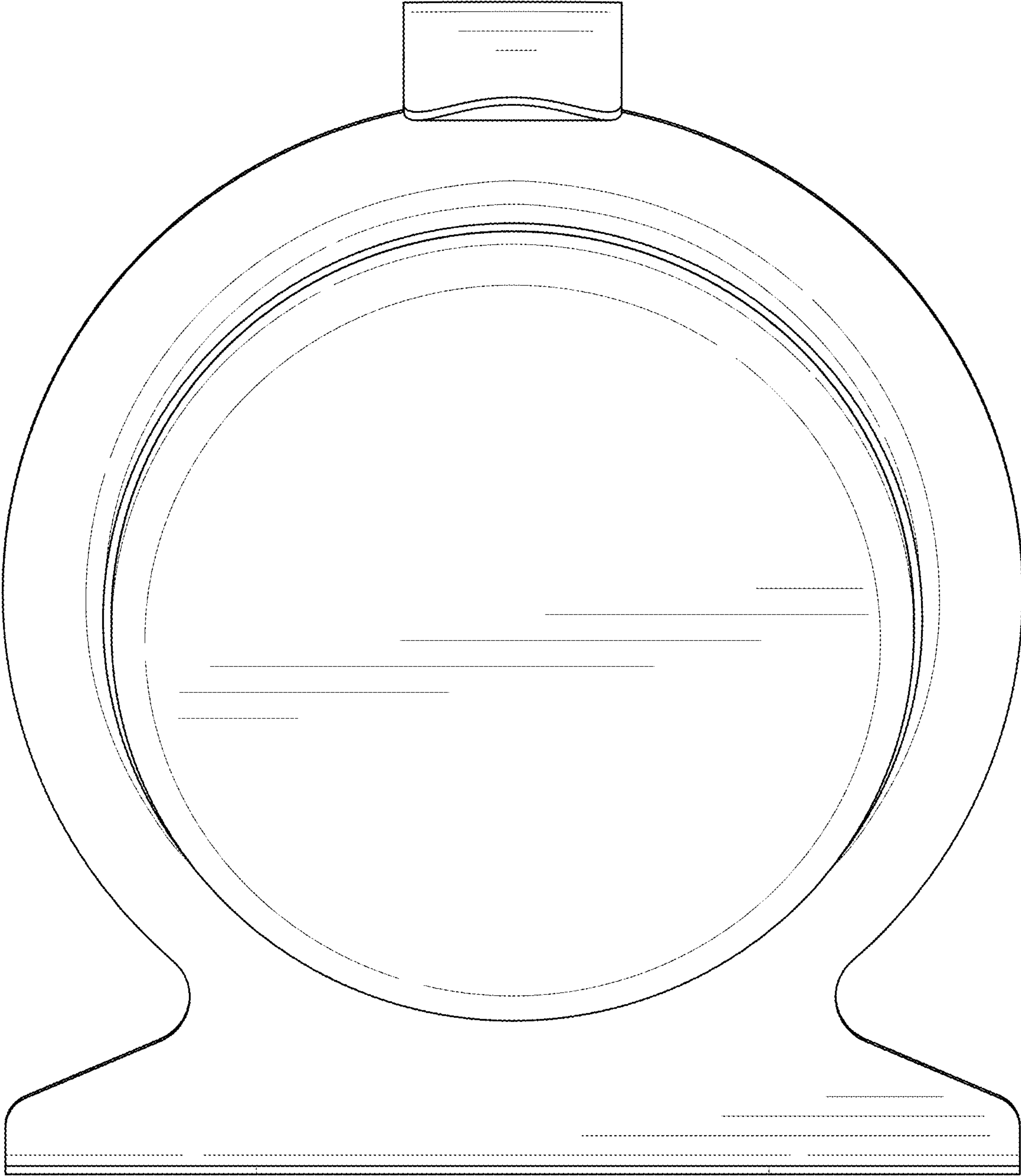


FIG. 4

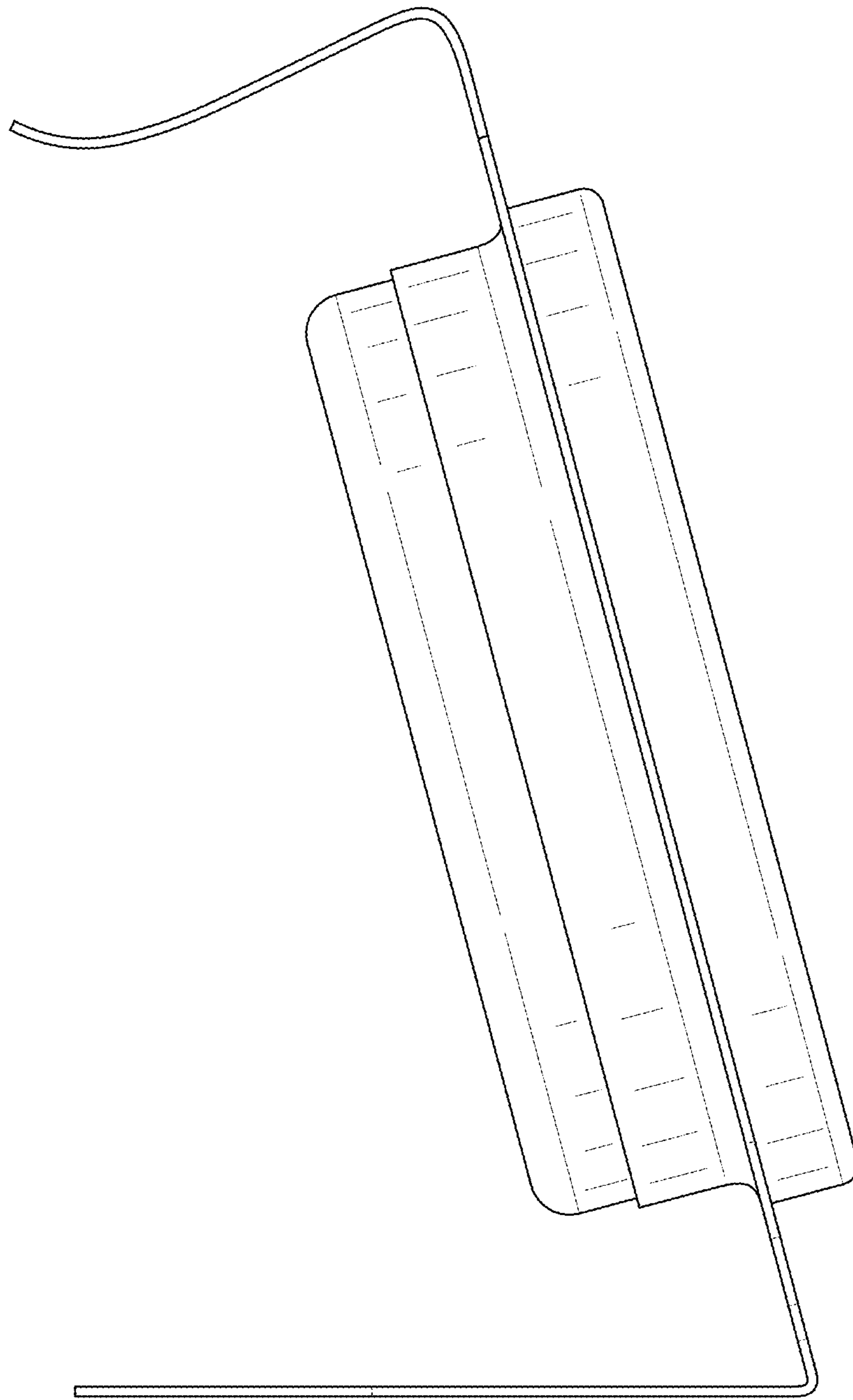


FIG. 5

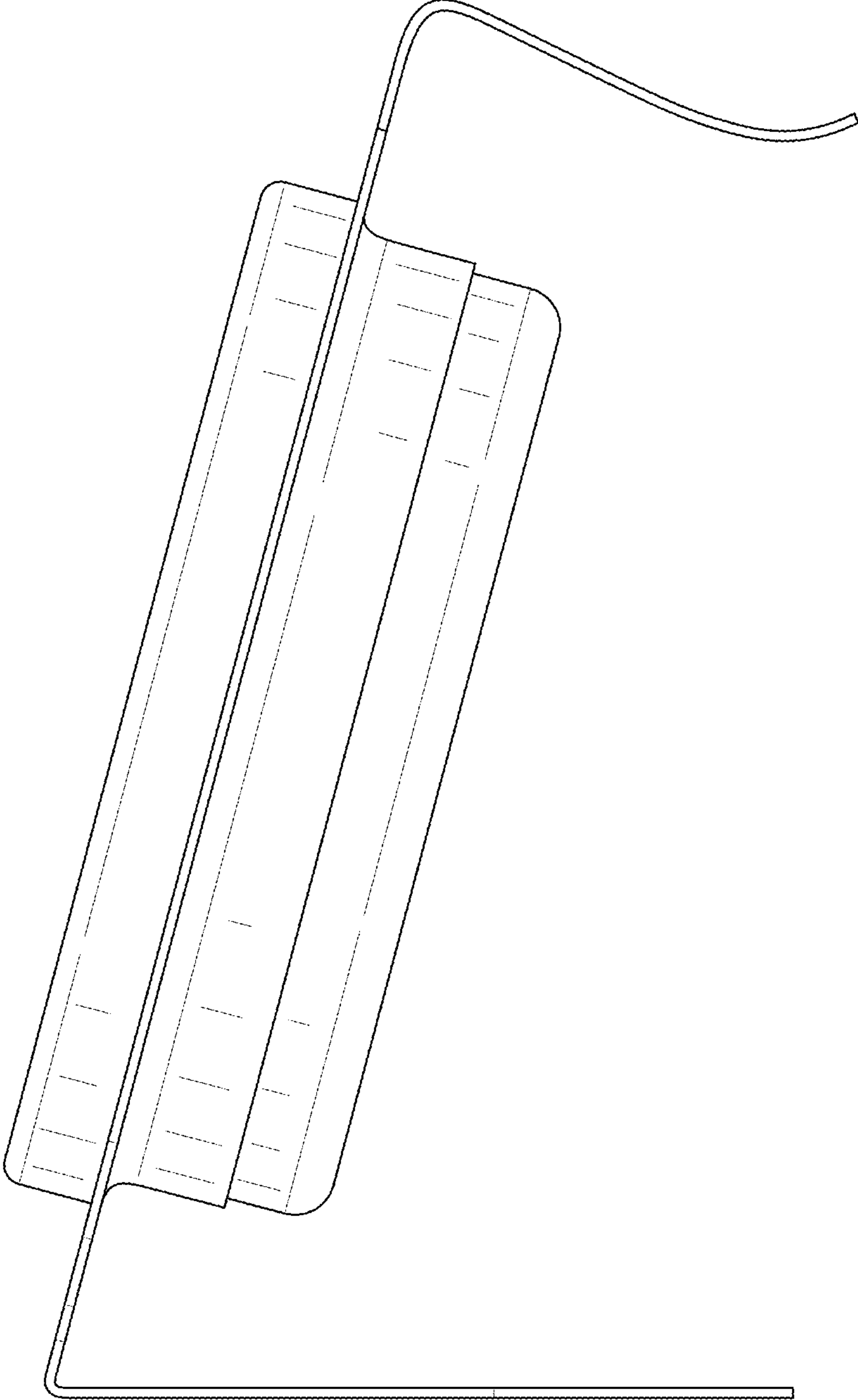


FIG. 6

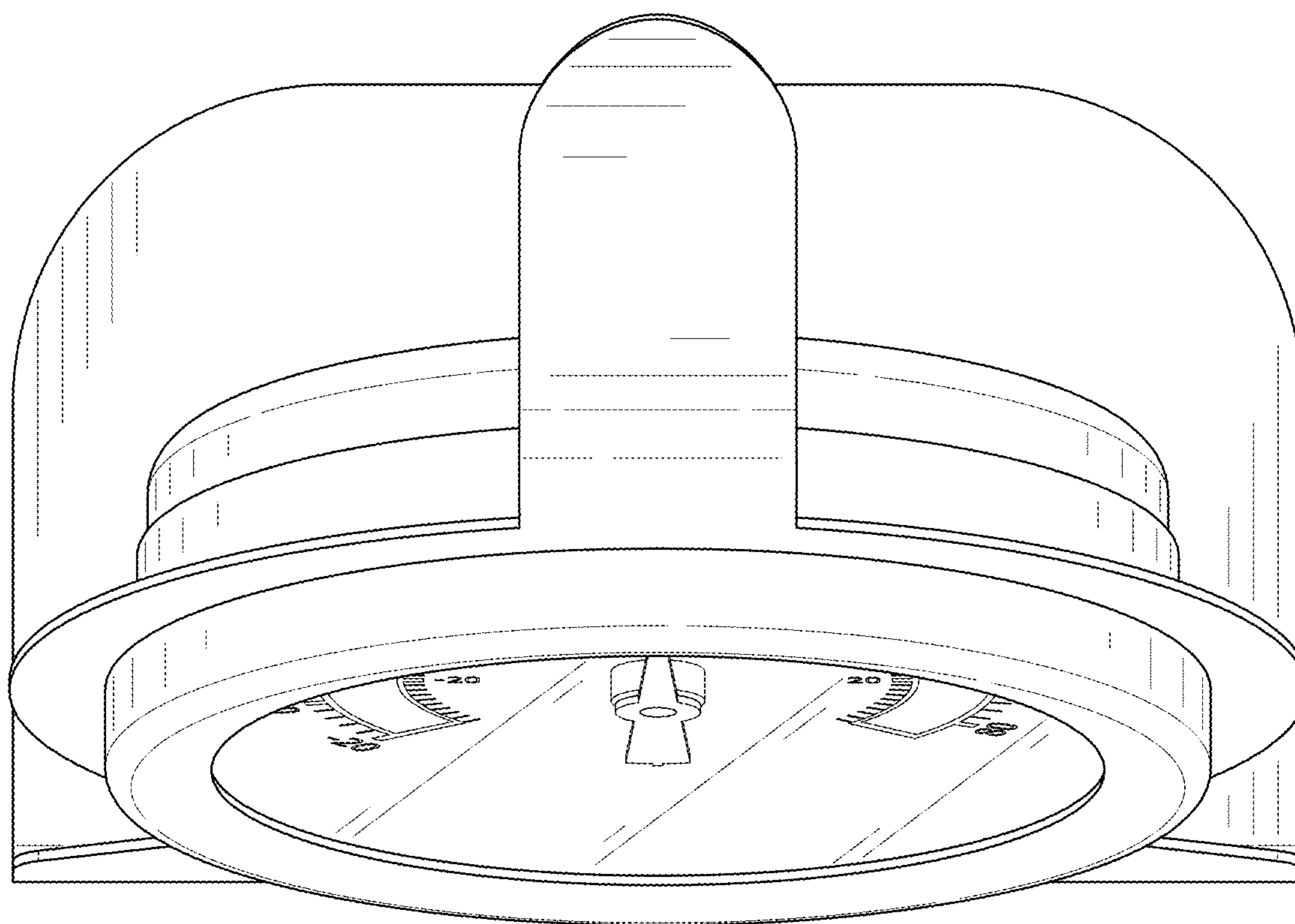


FIG. 7



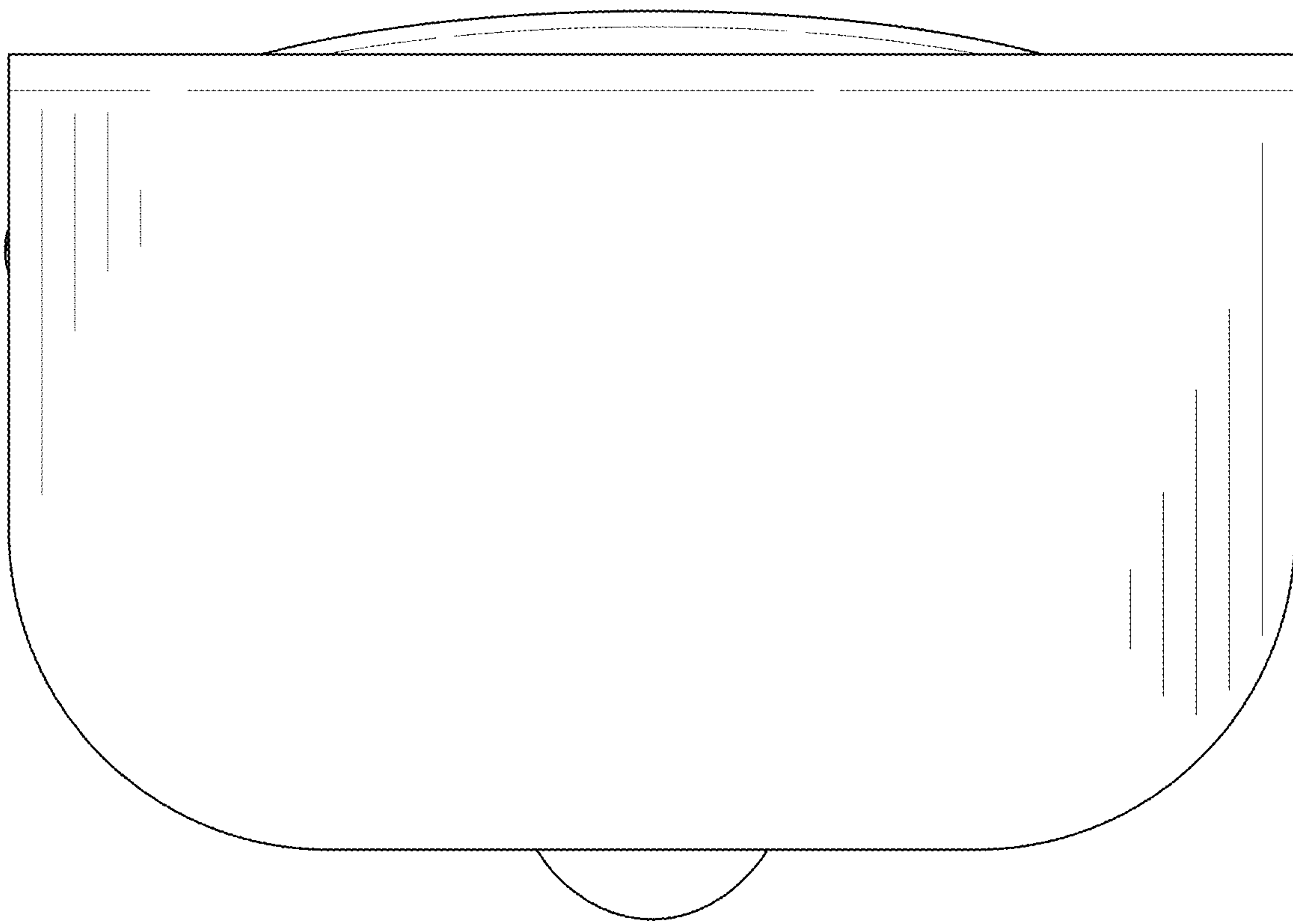


FIG. 8