



US00D884499S

(12) **United States Design Patent** (10) **Patent No.:** **US D884,499 S**  
**Yi** (45) **Date of Patent:** **\*\* May 19, 2020**

(54) **FOOD THERMOMETER**

D871,934 S \* 1/2020 Wu ..... G01K 1/08  
D10/57

(71) Applicant: **Jianjun Yi**, Shaoyang (CN)

\* cited by examiner

(72) Inventor: **Jianjun Yi**, Shaoyang (CN)

*Primary Examiner* — Antoine Duval Davis

(\*\*) Term: **15 Years**

(74) *Attorney, Agent, or Firm* — Erson IP (Nelson IP)

(21) Appl. No.: **29/711,801**

(57) **CLAIM**

The ornamental design for a food thermometer, as shown and described.

(22) Filed: **Nov. 3, 2019**

**DESCRIPTION**

(51) **LOC (12) Cl.** ..... **10-04**

(52) **U.S. Cl.**  
USPC ..... **D10/57**

(58) **Field of Classification Search**  
USPC ..... D10/57  
CPC ..... G01K 2207/02; G01K 2207/04; G01K  
2207/06; G01K 2207/08  
See application file for complete search history.

FIG. 1 is a perspective view of a food thermometer showing my new design;  
FIG. 2 is another perspective view thereof;  
FIG. 3 is a front view thereof;  
FIG. 4 is a rear view thereof;  
FIG. 5 is a left side view thereof;  
FIG. 6 is a right side view thereof;  
FIG. 7 is a top plan view thereof;  
FIG. 8 is a bottom plan view thereof;  
FIG. 9 is an enlarged view of FIG. 5; and,  
FIG. 10 is an enlarged view of FIG. 6.

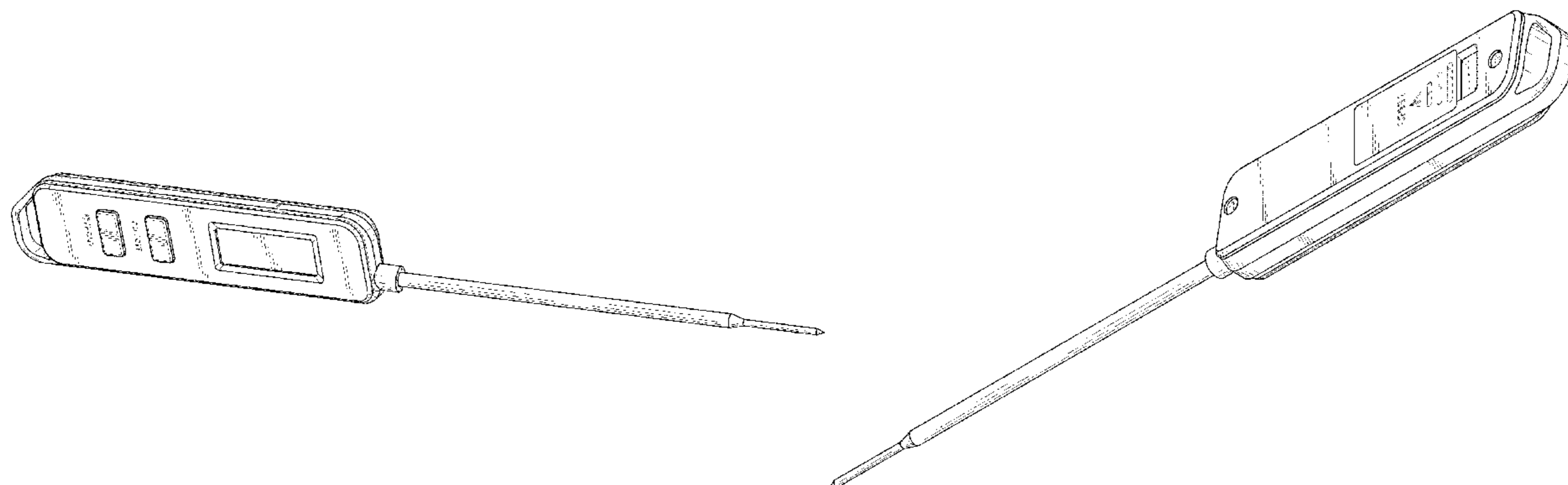
The broken lines are for the purposes of illustrating portions of the food thermometer and form no part of the claimed design.

(56) **References Cited**

**U.S. PATENT DOCUMENTS**

D545,223 S 6/2007 Chen  
7,711,515 B2 \* 5/2010 Burdett ..... G01K 1/02  
340/584  
10,288,491 B2 \* 5/2019 Ganrude ..... G01K 1/08  
D852,654 S 7/2019 Zou

**1 Claim, 10 Drawing Sheets**



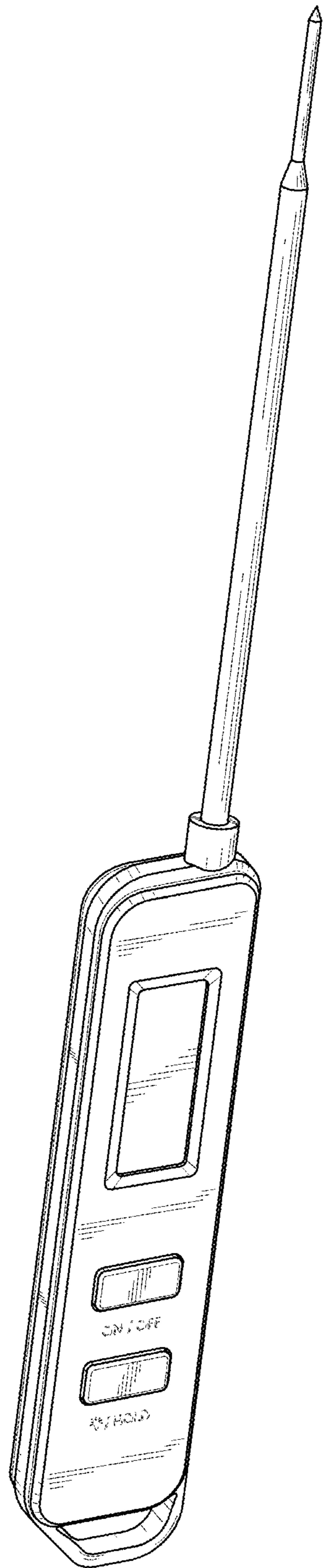


FIG. 1

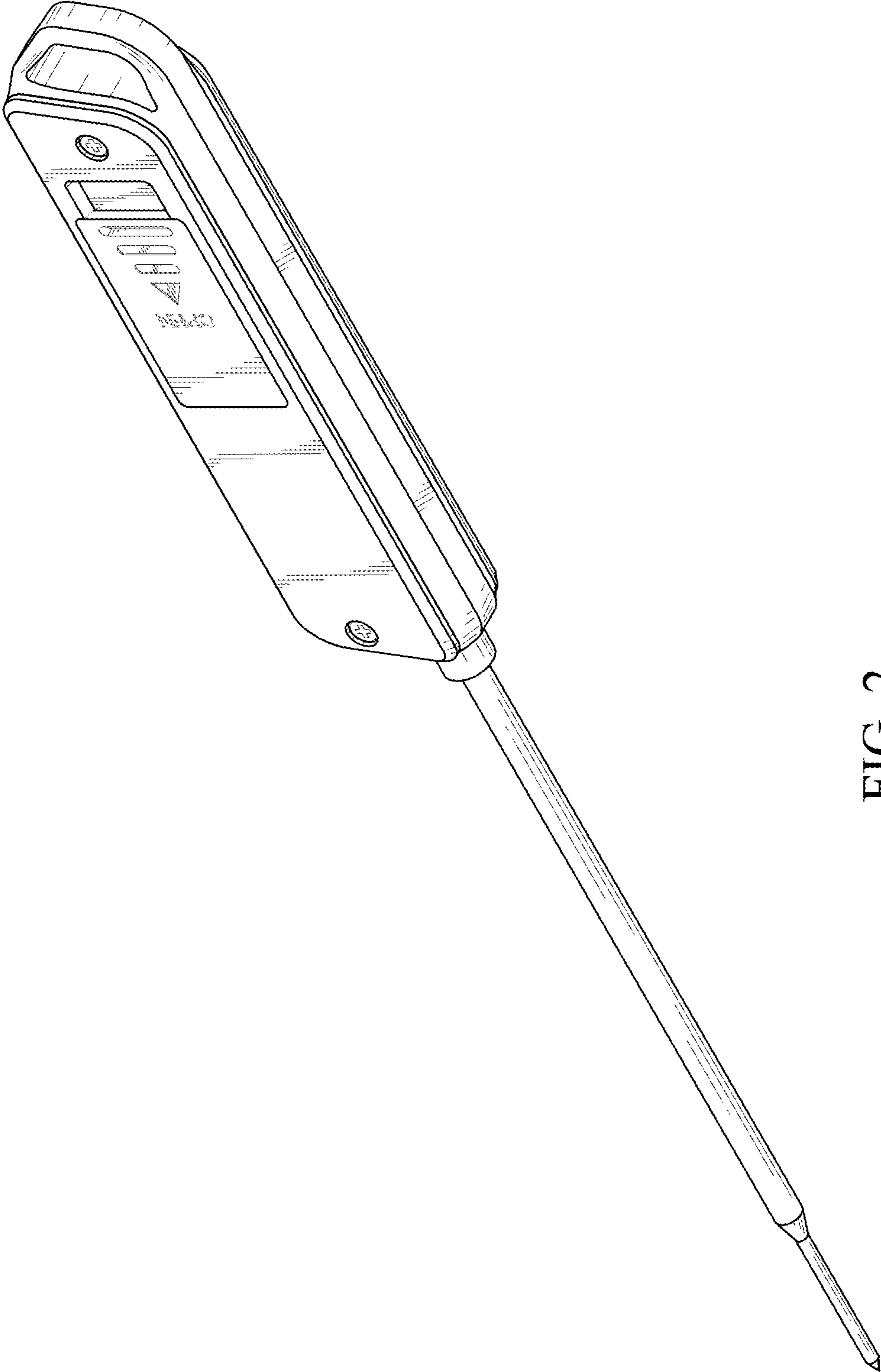


FIG. 2

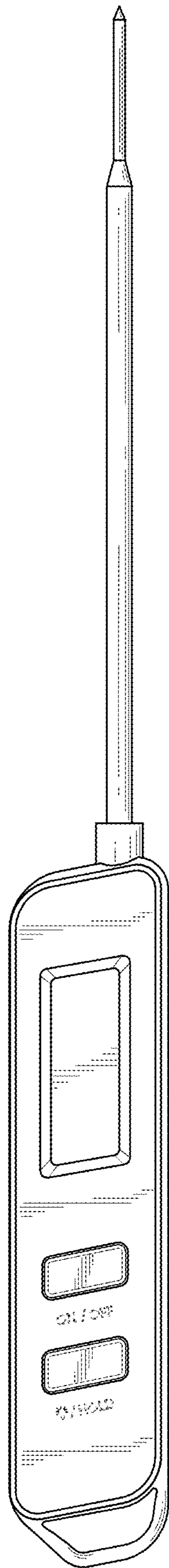


FIG. 3

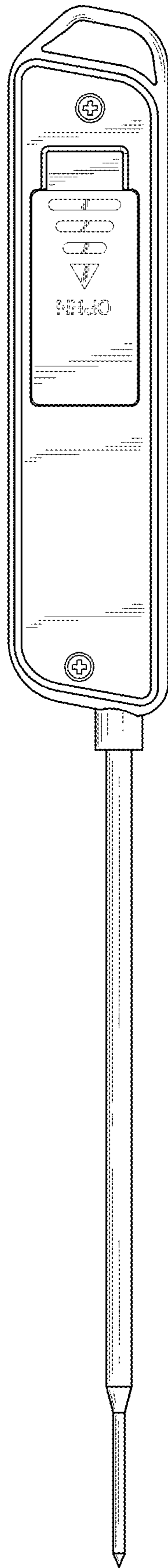


FIG. 4

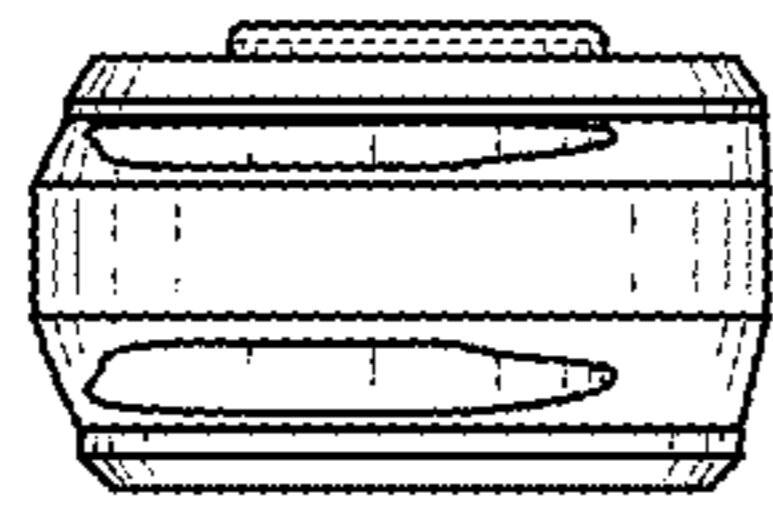


FIG. 5

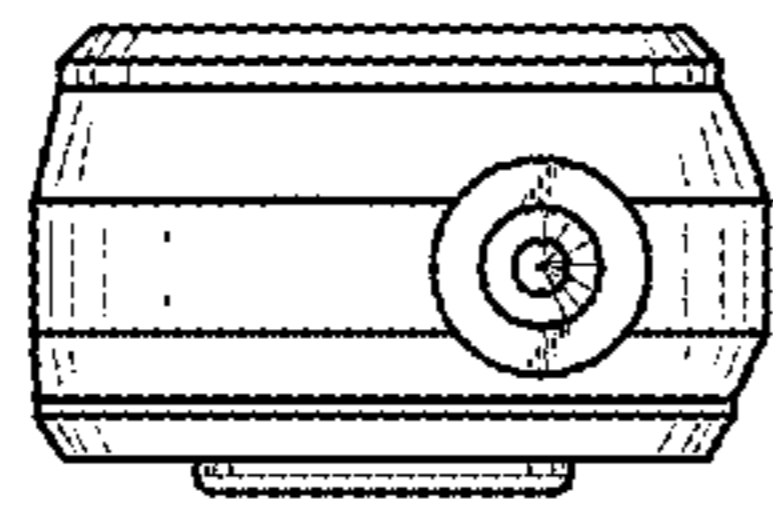


FIG. 6

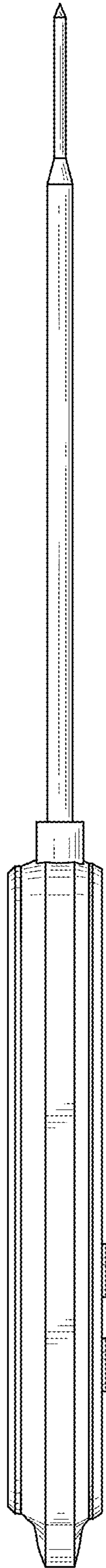


FIG. 7



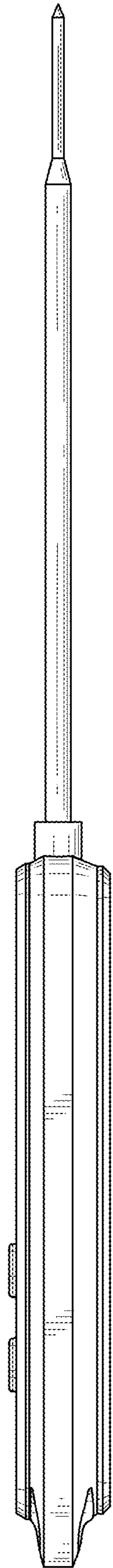


FIG. 8

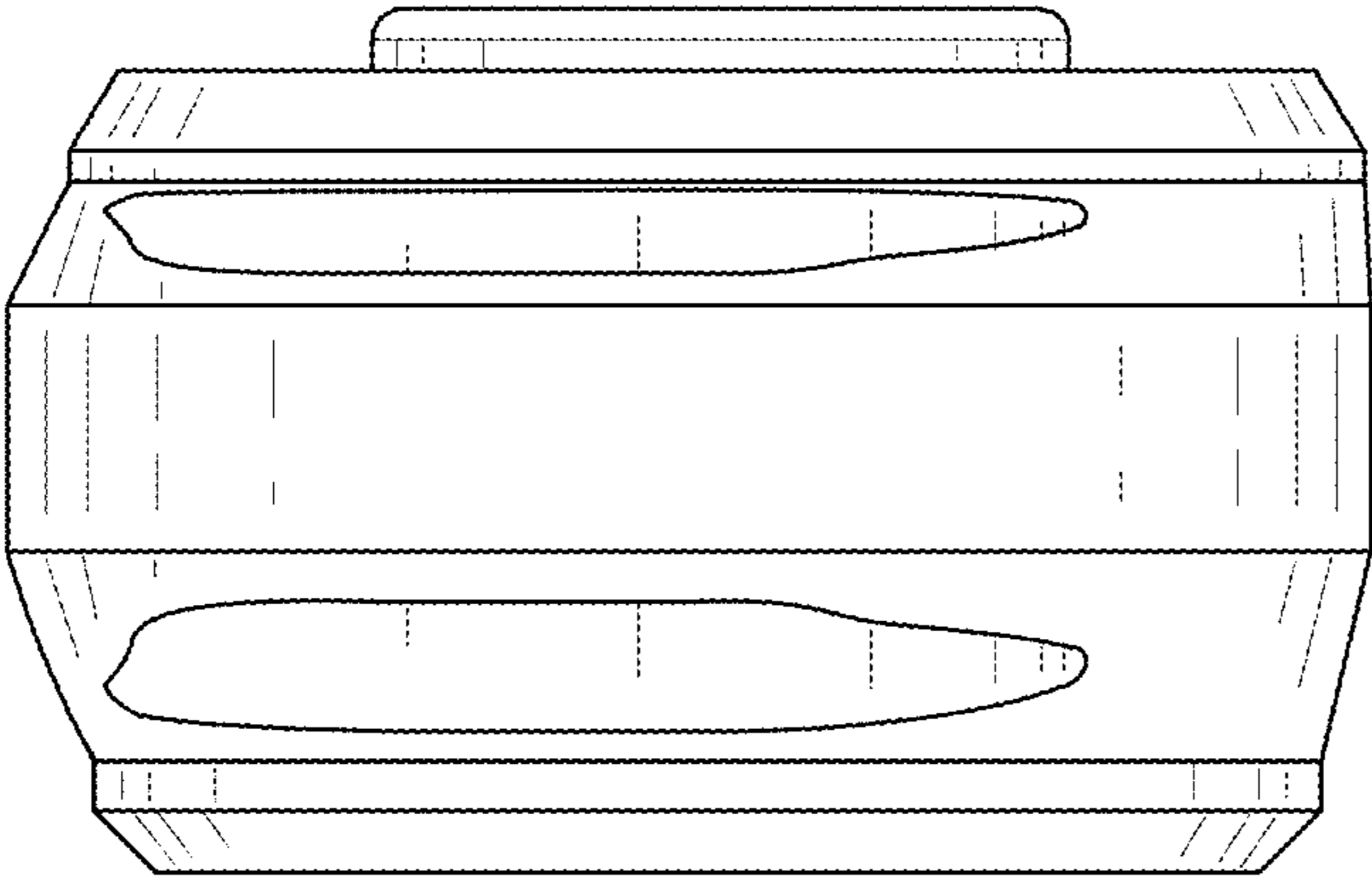


FIG. 9

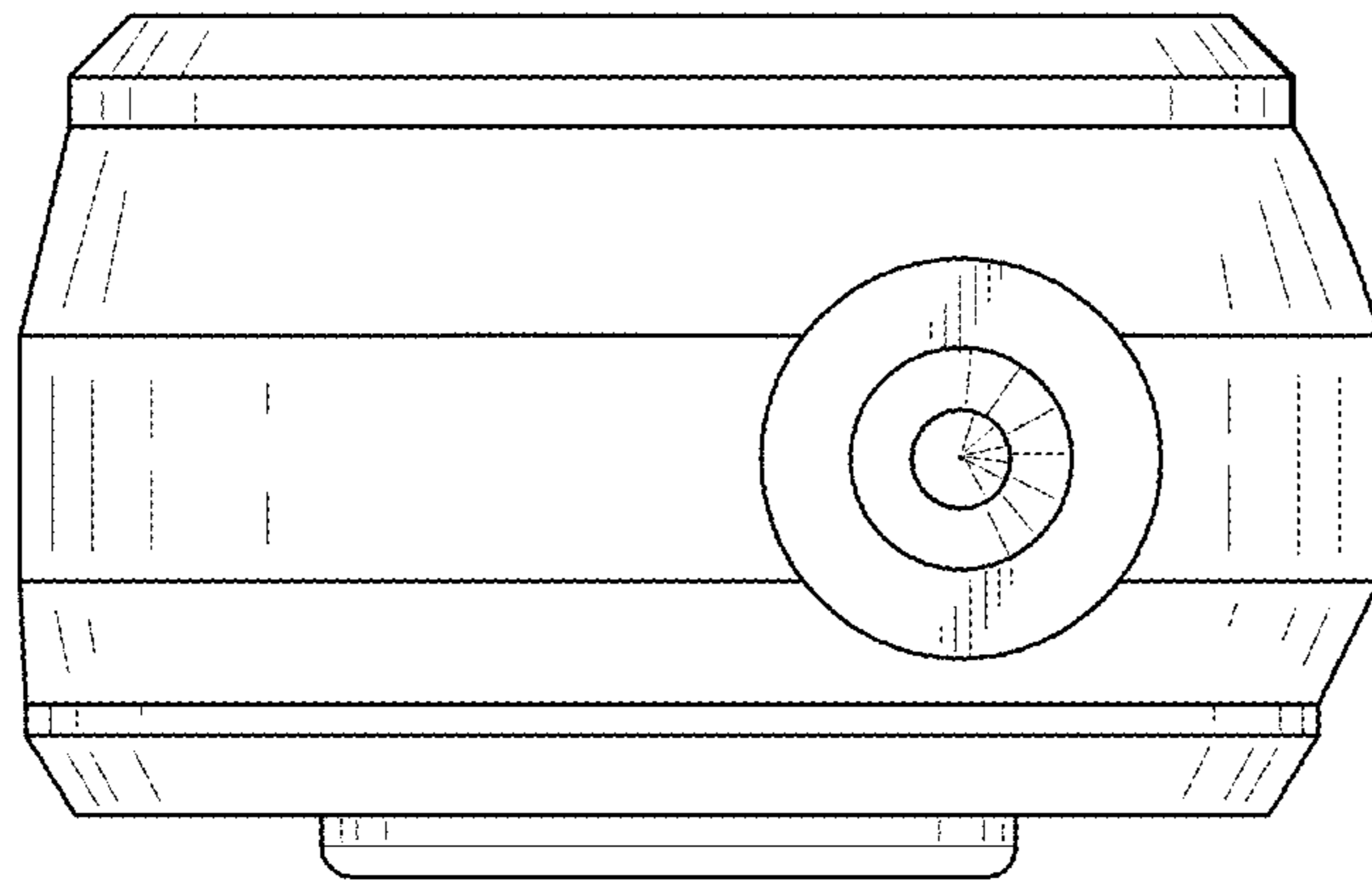


FIG. 10