



US00D884498S

(12) **United States Design Patent** (10) **Patent No.:** **US D884,498 S**
Yi (45) **Date of Patent:** **** May 19, 2020**

(54) **FOOD THERMOMETER**

(71) Applicant: **Jianjun Yi**, Shaoyang (CN)

(72) Inventor: **Jianjun Yi**, Shaoyang (CN)

(**) Term: **15 Years**

(21) Appl. No.: **29/711,800**

(22) Filed: **Nov. 3, 2019**

(51) **LOC (12) Cl.** **10-04**

(52) **U.S. Cl.**
USPC **D10/57**

(58) **Field of Classification Search**
USPC D10/57
CPC G01K 2207/02; G01K 2207/04; G01K
2207/06; G01K 2207/08
See application file for complete search history.

(56) **References Cited**

U.S. PATENT DOCUMENTS

D852,653 S * 7/2019 Zou D10/57
D853,253 S 7/2019 Zuo
D858,320 S 9/2019 Wang

D860,831 S * 9/2019 Zou D10/57

* cited by examiner

Primary Examiner — Antoine Duval Davis

(74) *Attorney, Agent, or Firm* — Erson IP (Nelson IP)

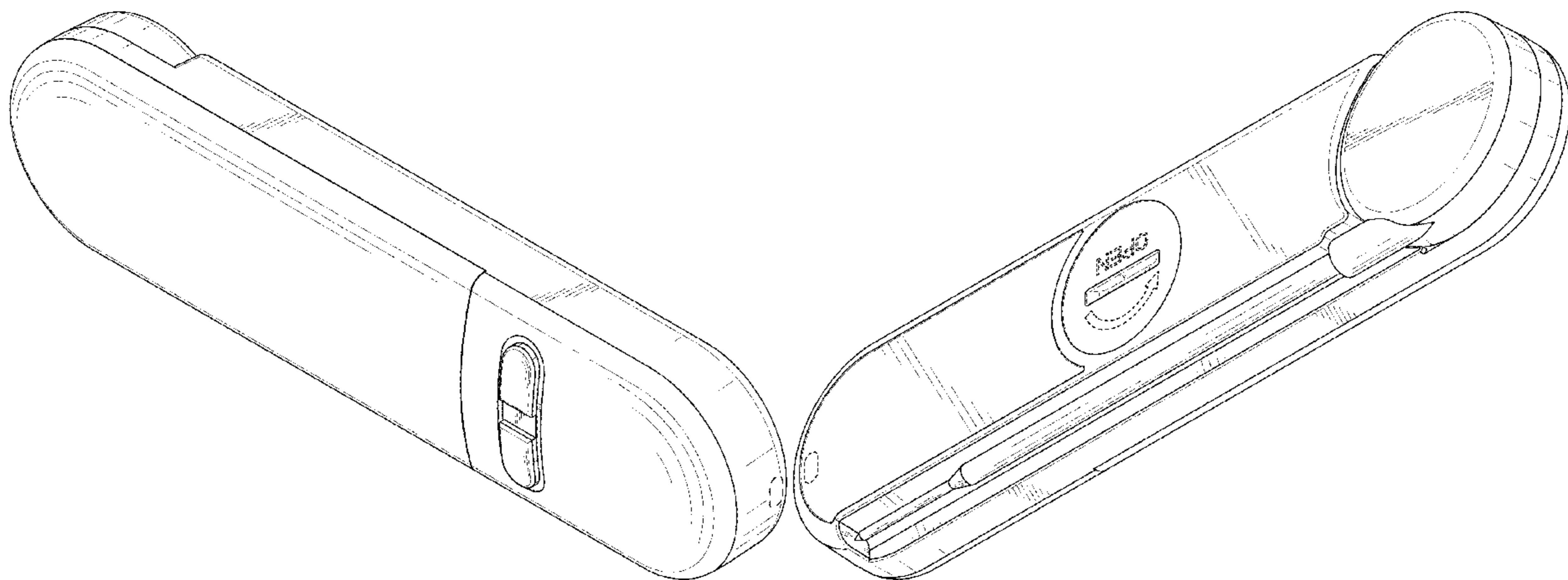
(57) **CLAIM**

The ornamental design for a food thermometer, as shown and described.

DESCRIPTION

FIG. 1 is a perspective view of a food thermometer showing my new design;
FIG. 2 is another perspective view thereof;
FIG. 3 is a front view thereof;
FIG. 4 is a rear view thereof;
FIG. 5 is a left side view thereof;
FIG. 6 is a right side view thereof;
FIG. 7 is a top plan view thereof; and,
FIG. 8 is a bottom plan view thereof.
The broken lines are for the purposes of illustrating portions of the food thermometer and form no part of the claimed design.

1 Claim, 8 Drawing Sheets



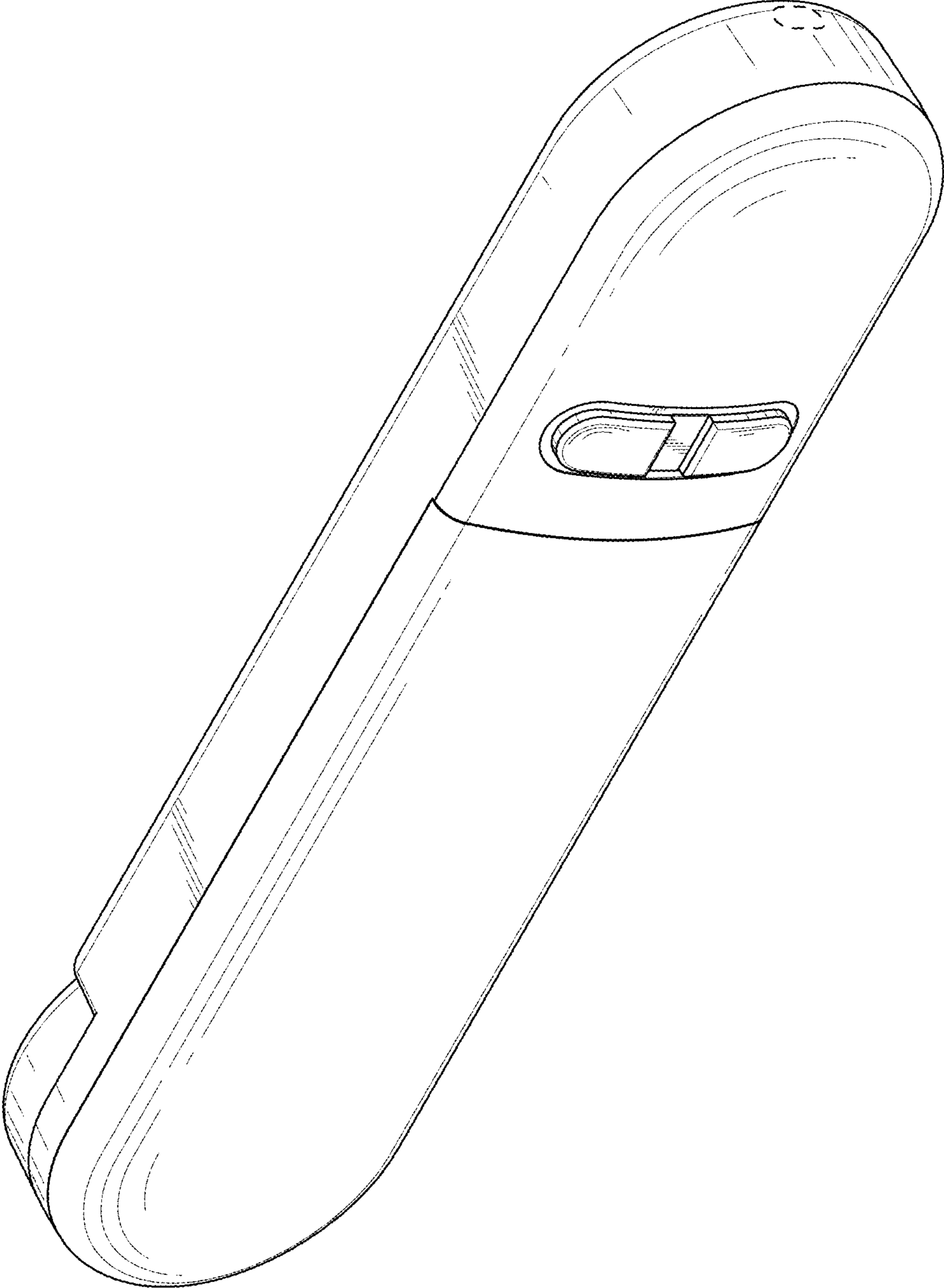


FIG. 1

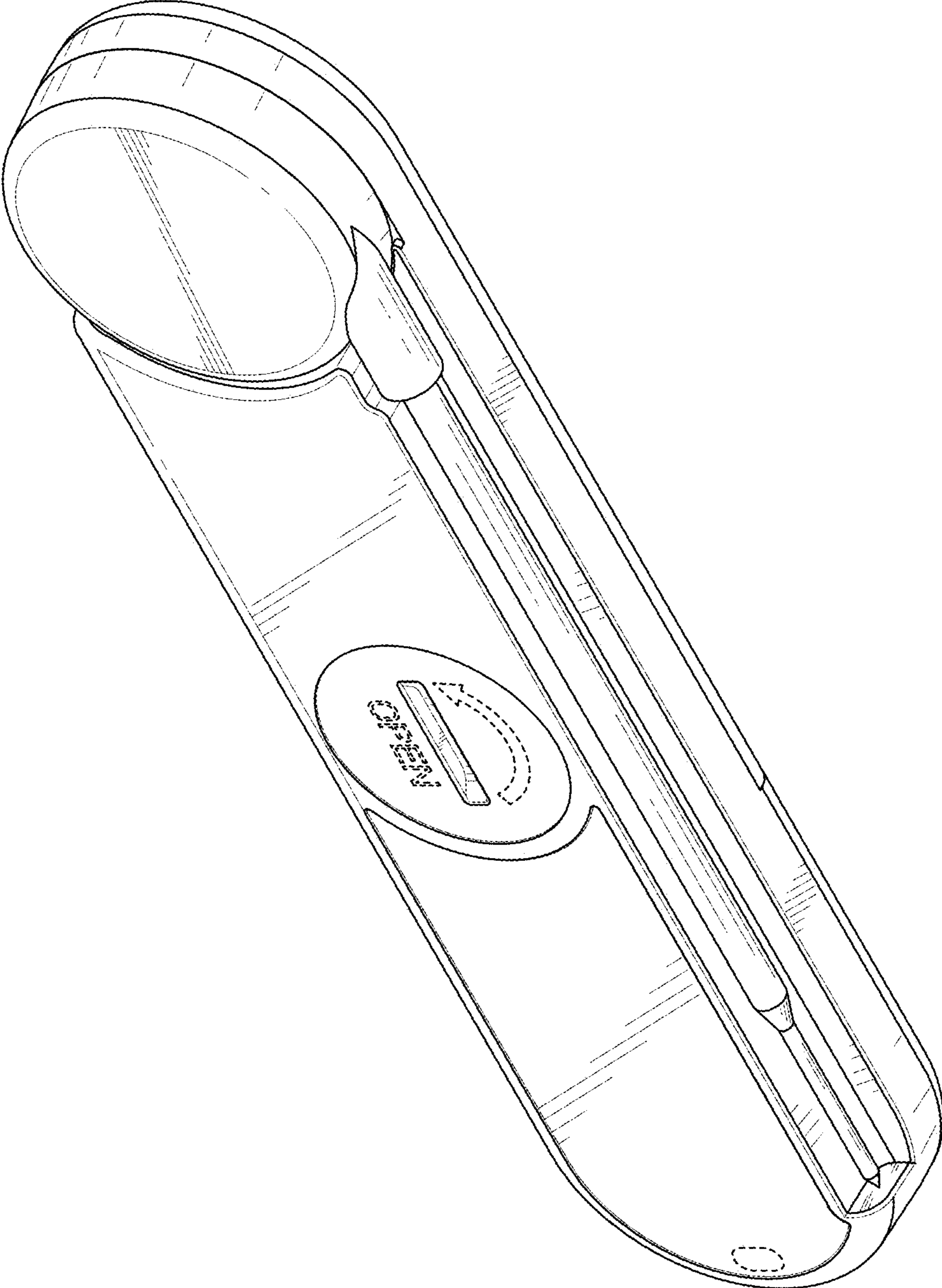


FIG. 2

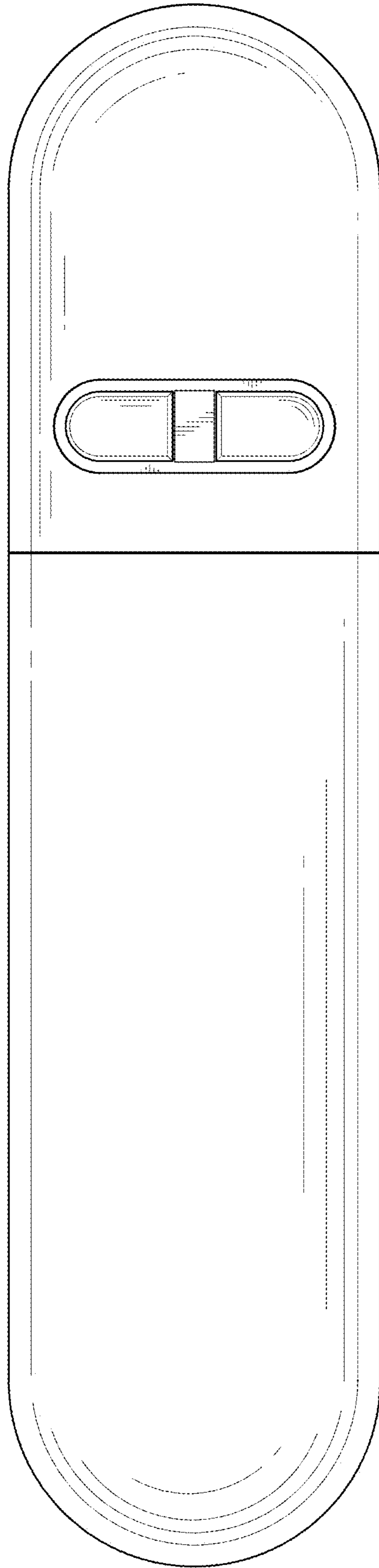


FIG. 3

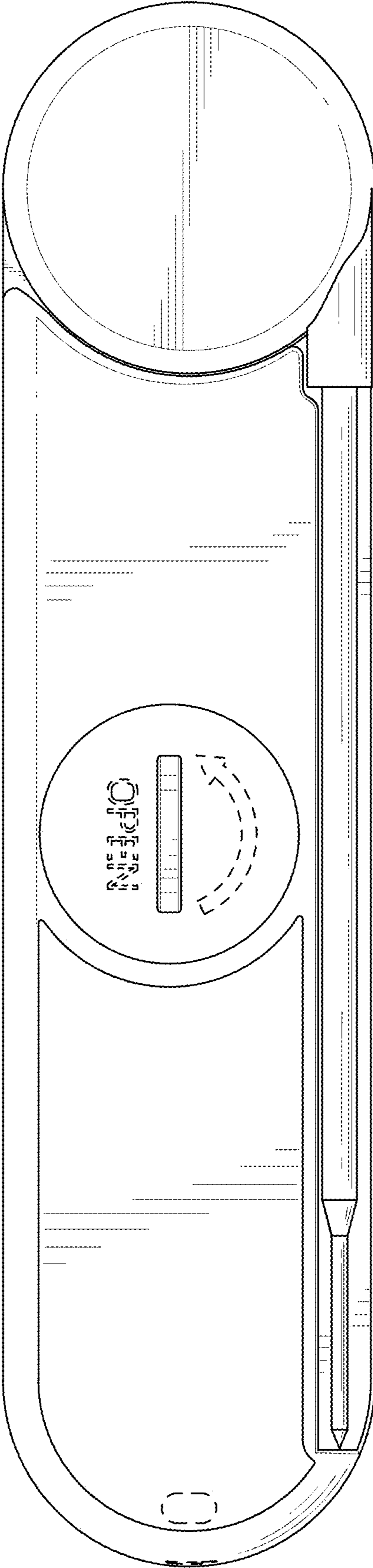


FIG. 4

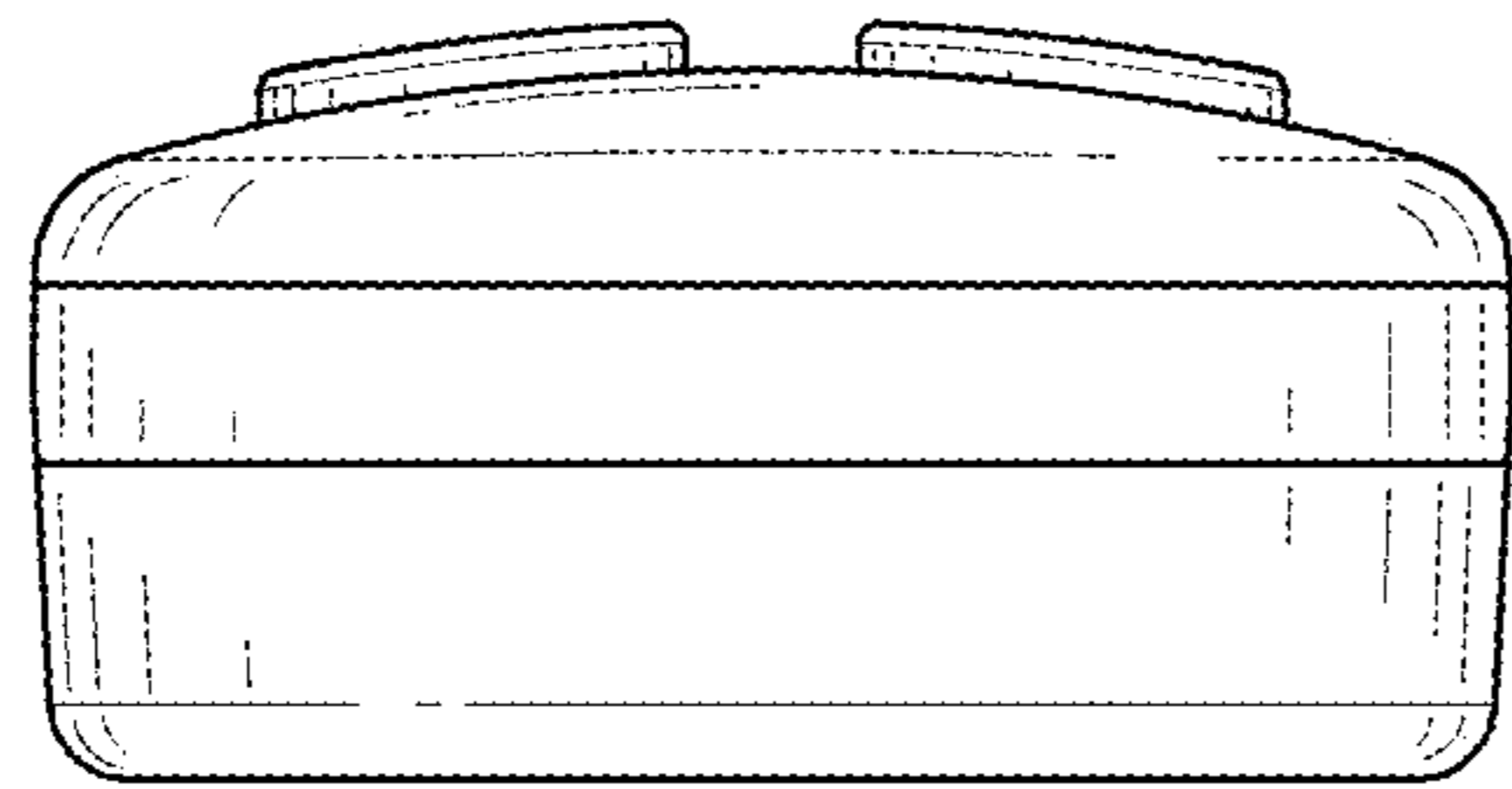


FIG. 5

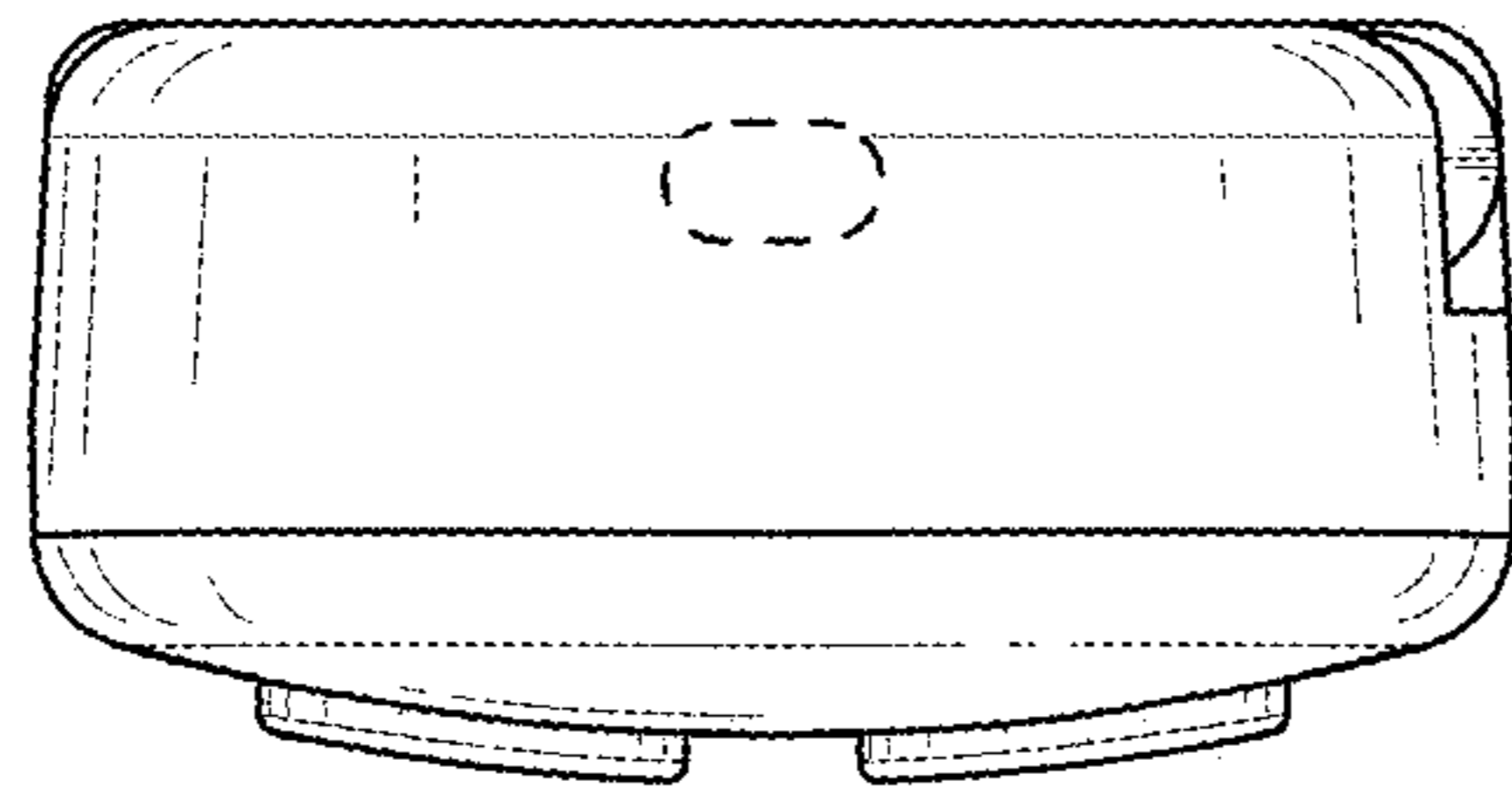


FIG. 6

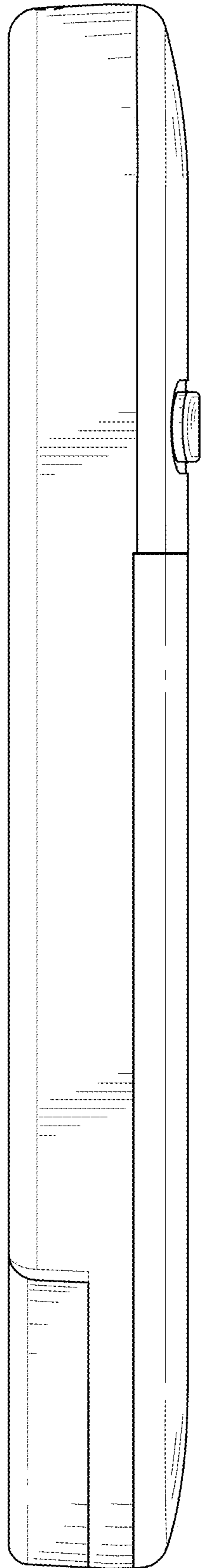


FIG. 7

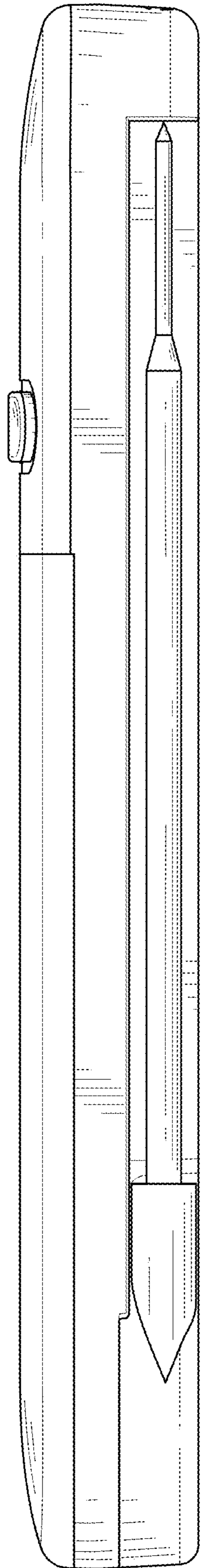


FIG. 8