



US00D884497S

(12) **United States Design Patent**
Tang

(10) **Patent No.:** **US D884,497 S**

(45) **Date of Patent:** **** May 19, 2020**

(54) **GRILL THERMOMETER**

(71) Applicant: **MerchSource, LLC**, Irvine, CA (US)

(72) Inventor: **Daniel Chi Hau Tang**, Sheffield (GB)

(73) Assignee: **MerchSource, LLC**, Irvine, CA (US)

(**) Term: **15 Years**

(21) Appl. No.: **29/673,102**

(22) Filed: **Dec. 12, 2018**

(51) **LOC (12) Cl.** **10-04**

(52) **U.S. Cl.**
USPC **D10/57**

(58) **Field of Classification Search**
USPC D10/57
CPC G01K 2207/02; G01K 2207/04; G01K
2207/06; G01K 2207/08
See application file for complete search history.

(56) **References Cited**

U.S. PATENT DOCUMENTS

D837,668 S * 1/2019 Zou D10/57
D852,653 S * 7/2019 Zou D10/57

D852,654 S * 7/2019 Zou D10/57
D853,253 S * 7/2019 Zuo D10/57
D858,320 S * 9/2019 Wang D10/57

* cited by examiner

Primary Examiner — Antoine Duval Davis

(74) *Attorney, Agent, or Firm* — Avyno Law P.C.

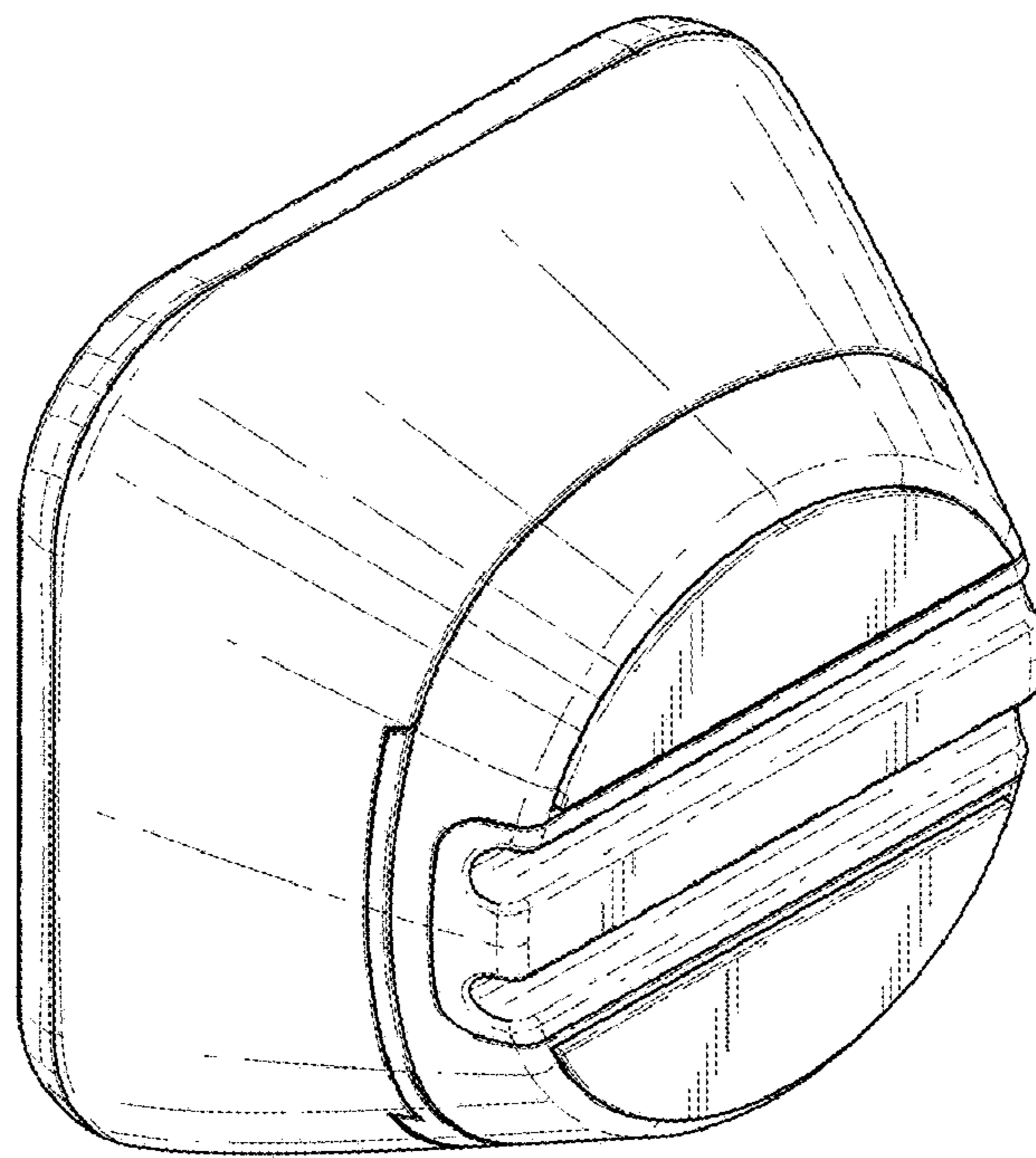
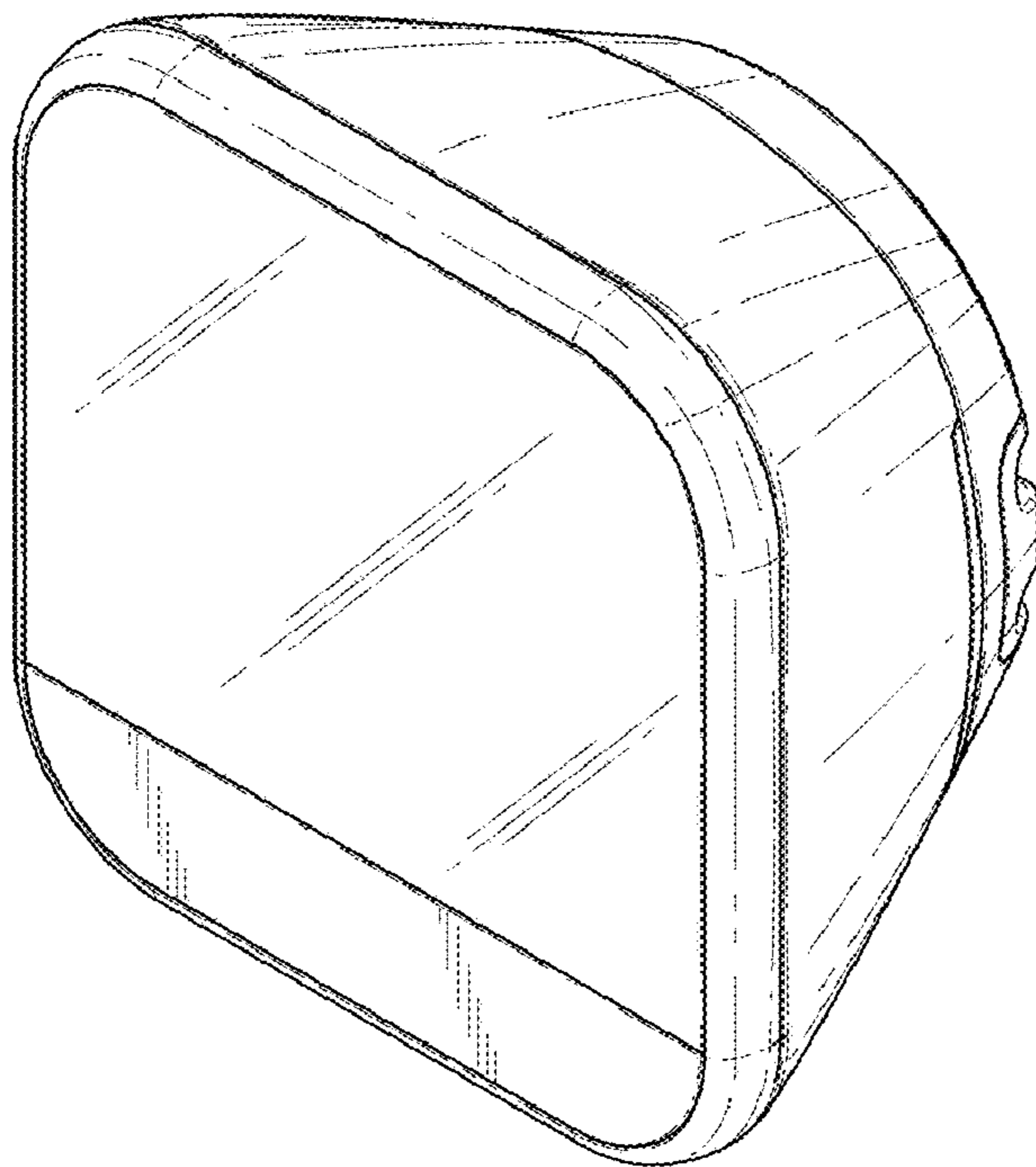
(57) **CLAIM**

I claim the ornamental design for a grill thermometer, as shown and described.

DESCRIPTION

FIG. 1 is a front perspective view of a grill thermometer. FIG. 2 is a rear perspective view of the grill thermometer of FIG. 1. FIG. 3 is a front view of the grill thermometer of FIG. 1. FIG. 4 is a back of the grill thermometer of FIG. 1. FIG. 5 is a side view of the right side of the grill thermometer of FIG. 1. FIG. 6 is a side view of the left side of the grill thermometer of FIG. 1. FIG. 7 is a top view of the grill thermometer of FIG. 1; and, FIG. 8 is a bottom view of the grill thermometer of FIG. 1. The dashed lines in various figures are for illustrative purposes only and form no part of the claimed design.

1 Claim, 4 Drawing Sheets



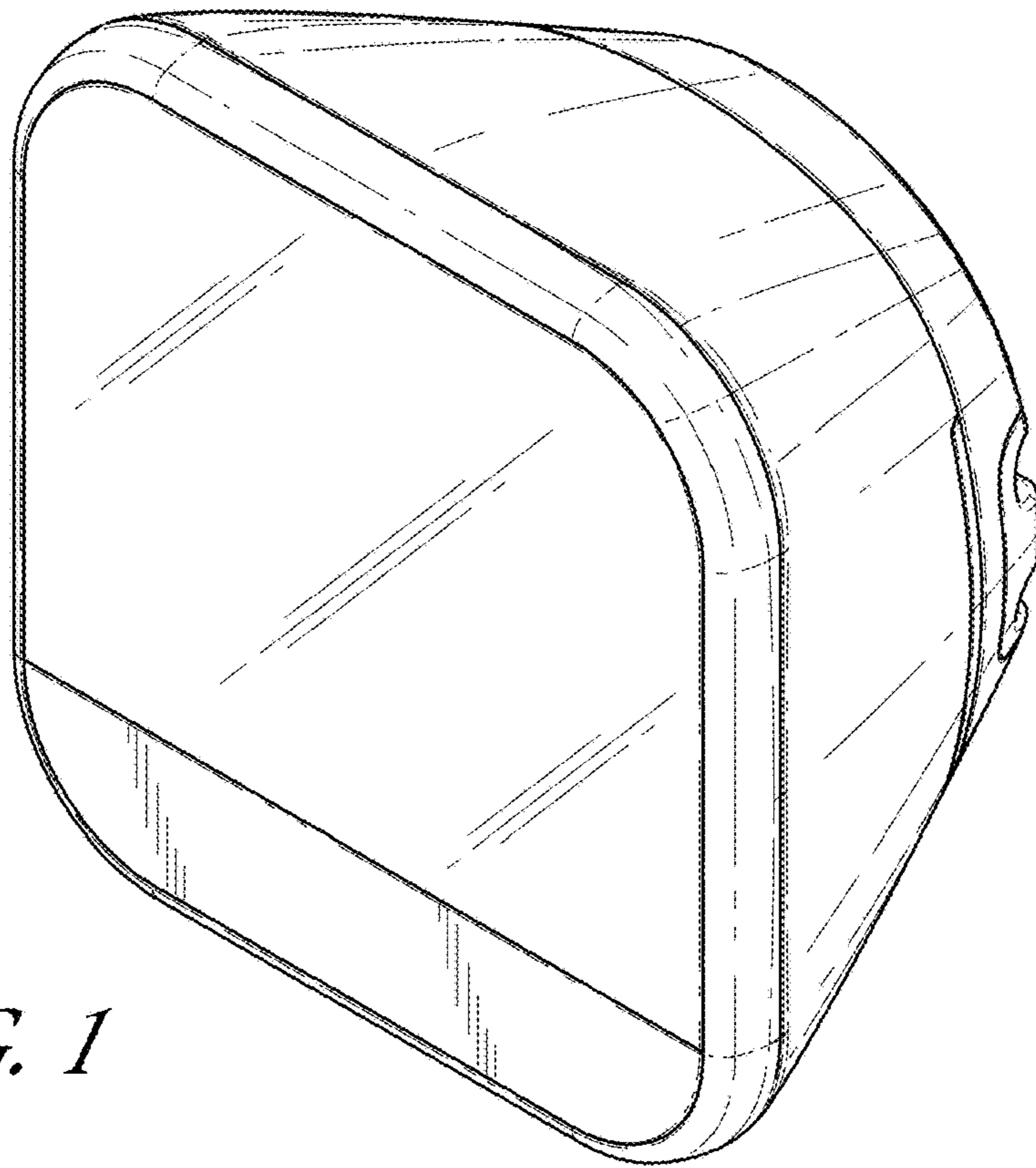


FIG. 1

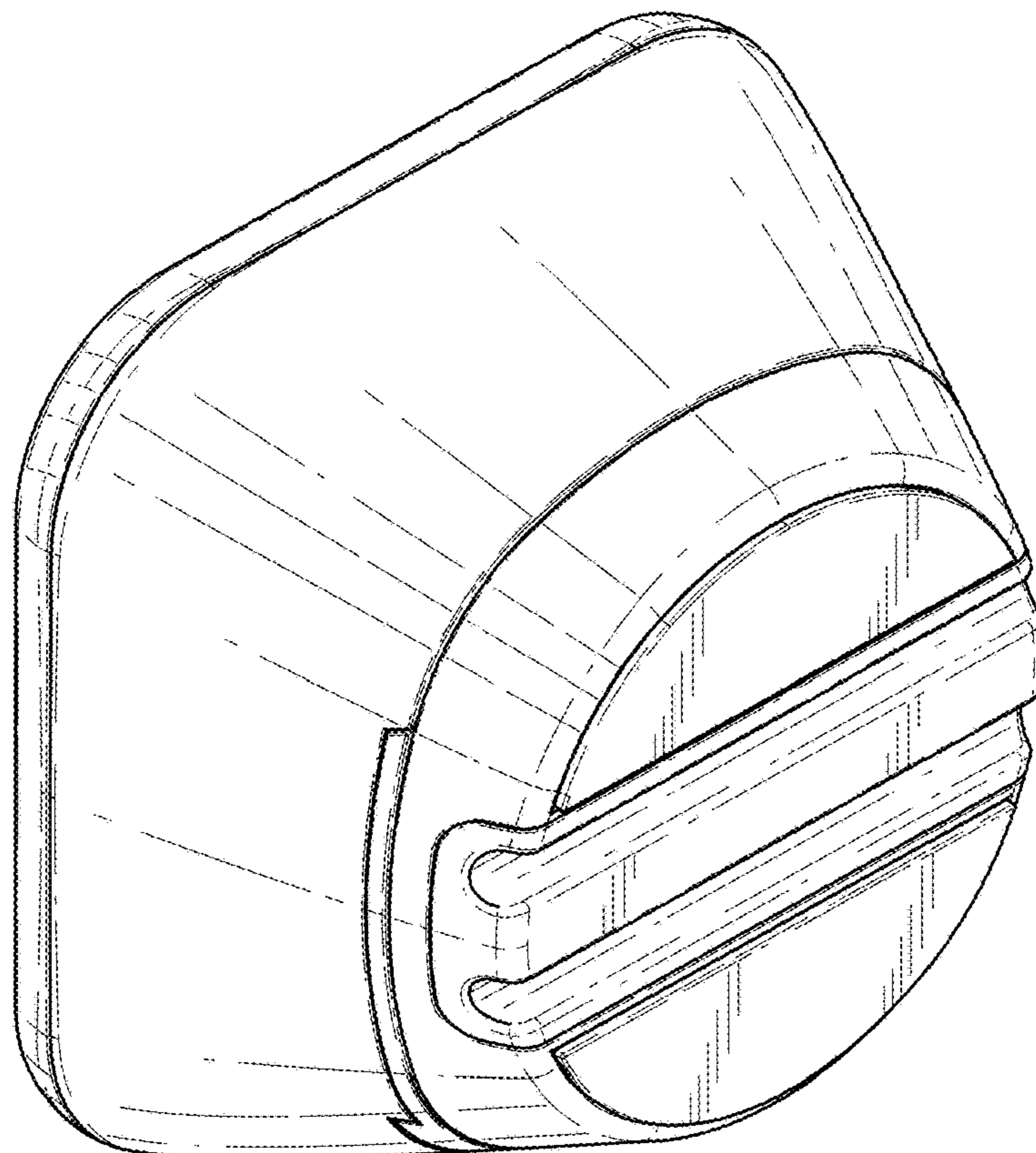


FIG. 2

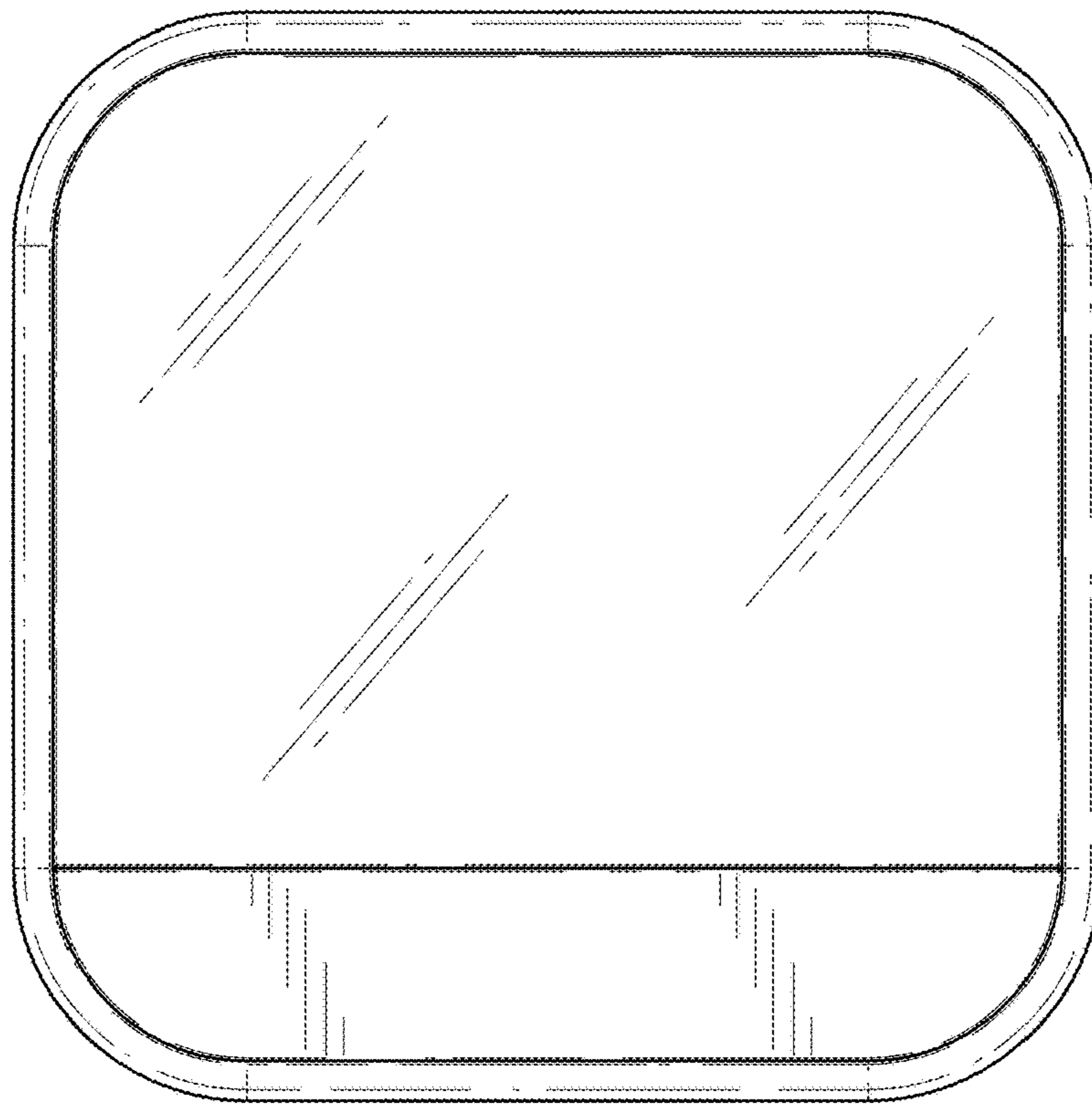


FIG. 3

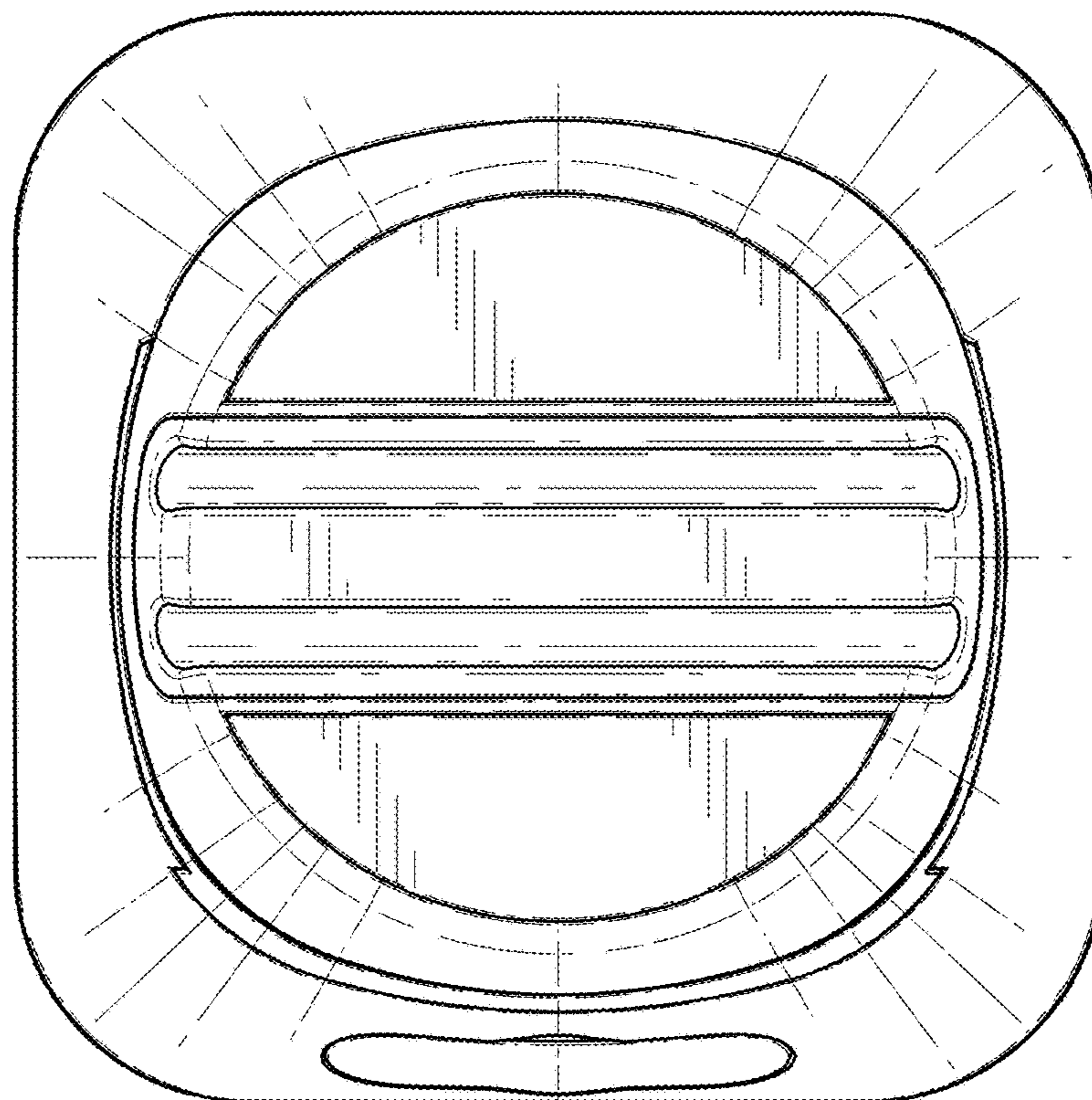


FIG. 4

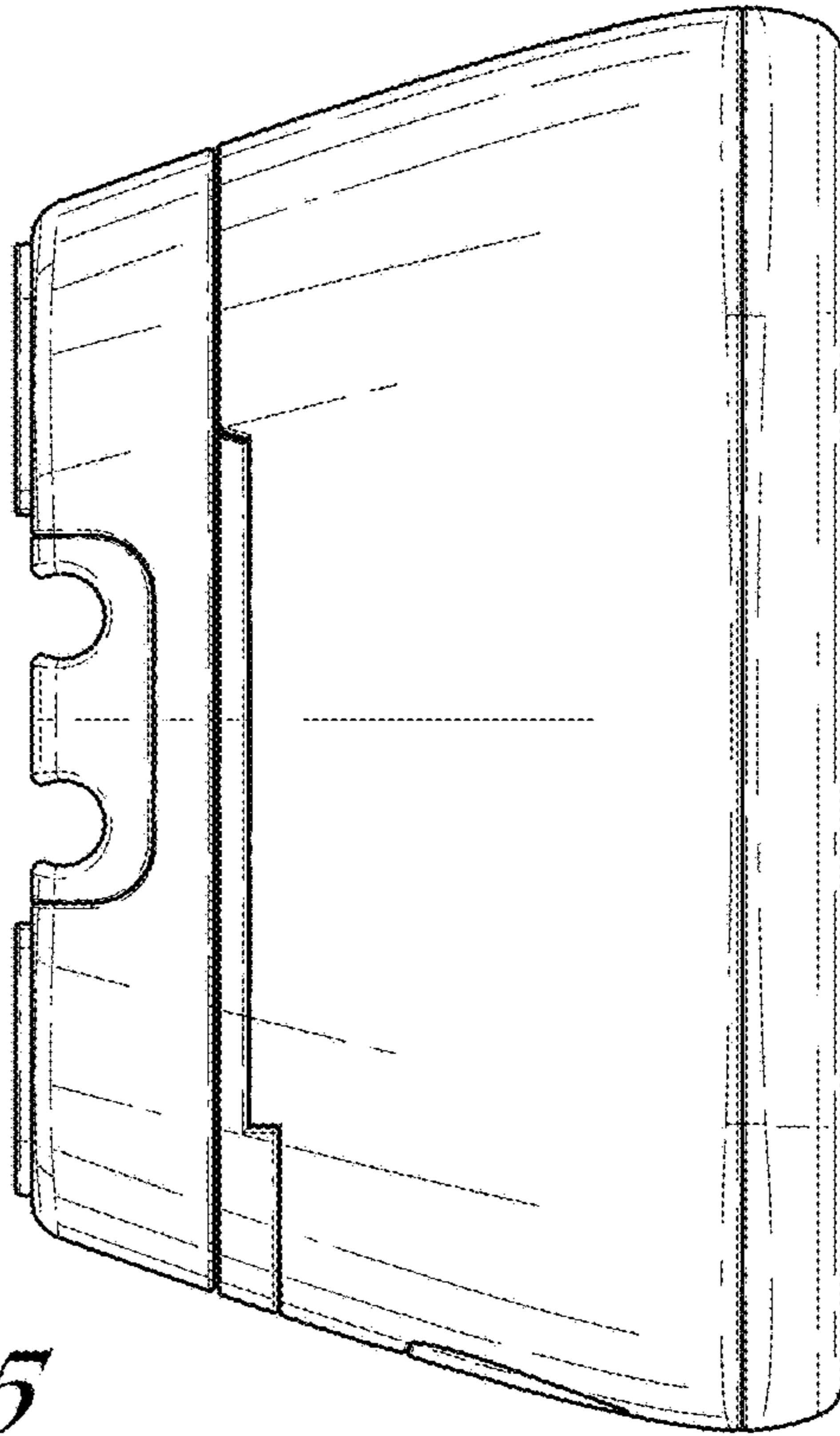


FIG. 5

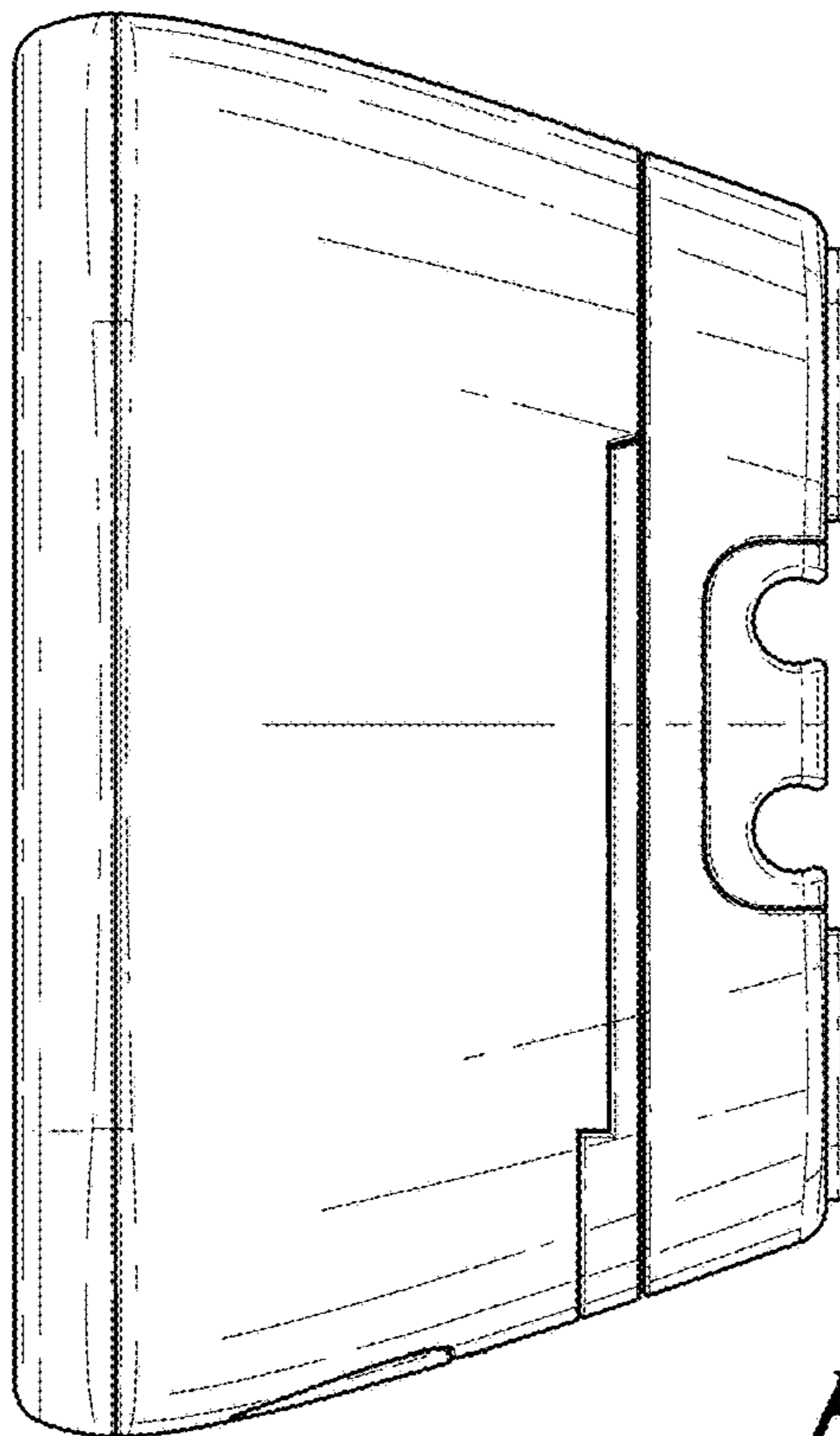


FIG. 6

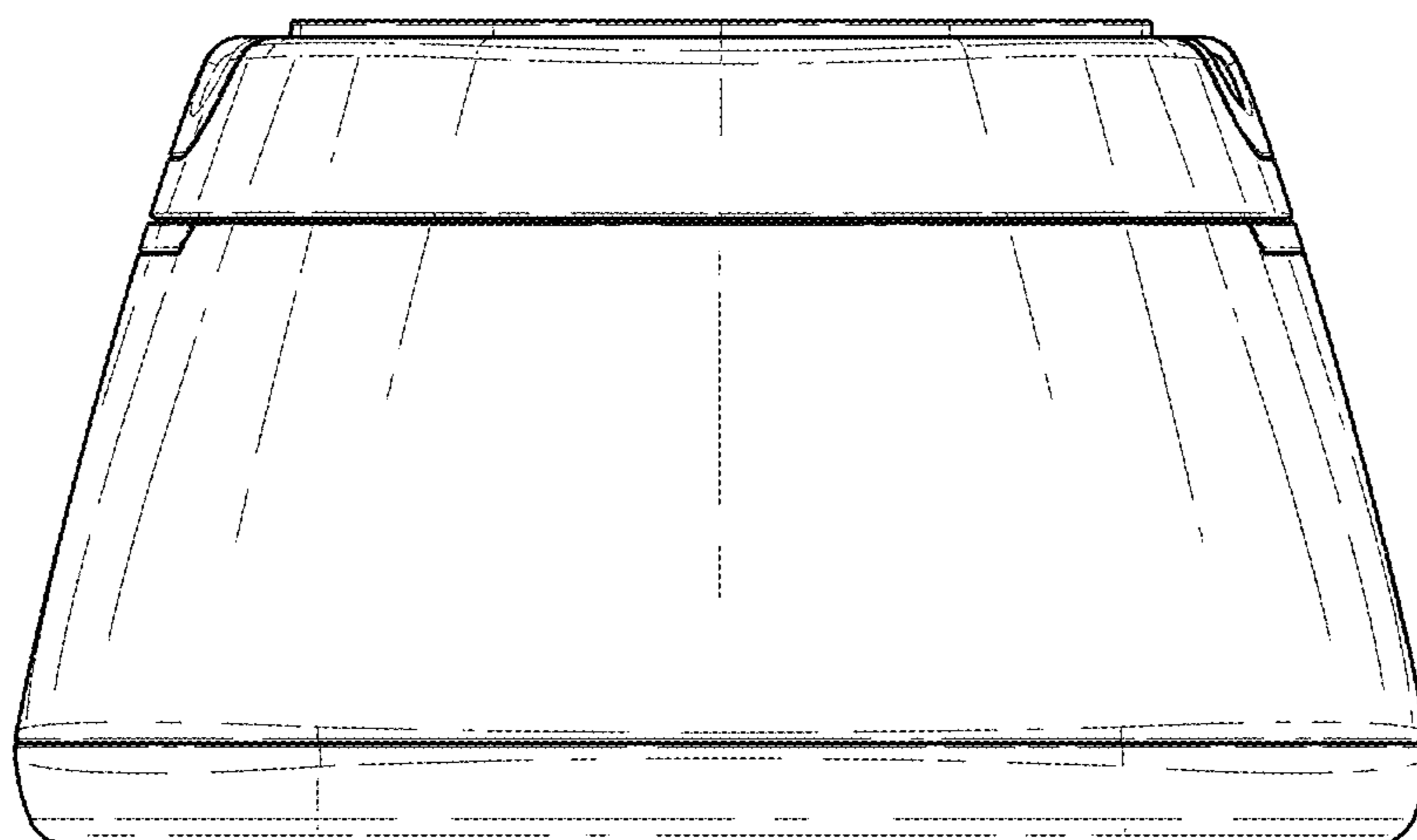


FIG. 7

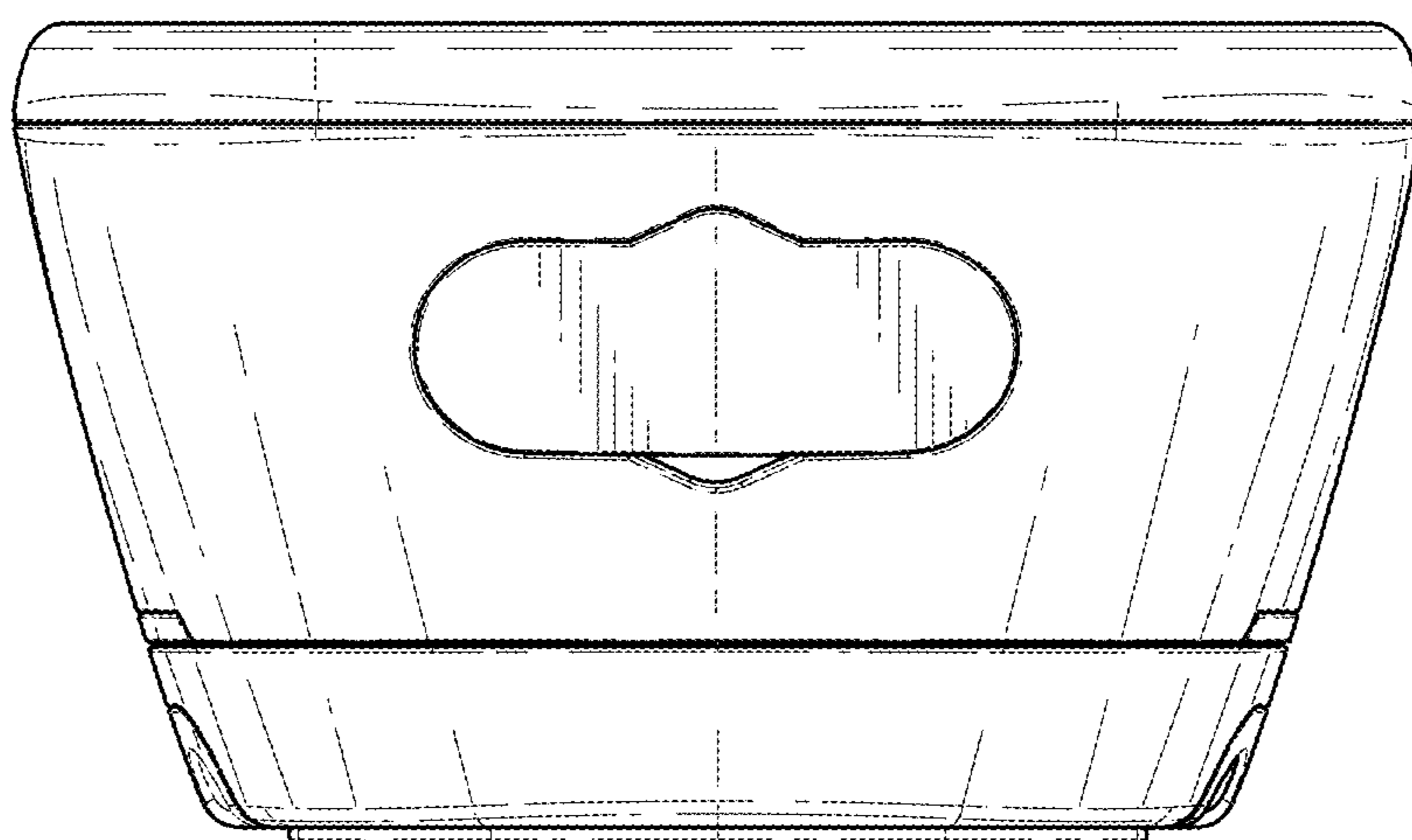


FIG. 8