



US00D884495S

(12) **United States Design Patent** (10) **Patent No.:** **US D884,495 S**  
**Fleet et al.** (45) **Date of Patent:** **\*\* May 19, 2020**

(54) **THERMOMETER**

(71) Applicant: **Mead Johnson Nutrition Company**,  
Chicago, IL (US)

(72) Inventors: **Thomas Fleet**, London (GB); **Bas Groenendaal**, Eindhoven (NL); **Ivo Lamers**, Eindhoven (NL)

(73) Assignee: **MEAD JOHNSON NUTRITION COMPANY**, Evansville, IN (US)

(\*\*) Term: **15 Years**

(21) Appl. No.: **29/642,003**

(22) Filed: **Mar. 27, 2018**

(51) **LOC (12) Cl.** ..... **10-04**

(52) **U.S. Cl.**  
USPC ..... **D10/57**

(58) **Field of Classification Search**  
USPC ..... D10/57, 58  
CPC ..... G01K 11/12; G01K 11/125; G01K 11/14;  
G01K 11/16; G01K 11/165; G01K 11/18;  
A61N 1/0472; A61N 1/0476; A61N 1/048;  
A61N 1/0484; A61N 1/0488;  
A61N 1/0492; A61N 1/0496; A61N 1/37;  
A61N 1/3702; A61N 1/3704; A61N 1/3706;  
A61N 1/3708; A61N 1/371; A61N 1/3712;  
A61N 1/3714; A61N 1/3716; A61N 1/3718  
See application file for complete search history.

(56) **References Cited**

**U.S. PATENT DOCUMENTS**

D795,714 S 8/2017 Pugmire et al.  
D842,715 S \* 3/2019 Fleet ..... D10/57

\* cited by examiner

*Primary Examiner* — Antoine Duval Davis  
(74) *Attorney, Agent, or Firm* — Troutman Sanders LLP;  
Ryan Schneider; Chris Davis

(57) **CLAIM**

The ornamental design for a thermometer, as shown and described.

**DESCRIPTION**

The patent or application file contains a least one drawing executed in color. Copies of this patent or patent application publication with color drawing(s) will be provided by the Office upon request and payment of the necessary fee.

FIG. 1 is a front perspective view from the top and right side of the thermometer;

FIG. 2 is a back perspective view from the top and left side of the thermometer;

FIG. 3 is a front view of the thermometer;

FIG. 4 is a left side view of the thermometer;

FIG. 5 is a right side view of the thermometer;

FIG. 6 is a top view of the thermometer;

FIG. 7 is a bottom view of the thermometer;

FIG. 8 is a back view of the thermometer;

FIG. 9 is a front perspective view from the top and right side of the thermometer;

FIG. 10 is a back perspective view from the top and left side of the thermometer;

FIG. 11 is a front view of the thermometer;

FIG. 12 is a left side view of the thermometer;

FIG. 13 is a right side view of the thermometer;

FIG. 14 is a top view of the thermometer;

FIG. 15 is a bottom view of the thermometer;

FIG. 16 is a back view of the thermometer;

FIG. 17 is a front perspective view from the right side of the thermometer;

FIG. 18 is a back perspective view from the top and left side of the thermometer;

FIG. 19 is a front view of the thermometer;

FIG. 20 is a left side view of the thermometer;

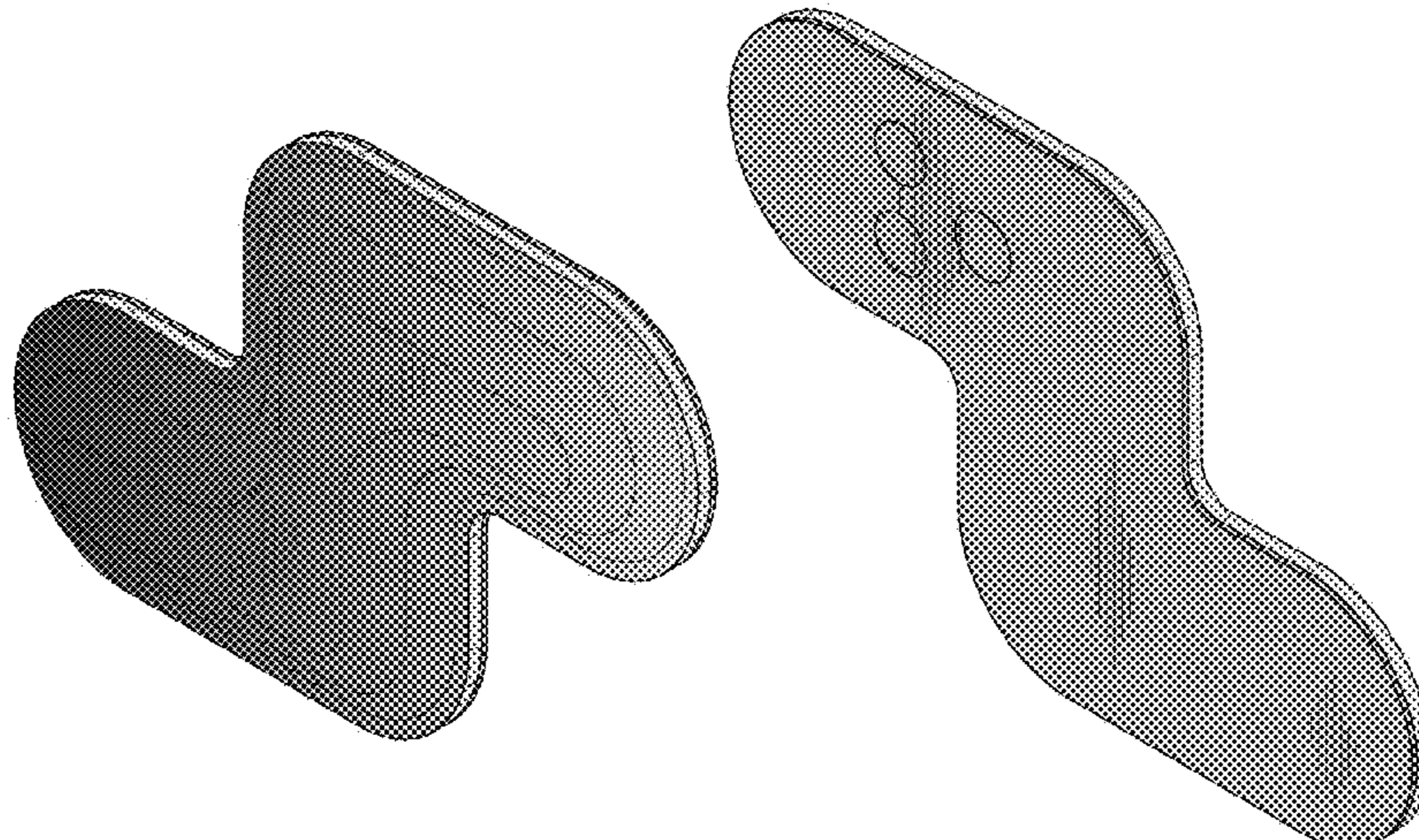
FIG. 21 is a right side view of the thermometer;

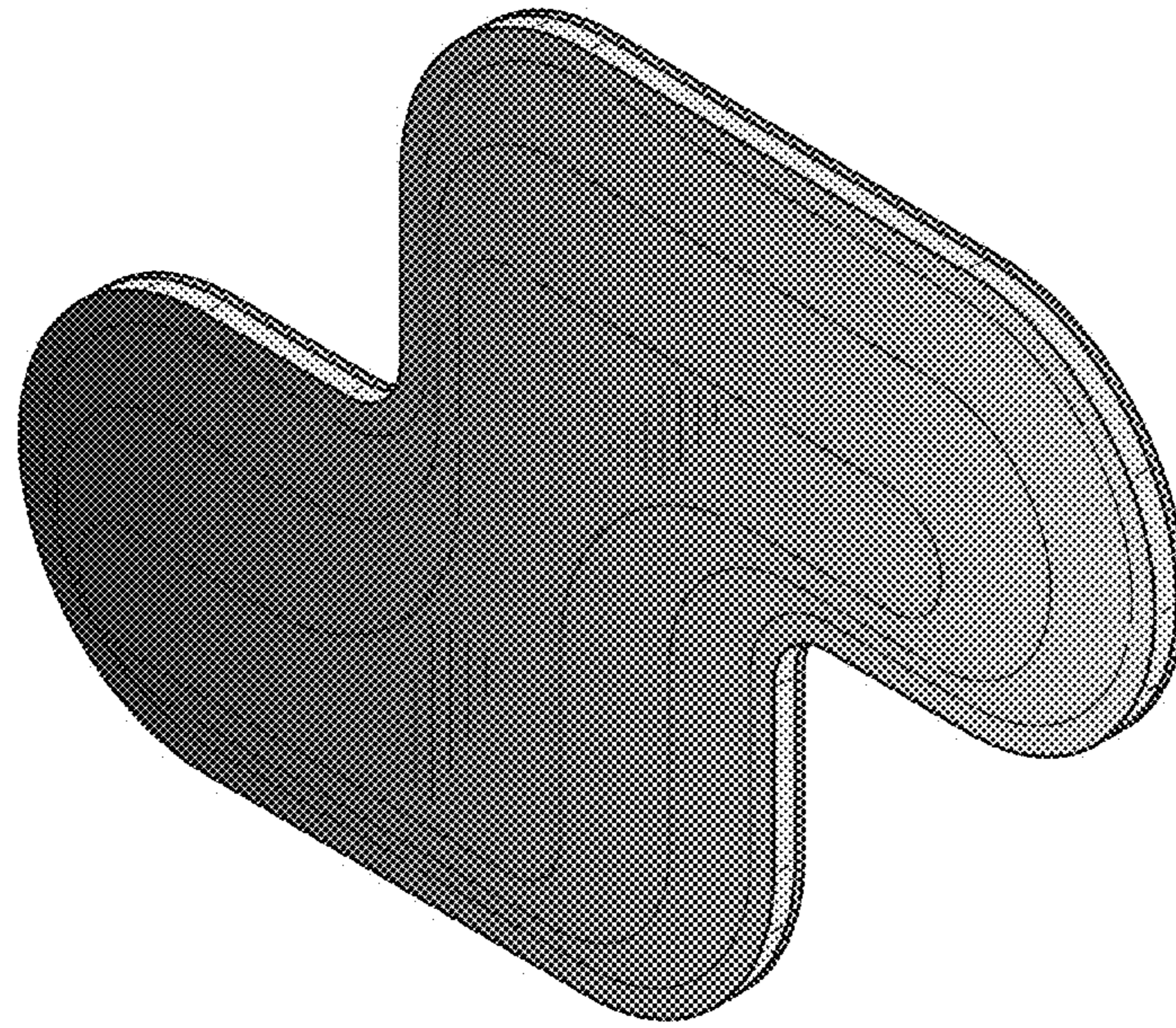
FIG. 22 is a top view of the thermometer;

FIG. 23 is a bottom view of the thermometer; and,

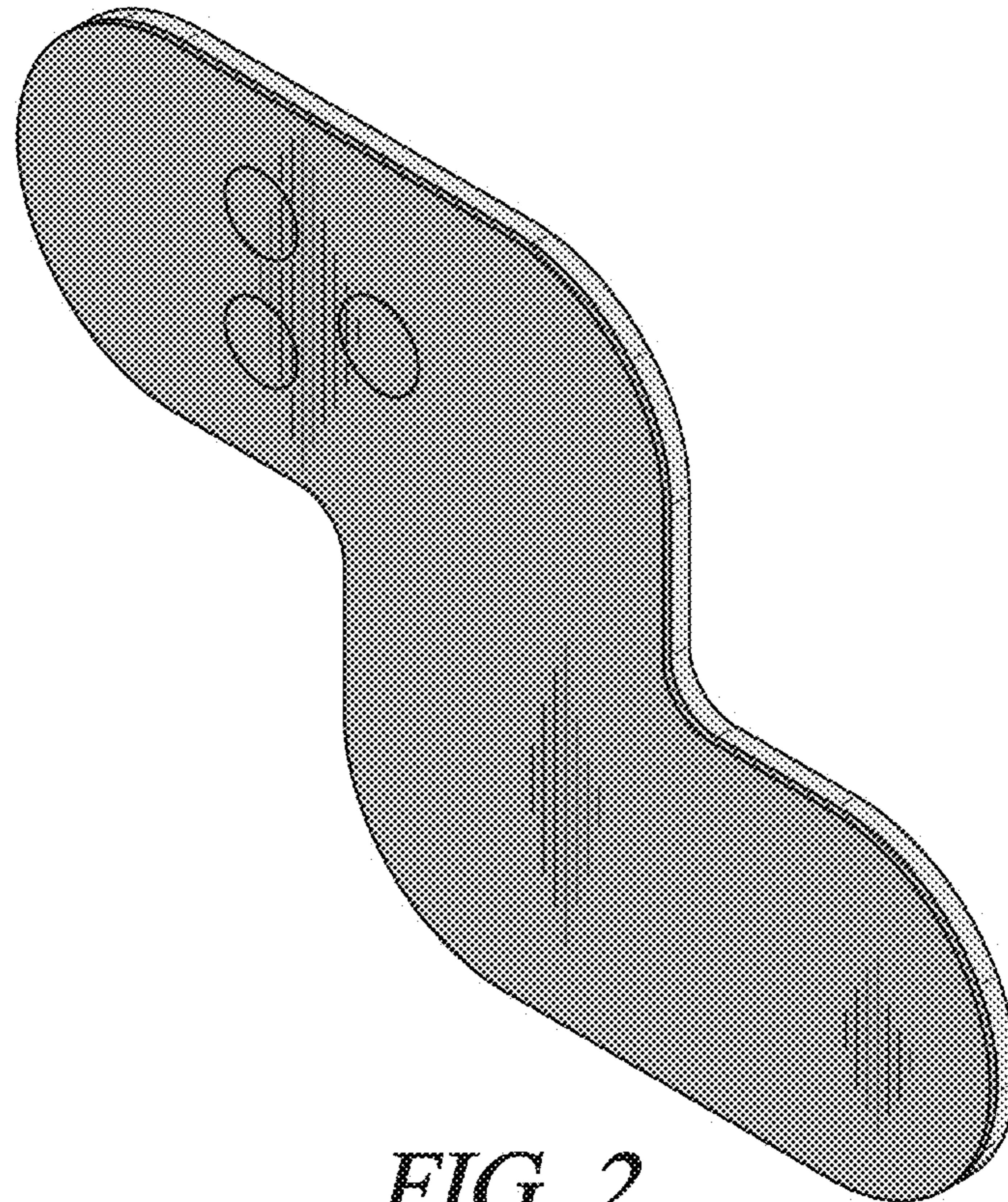
FIG. 24 is a bottom view of the thermometer.

**1 Claim, 9 Drawing Sheets**  
**(7 of 9 Drawing Sheet(s) Filed in Color)**

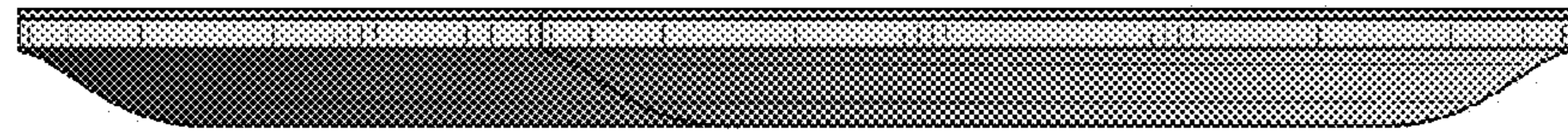




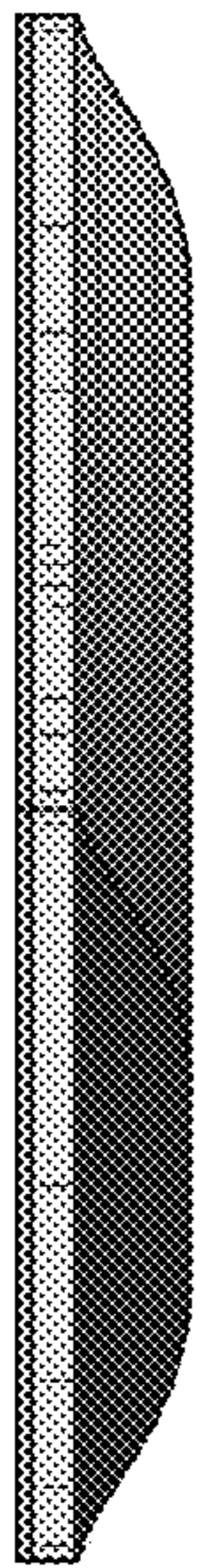
*FIG. 1*



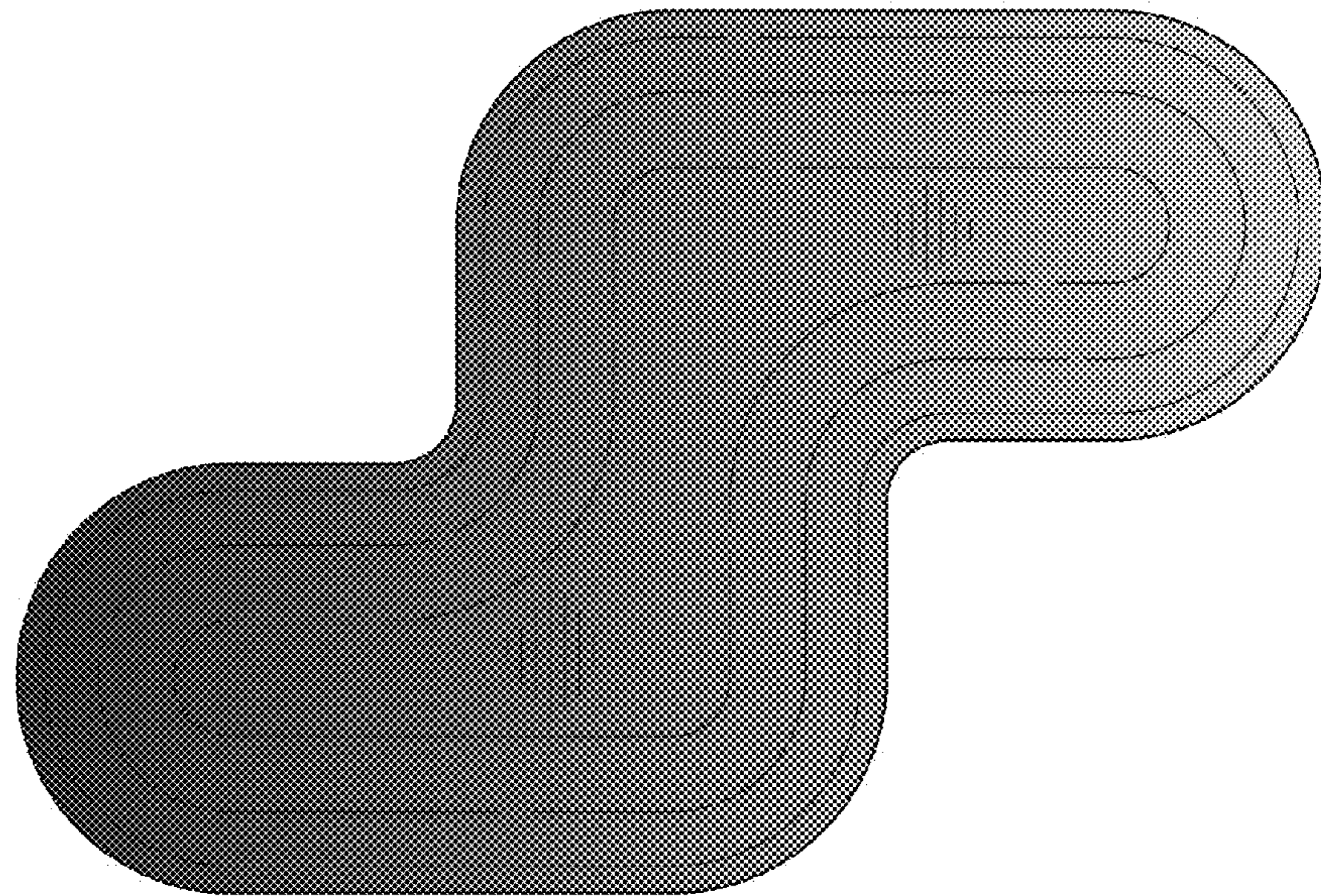
*FIG. 2*



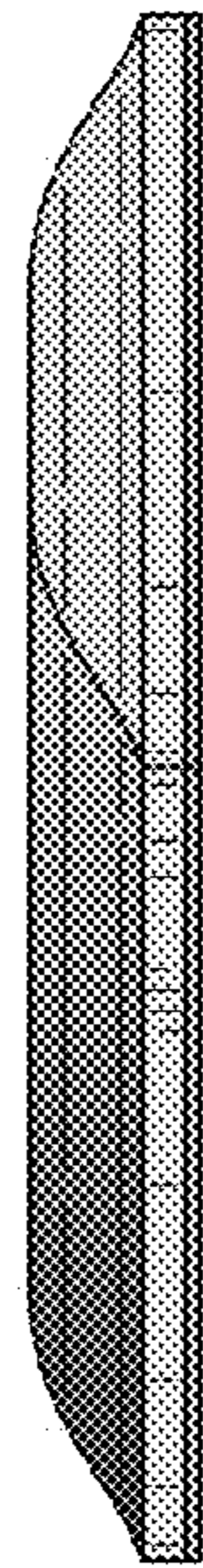
*FIG. 6*



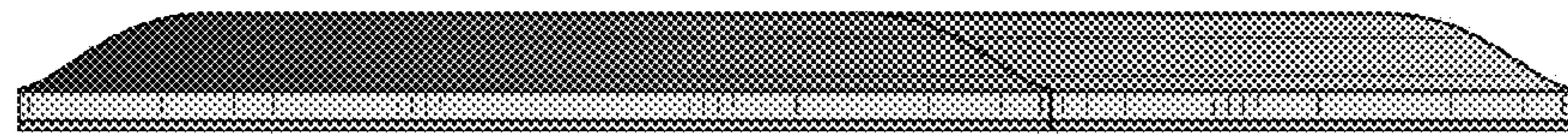
*FIG. 4*



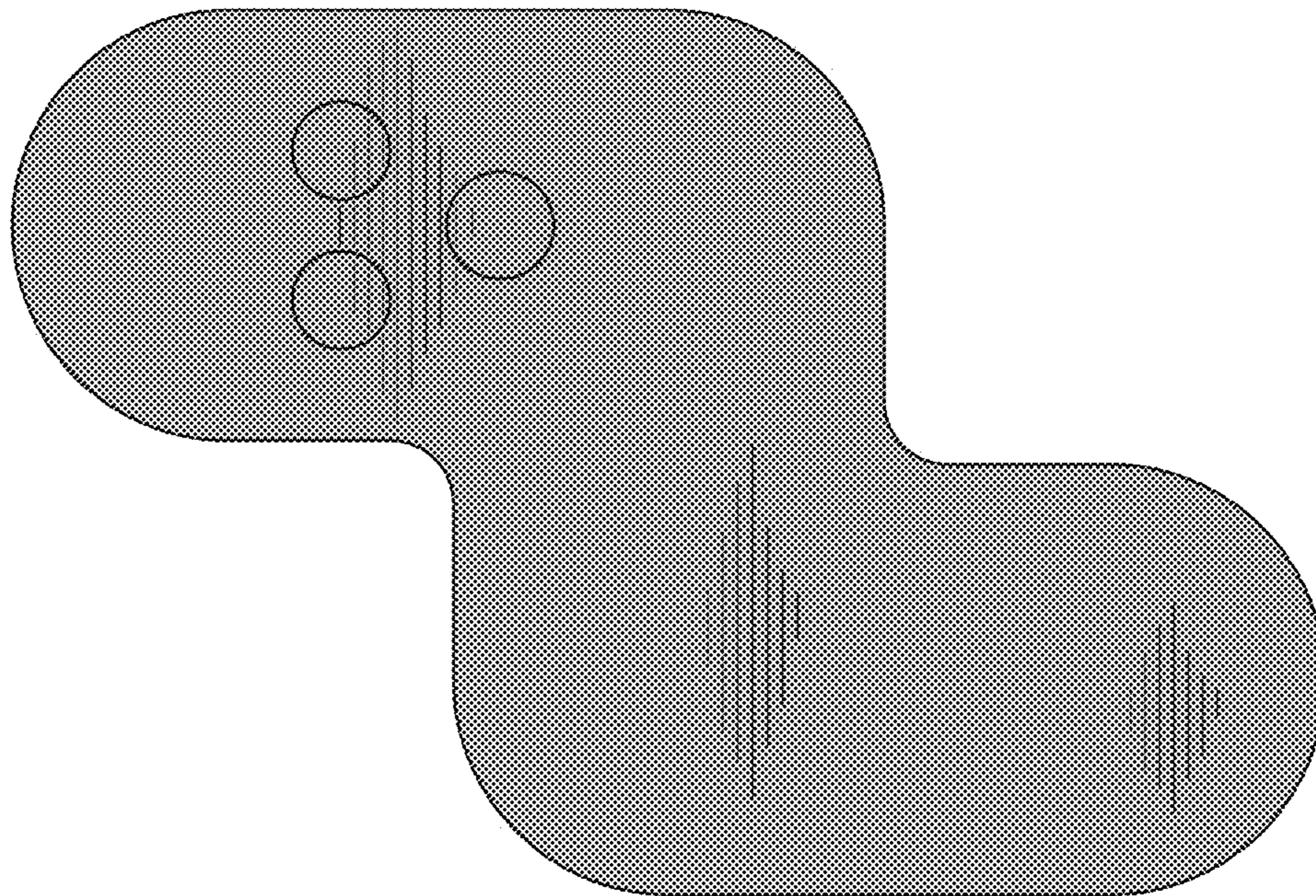
*FIG. 3*



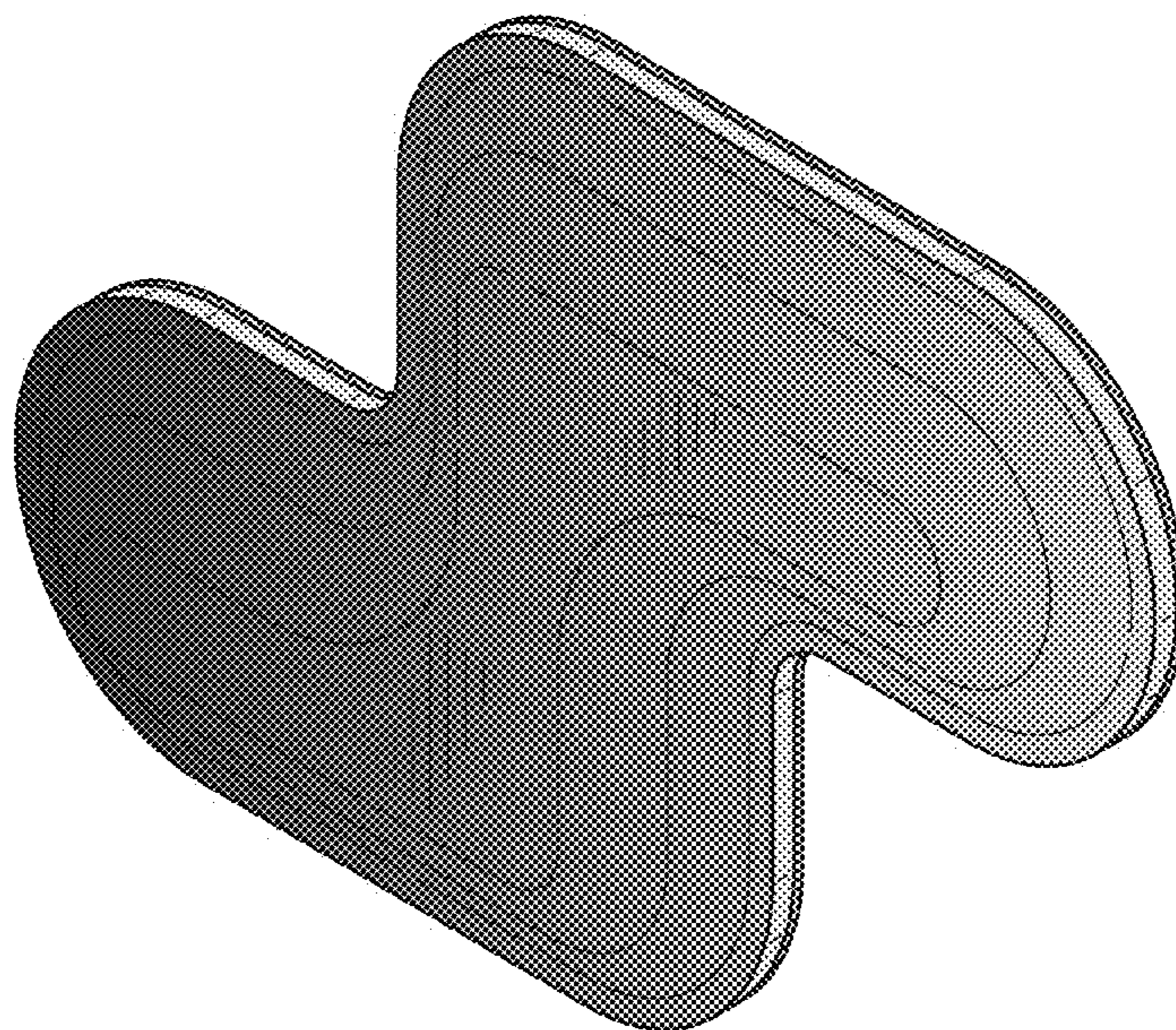
*FIG. 5*



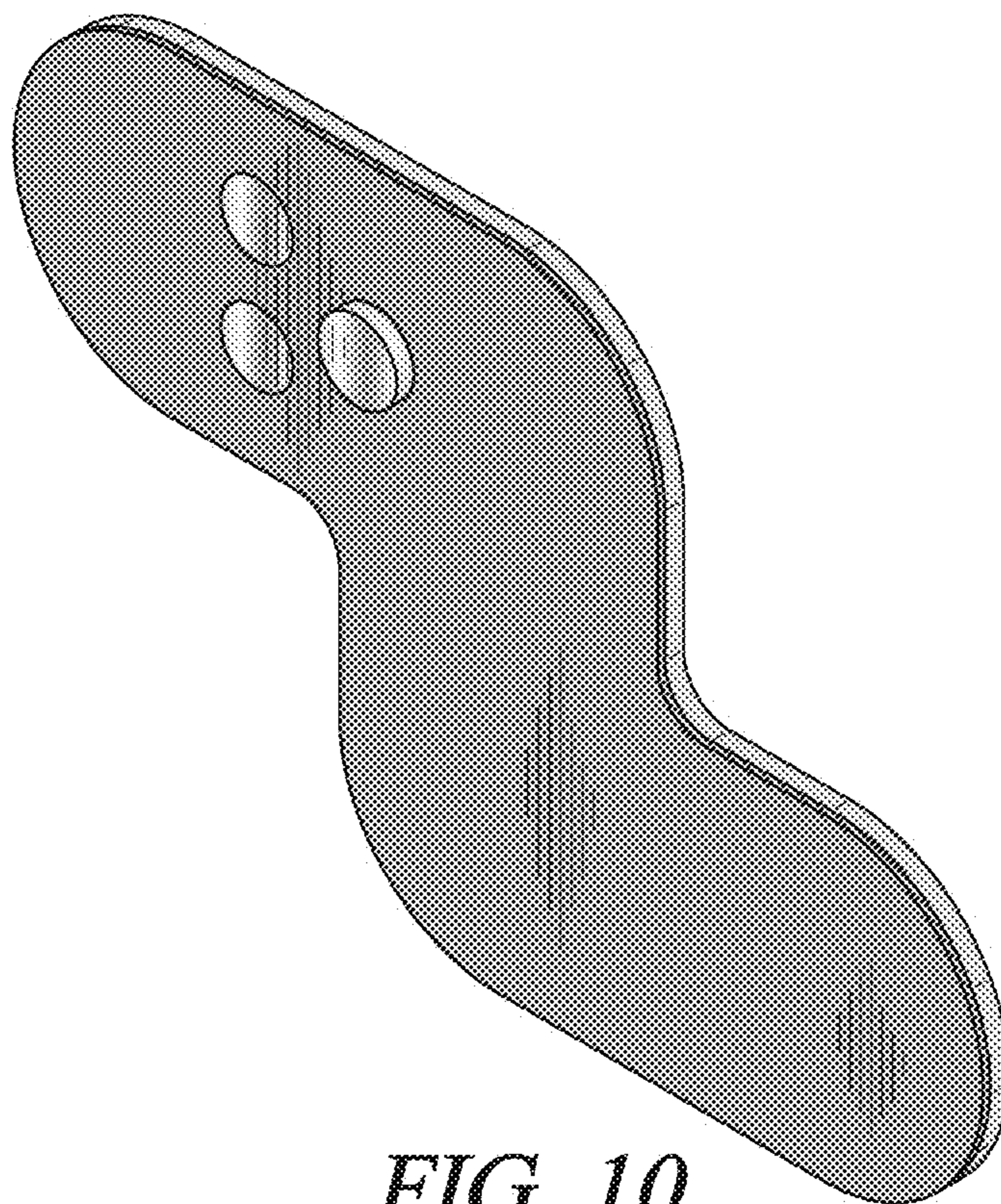
*FIG. 7*



*FIG. 8*



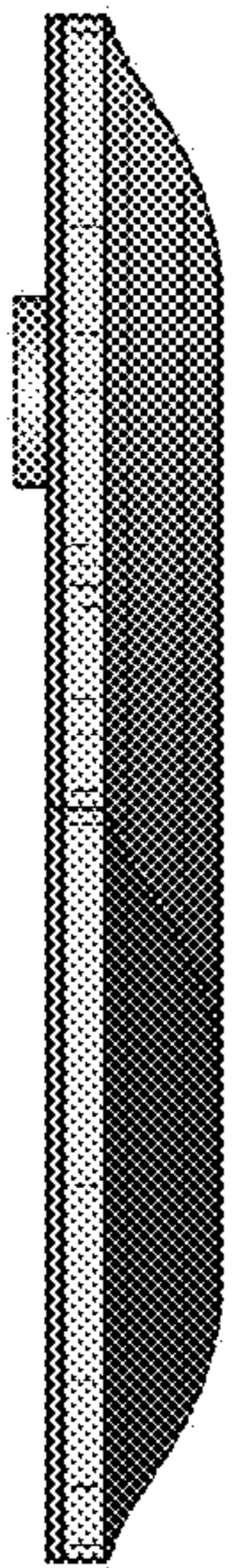
*FIG. 9*



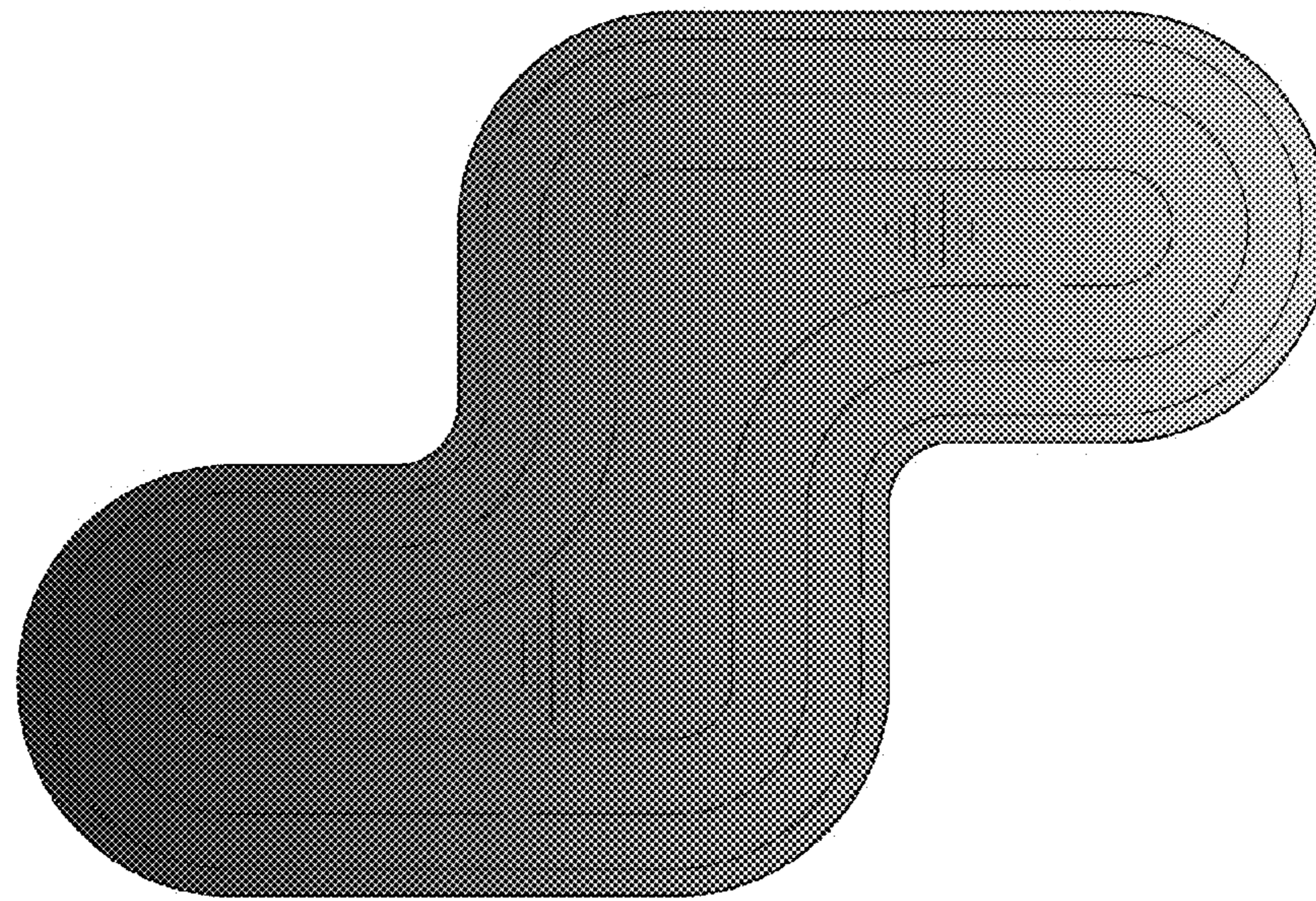
*FIG. 10*



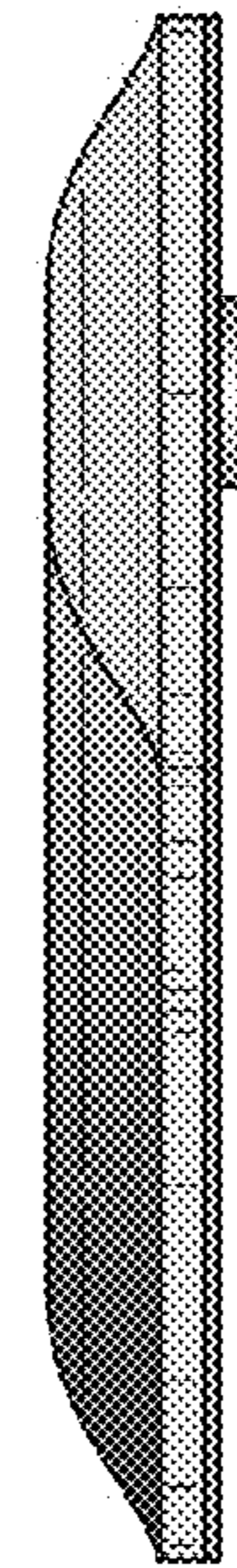
*FIG. 14*



*FIG. 12*



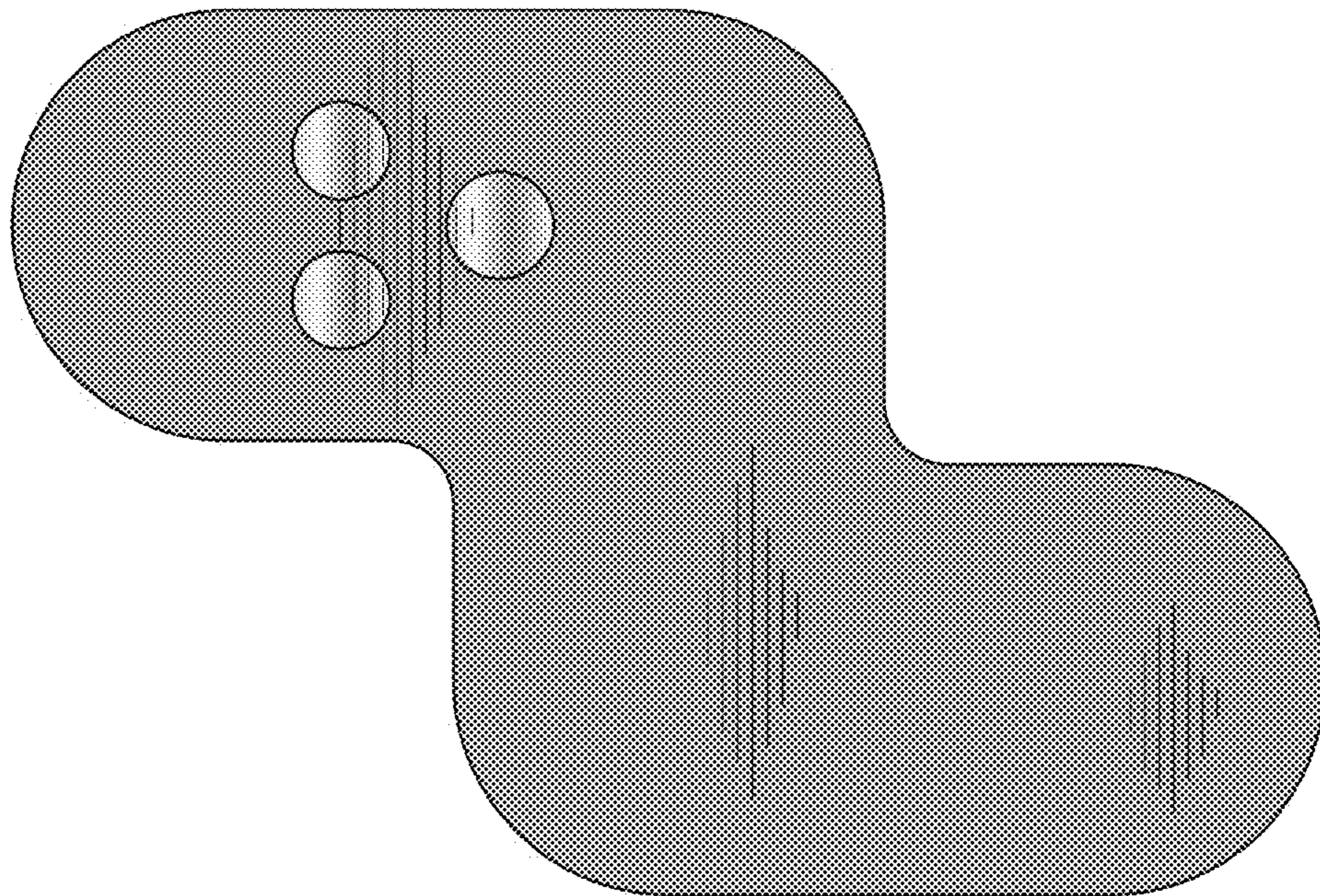
*FIG. 11*



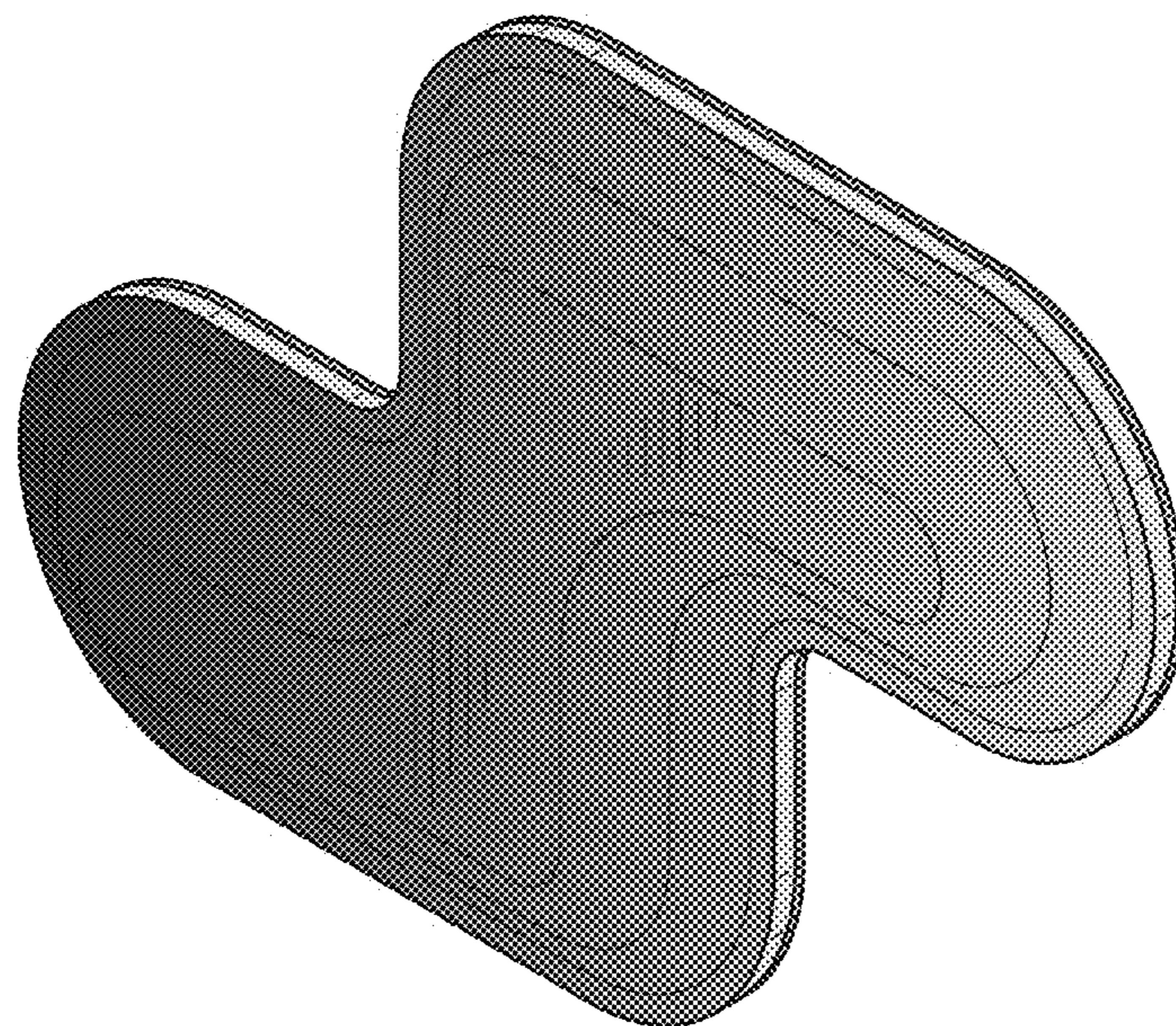
*FIG. 13*



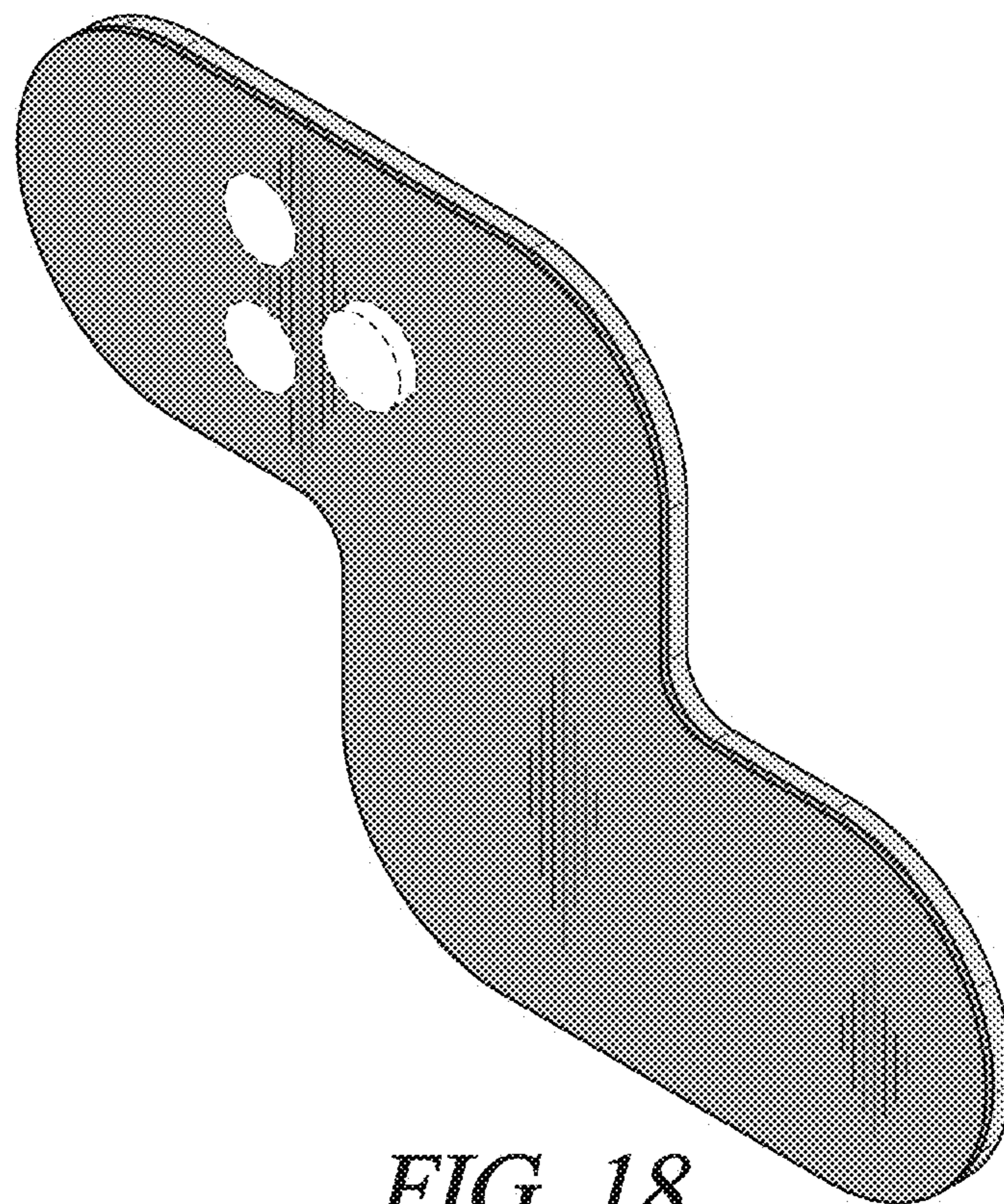
*FIG. 15*



*FIG. 16*

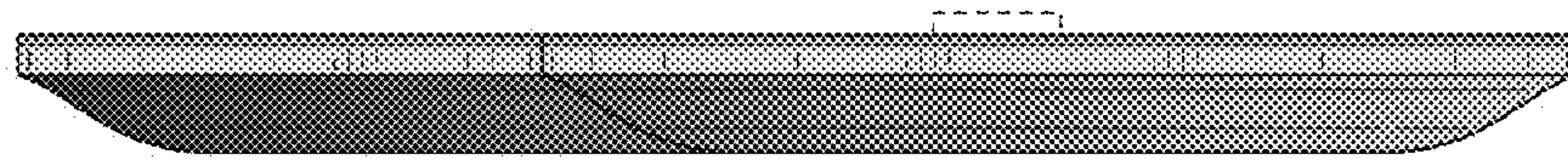


*FIG. 17*

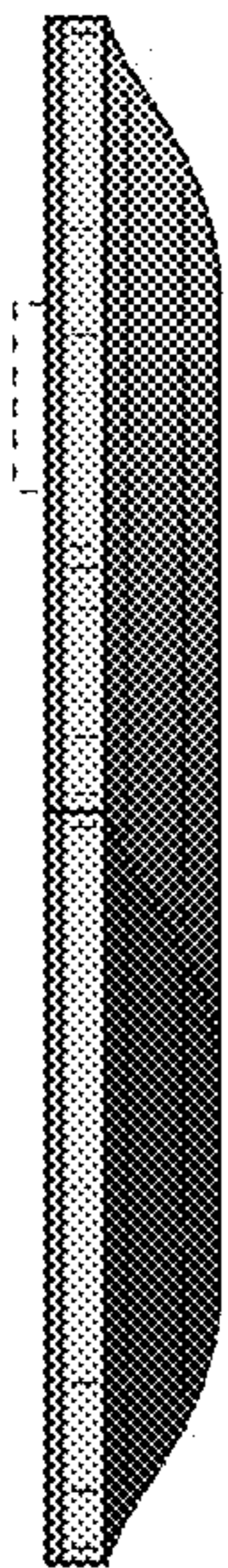


*FIG. 18*

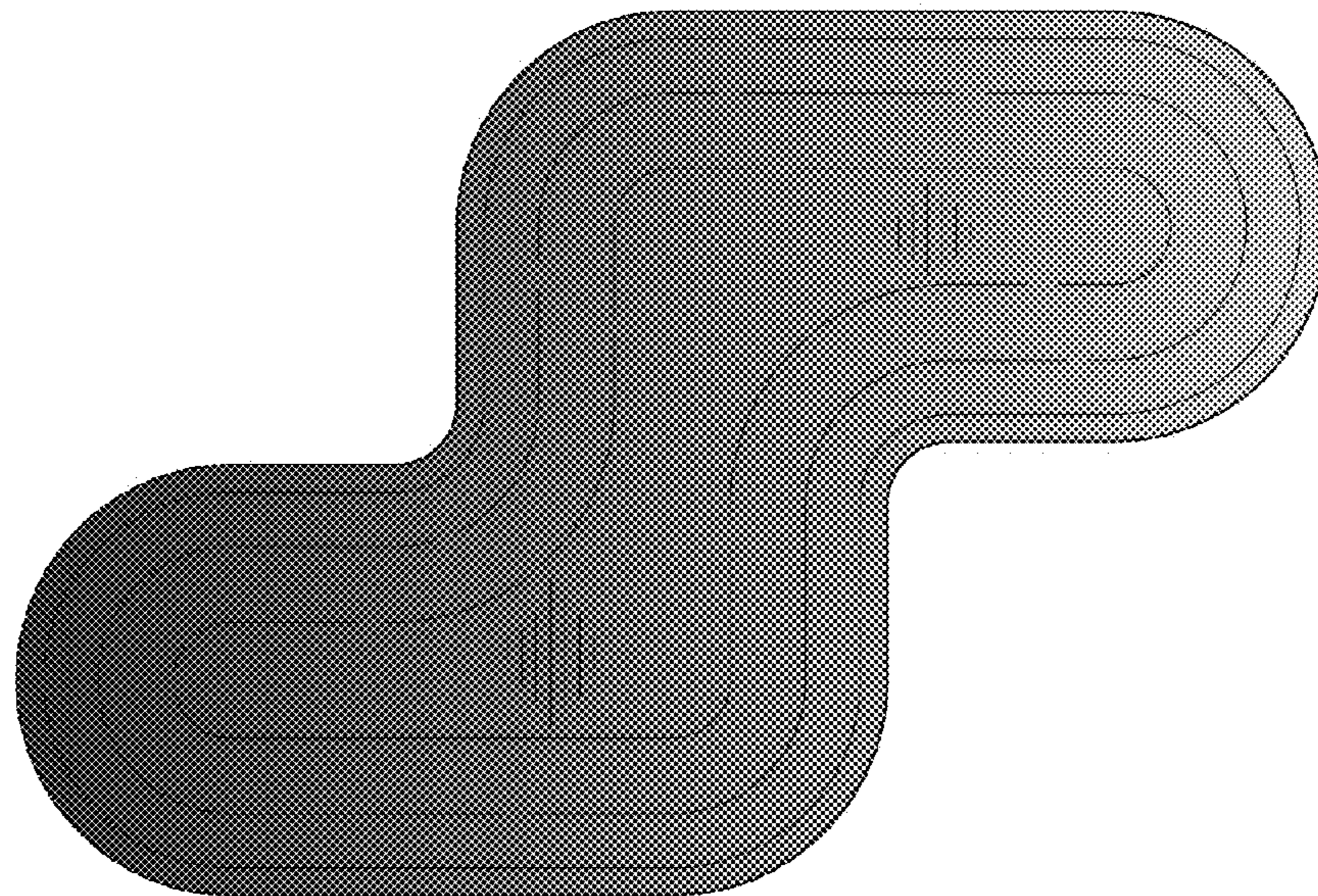




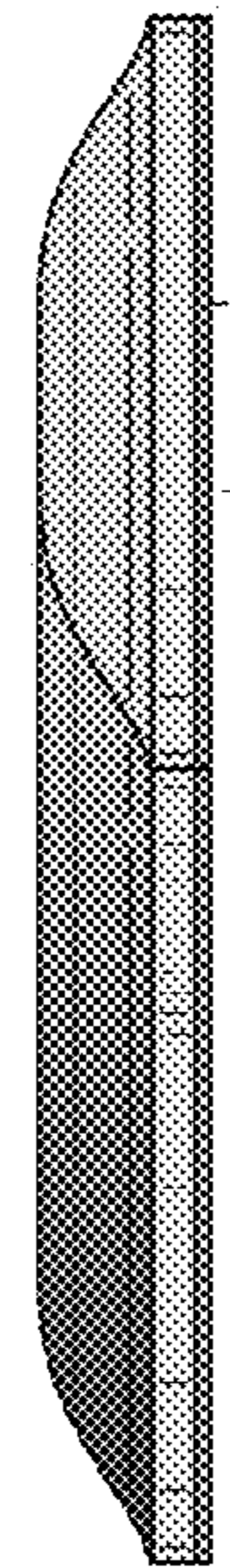
*FIG. 22*



*FIG. 20*



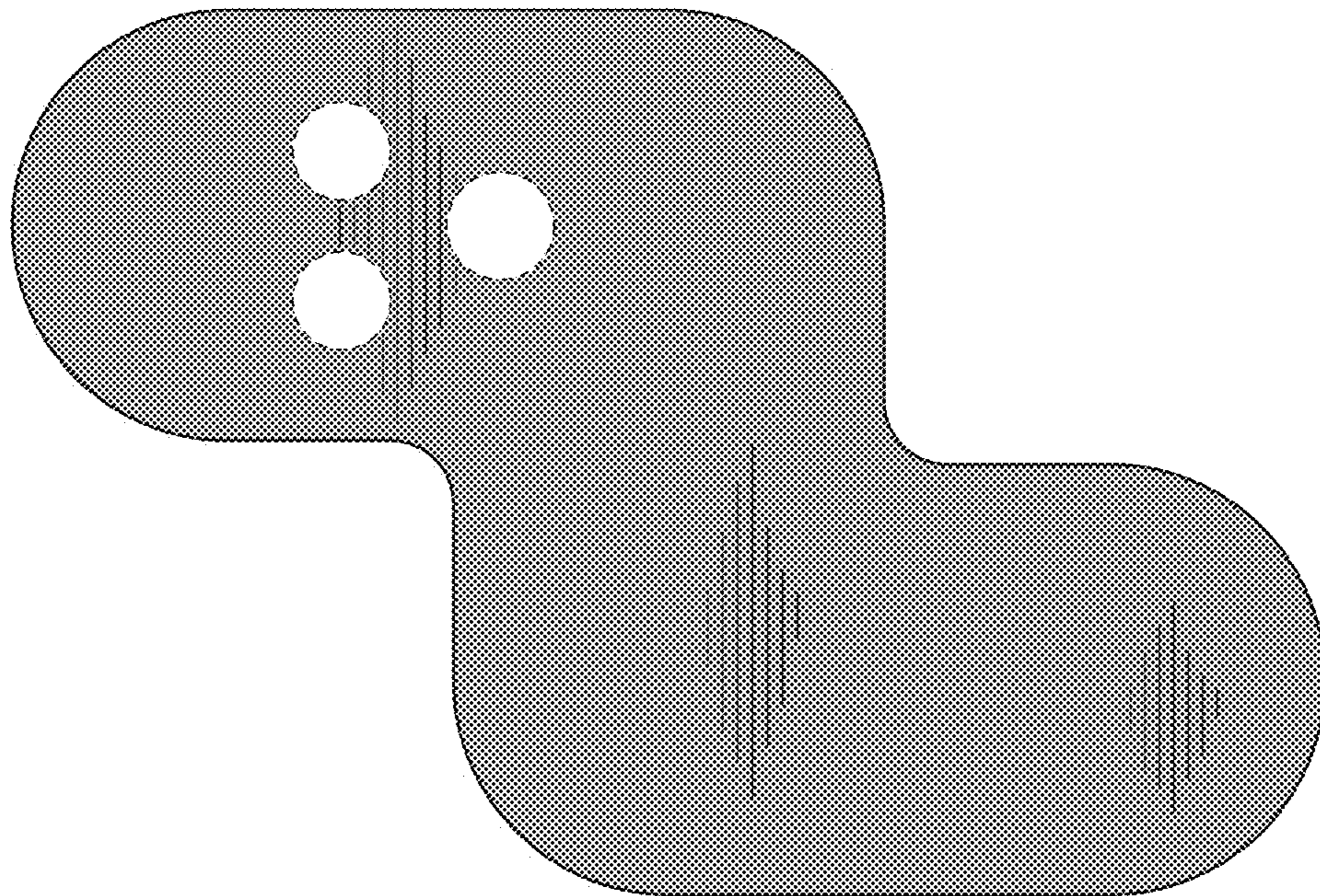
*FIG. 19*



*FIG. 21*



*FIG. 23*



*FIG. 24*