



US00D884493S

(12) **United States Design Patent** (10) **Patent No.:** **US D884,493 S**  
**Erbacher et al.** (45) **Date of Patent:** **\*\* May 19, 2020**

(54) **HYDRONIC ZONE CONTROLLER**

H05K 5/0243; H05K 5/00; H05K 5/03;  
H04M 2250/12; H04M 2250/22

(71) Applicant: **Ademco Inc.**, Golden Valley, MN (US)

See application file for complete search history.

(72) Inventors: **Jonathan Erbacher**, Minneapolis, MN (US); **Travis J. Read**, Little Canada, MN (US); **Rajat Shail**, Stevensville, MI (US); **Cameron K. Vreeland**, Mound, MN (US); **Nathan Carlson**, Maple Grove, MN (US)

(56) **References Cited**

U.S. PATENT DOCUMENTS

D290,694 S 7/1987 Shimizu et al.  
D304,929 S 12/1989 Bench et al.  
D312,612 S 12/1990 Seymour  
D401,909 S 12/1998 Richman et al.  
D558,684 S 1/2008 Dornauer et al.

(Continued)

(73) Assignee: **Ademco Inc.**, Golden Valley, MN (US)

(\*\*) Term: **15 Years**

OTHER PUBLICATIONS

(21) Appl. No.: **29/702,431**

Prosecution History from U.S. Appl. No. 29/631,592, dated Dec. 29, 2017 through May 15, 2019, 24 pp.

(22) Filed: **Aug. 19, 2019**

**Related U.S. Application Data**

*Primary Examiner* — Antoine Duval Davis

(62) Division of application No. 29/631,592, filed on Dec. 29, 2017, now Pat. No. Des. 862,255.

(74) *Attorney, Agent, or Firm* — Shumaker & Sieffert, P.A.

(51) **LOC (12) Cl.** ..... **10-04**

(57) **CLAIM**

(52) **U.S. Cl.**

The ornamental design for a hydronic zone controller, as shown and described.

USPC ..... **D10/49**; D13/162

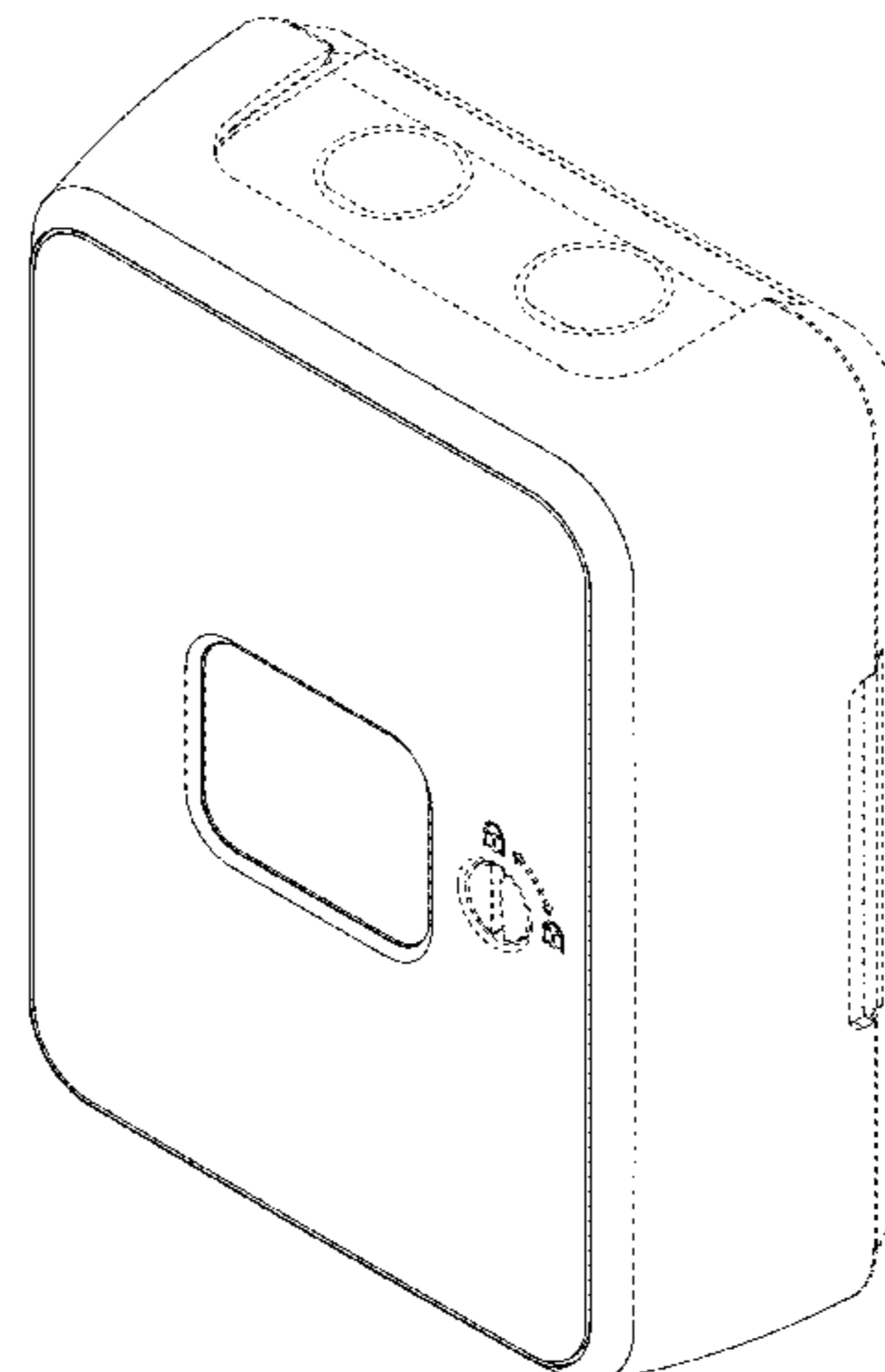
(58) **Field of Classification Search**

**DESCRIPTION**

USPC ..... D10/49, 50; D13/162, 162.1, 177  
CPC . F23N 5/20; F23N 5/203; F23N 5/206; F23N 5/18; F23N 5/184; F23N 5/187; F23N 5/22; F23N 2025/12; F23N 2041/02; F24F 11/00; F24F 11/0012; F24F 11/0009; F24F 11/001; F24F 2011/0057; F24F 2011/0073; F24F 2011/0091; F24F 2011/0094; F24F 2011/0068; F24F 2011/0012; F24F 2011/0015; F24F 2011/0017; F21V 11/16; F21V 33/10; G05B 19/042; G05D 23/01; G05D 23/12; G05D 23/275; G05D 23/1902; G05D 23/1904; G05D 23/27502; G05D 23/27503; G05D 23/1919; G05D 23/19; G05D 23/2723; G05D 23/00; G09F 13/22; G09F 9/53; G06F 1/1684; G06F 1/30; G06F 3/0362; G06F 3/038; H05B 33/0854; H05B 37/0218; H05K 5/0017;

FIG. 1 is a perspective view of a fourth embodiment of the hydronic zone controller;  
FIG. 2 is a front elevation view of the fourth embodiment of the hydronic zone controller of FIG. 1;  
FIG. 3 is a front elevation view of the fourth embodiment of the hydronic zone controller of FIG. 1 with user interface elements added; and,  
FIGS. 4-7 are left, right, top and bottom views, respectively, of the fourth embodiment of the hydronic zone controller of FIG. 1.  
The portions illustrated in broken lines on the figures are for illustrative purposes only and form no part of the claimed design.

**1 Claim, 7 Drawing Sheets**



(56)

**References Cited**

U.S. PATENT DOCUMENTS

D562,261 S	2/2008	Takach et al.	
D562,262 S	2/2008	Takach et al.	
D563,325 S	3/2008	Takach et al.	
D570,791 S	6/2008	Takach et al.	
D571,734 S	6/2008	Takach et al.	
D602,445 S	10/2009	Liu	
D678,218 S *	3/2013	Sheen .....	D13/168
D680,501 S	4/2013	Elliott et al.	
D693,311 S	11/2013	Biller et al.	
D727,857 S	4/2015	Acera et al.	
D733,591 S *	7/2015	Golden .....	D10/50
D769,743 S	10/2016	Li	
D772,085 S	11/2016	Howe et al.	
D792,353 S	7/2017	Yoshida et al.	
D792,789 S *	7/2017	Read .....	D10/50
D804,432 S	12/2017	Burkell et al.	
10,096,996 B1 *	10/2018	Lin .....	H02J 1/00
D862,255 S	10/2019	Erbacher et al.	

\* cited by examiner

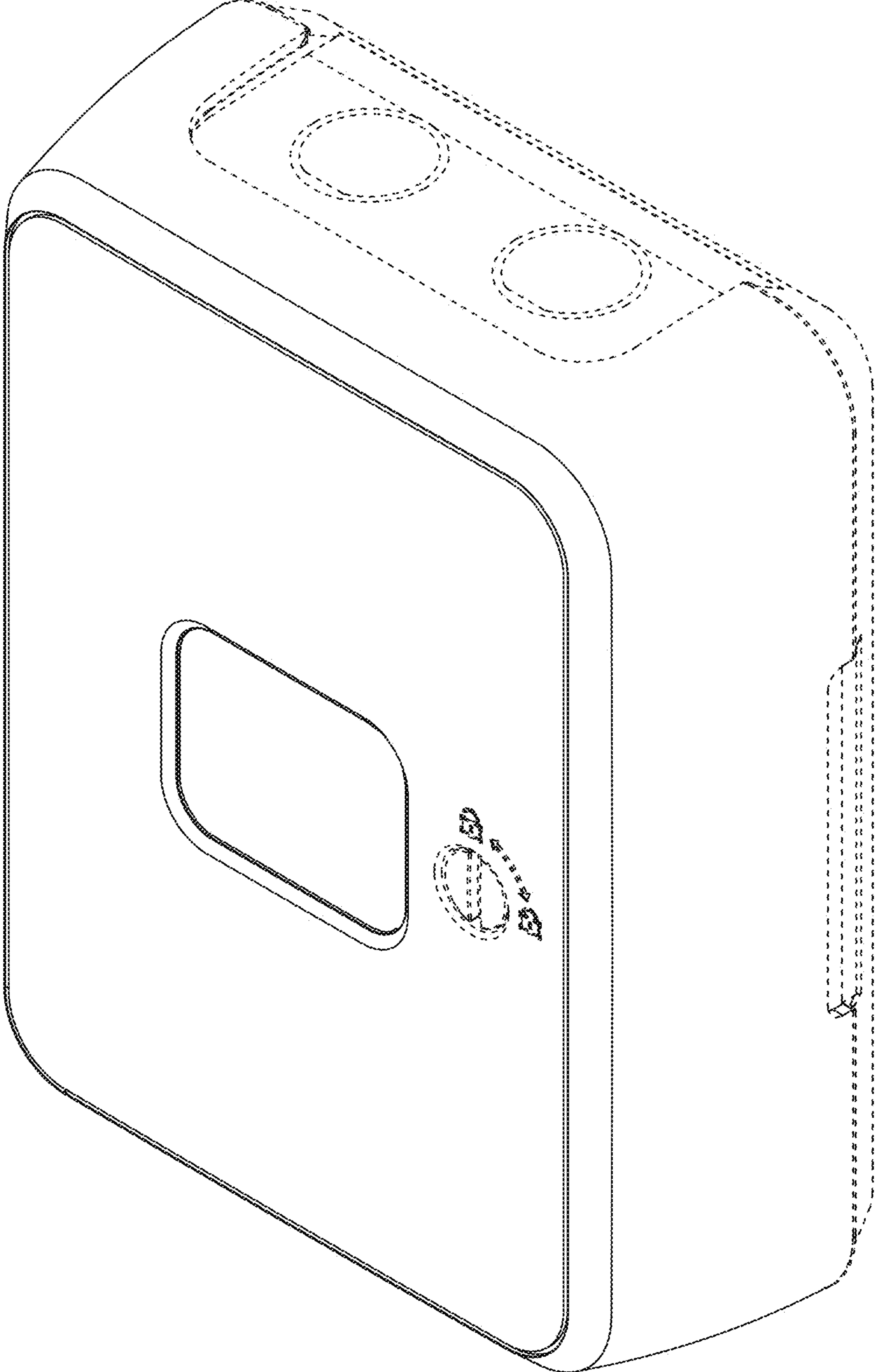


FIG. 1

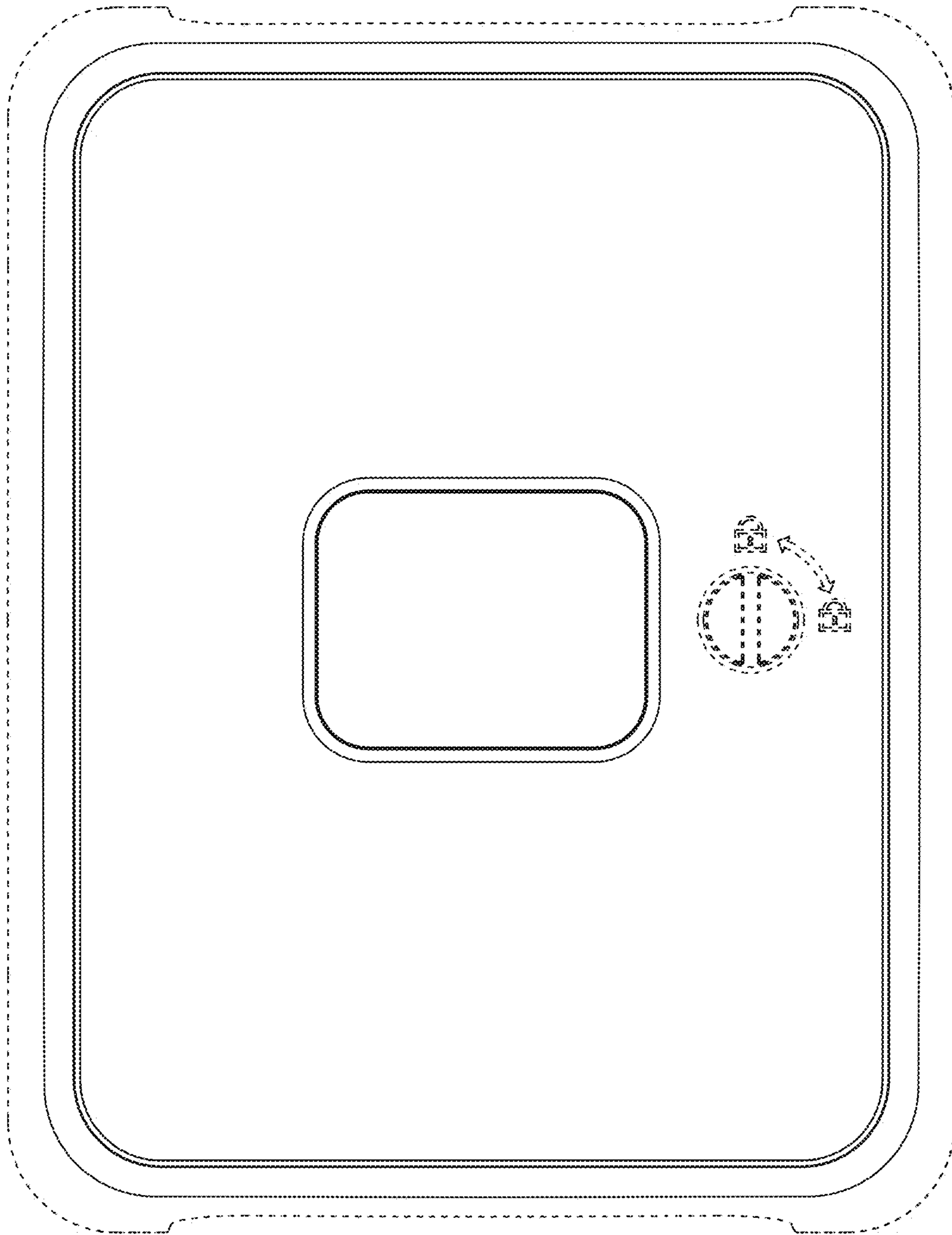
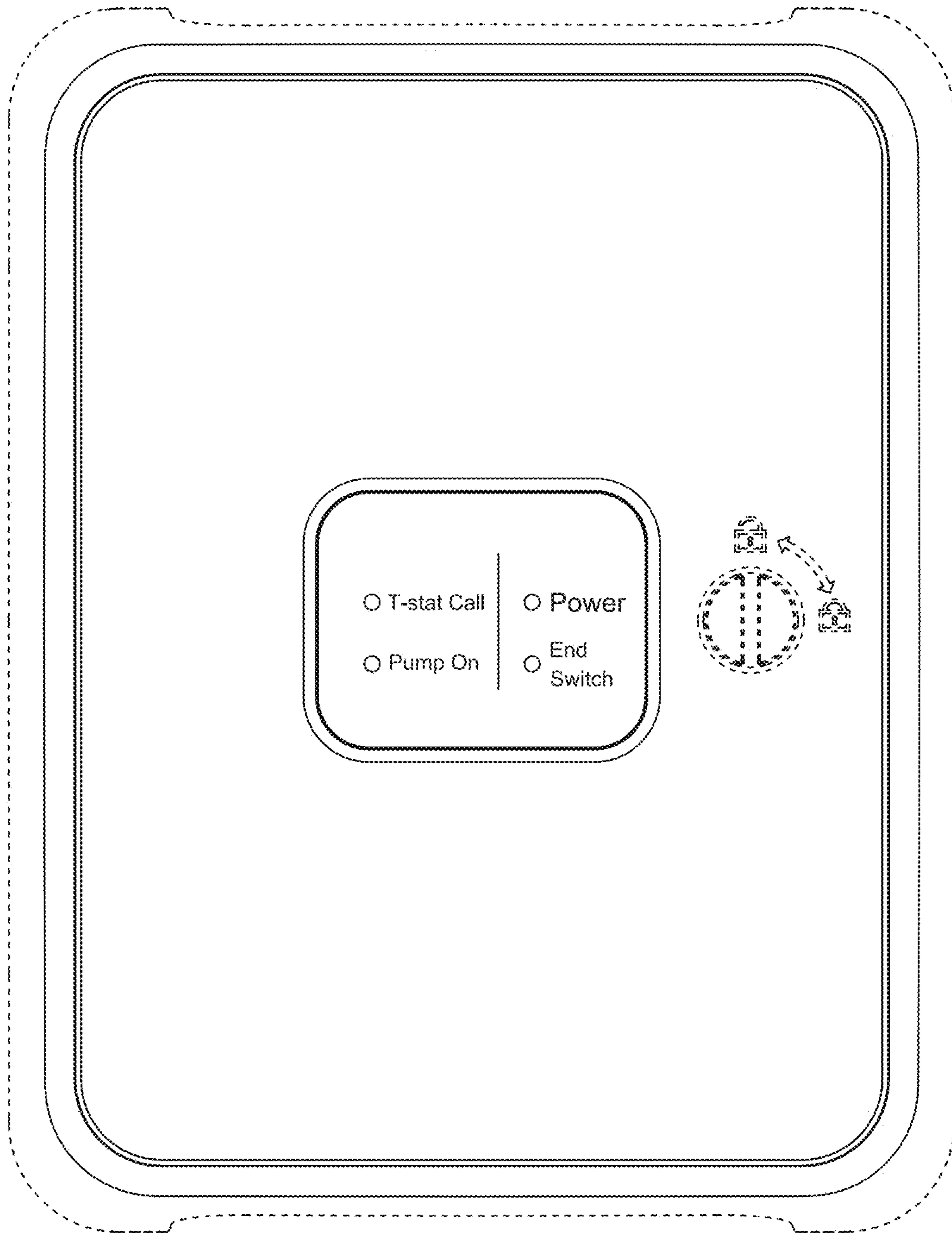


FIG. 2



**FIG. 3**

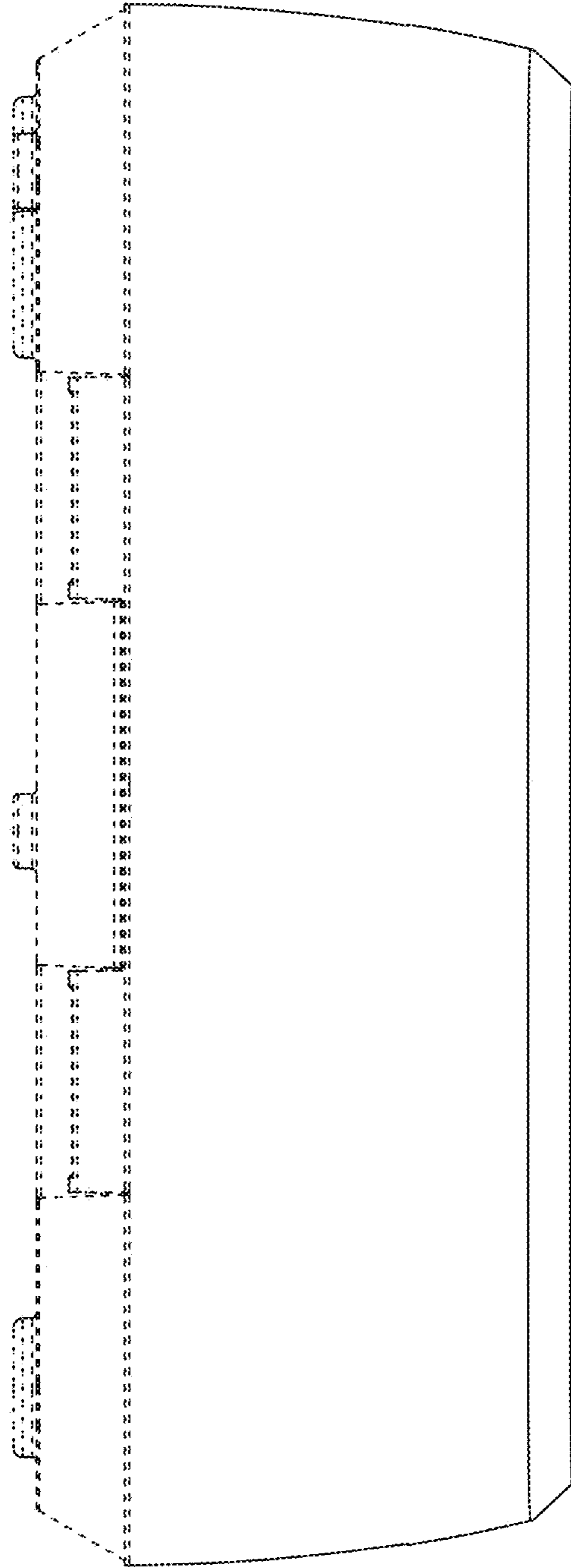


FIG. 4

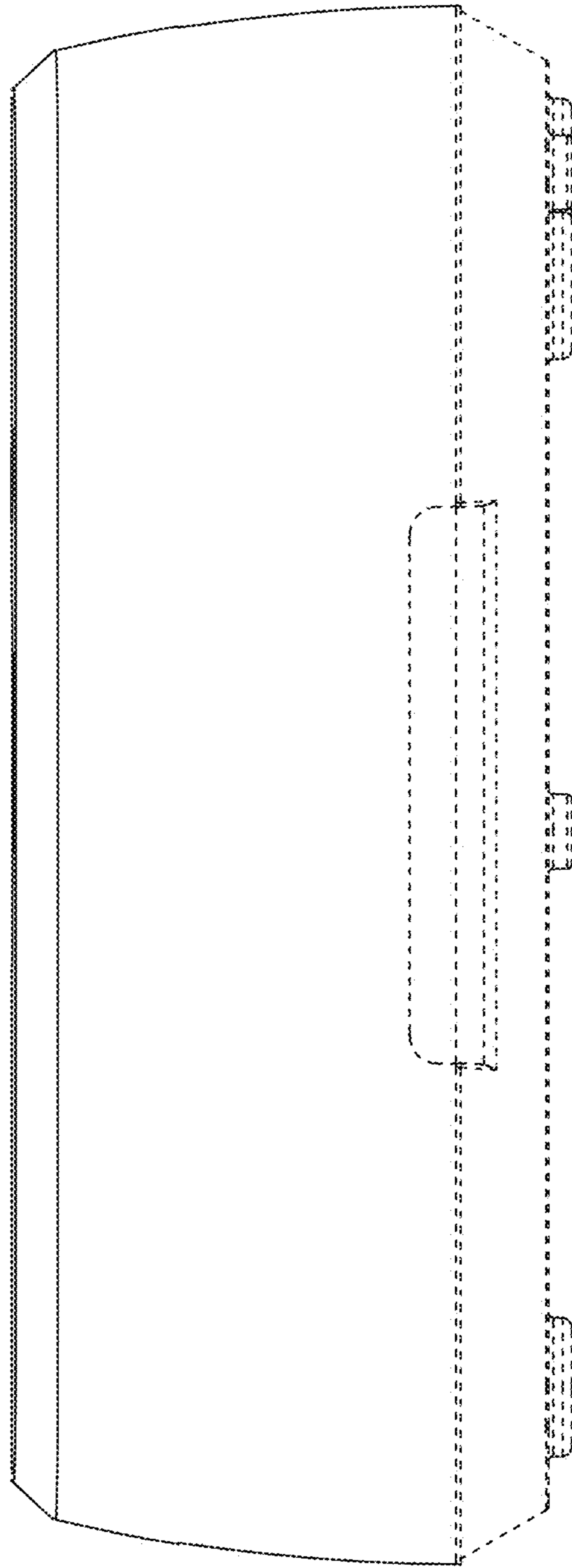
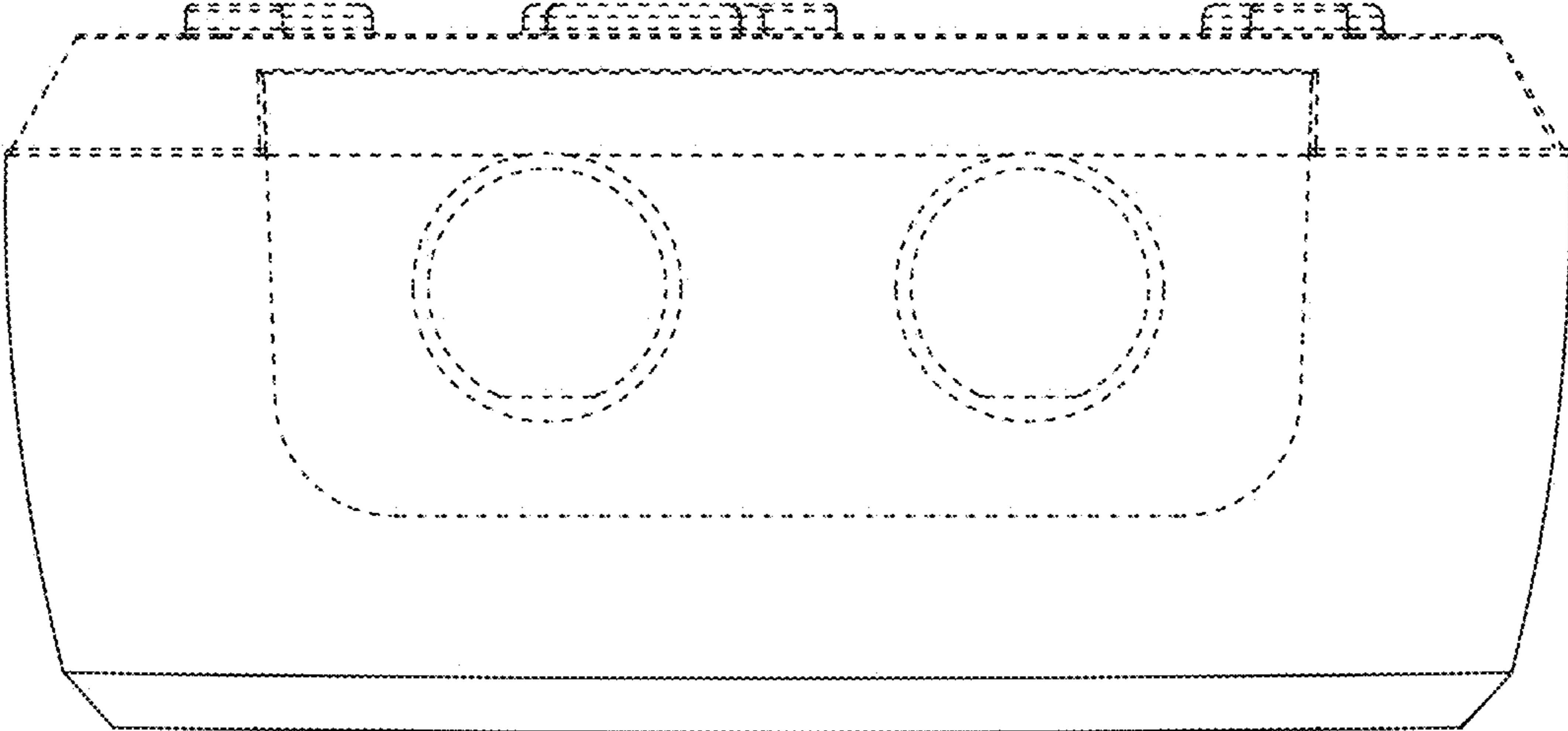
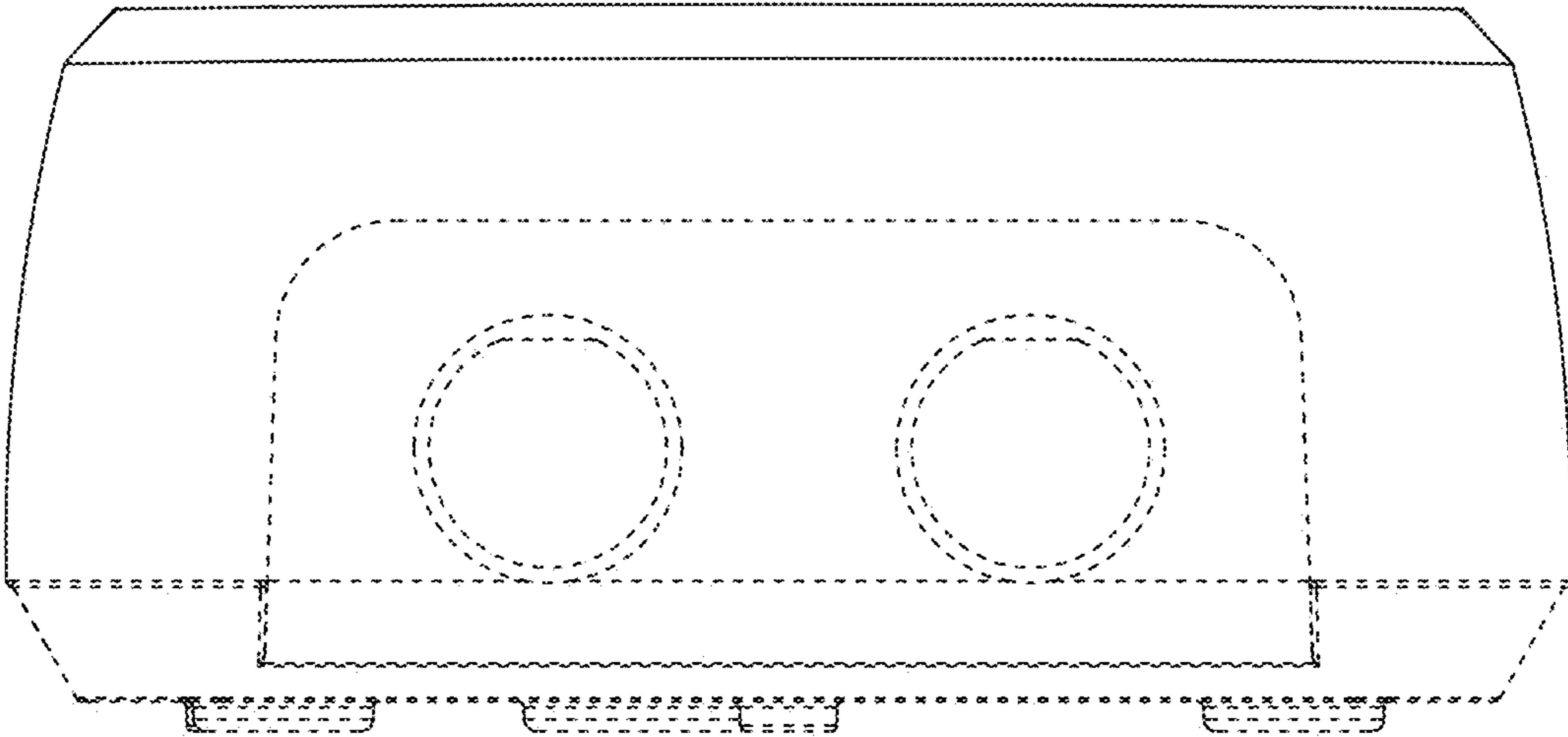


FIG. 5



**FIG. 6**





**FIG. 7**