



US00D884492S

(12) **United States Design Patent**
Deng

(10) **Patent No.:** **US D884,492 S**

(45) **Date of Patent:** **** May 19, 2020**

(54) **DETECTOR FOR METAL**

(71) Applicant: **Shanghai Tianxun Electronic Equipment Co., Ltd, Shanghai (CN)**

(72) Inventor: **Junhong Deng, Shanghai (CN)**

(**) Term: **15 Years**

(21) Appl. No.: **29/717,309**

(22) Filed: **Dec. 16, 2019**

(51) **LOC (12) Cl.** **10-04**

(52) **U.S. Cl.**
USPC **D10/47**

(58) **Field of Classification Search**
USPC D10/47
CPC ... G01V 3/00; G01V 3/02; G01V 3/04; G01V 3/06; G01V 3/08; G01V 3/081; G01V 3/082; G01V 3/083; G01V 2003/084; G01V 2003/085; G01V 2003/086; G01V 3/087; G01V 3/088; G01V 3/10; G01V 3/101; G01V 3/102; G01V 3/104; G01V 3/105; G01V 3/107; G01V 3/108; G01V 3/12; G01V 3/14; G01V 3/15; G01V 3/16; G01V 3/165; G01V 3/17; G01V 3/175; G01V 3/18; G01V 3/20; G01V 3/22; G01V 3/24; G01V 3/26; G01V 3/265; G01V 3/28; G01V 3/30; G01V 3/32; G01V 3/34; G01V 3/36; G01V 3/38; G01V 3/40

See application file for complete search history.

D690,213 S * 9/2013 Walsh A01B 1/00
D10/47

8,842,035 B2 * 9/2014 Duvoisin, III G01S 13/885
342/22

9,021,661 B2 * 5/2015 Andel B25G 1/04
16/429

9,664,809 B2 * 5/2017 Fry G01V 3/104

9,733,353 B1 * 8/2017 Carlson G01S 13/878

9,864,089 B2 * 1/2018 Andel F41H 11/136

D844,462 S 4/2019 Griffin et al.

D844,463 S * 4/2019 Zhang G01V 3/104
D10/47

D867,170 S * 11/2019 Deng B25G 1/04
D10/47

D873,682 S * 1/2020 Shao G01S 13/885
D10/47

* cited by examiner

Primary Examiner — Antoine Duval Davis
(74) *Attorney, Agent, or Firm* — ZANIP

(57) **CLAIM**

The ornamental design for a detector for metal, as shown and described.

DESCRIPTION

FIG. 1 is a front and top perspective view of a detector for metal, showing my new design;
 FIG. 2 is a rear and bottom perspective view thereof;
 FIG. 3 is a front elevational view thereof;
 FIG. 4 is a rear elevational view thereof;
 FIG. 5 is a left side elevational view thereof;
 FIG. 6 is a right side elevational view thereof;
 FIG. 7 is a top plan view thereof; and,
 FIG. 8 is a bottom plan view thereof.

The broken lines in the figures illustrate portions of the detector for metal that form no part of the claimed design.

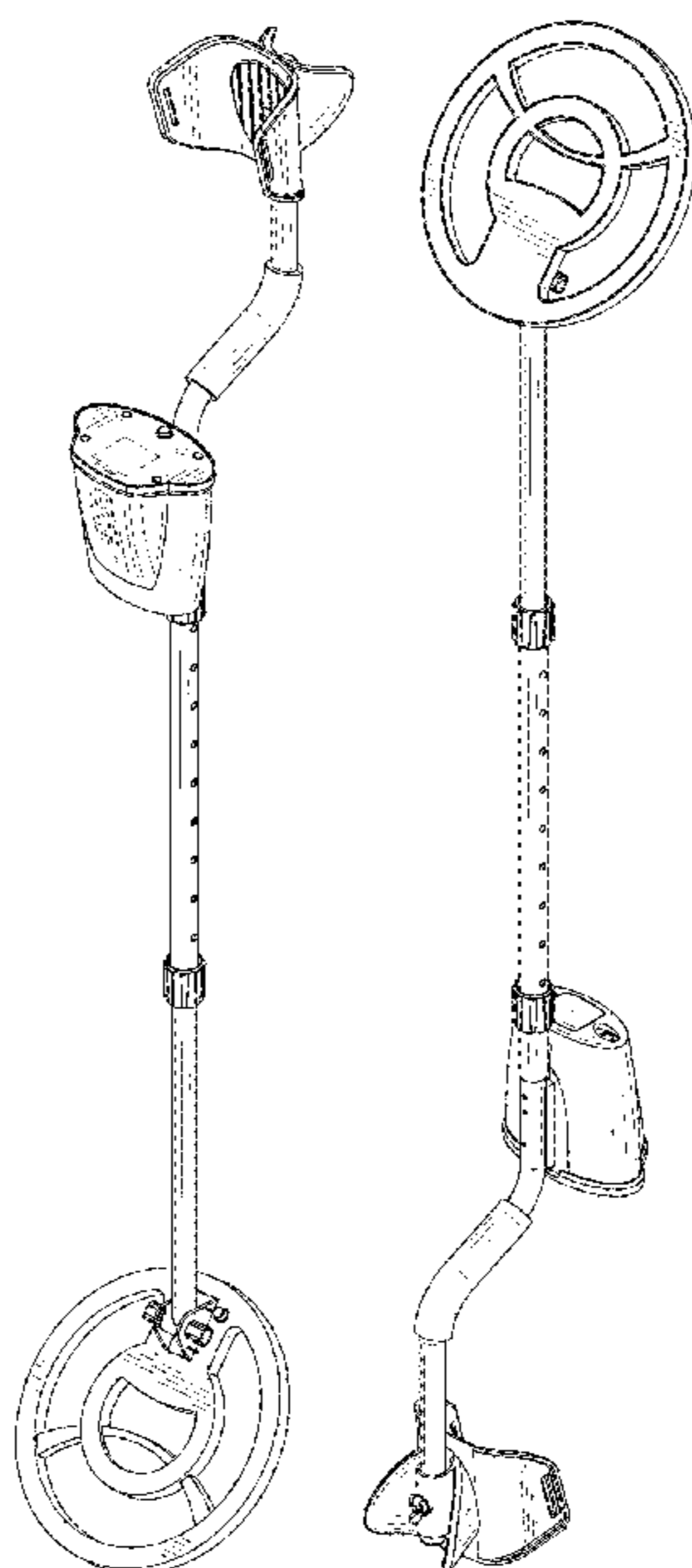
1 Claim, 8 Drawing Sheets

(56) **References Cited**

U.S. PATENT DOCUMENTS

D533,792 S * 12/2006 Johnson H04R 1/028
D10/47

D605,956 S * 12/2009 Hu H04R 1/028
D10/47



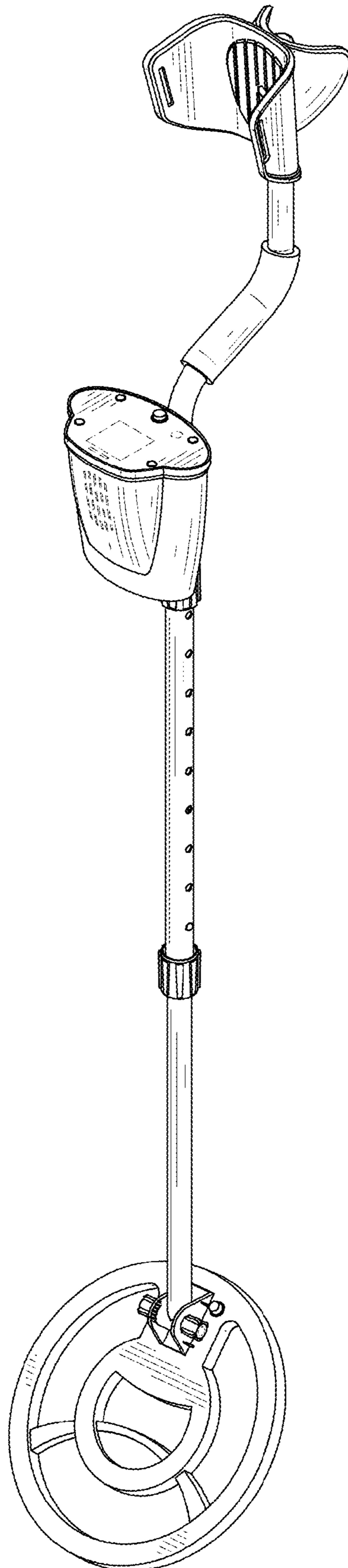


FIG. 1

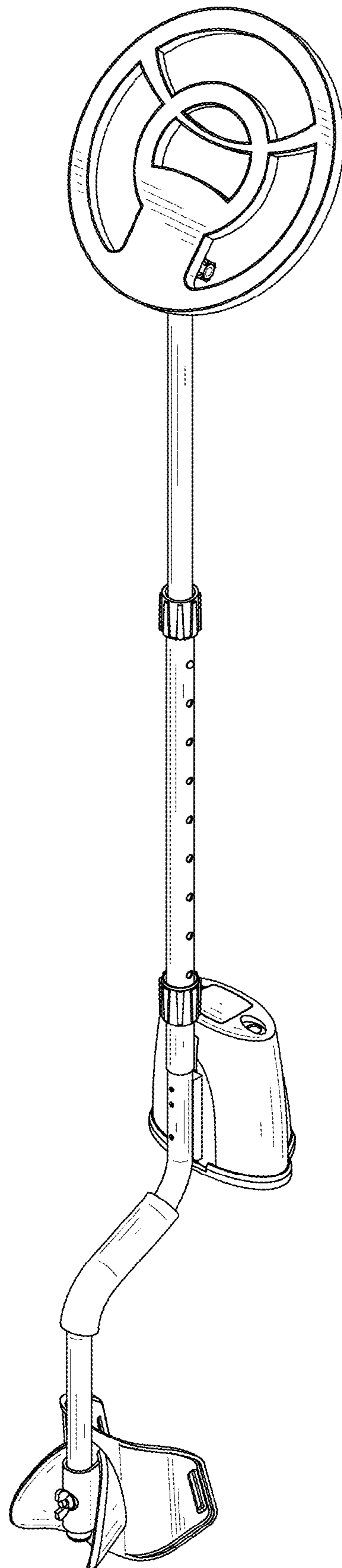


FIG. 2

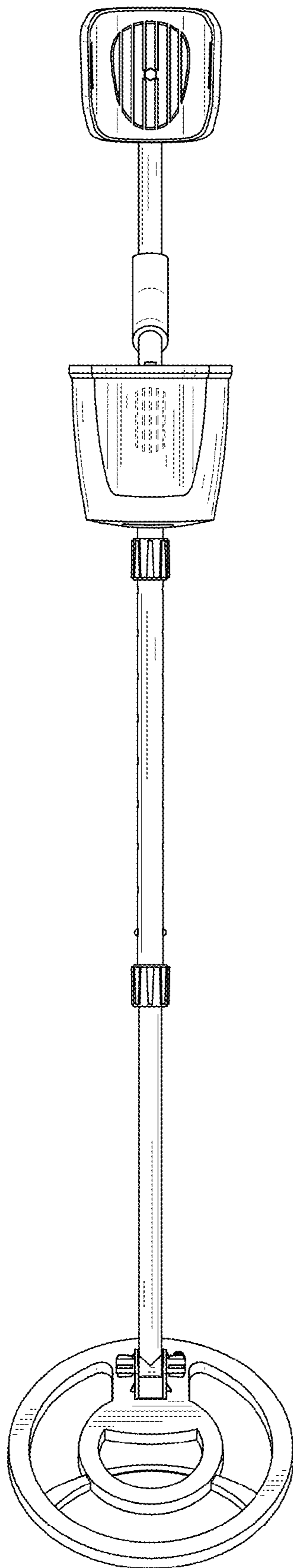


FIG. 3

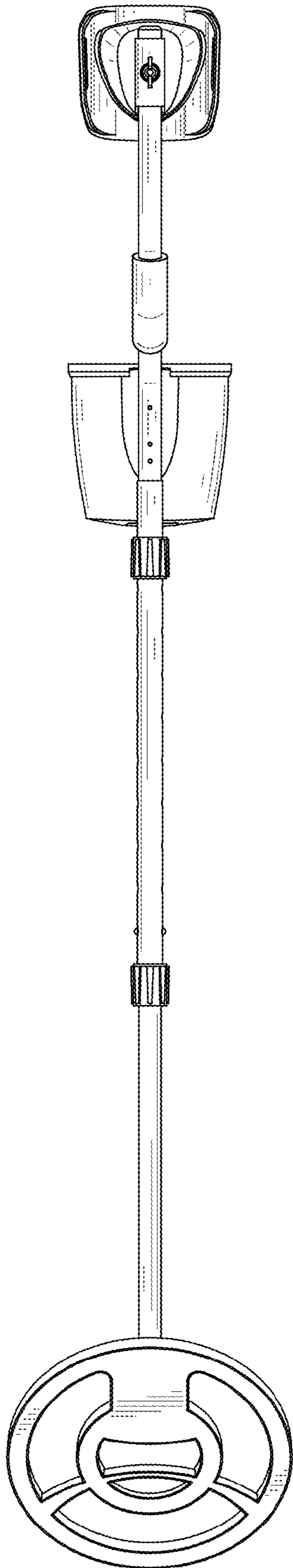


FIG. 4

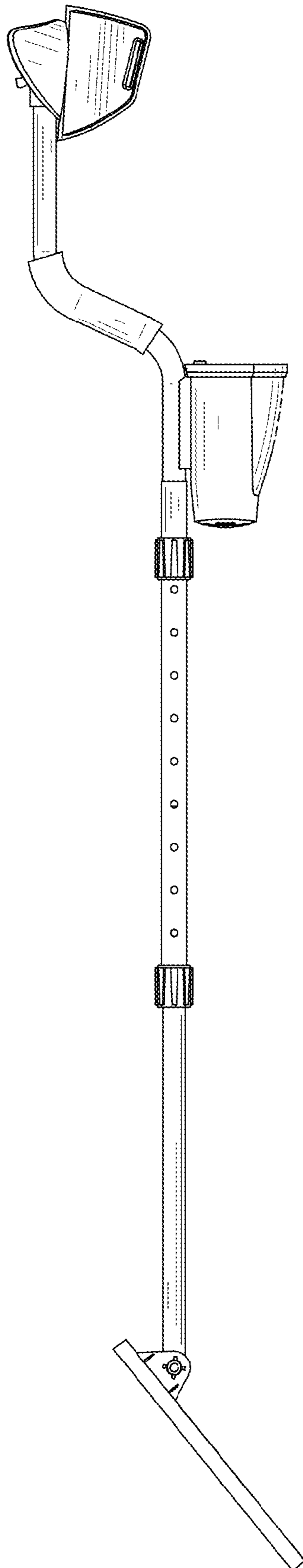


FIG. 5

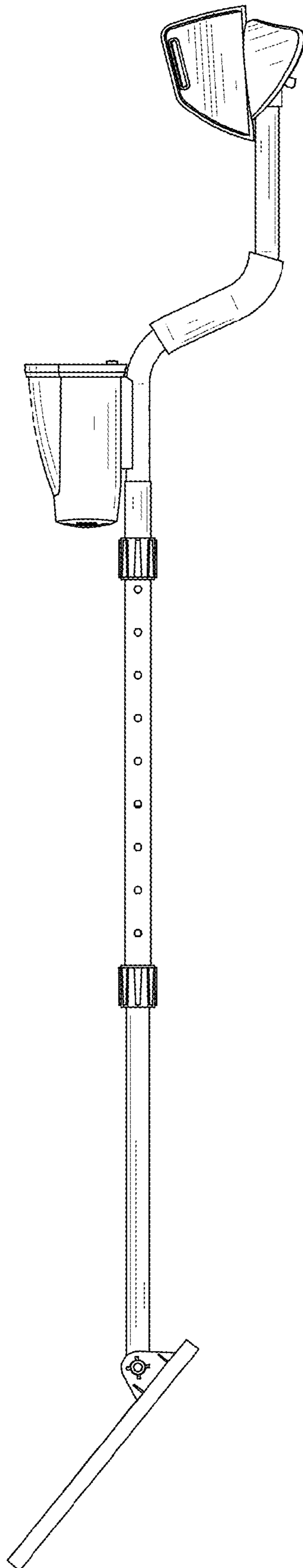


FIG. 6

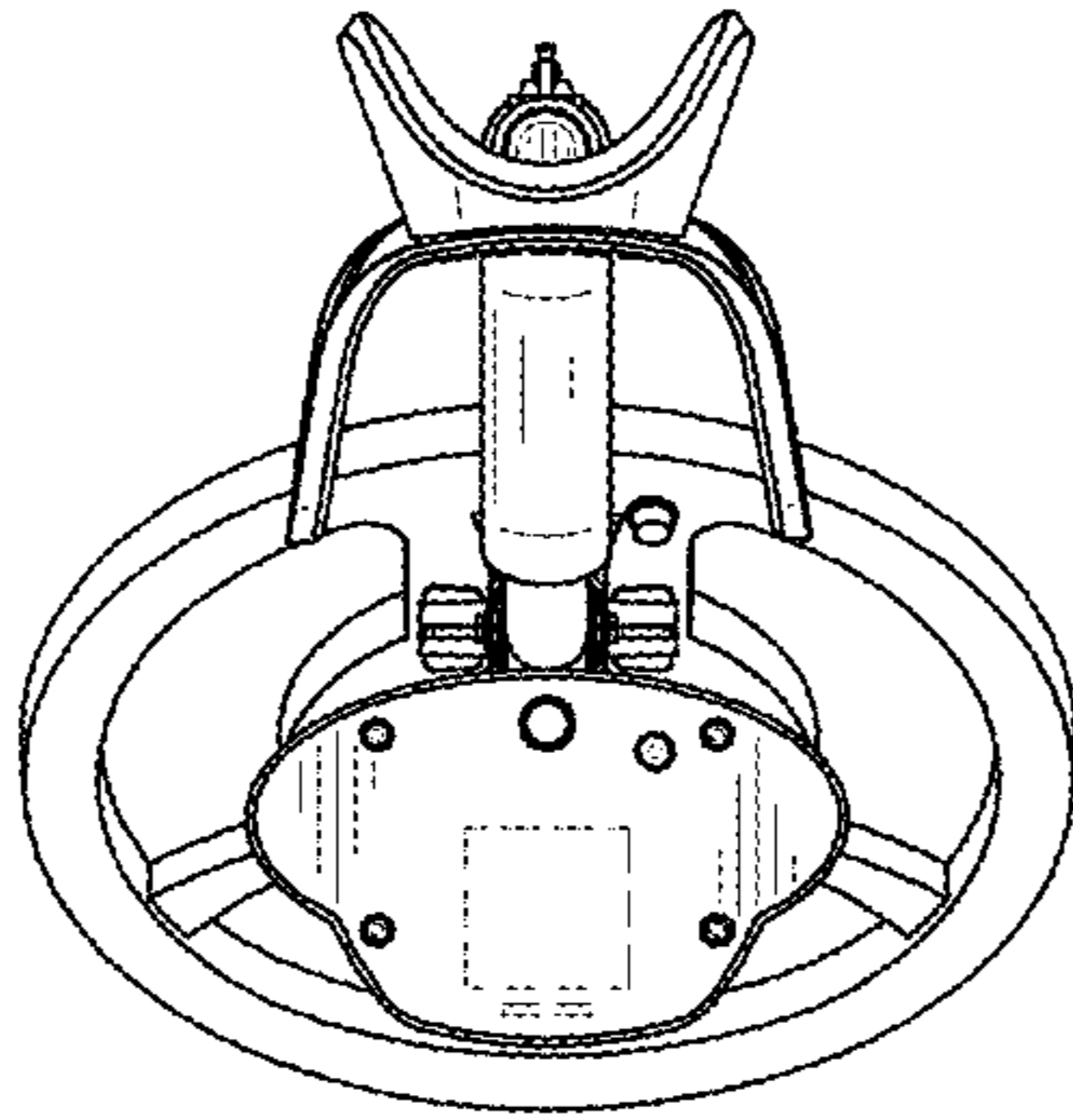


FIG. 7

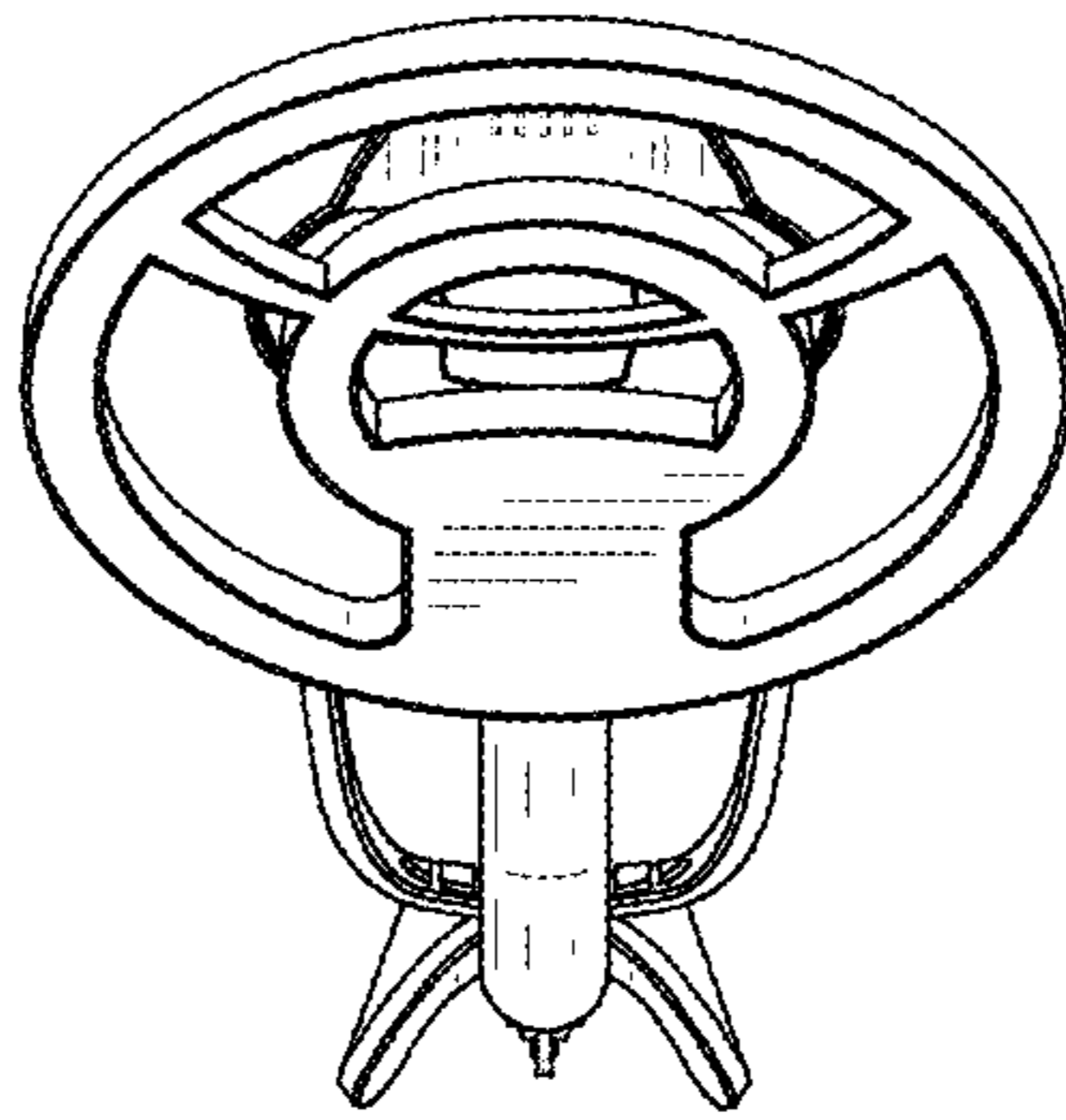


FIG. 8