



US00D884491S

(12) **United States Design Patent**
Scheufele

(10) **Patent No.:** **US D884,491 S**

(45) **Date of Patent:** **** May 19, 2020**

(54) **WATCH CASE**

FOREIGN PATENT DOCUMENTS

(71) Applicant: **Chopard International SA**, Prangins
(CH)

CA CND-201130186985 * 1/2012
CA CND-201830454208 * 12/2018
GB D-7000-0001 * 1/1997
JP D-2011-13628 * 3/2012

(72) Inventor: **Karl-Friedrich Scheufele**, Prangins
(CH)

* cited by examiner

(**) Term: **15 Years**

Primary Examiner — George D. Kirschbaum

(21) Appl. No.: **35/506,740**

(22) Filed: **Nov. 13, 2018**

(57) **CLAIM**

(80) **Hague Agreement Data**

The ornamental design for is a watch case, as shown and described.

Int. Filing Date: **Nov. 13, 2018**

Int. Reg. No.: **DM/200059**

Int. Reg. Date: **Nov. 13, 2018**

Int. Reg. Pub. Date: **May 17, 2019**

DESCRIPTION

(51) **LOC (12) Cl.** **10-02**

(52) **U.S. Cl.**
USPC **D10/38**

(58) **Field of Classification Search**
USPC D10/30, 38, 39
See application file for complete search history.

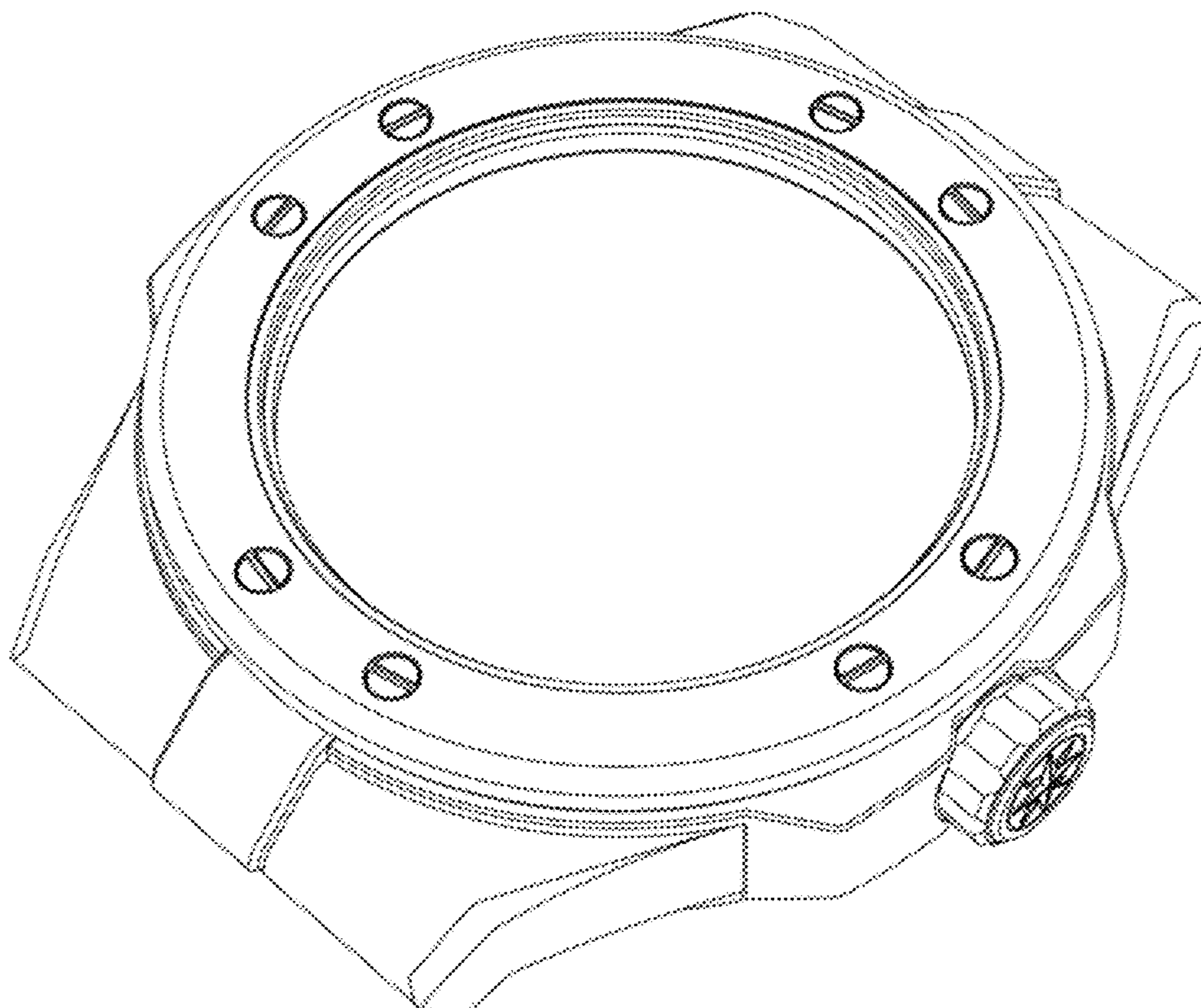
- 1. Watch case
- 1.1 is a front view.
- 1.2 is a back view.
- 1.3 is a top view.
- 1.4 is a bottom view.
- 1.5 is a left side view.
- 1.6 is a right side view.
- 1.7 is a perspective view.

(56) **References Cited**

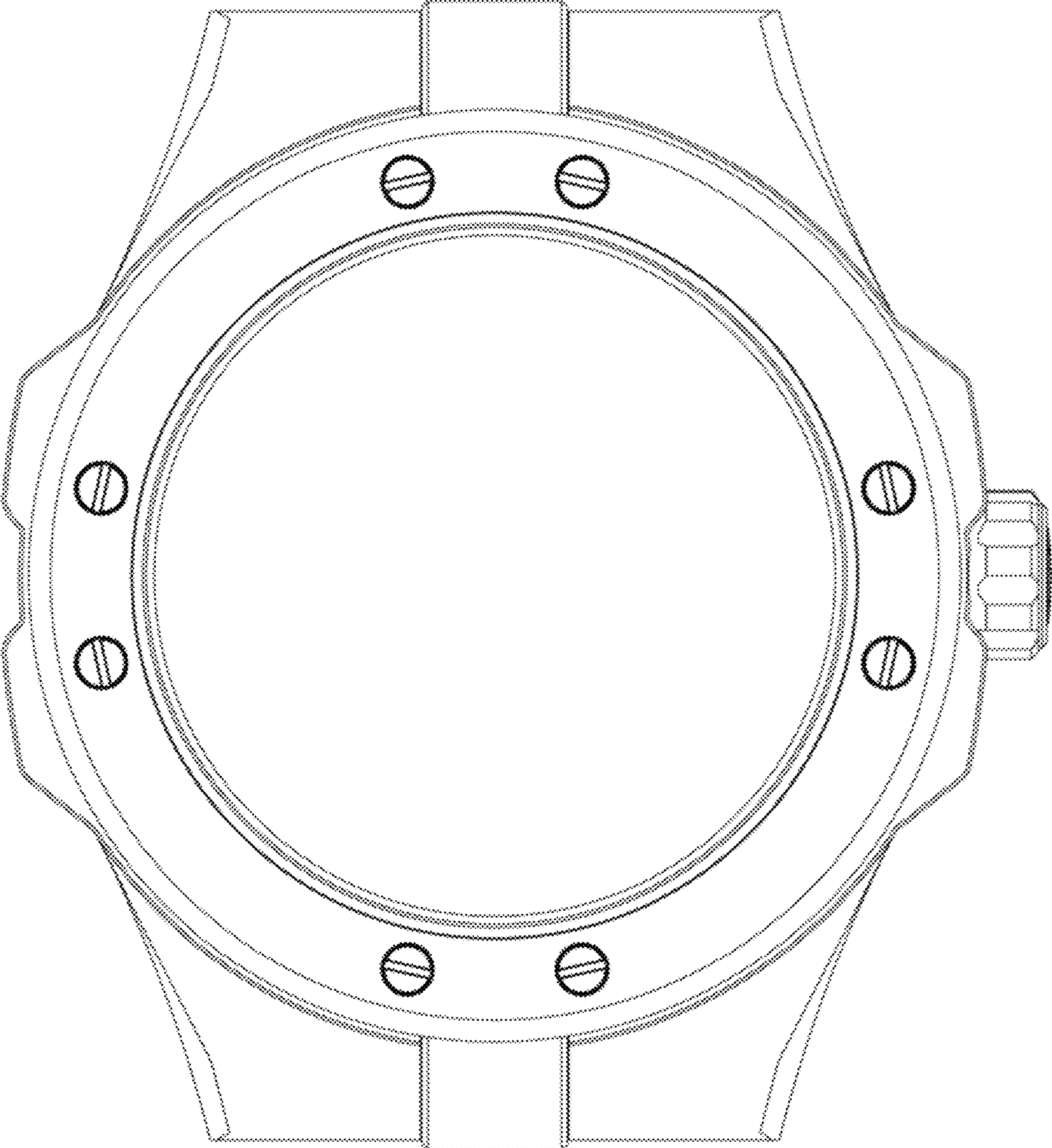
U.S. PATENT DOCUMENTS

D502,409 S * 3/2005 Figueiredo D10/30
D637,095 S * 5/2011 Vaptzarof D10/38
D735,586 S * 8/2015 Stegmann D10/30

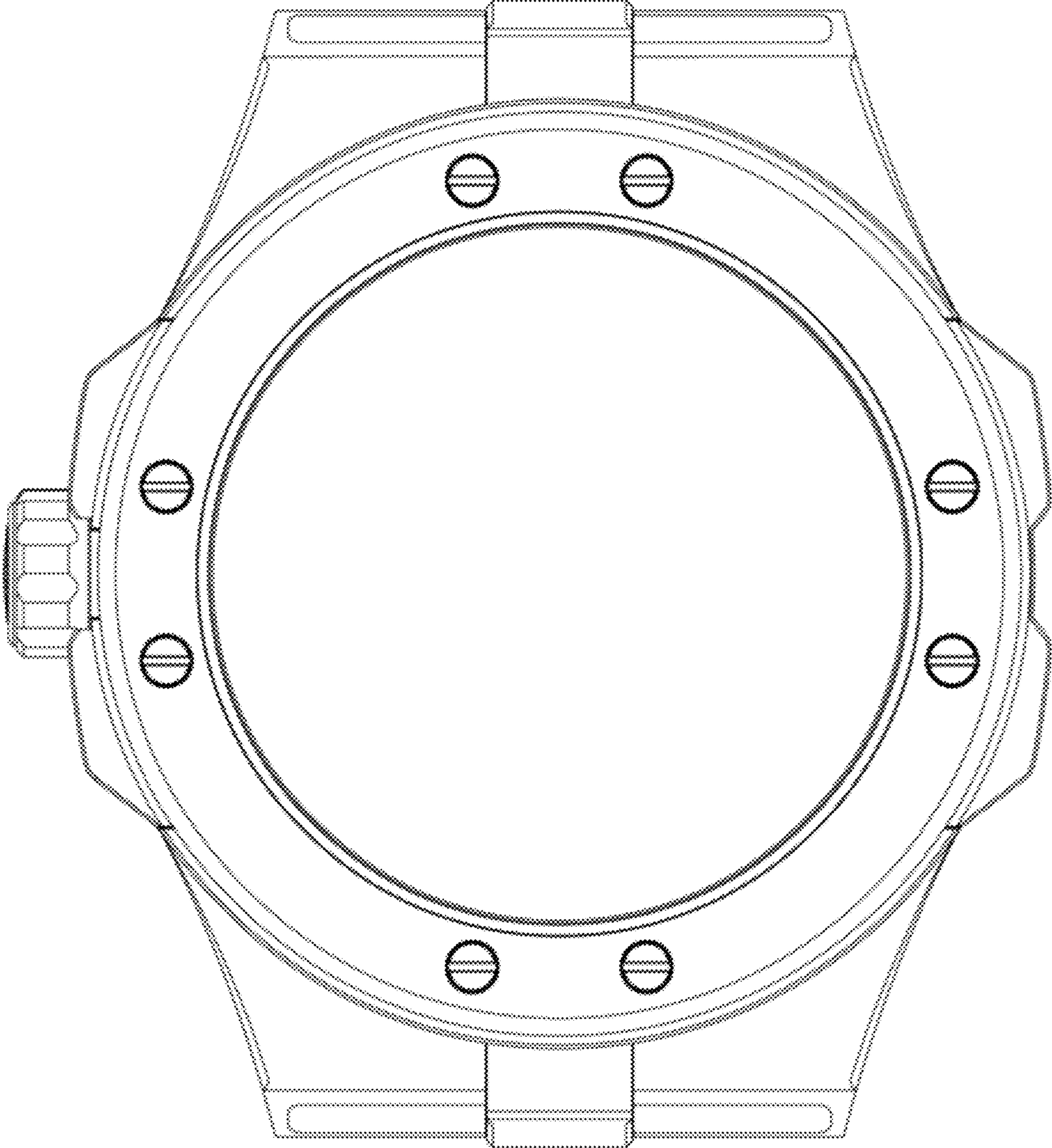
1 Claim, 7 Drawing Sheets



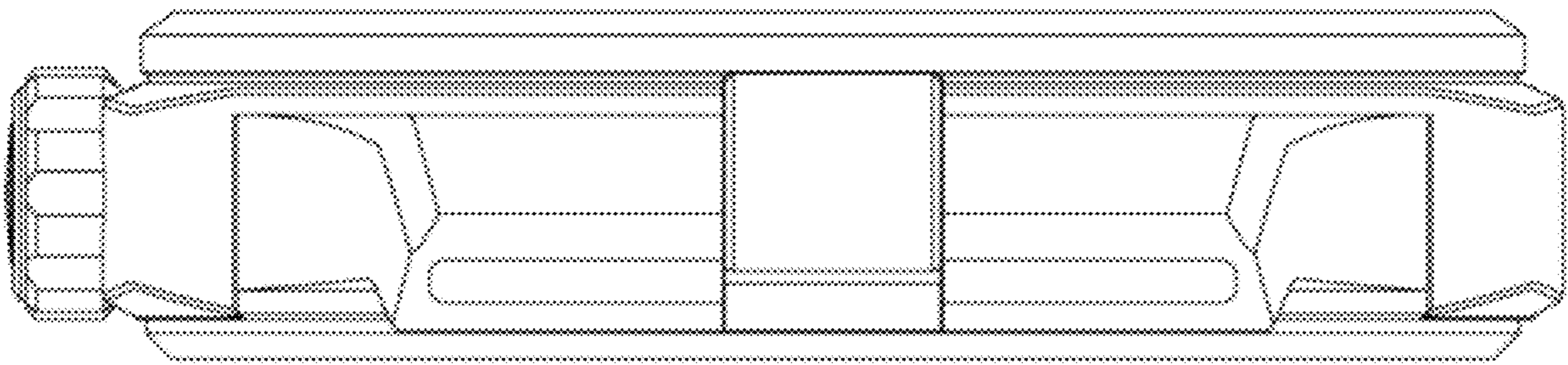
1.1



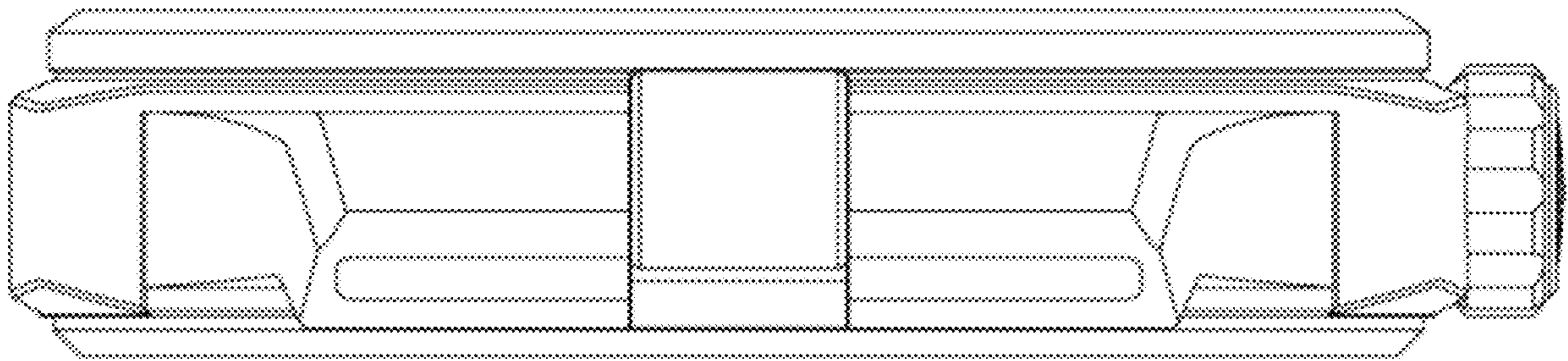
1.2



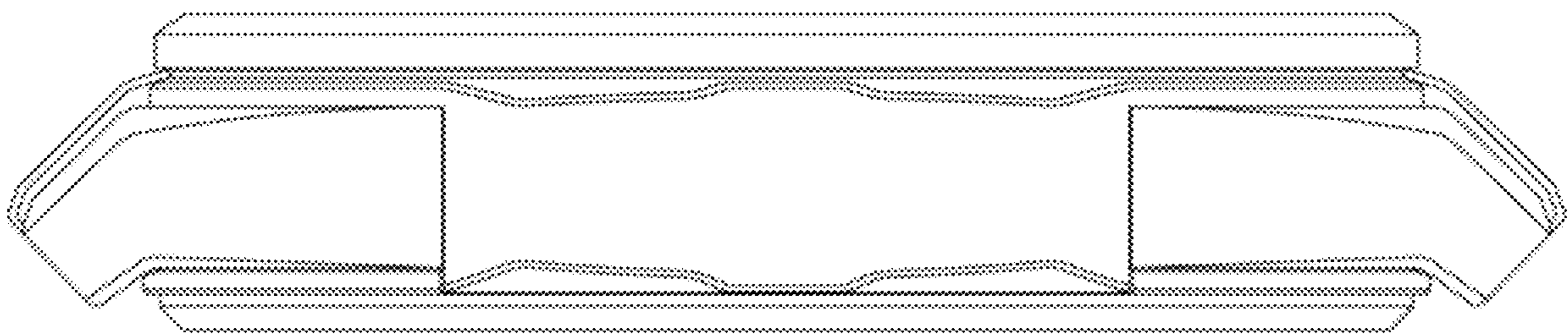
1.3



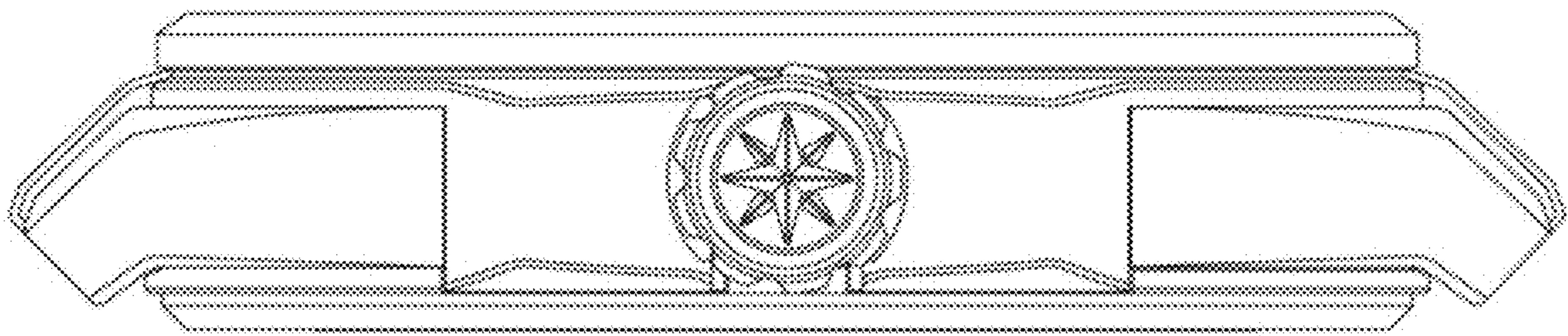
1.4



1.5



1.6



1.7

