



US00D884490S

(12) **United States Design Patent** (10) **Patent No.:** **US D884,490 S**
Lalo (45) **Date of Patent:** **** May 19, 2020**

(54) **WATCH**

(71) Applicant: **Invicta Watch Company of America, Inc.**, Hollywood, FL (US)

(72) Inventor: **Eyal Lalo**, Hallandale, FL (US)

(73) Assignee: **Invicta Watch Company of America, Inc.**, Hollywood, FL (US)

(**) Term: **15 Years**

(21) Appl. No.: **29/673,059**

(22) Filed: **Dec. 11, 2018**

(51) **LOC (12) Cl.** **10-02**

(52) **U.S. Cl.**
USPC **D10/38**

(58) **Field of Classification Search**

USPC ... D10/1, 30, 31, 32, 33, 34, 35, 36, 37, 38,
D10/39, 122, 123, 124, 126, 128; D11/3,
D11/4, 6, 12, 13
CPC G04B 37/00; G04B 37/0008; G04B 37/05;
G04B 37/081; G04B 37/087; G04B
19/106; G04B 19/10; G04B 19/12; G04B
19/14

See application file for complete search history.

(56) **References Cited**

U.S. PATENT DOCUMENTS

D331,707 S	*	12/1992	Iwata	D10/30
D394,817 S	*	6/1998	Roales	D10/30
D443,212 S	*	6/2001	Giardiello	D10/32
D449,005 S	*	10/2001	Ando	D10/30
D476,906 S	*	7/2003	Nussbaum	D10/30
D552,492 S	*	10/2007	Wang	D10/38
D761,131 S	*	7/2016	Nunes	D10/128
D761,132 S	*	7/2016	Nunes	D10/128

OTHER PUBLICATIONS

Youtube, Transformers KO Robot Watch, posted Jul. 23, 2017, [online], [visited Oct. 29, 2019]. Internet, URL: <https://www.youtube.com/watch?v=VXvHiiRzKBO> (Year: 2017).*

Amazon, Rotary Evolution Gents Reversible Dial, posted Jan. 12, 2007, [online], [visited Oct. 29, 2019]. Internet, URL: https://www.amazon.com/Rotary-Evolution-Reversible-Leather-EGS0007/dp/B00DMRYF86/ref=olp_product_details?_encoding=UTF8&me= (Year: 2007).*

* cited by examiner

Primary Examiner — Sheryl Lane

Assistant Examiner — Samantha N Wood

(74) *Attorney, Agent, or Firm* — Seth Natter; Natter & Natter

(57) **CLAIM**

The ornamental design for a watch, as shown and described.

DESCRIPTION

FIG. 1 is a perspective view of a watch showing my new design;

FIG. 2 is a top view thereof;

FIG. 3 is a bottom view thereof;

FIG. 4 is a left side view thereof;

FIG. 5 is a right side view thereof;

FIG. 6 is a back view thereof;

FIG. 7 is a front view thereof;

FIG. 8 is a perspective view shown in use condition;

FIG. 9 is a top view thereof;

FIG. 10 is a bottom view thereof;

FIG. 11 is a left side view thereof;

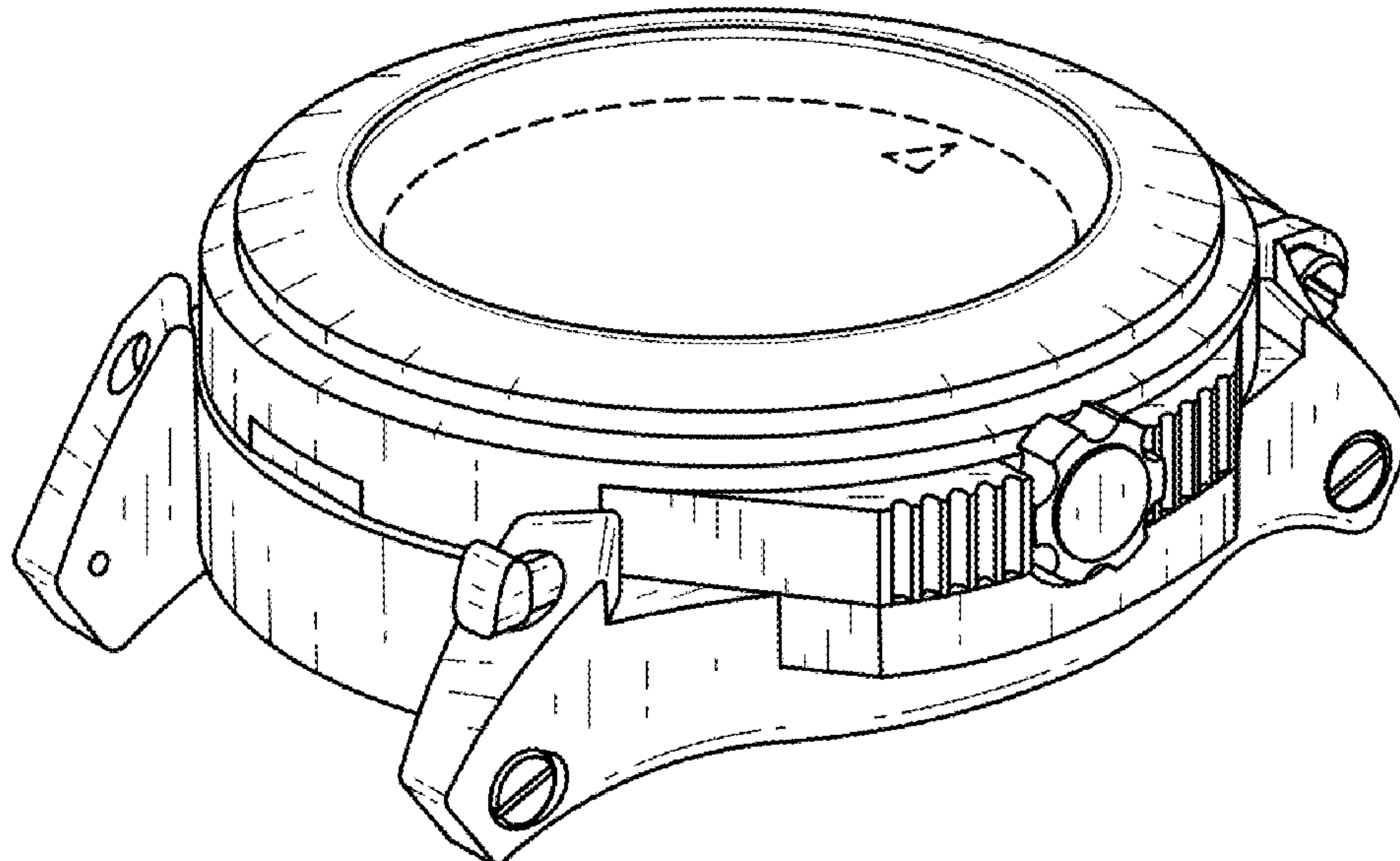
FIG. 12 is a right side view thereof;

FIG. 13 is a back view thereof; and,

FIG. 14 is a front view thereof.

The broken lines are included for the purpose of showing the environmental structure and form no part of the claimed design.

1 Claim, 10 Drawing Sheets



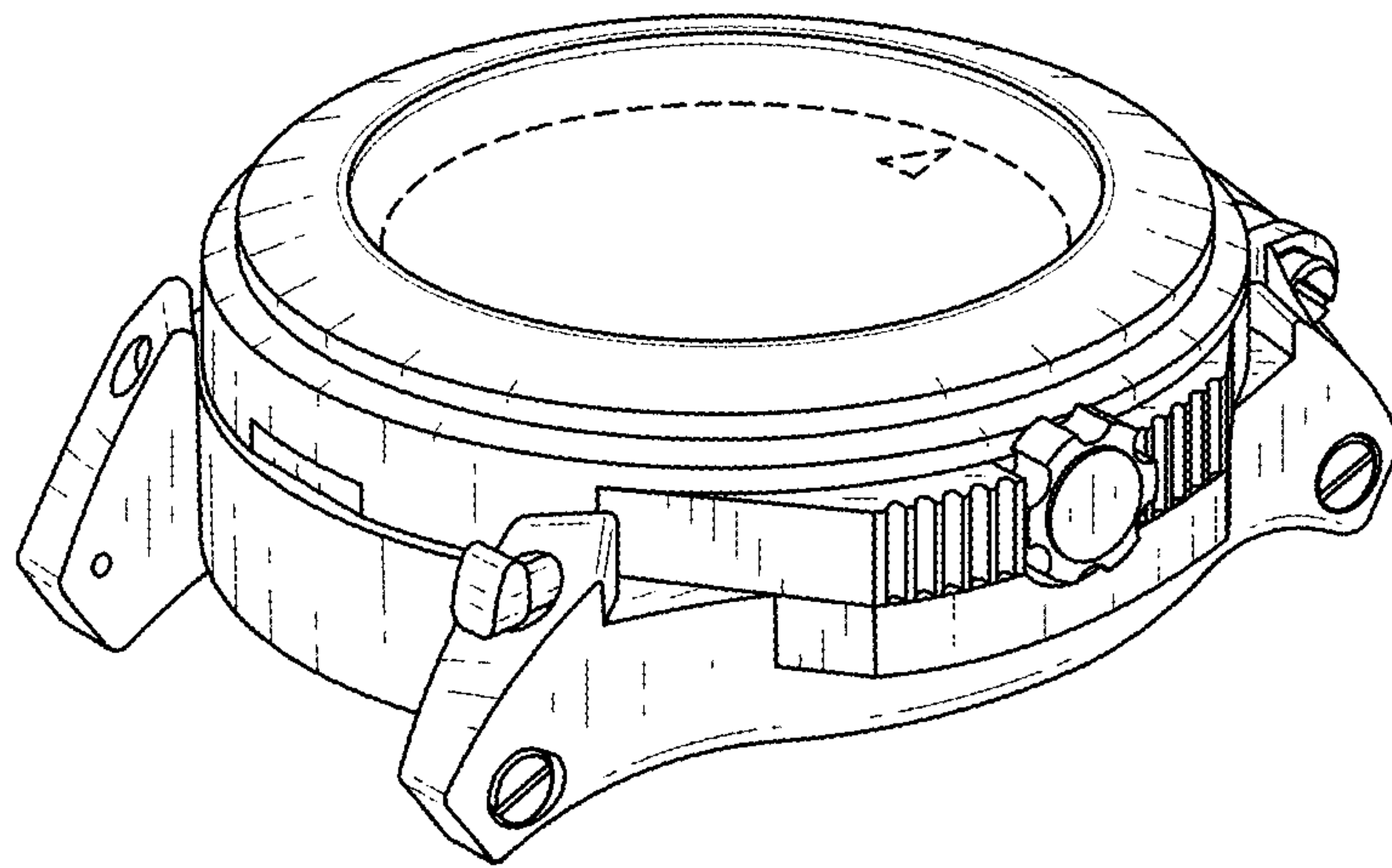


Fig. 1

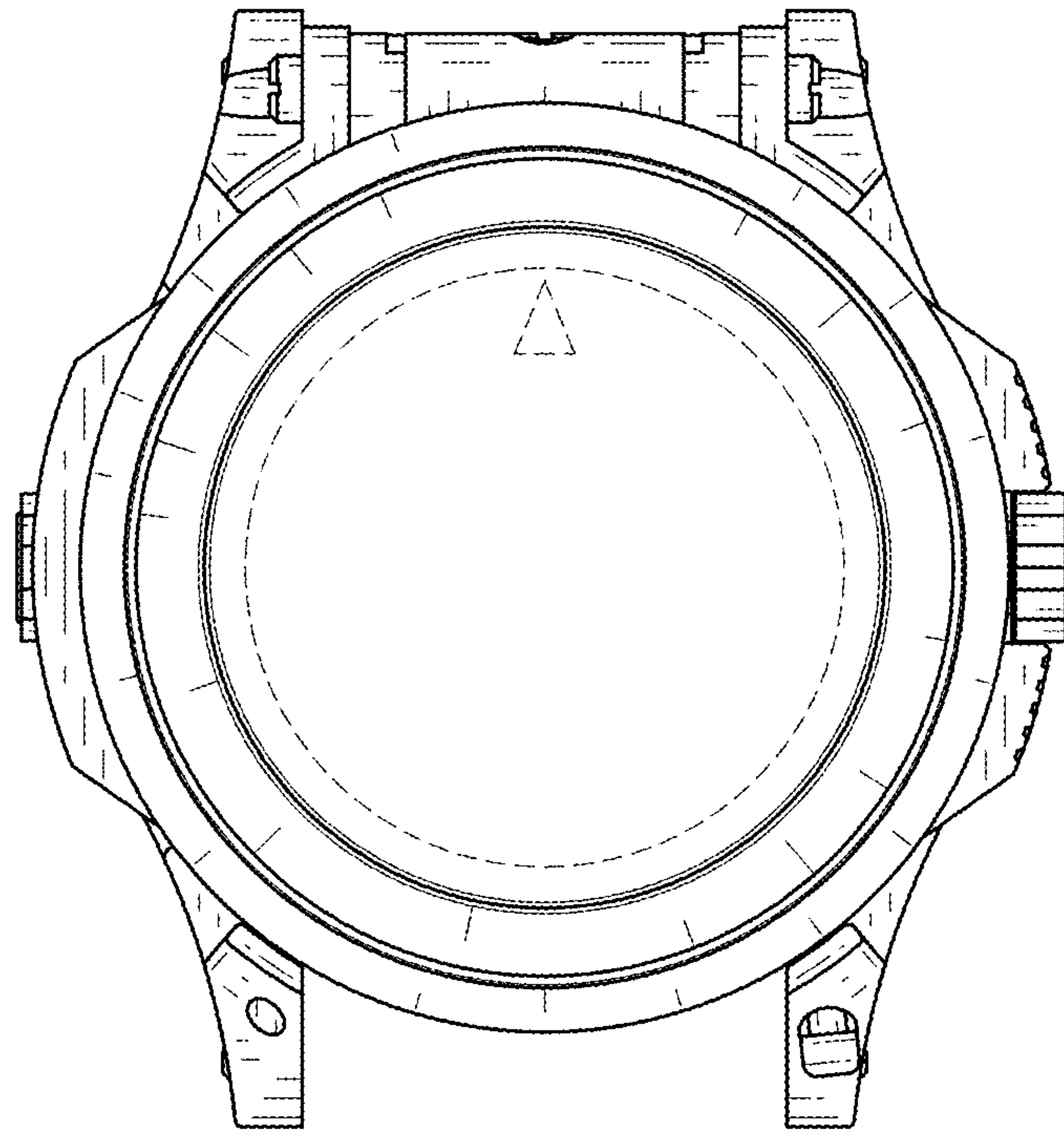


Fig. 2

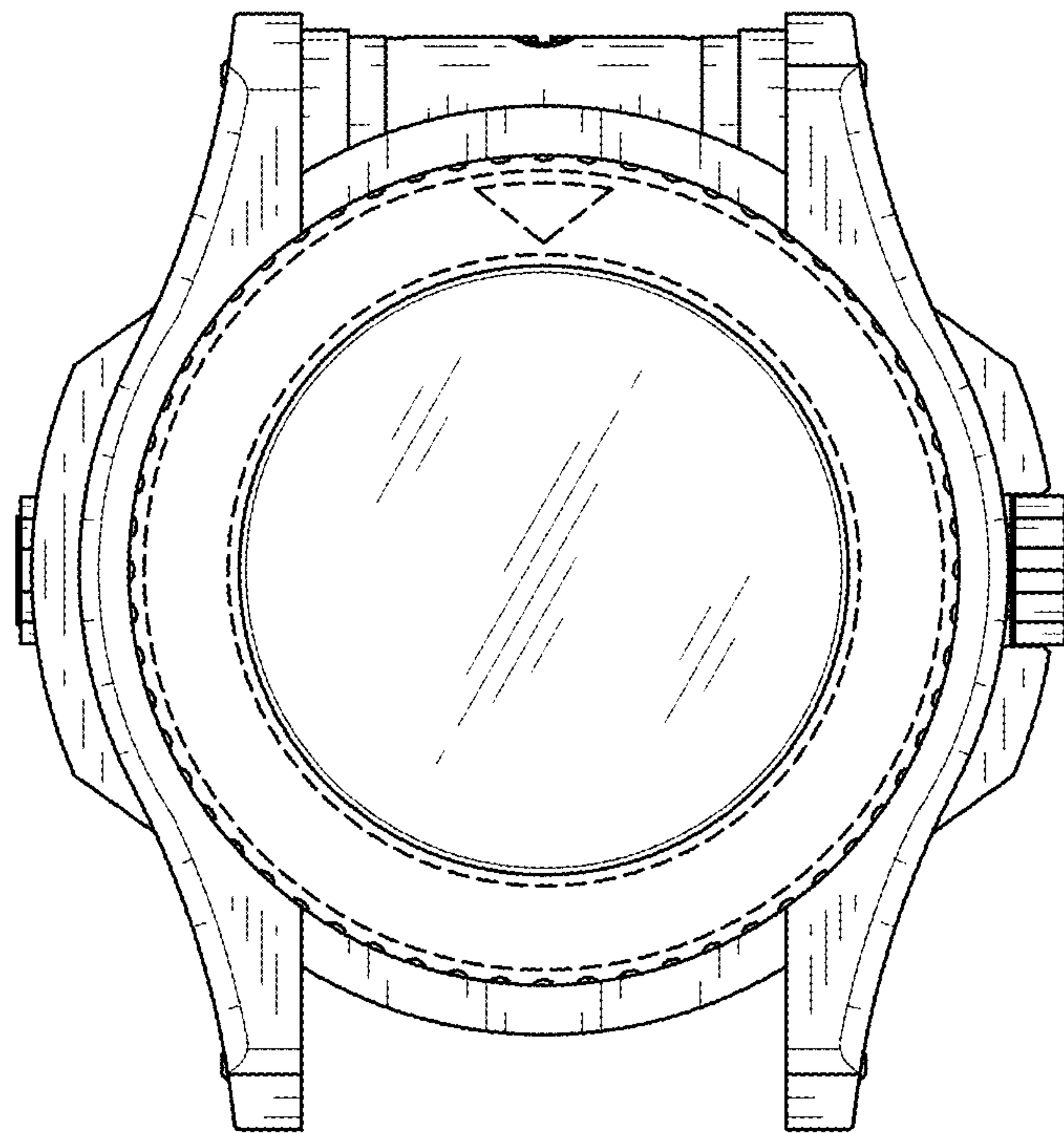


Fig. 3

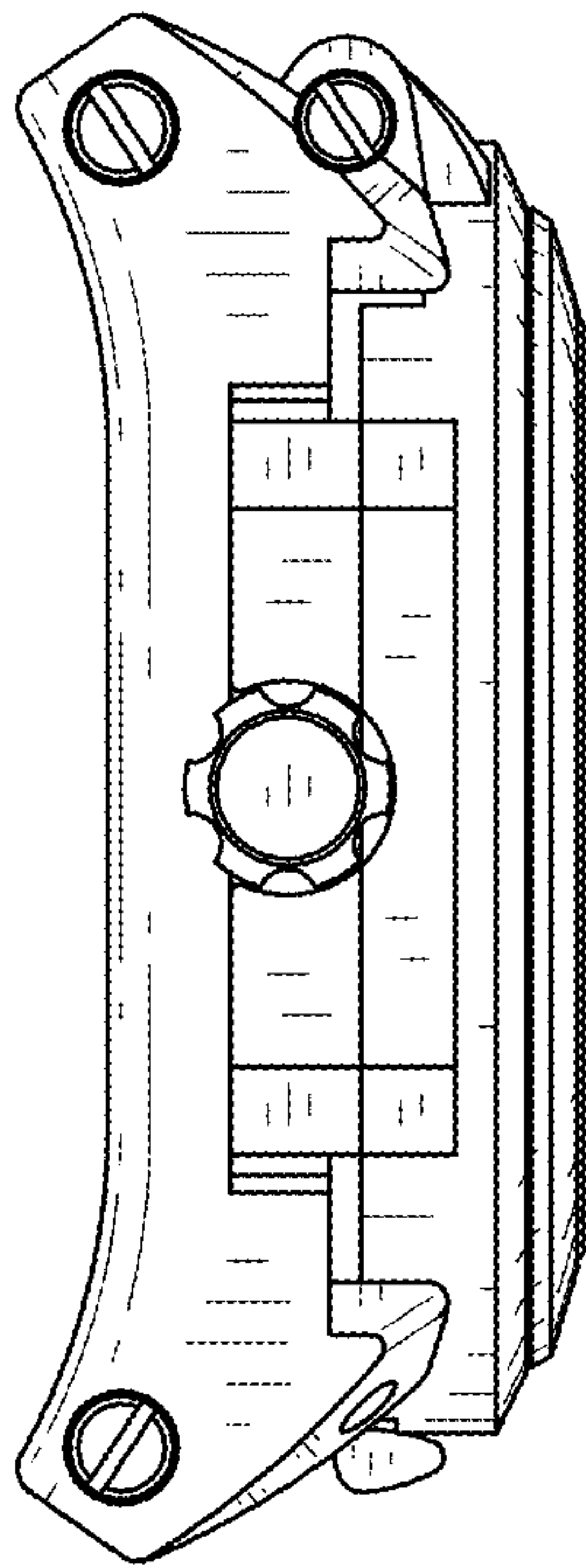


Fig. 4

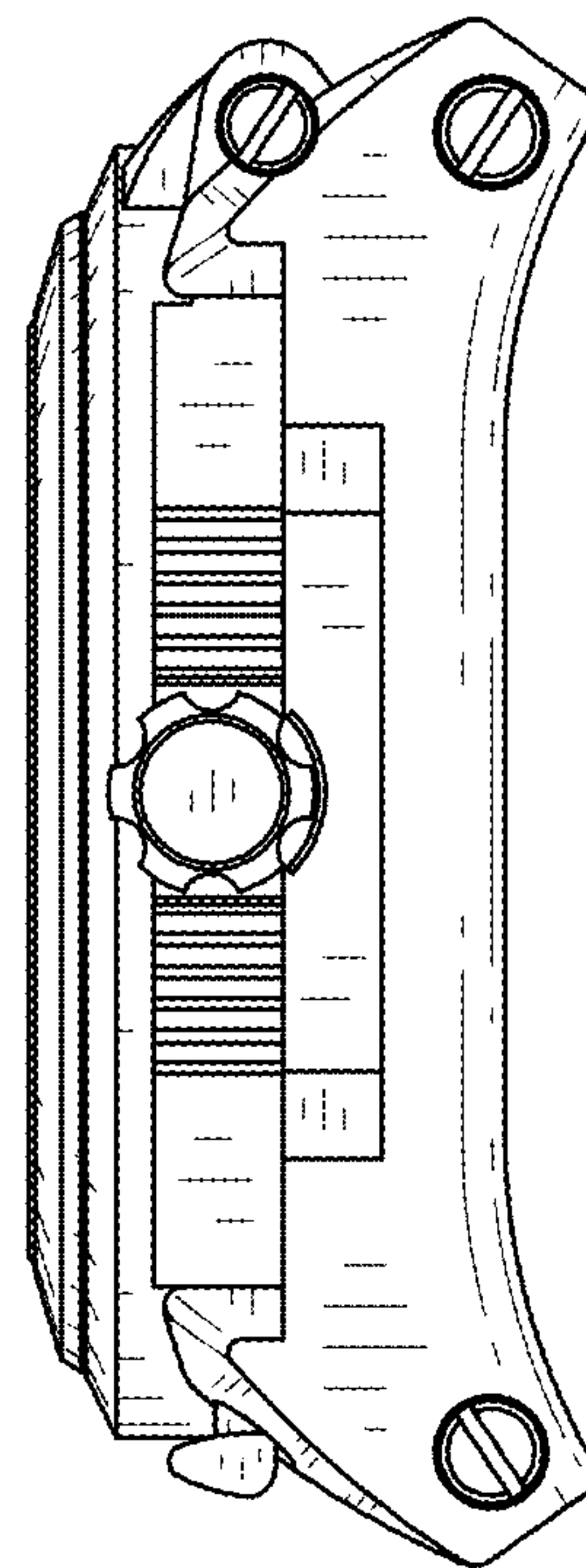


Fig. 5

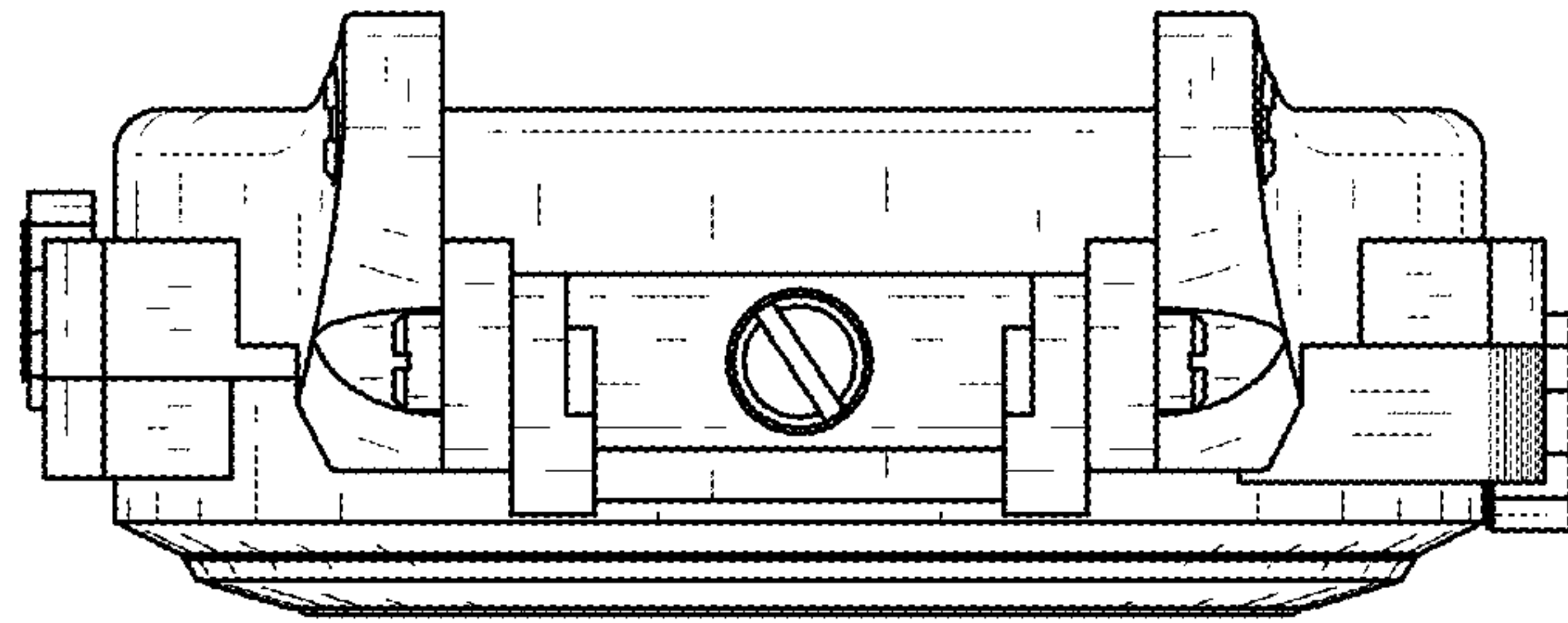


Fig. 6

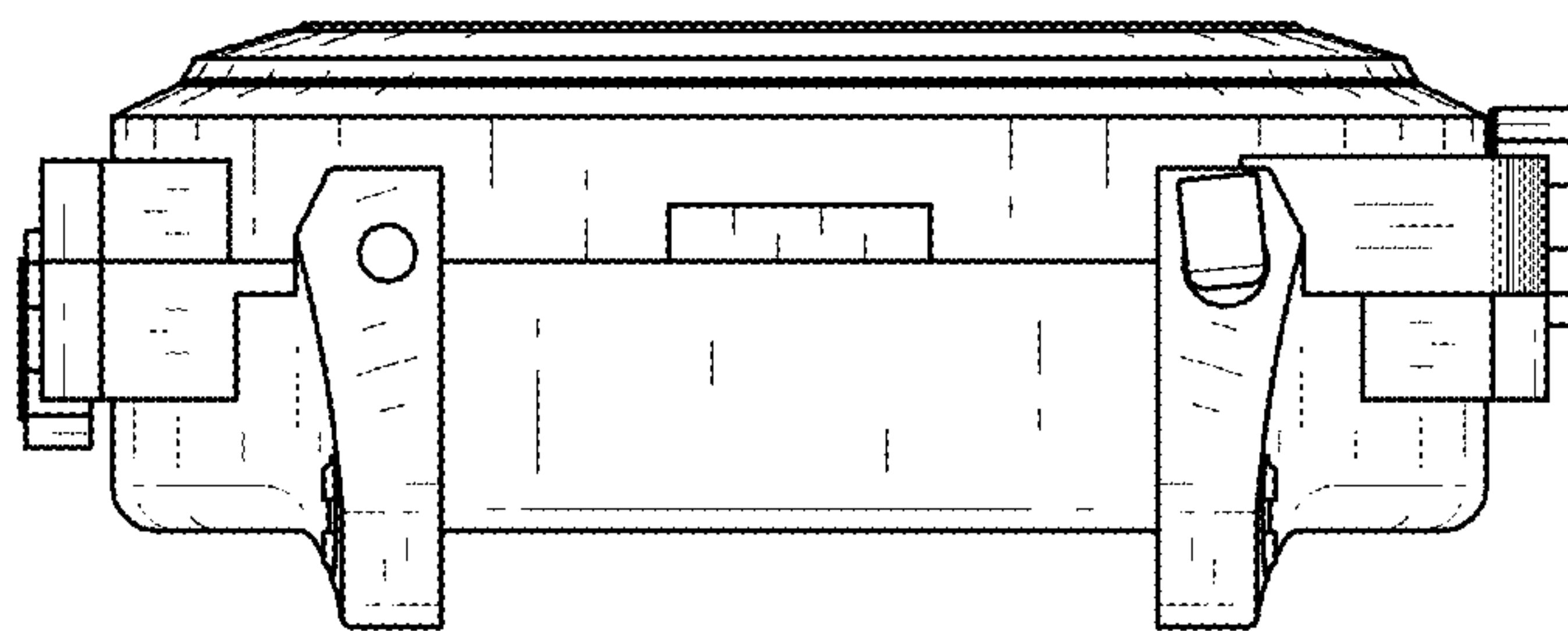


Fig. 7

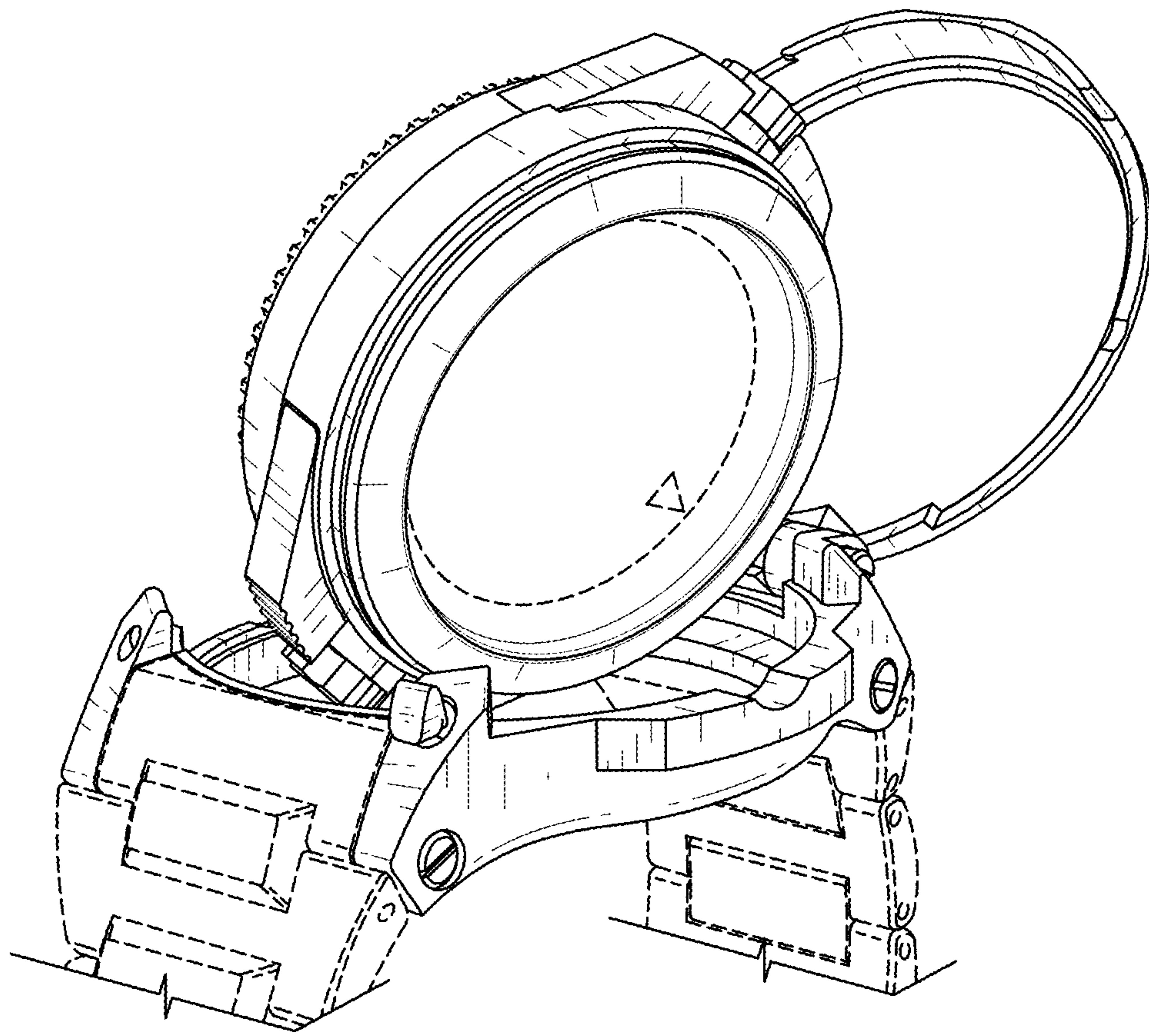


Fig. 8

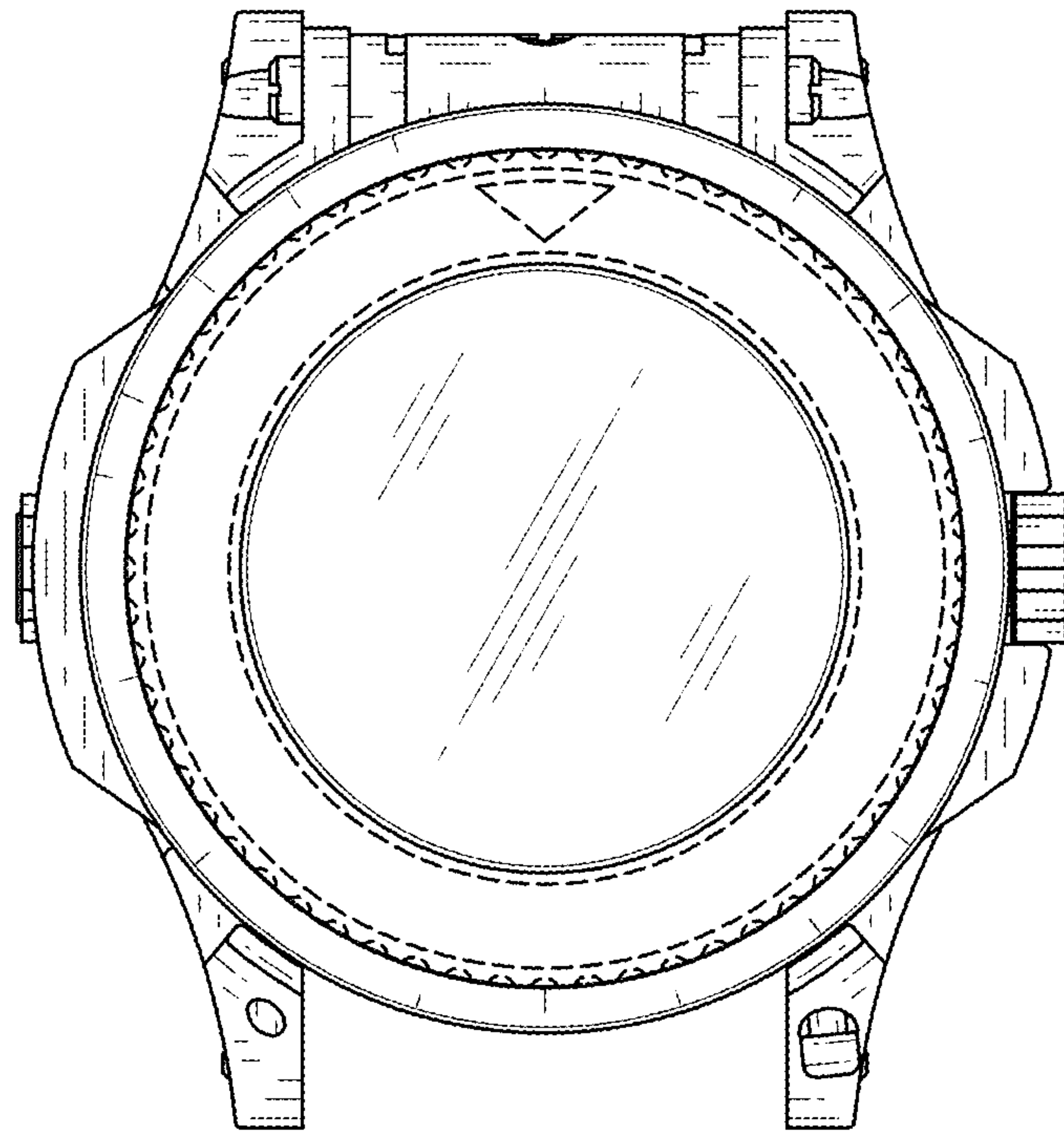


Fig. 9

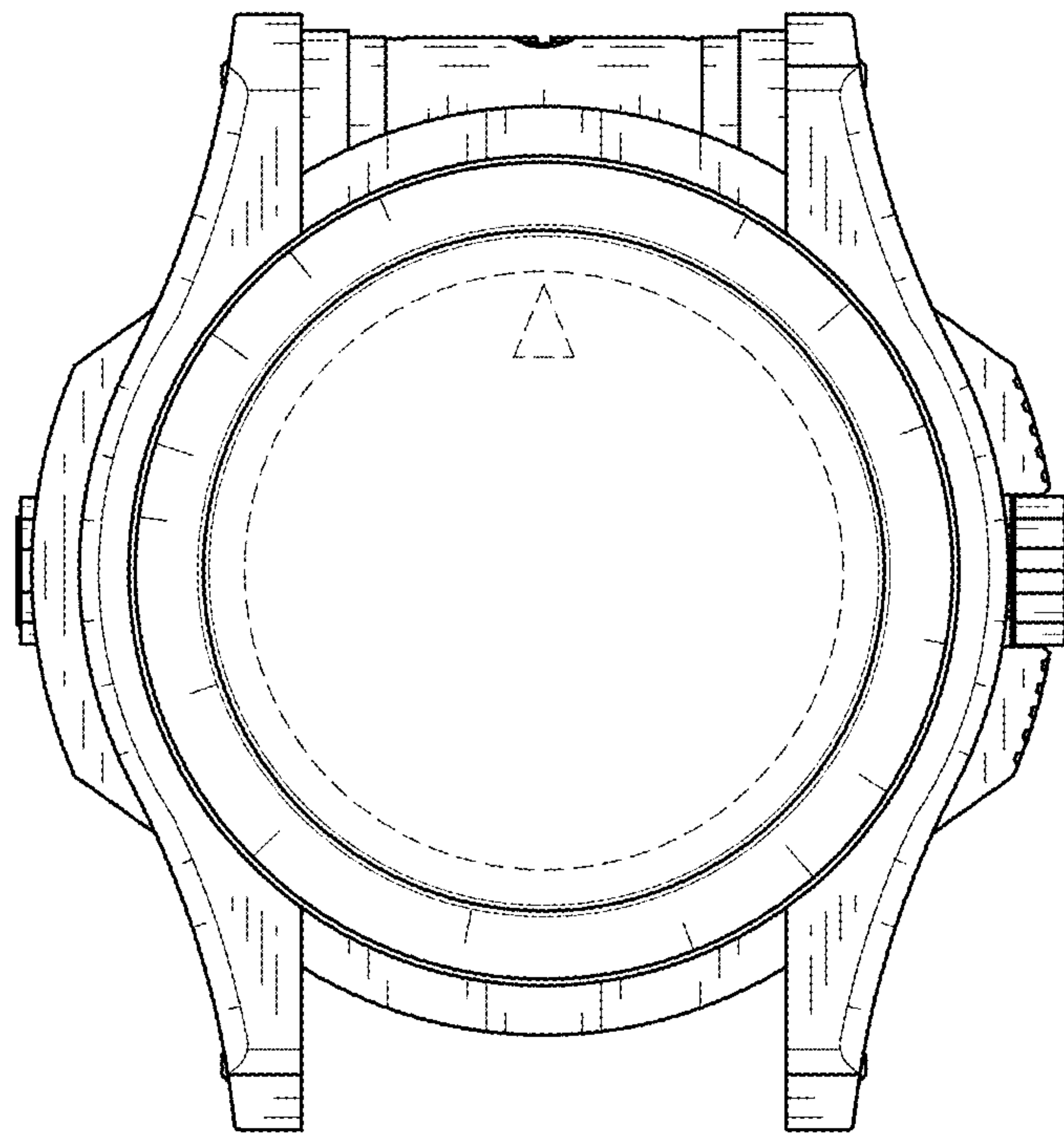


Fig. 10

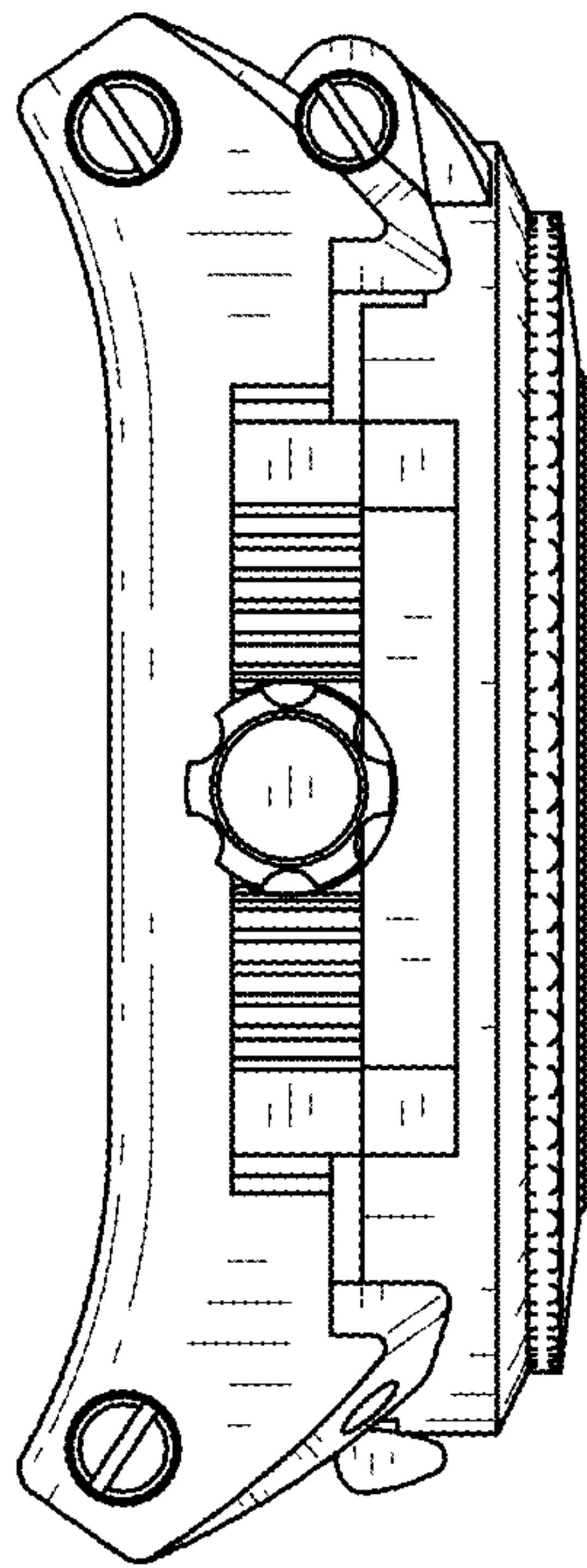


Fig. 11

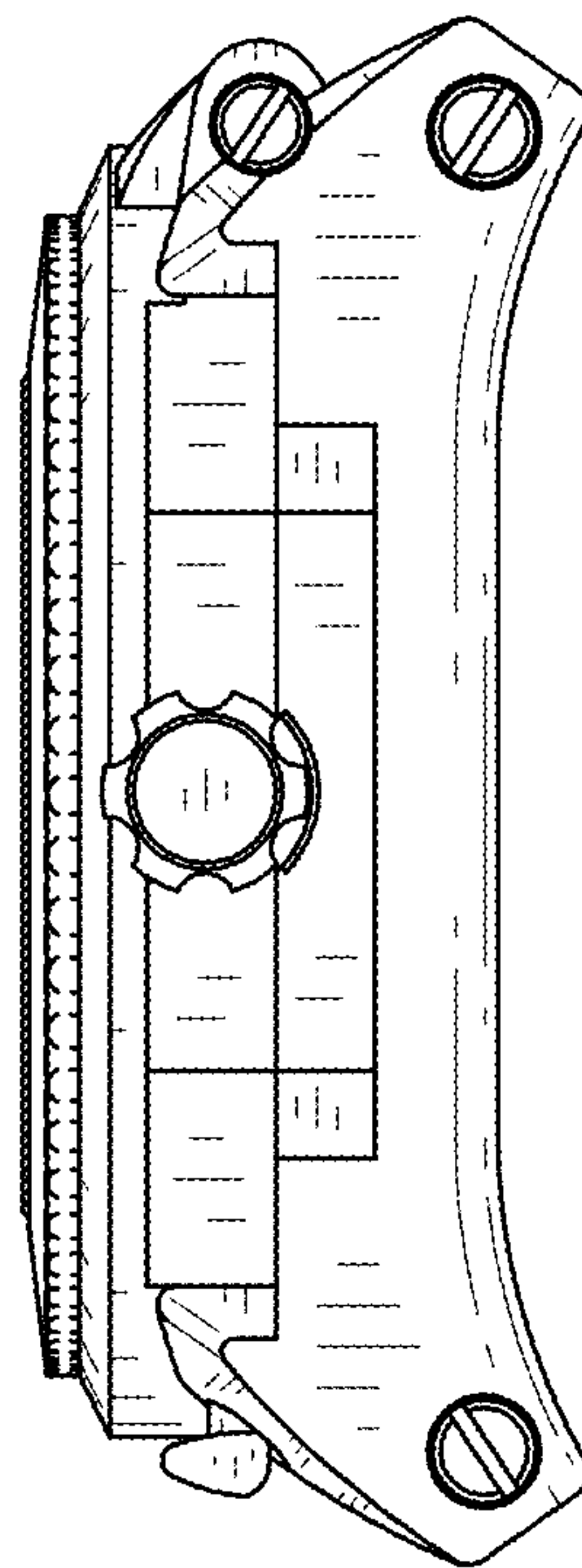


Fig. 12

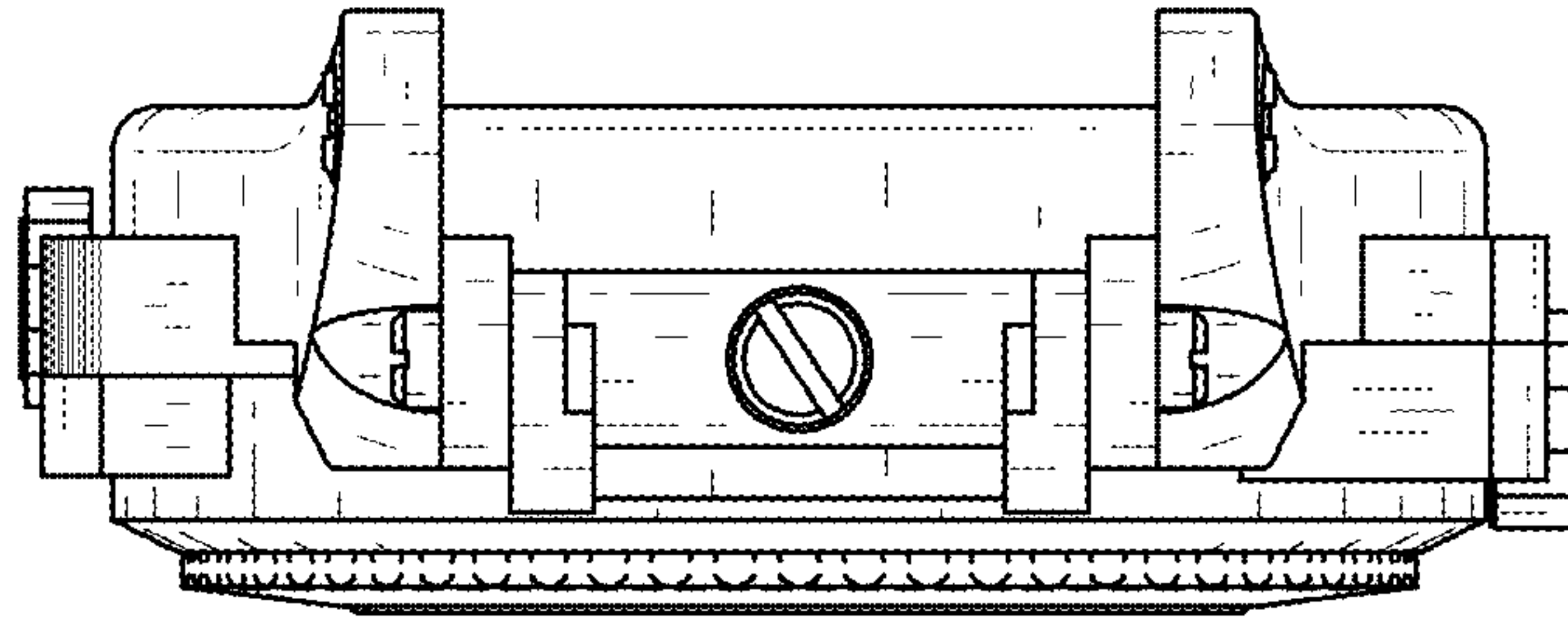


Fig. 13

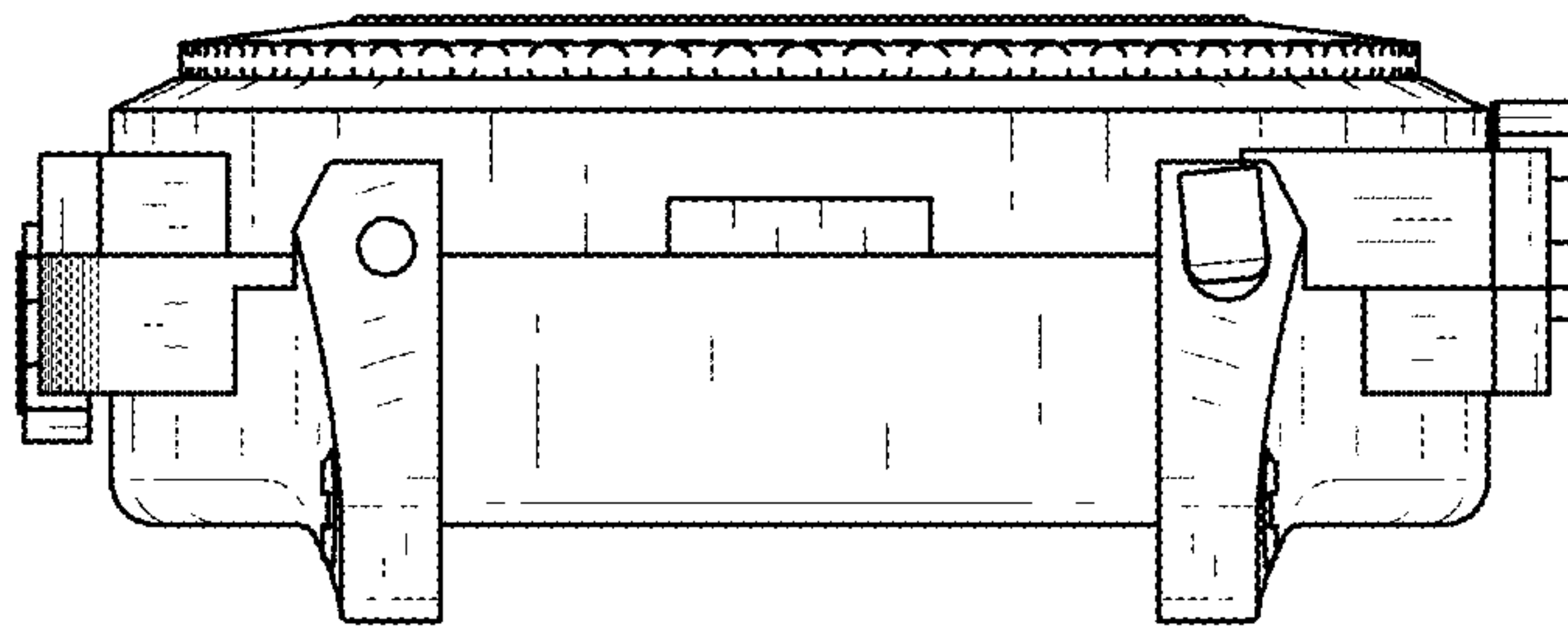


Fig. 14