



US00D884488S

(12) **United States Design Patent**
Nabeta et al.

(10) **Patent No.:** **US D884,488 S**

(45) **Date of Patent:** **** May 19, 2020**

- (54) **AEROSOL CAN BODY**
- (71) Applicant: **Daiwa Can Company**, Tokyo (JP)
- (72) Inventors: **Chiharu Nabeta**, Kanagawa (JP);
Hiroyuki Ohno, Kanagawa (JP)
- (73) Assignee: **Daiwa Can Company**, Tokyo (JP)
- (**) Term: **15 Years**
- (21) Appl. No.: **29/605,884**
- (22) Filed: **May 31, 2017**
- (51) **LOC (12) Cl.** **09-01**
- (52) **U.S. Cl.**
USPC **D9/775; D9/565**
- (58) **Field of Classification Search**
USPC D9/500, 502, 516, 530, 537, 539, 542,
D9/549, 763-783; D7/601, 602, 612,
D7/615, 630
CPC ... B65D 1/00; B65D 1/02; B65D 1/12; B65D
1/14; B65D 1/40; B65D 1/44; B65D
1/023; B65D 1/0223; B65D 1/165; B65D
1/238; B65D 1/246; B65D 1/253; B65D
7/04; B65D 21/0209; B65D 21/0233;
B65D 25/00; B65D 25/28; B65D
41/0457; B65D 41/17; B65D 53/06;
B65D 75/56; B65D 79/005; B65D
2501/0036; B65D 2543/00064; B65D
2543/00074; B65D 2543/00083; B65D
2543/00092; B65D 2543/00101; B65D
2543/00111
See application file for complete search history.

(56) **References Cited**
U.S. PATENT DOCUMENTS

D99,407 S *	4/1936	McManus	D9/764
D101,483 S *	10/1936	Mott	D9/537
D332,750 S *	1/1993	Moloney	D9/518

D346,745 S *	5/1994	Heynen	D9/518
D347,172 S *	5/1994	Heynen	D9/518
D353,337 S *	12/1994	Halasz	D9/551
D355,129 S *	2/1995	Gruodis	D9/775
D356,265 S *	3/1995	Moloney	D9/518
D420,284 S *	2/2000	Sagel	D9/428
D489,987 S *	5/2004	Ogata	D9/774
D489,988 S *	5/2004	Ogata	D9/773
D492,599 S *	7/2004	Enoki	D9/500
D492,601 S *	7/2004	Ogata et al.	D9/500
D499,613 S *	12/2004	Lowe	D7/606
D653,124 S *	1/2012	Diss	D9/776
D653,965 S *	2/2012	Kohara	D9/774
D701,464 S *	3/2014	Ogata	D9/772
D738,226 S *	9/2015	Kovaleski	D9/774
D742,251 S *	11/2015	Kaanta	D9/772
D758,207 S *	6/2016	Kaanta	D9/772
D779,275 S *	2/2017	Crosby	D7/523
D867,150 S *	11/2019	Yamaguchi	D9/556
D867,151 S *	11/2019	Yamaguchi	D9/556

(Continued)

Primary Examiner — Keli L Hill

(74) *Attorney, Agent, or Firm* — Fitch, Even, Tabin & Flannery LLP

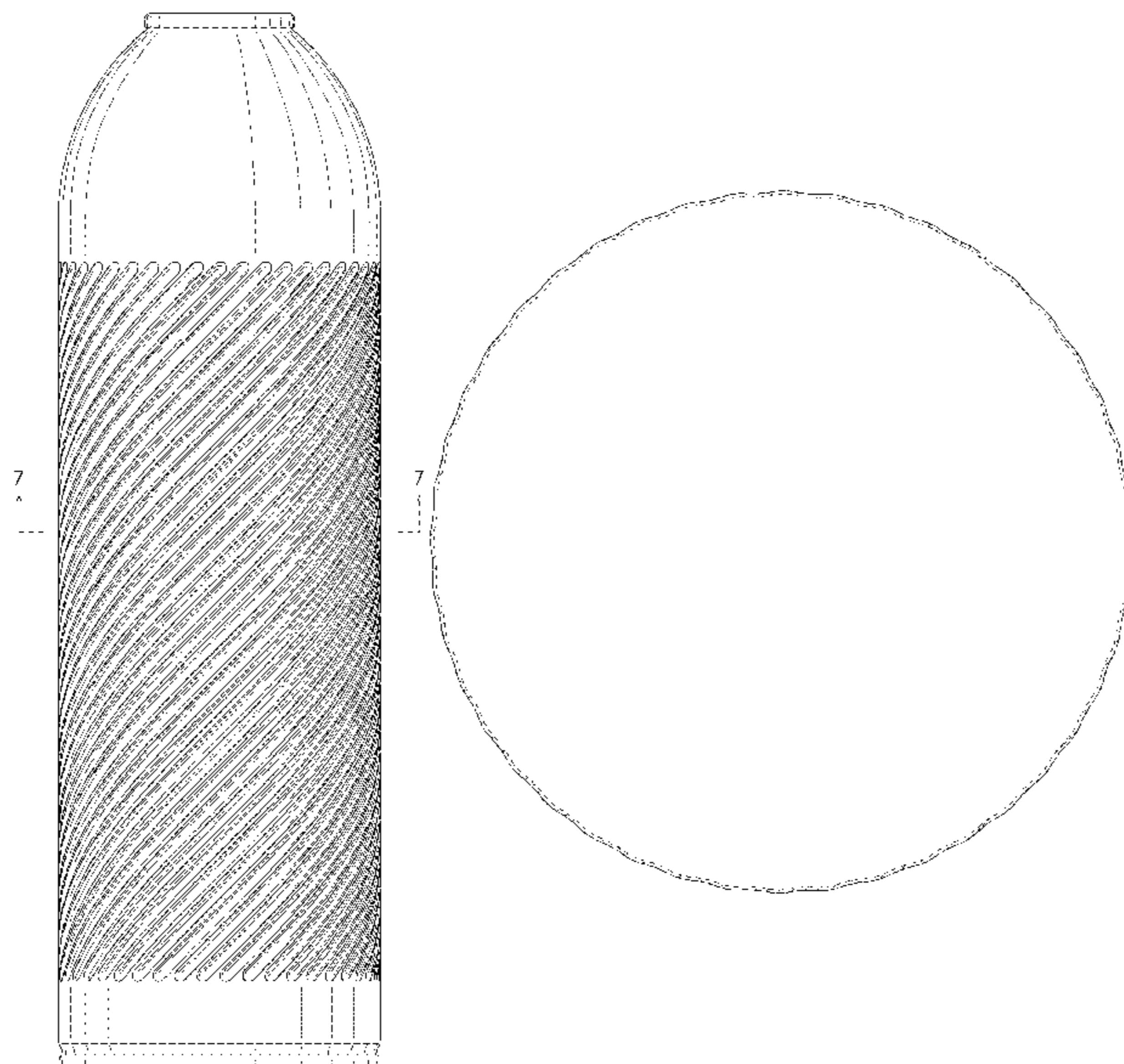
(57) **CLAIM**

We claim the ornamental design for an aerosol can body, as shown and described.

DESCRIPTION

FIG. 1 is a front view of an aerosol can body, showing our new design;
 FIG. 2 is a rear view thereof;
 FIG. 3 is a top view thereof;
 FIG. 4 is a bottom view thereof;
 FIG. 5 is a left side view thereof;
 FIG. 6 is a right side view thereof; and,
 FIG. 7 is an enlarged cross-sectional view thereof, taken along the line 7-7 in FIG. 1.
 The broken lines represent unclaimed portions of the aerosol can body and form no part of the claimed design.

1 Claim, 6 Drawing Sheets



(56)

References Cited

U.S. PATENT DOCUMENTS

D867,891 S * 11/2019 Yamaguchi D9/556
D868,588 S * 12/2019 Walbroel D9/552

* cited by examiner

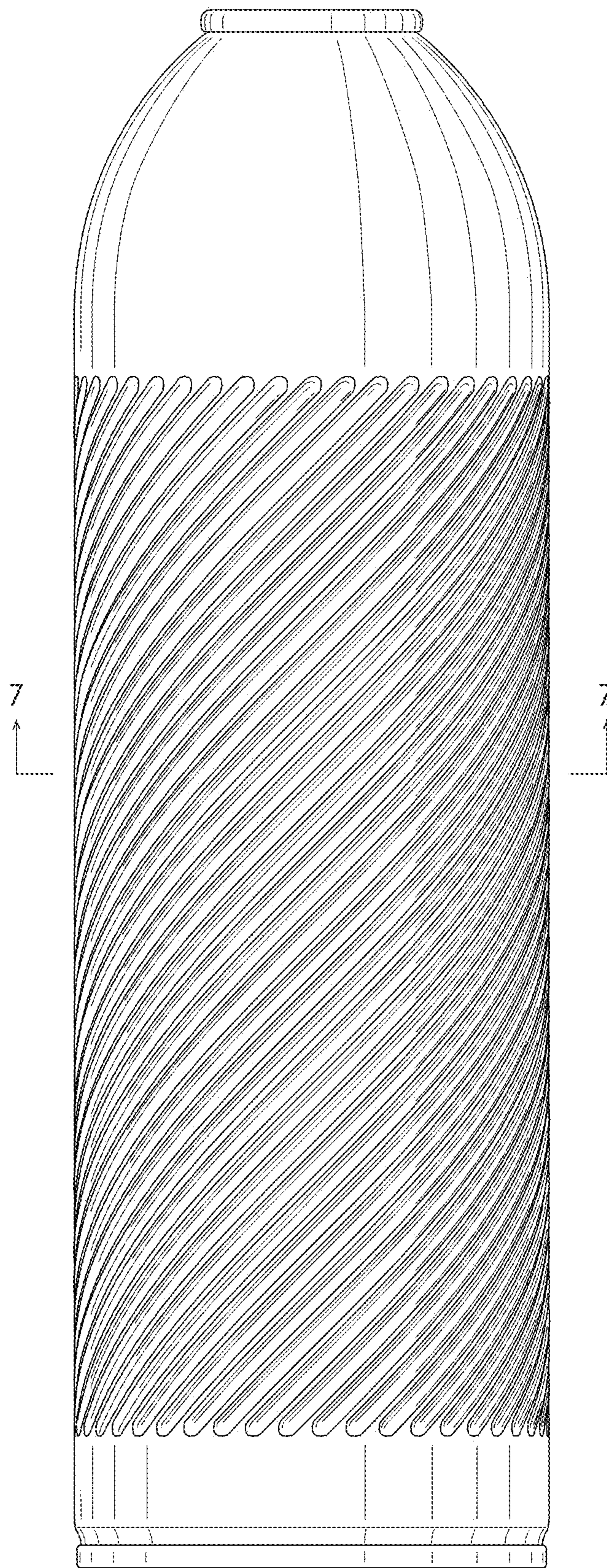


Fig. 1

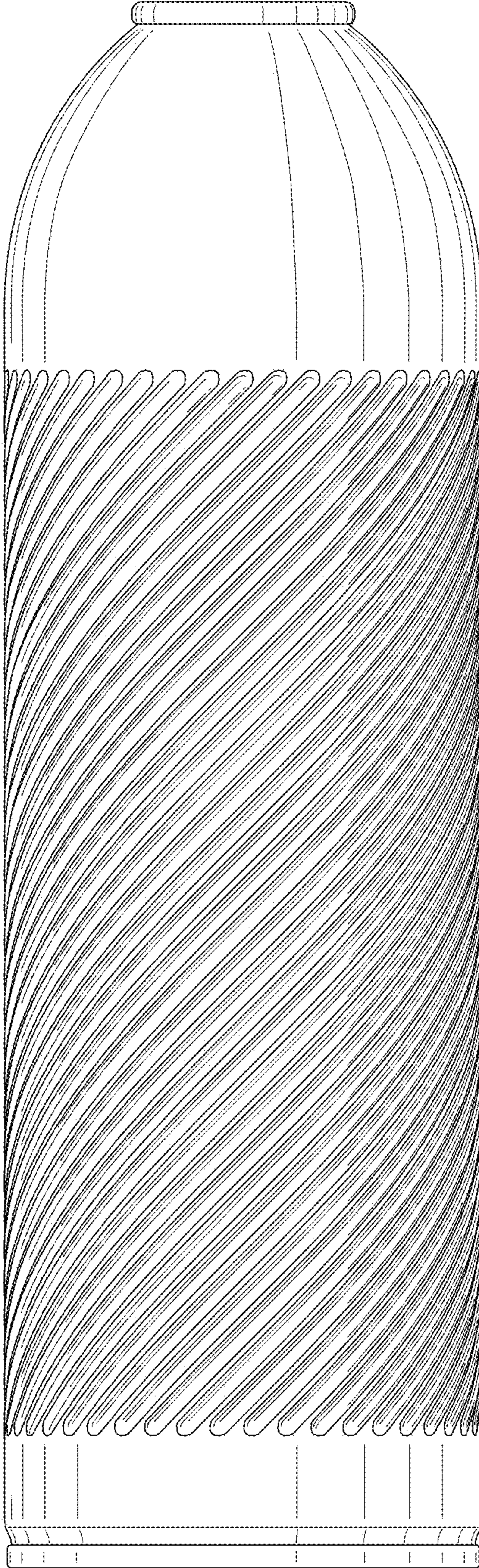


Fig. 2

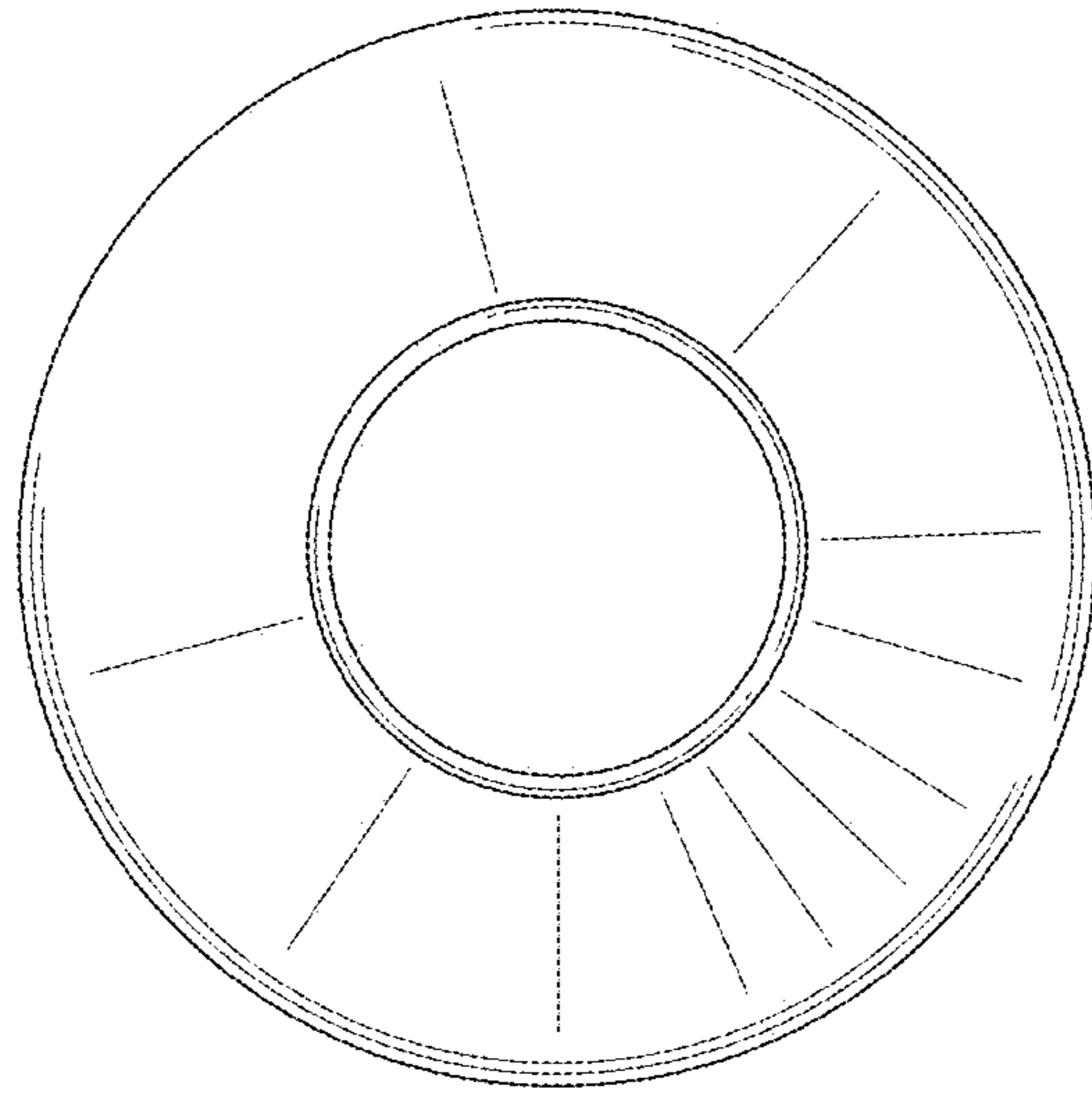


Fig. 3

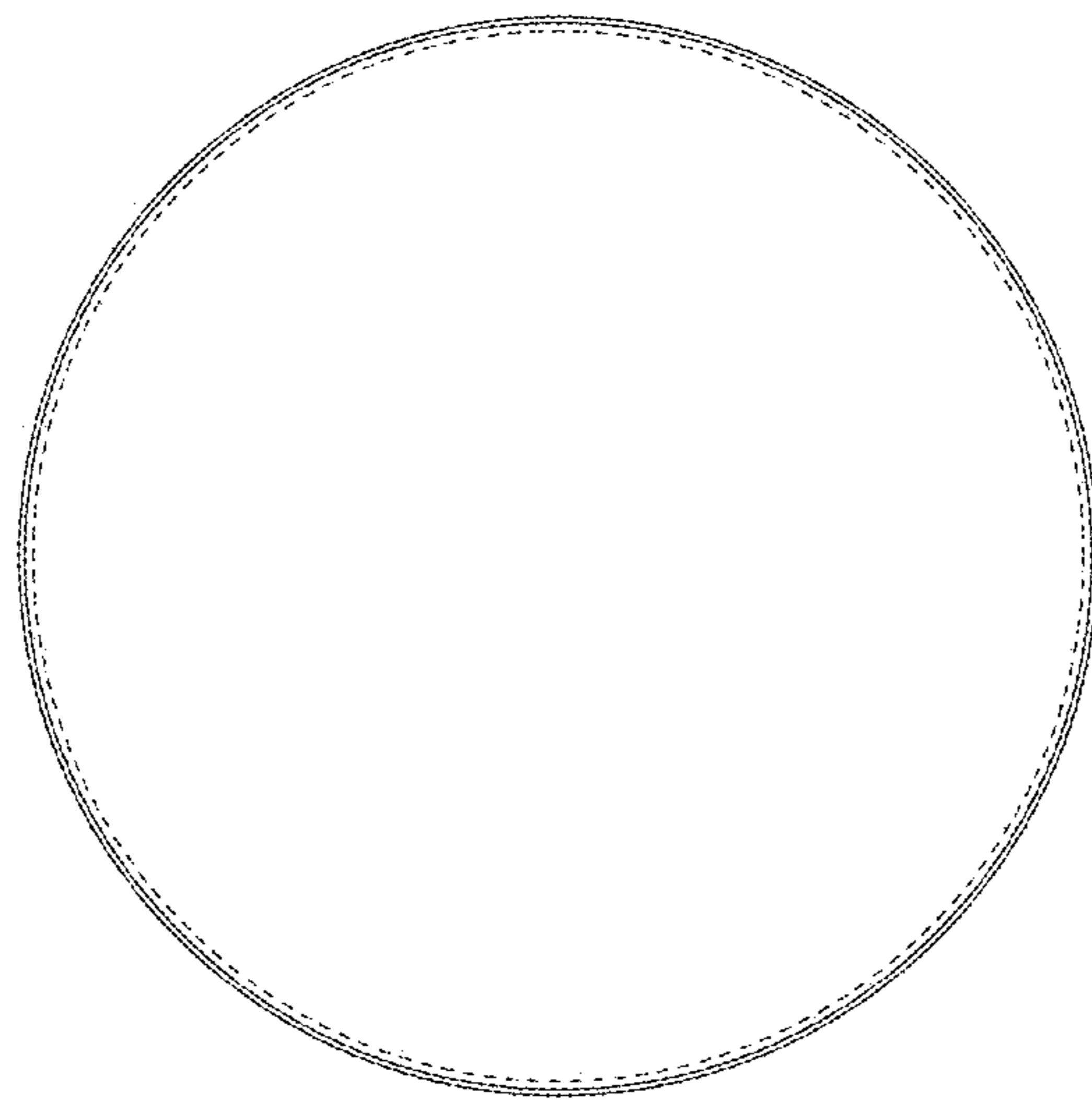


Fig. 4

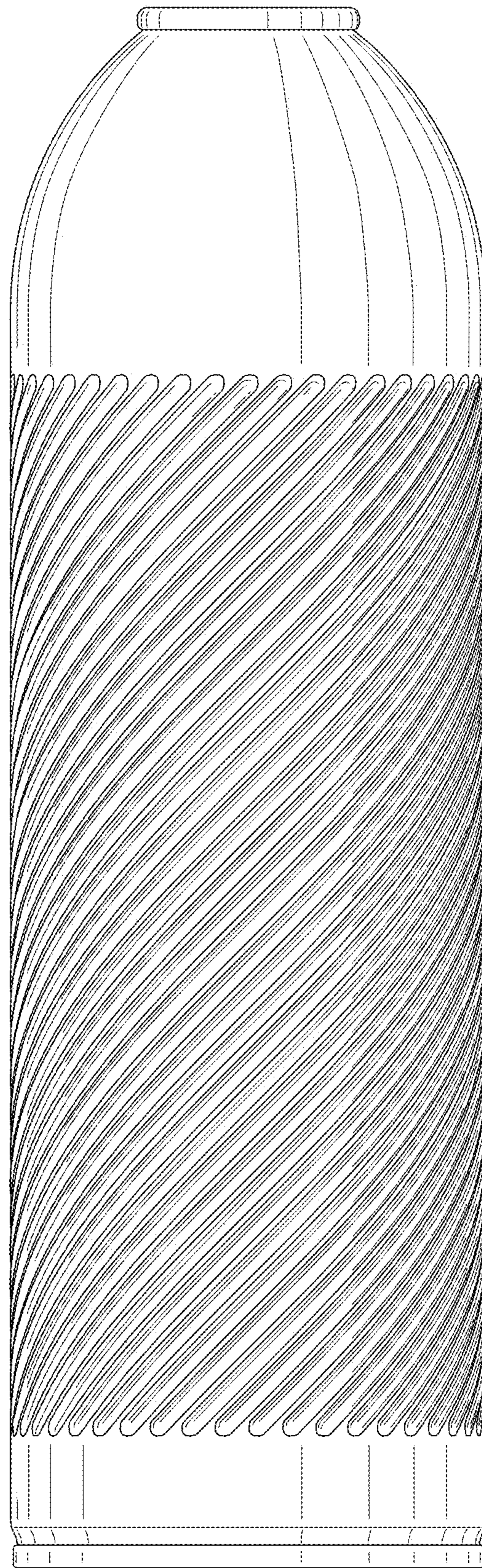


Fig. 5

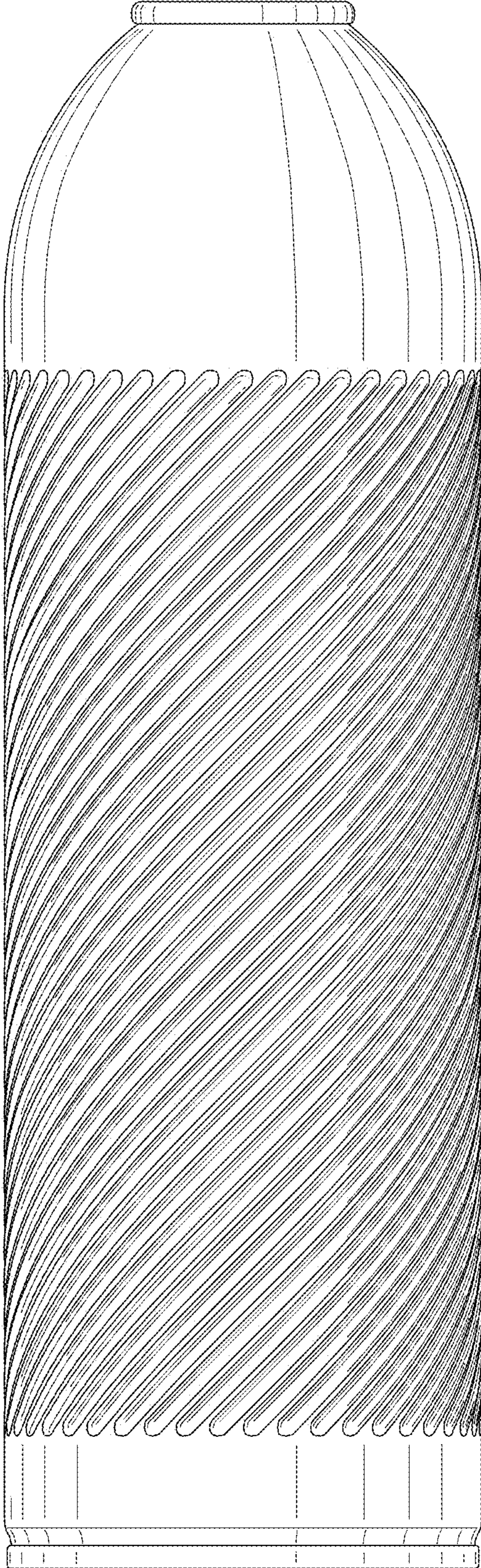


Fig. 6

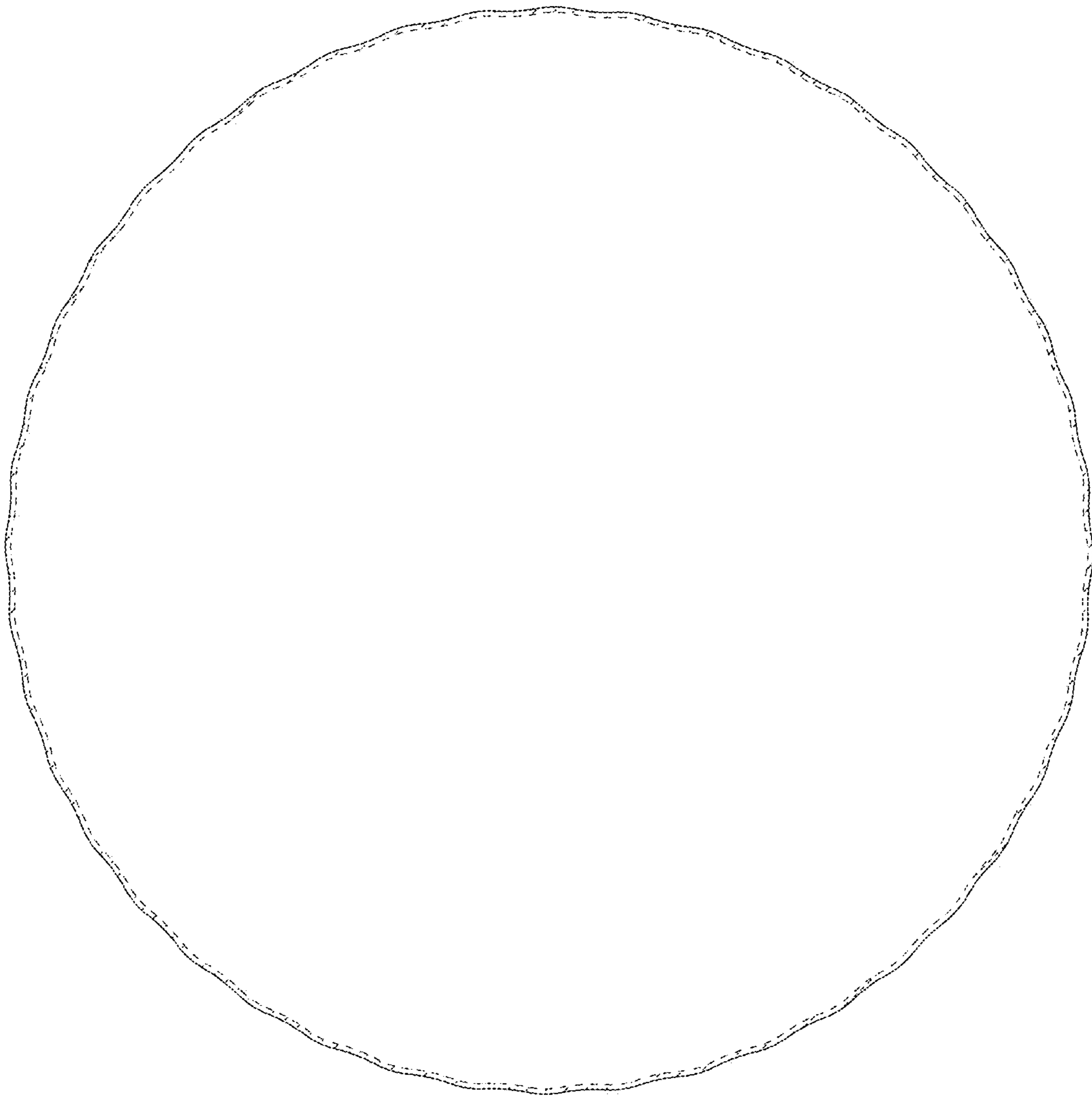


Fig. 7