

US00D884487S

(12) **United States Design Patent** (10) **Patent No.:** **US D884,487 S**
Lin (45) **Date of Patent:** **** May 19, 2020**

(54) **FURNITURE ITEM WITH ORNAMENTAL SURFACE**

(71) Applicant: **Dongguan Shichang Metals Factory Ltd., Dongguan (CN)**

(72) Inventor: **Chen-Kang Lin, Kaohsiung (TW)**

(73) Assignee: **Dongguan Shichang Metals Factory Ltd., Dongguan (CN)**

(**) Term: **15 Years**

(21) Appl. No.: **29/640,679**

(22) Filed: **Mar. 16, 2018**

(51) **LOC (12) Cl.** **09-03**

(52) **U.S. Cl.**
USPC **D9/757; D6/692**

(58) **Field of Classification Search**
USPC D5/53, 58, 63, 99; D6/369, 668, 672, D6/677, 685, 686, 687, 689, 692, D6/692.1-692.6, 696, 698, 702, 703.1, D6/707.18, 707.2, 708, 708.15, 708.17, D6/708.2, 708.23; D9/424, 434, 456, D9/756, 757, 758, 759, 760; D25/106, D25/109, 115, 117, 136, 148, 157, 158
CPC A47B 7/00; A47B 11/00; A47B 13/12; A47B 3/08; A47B 3/0803; A47B 49/004; A47B 13/023; A47B 2013/024; A47B 2013/025; A47B 2013/026; A47B 2013/027; A47B 13/086; B29C 49/0031
See application file for complete search history.

(56) **References Cited**

U.S. PATENT DOCUMENTS

2,990,094 A * 6/1961 Reifers B65D 85/324
206/521.1
D198,145 S * 5/1964 Randall D9/456
D198,146 S * 5/1964 Randall D9/456
D305,405 S * 1/1990 Wilkinson D9/424
D438,792 S * 3/2001 Pero D9/715
D447,684 S * 9/2001 Hogman D9/757

D465,417 S * 11/2002 Apps D9/456
D514,452 S * 2/2006 Enriquez D9/759
D606,415 S * 12/2009 Lavigne D9/434
D632,977 S * 2/2011 Dijkstra D9/757
D735,585 S * 8/2015 Tayara D9/757
D851,502 S * 6/2019 Tayara D9/762
2006/0230989 A1 10/2006 Haney et al.

(Continued)

FOREIGN PATENT DOCUMENTS

WO 2014186921 A1 11/2014

OTHER PUBLICATIONS

Extended European Search Report for EP App. No. 19163365.0, dated Jul. 5, 2019, 9 pages.

Primary Examiner — Mary Ann Calabrese

Assistant Examiner — Catherine Ho

(74) *Attorney, Agent, or Firm* — Luedeka Neely Group, P.C.

(57) **CLAIM**

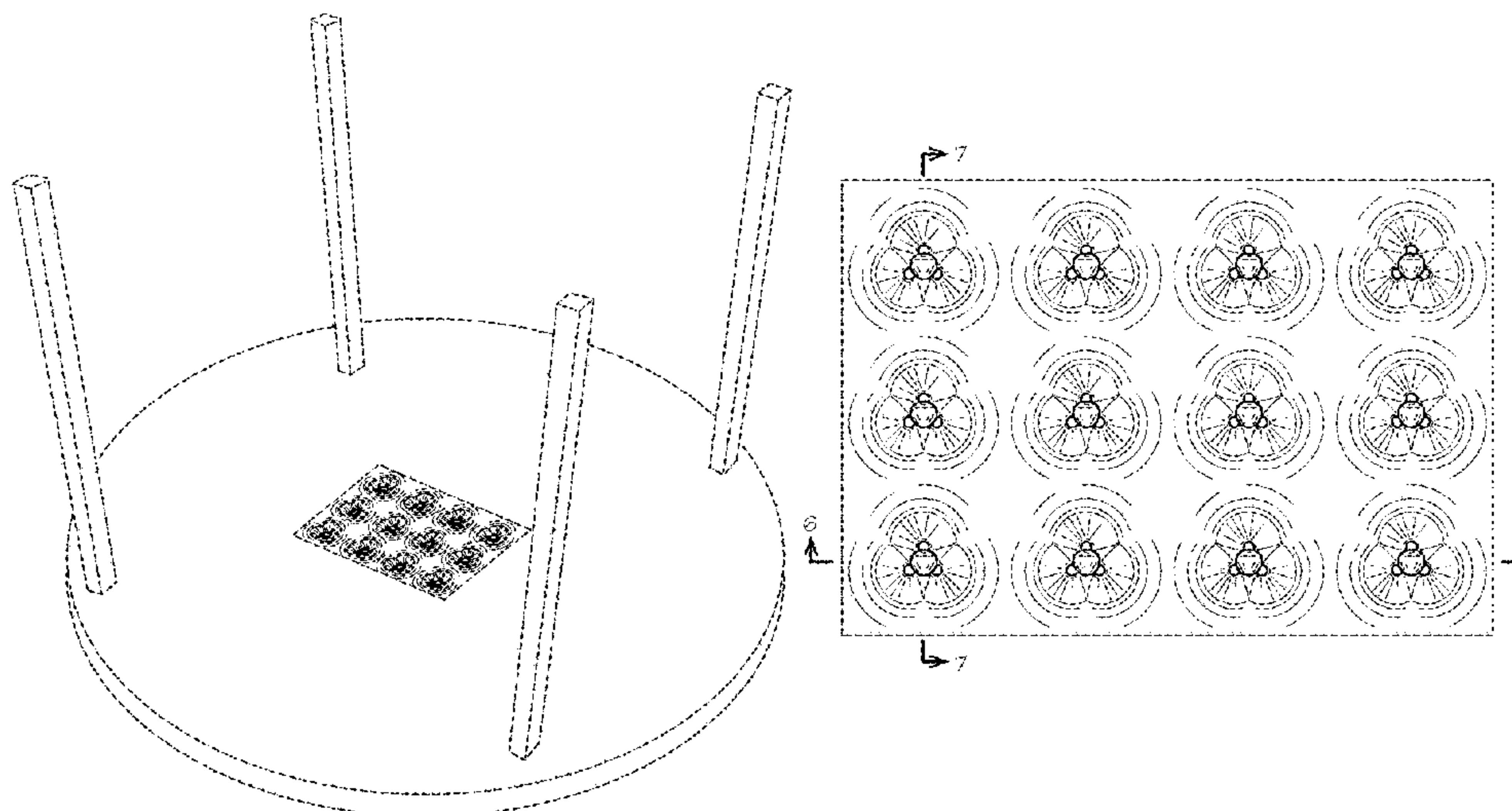
I claim the design for a furniture item with ornamental surface, as shown and described.

DESCRIPTION

FIG. 1 is a first perspective view of a furniture item with ornamental surface, showing our new design; FIG. 2 is a second perspective view thereof; FIG. 3 is a third perspective view thereof; FIG. 4 is a plan view thereof; FIG. 5 is an enlarged detailed view of FIG. 4; FIG. 6 is a cross sectional view taken in a the direction of section 6-6 of FIG. 5; and, FIG. 7 is a cross sectional view taken in the direction of section 7-7 of FIG. 5.

The broken lines in the drawings are included for the purpose of illustrating unclaimed features and form no part of the claimed design.

1 Claim, 5 Drawing Sheets



(56)

References Cited

U.S. PATENT DOCUMENTS

2010/0000448 A1 1/2010 Lin et al.
2011/0303355 A1 12/2011 Sumi et al.
2017/0238698 A1 8/2017 Nye et al.
2019/0281983 A1* 9/2019 Lin A47B 13/08

* cited by examiner

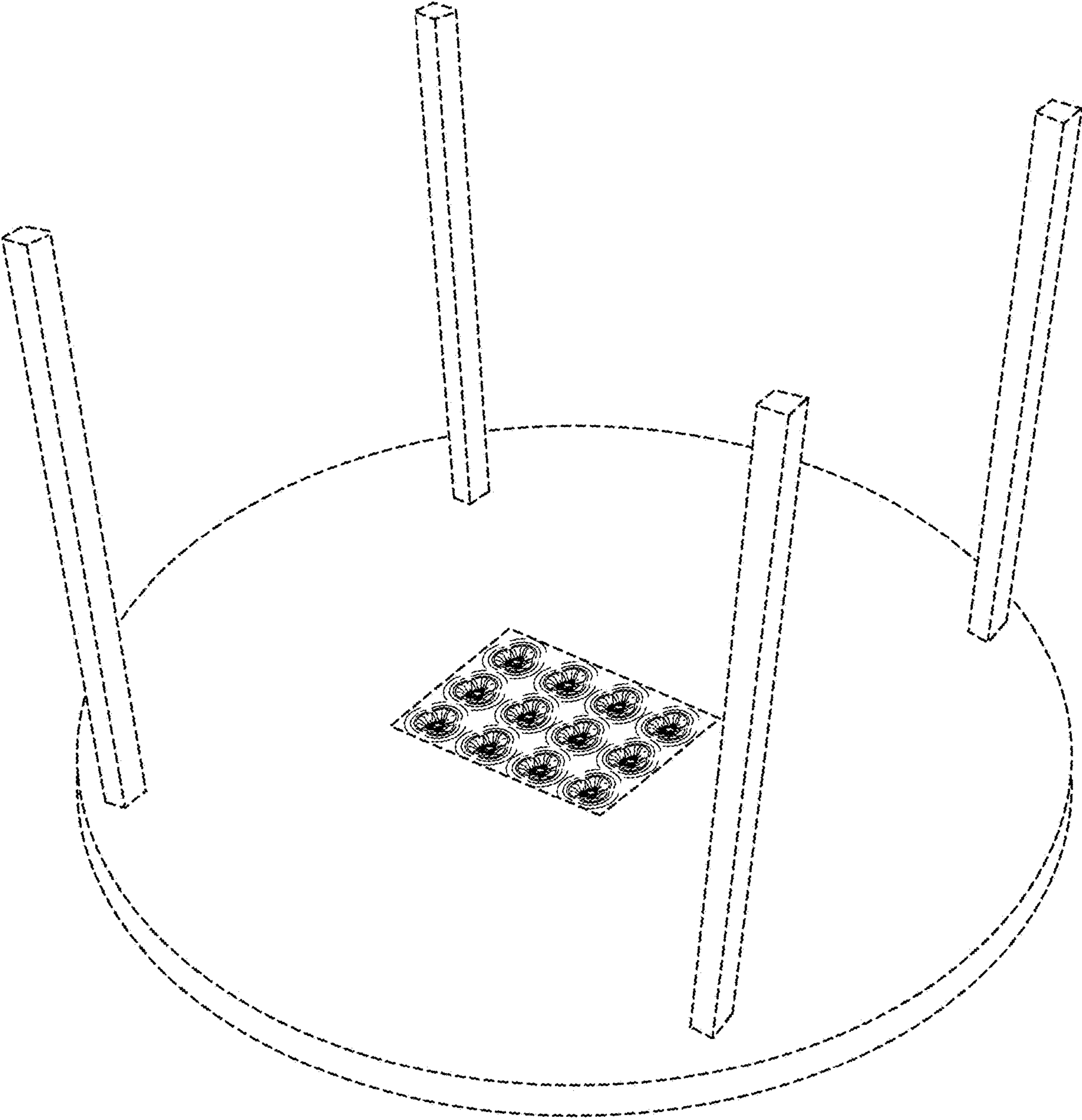


FIG. 1

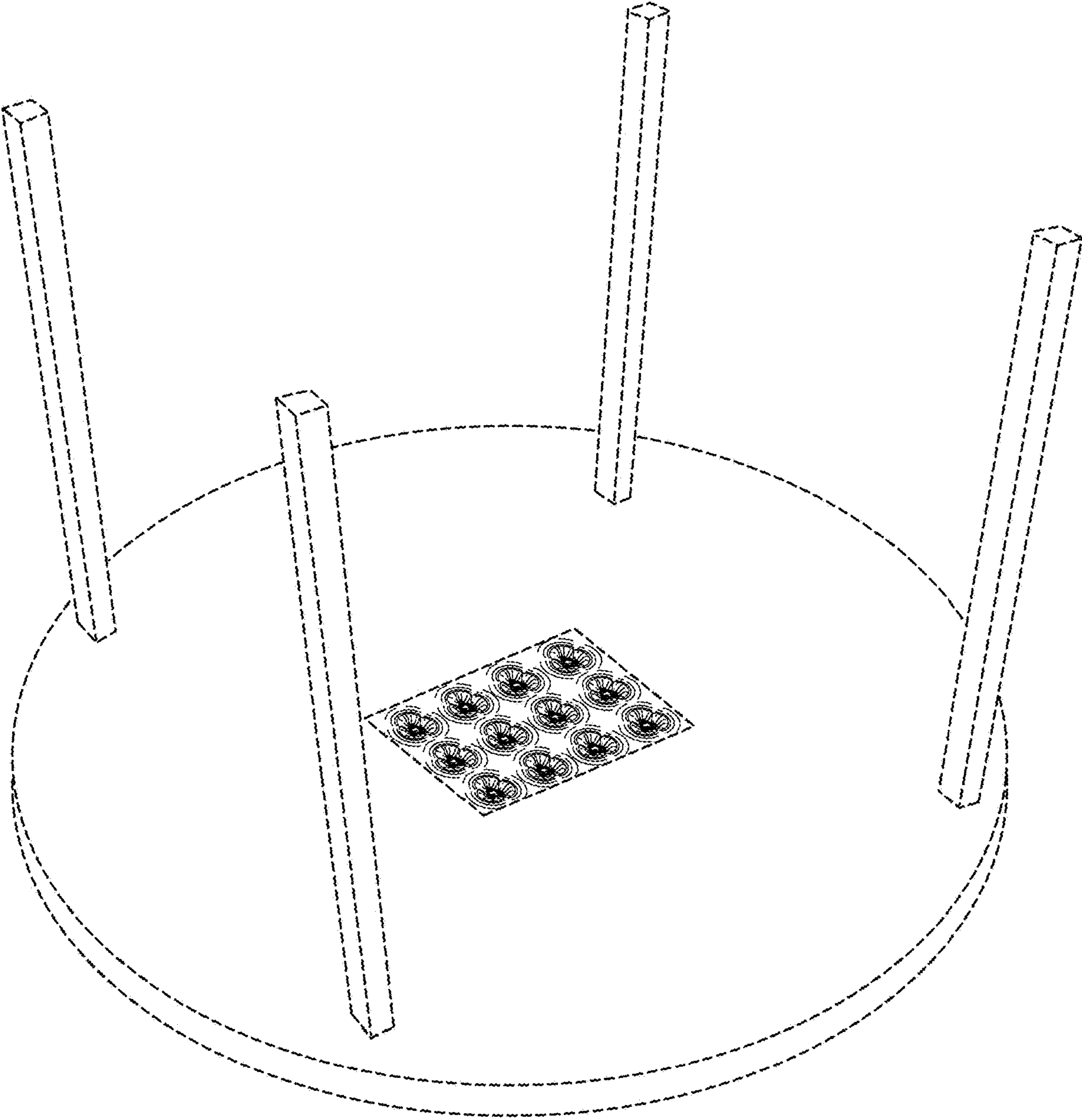


FIG. 2

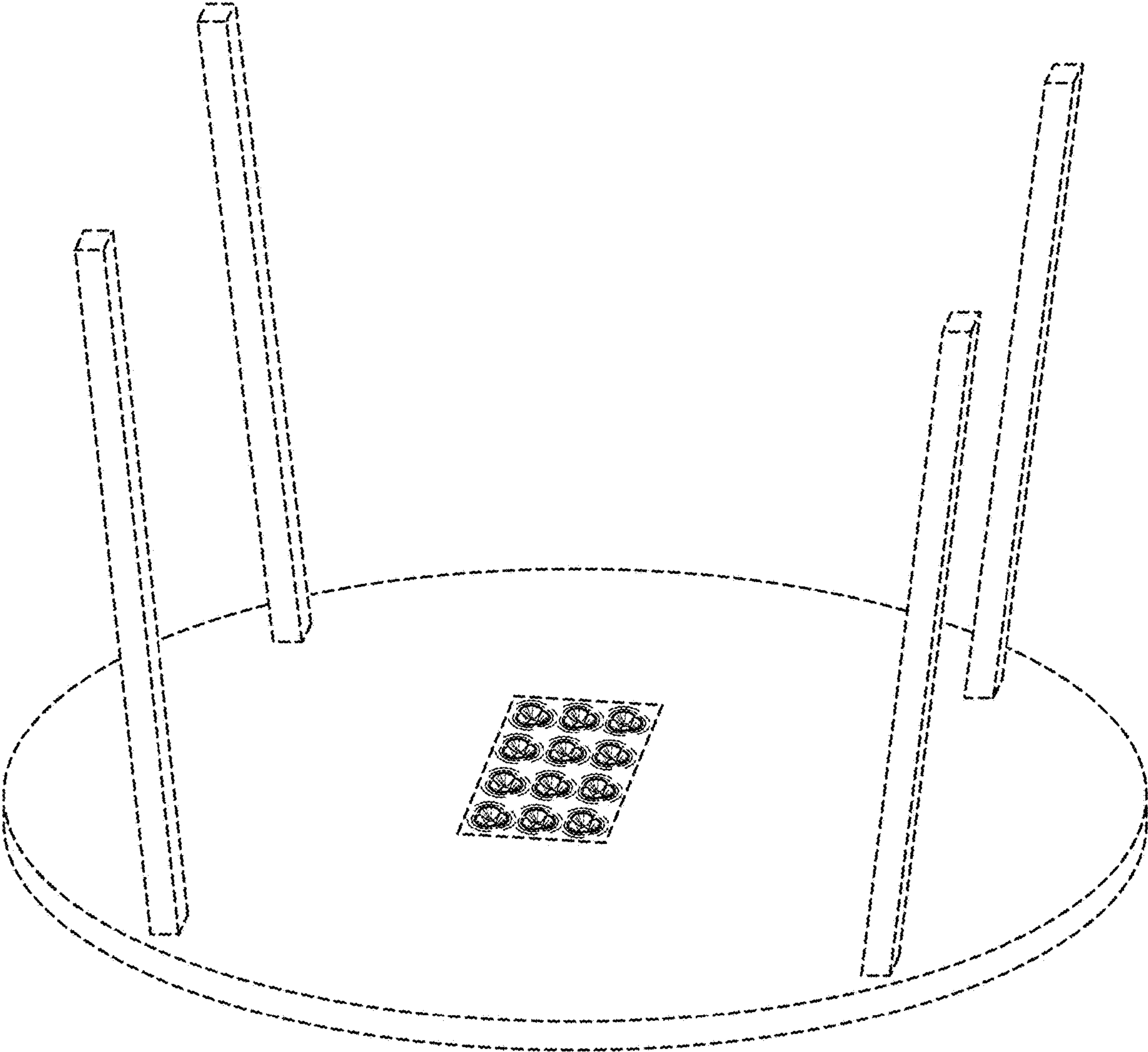


FIG. 3

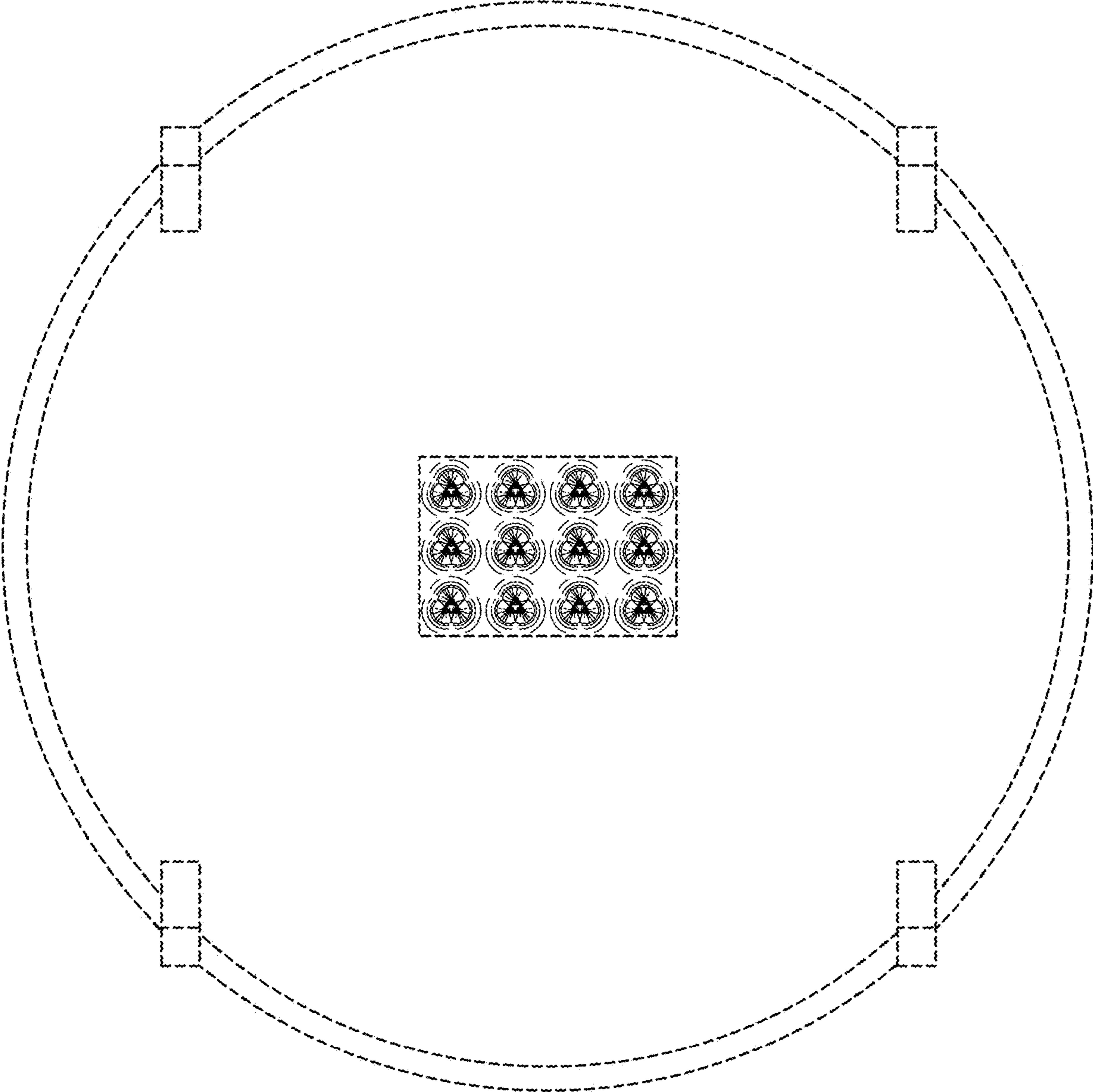


FIG. 4

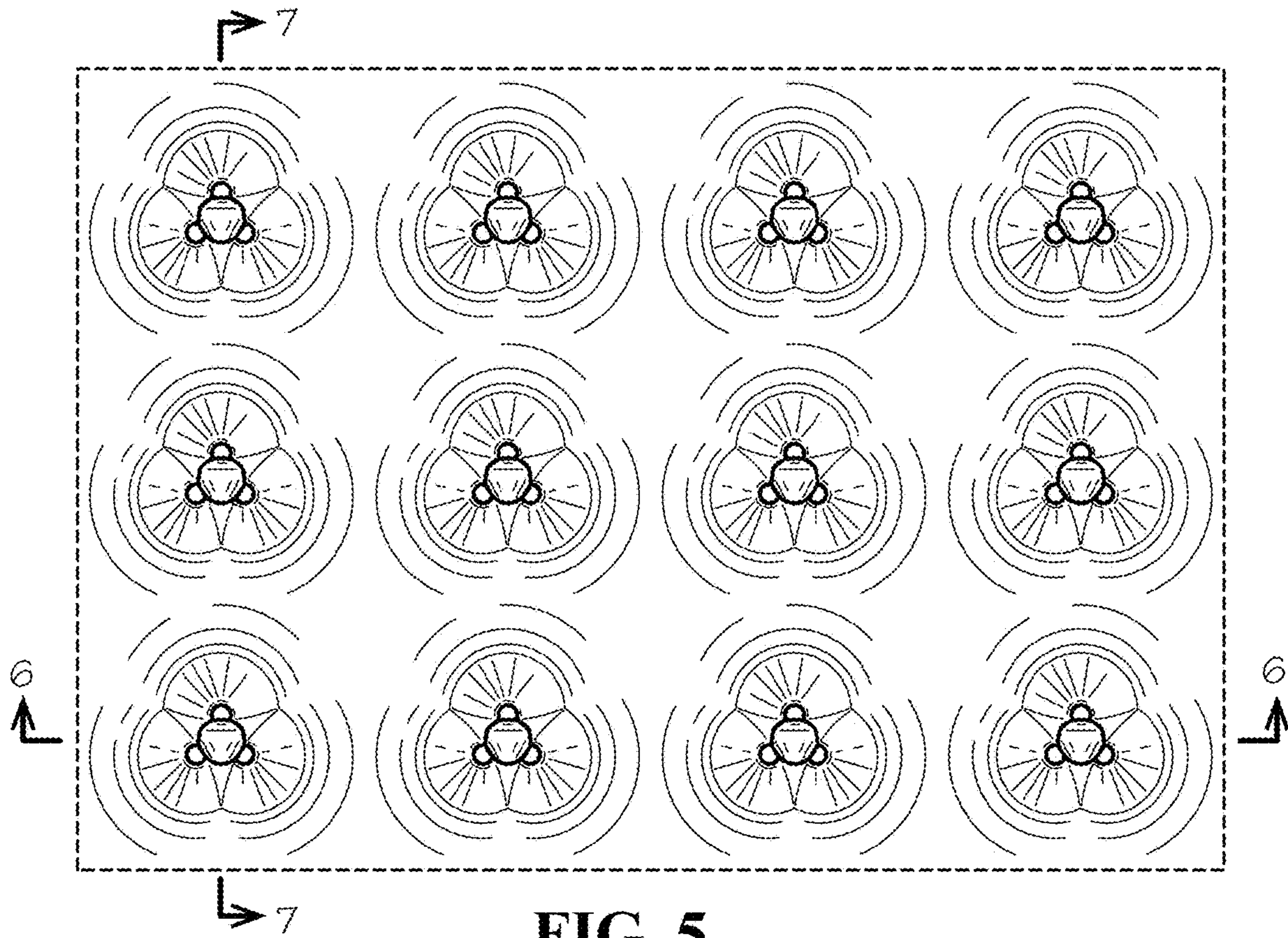


FIG. 5

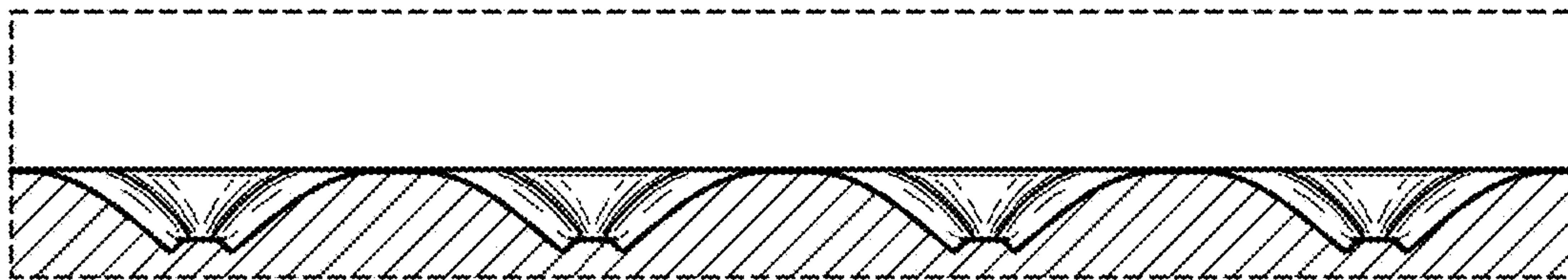


FIG. 6

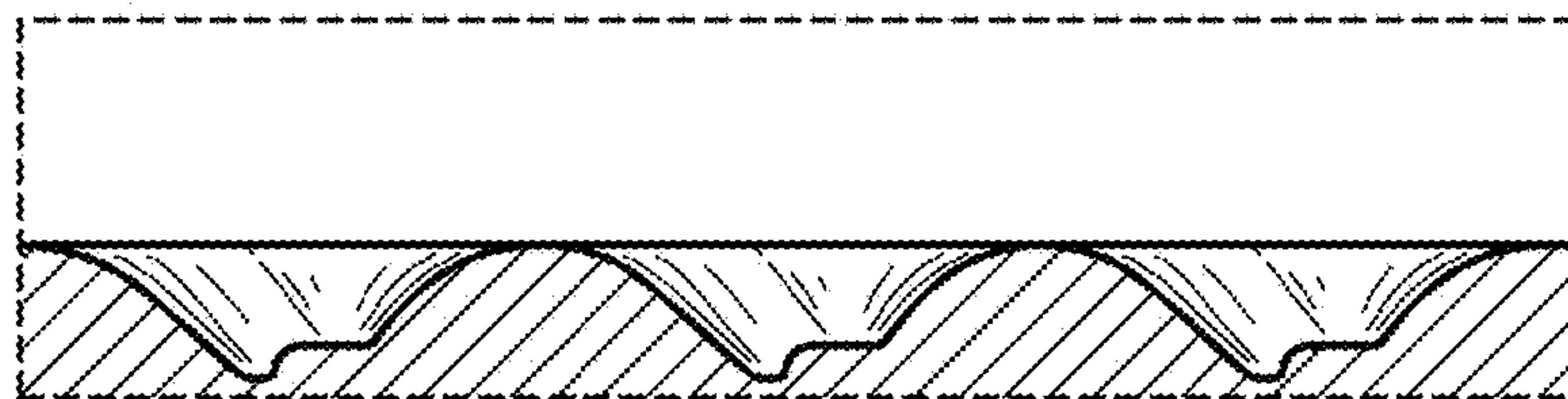


FIG. 7