



US00D884485S

(12) **United States Design Patent**
Zucker

(10) **Patent No.:** **US D884,485 S**
(45) **Date of Patent:** **** May 19, 2020**

(54) **DISPENSER**
(71) Applicant: **PCMR INTERNATIONAL LTD**, Beit She'An (IL)
(72) Inventor: **Shlomo Zucker**, Beverly Hills, CA (US)
(73) Assignee: **PCMR INTERNATIONAL LTD**, Beit She'an (IL)
(**) Term: **15 Years**
(21) Appl. No.: **29/639,848**

3,833,146 A 9/1974 Braginetz
3,834,018 A 9/1974 Ferraro
3,835,532 A 9/1974 Petrillo
D233,417 S * 10/1974 Pomfret D9/736
3,841,201 A 10/1974 Sluetz et al.
3,879,844 A * 4/1975 Griffiths B26B 21/165
30/41.7
3,915,300 A 10/1975 Gatley
3,941,244 A 3/1976 Braginetz
4,034,892 A 7/1977 Braginetz
4,043,035 A 8/1977 Pentney
4,047,295 A 9/1977 Francis
D247,349 S 2/1978 Carr
4,173,285 A 11/1979 Kiraly et al.
D256,996 S * 9/1980 Kiraly D9/736
(Continued)

(22) Filed: **Mar. 9, 2018**
(51) **LOC (12) Cl.** **09-03**
(52) **U.S. Cl.**
USPC **D9/749**
(58) **Field of Classification Search**
USPC D9/735, 737, 748, 749, 424, 432;
D6/512, 526; D3/201, 205; 206/208,
206/228, 352, 354, 359, 360, 557, 558,
206/561, 564; 220/553, 555, 675; 30/38,
30/40, 536-538
CPC .. B65D 73/0092; B65D 75/36; B65D 75/322;
B65D 75/327; B65D 75/366; B65D
75/367; B65D 83/10; A45D 27/225;
B26B 21/4012; B26B 21/4037; B26B
21/165; B26B 21/521; B26B 21/54; B29L
2031/7186
See application file for complete search history.

Primary Examiner — W. A. Teddy Falloway
(74) *Attorney, Agent, or Firm* — DLA Piper LLP (US)

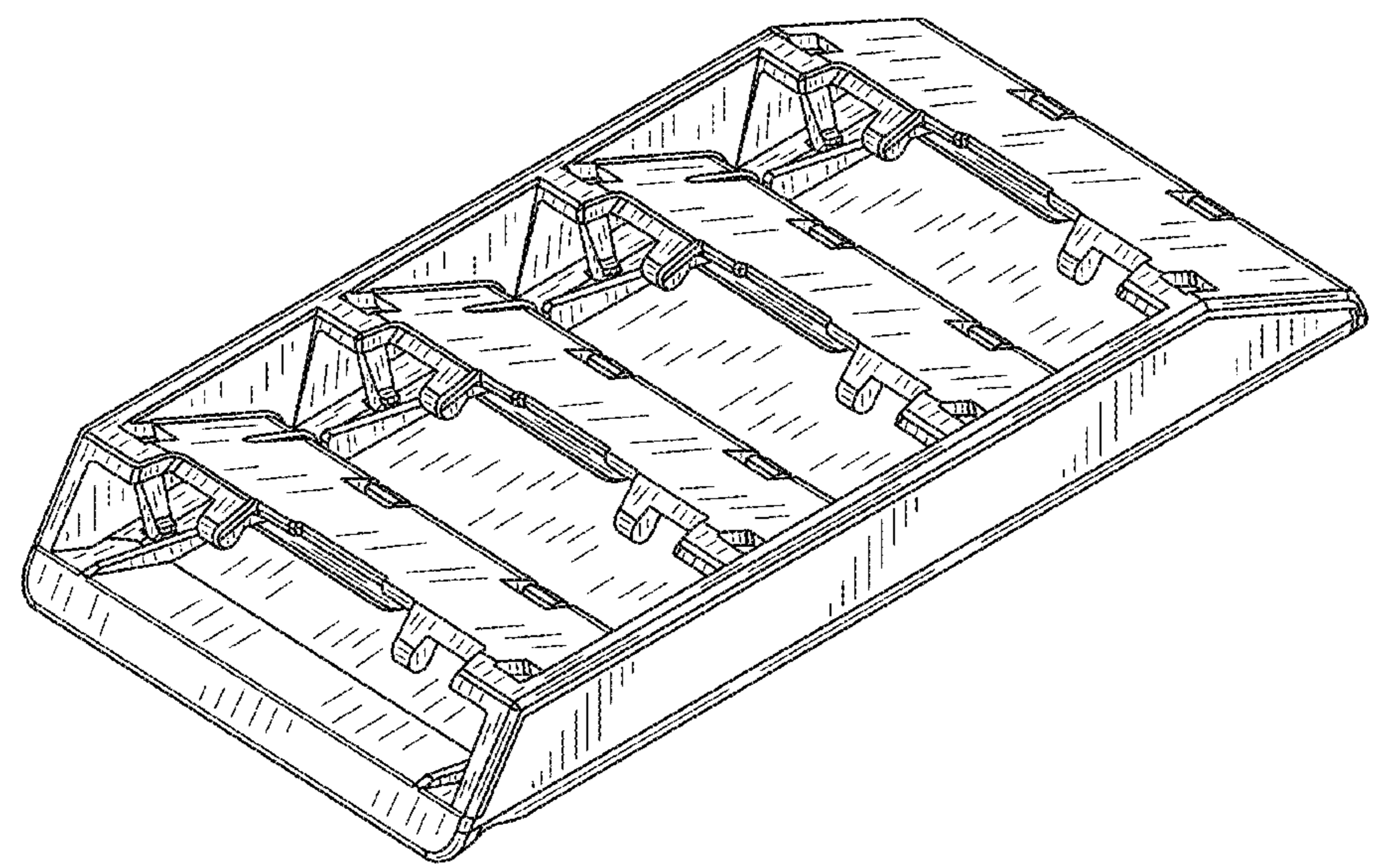
(57) **CLAIM**
I claim the ornamental design for a dispenser, as shown and described.

DESCRIPTION

FIG. 1 is a front perspective of a dispenser according to an embodiment of our new design;
FIG. 2 is a bottom perspective of a dispenser according to an embodiment of our new design;
FIG. 3 is a left elevational view of a dispenser according to an embodiment of our new design;
FIG. 4 is a right elevational view of a dispenser according to an embodiment of our new design;
FIG. 5 is a top plan view of a dispenser according to an embodiment of our new design;
FIG. 6 is a bottom plan view of a dispenser according to an embodiment of our new design;
FIG. 7 is a front elevational view of a dispenser according to an embodiment of our new design; and,
FIG. 8 is a rear elevational view of a dispenser according to an embodiment of our new design.

(56) **References Cited**
U.S. PATENT DOCUMENTS
D226,553 S * 3/1973 Glaberson D9/736
3,771,223 A * 11/1973 Dawidowicz A45D 27/225
30/40
3,797,657 A * 3/1974 Petrillo A45D 27/225
206/356
D231,198 S 4/1974 Casselli

1 Claim, 8 Drawing Sheets



(56)

References Cited

U.S. PATENT DOCUMENTS

D256,997 S *	9/1980	Motta	D9/736	7,172,069 B2	2/2007	Coffin et al.
4,285,428 A	8/1981	Beddall et al.		D558,063 S	12/2007	Kohring
D260,455 S *	9/1981	Haswell	D6/630	7,383,595 B1	6/2008	Czupil
4,601,392 A *	7/1986	Althaus	B65D 59/00 206/349	D579,347 S	10/2008	Kohring
D312,568 S *	12/1990	Gray	D9/736	D587,404 S	2/2009	Wonderley
4,978,031 A	12/1990	Lembke		D596,047 S	7/2009	Wonderley
5,113,586 A	5/1992	Lazarchik et al.		7,631,757 B2	12/2009	Petricca
D358,761 S	5/1995	Ho		D612,992 S	3/2010	Sennett et al.
D366,611 S *	1/1996	Poisson	D9/736	D616,148 S	5/2010	Wonderley
5,518,114 A *	5/1996	Kohring	A45D 27/225 206/352	D616,149 S	5/2010	Wonderley
5,635,442 A	6/1997	Bradbury		D619,300 S	7/2010	Wonderley
D397,290 S *	8/1998	Petricca	D9/736	D620,376 S	7/2010	Peyser et al.
5,788,429 A	8/1998	Gracey		7,814,661 B2	10/2010	Tomassetti
D398,522 S *	9/1998	Petricca	D9/736	D629,969 S	12/2010	Wonderley
5,867,907 A	2/1999	Terry et al.		D630,109 S	1/2011	Wonderley
5,893,213 A	4/1999	Motta		D630,526 S *	1/2011	Wonderley
5,946,805 A	9/1999	Oldroyd		D638,309 S	5/2011	Wonderley
6,041,926 A *	3/2000	Petricca	A45D 27/225 206/356	7,941,931 B2	5/2011	Prudden, Jr.
6,052,903 A	4/2000	Metcalf et al.		D643,751 S *	8/2011	Wonderley
6,085,426 A	7/2000	Metcalf et al.		8,113,347 B2	2/2012	Kohring et al.
D430,013 S	8/2000	Shurtleff et al.		8,342,322 B2	1/2013	De'rennaux
6,185,827 B1	2/2001	Polites		8,584,848 B1	11/2013	Lee et al.
6,192,586 B1	2/2001	Metcalf et al.		8,757,370 B2	6/2014	Krok et al.
D440,012 S	4/2001	Lee		8,770,398 B1	7/2014	Krok et al.
D443,111 S	5/2001	Nakasuka		D745,828 S	12/2015	Provost et al.
6,237,232 B1	5/2001	Petricca et al.		D751,419 S	3/2016	Provost et al.
6,413,599 B1	7/2002	Petricca et al.		9,326,580 B2	5/2016	Provost et al.
6,415,517 B1	7/2002	Worrick, III et al.		10,188,189 B1 *	1/2019	McNally
6,499,595 B1	12/2002	Petricca		2002/0166785 A1	11/2002	Worrick
D468,484 S	1/2003	Yamashita		2002/0184770 A1	12/2002	Peyser
6,648,140 B2	11/2003	Petricca		2003/0089631 A1	5/2003	Petricca
D487,822 S	3/2004	Lee		2004/0129590 A1	7/2004	Petricca
D490,569 S	5/2004	Prochaska		2005/0183971 A1	8/2005	Petricca
D503,893 S	4/2005	Kohring		2005/0198825 A1	9/2005	Apprille
6,886,690 B2	5/2005	Petricca		2006/0219584 A1	10/2006	Fischer et al.
D522,382 S	6/2006	Wonderley		2008/0201957 A1	8/2008	Apprille
D531,518 S *	11/2006	Ramm	D9/749	2009/0056151 A1	3/2009	Kohring et al.
7,159,324 B2	1/2007	Worrick, III et al.		2009/0057170 A1	3/2009	Kohring et al.
				2009/0172958 A1	7/2009	Prudden, Jr. et al.
				2011/0005089 A1	1/2011	Sennett et al.
				2011/0139647 A1	6/2011	Petricca
				2011/0139648 A1	6/2011	Sonnenberg
				2015/0342319 A1	12/2015	Lee et al.

* cited by examiner

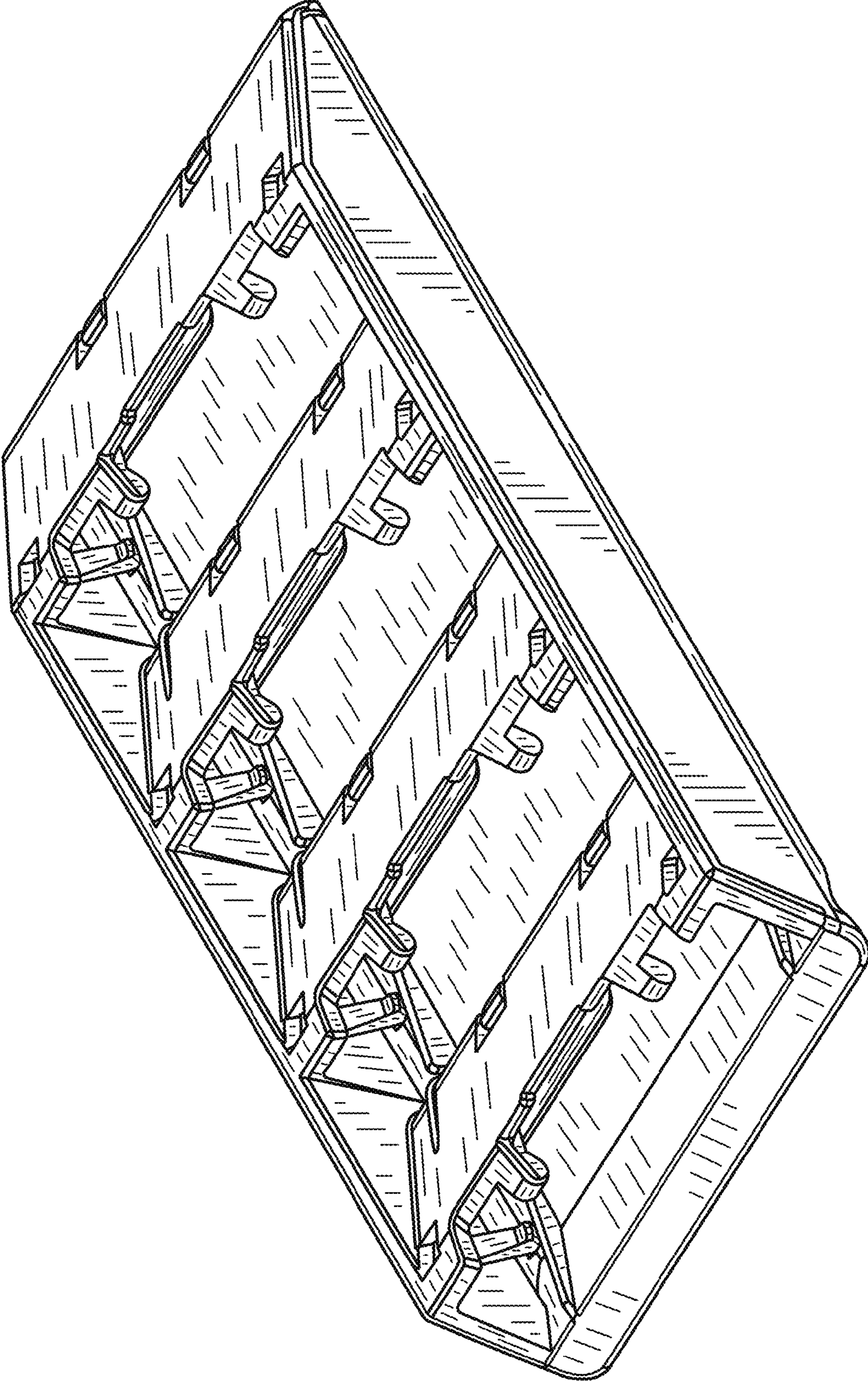


FIG. 1

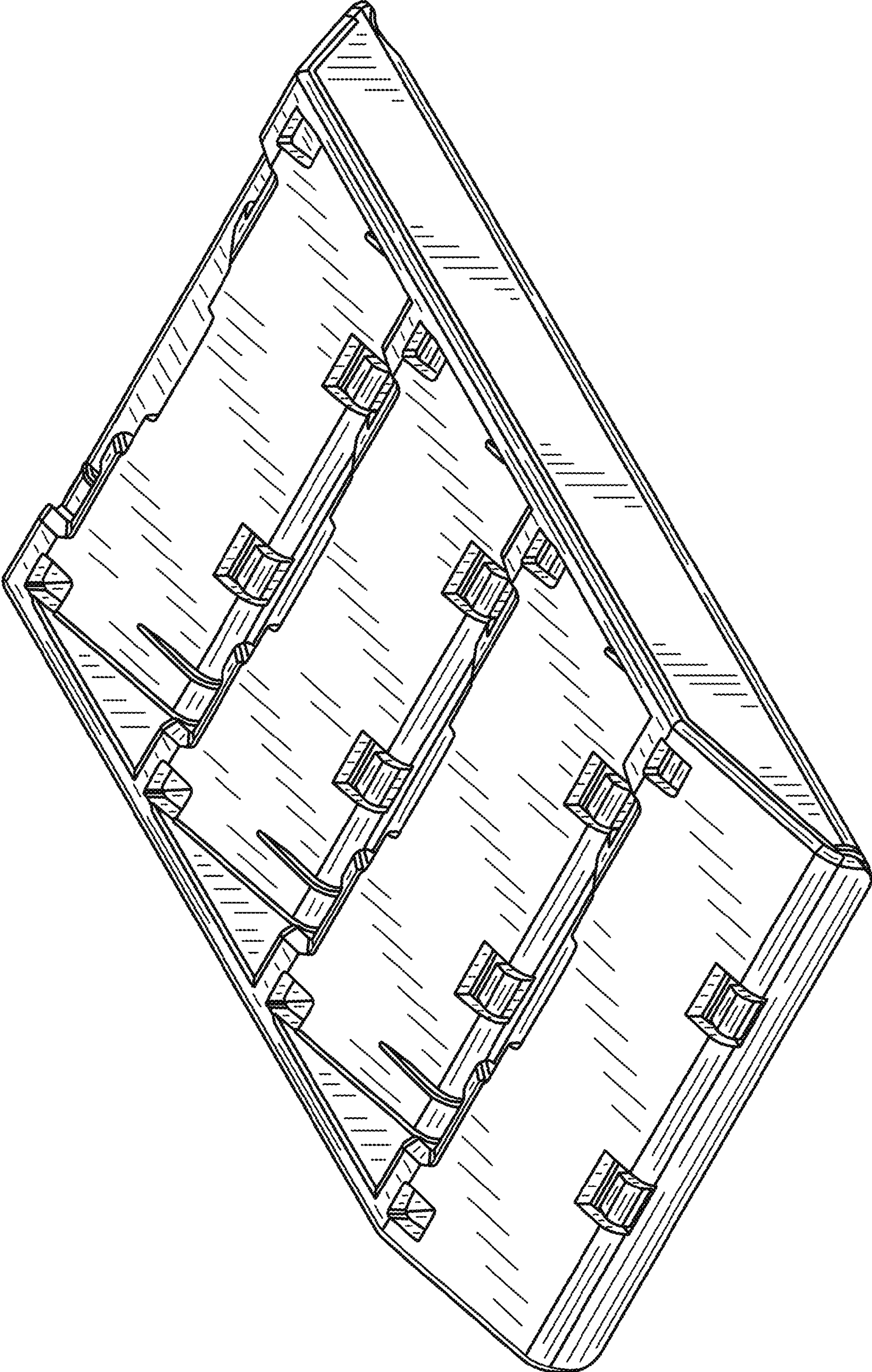


FIG. 2

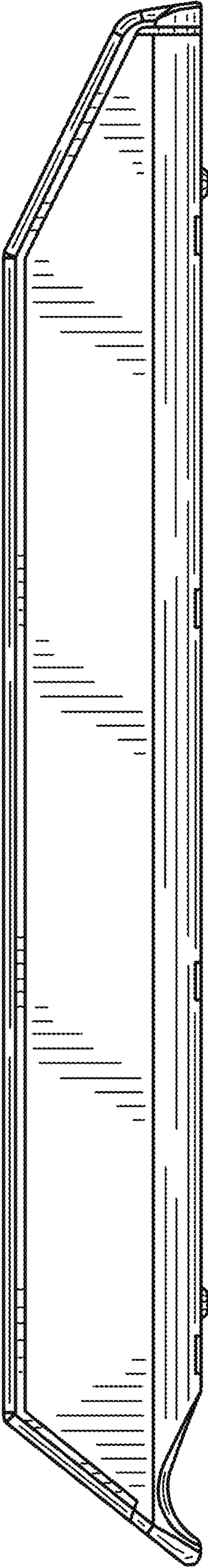


FIG. 3

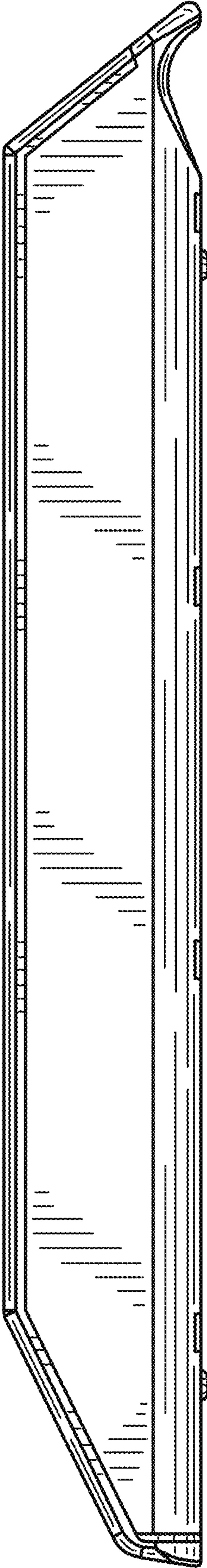


FIG. 4

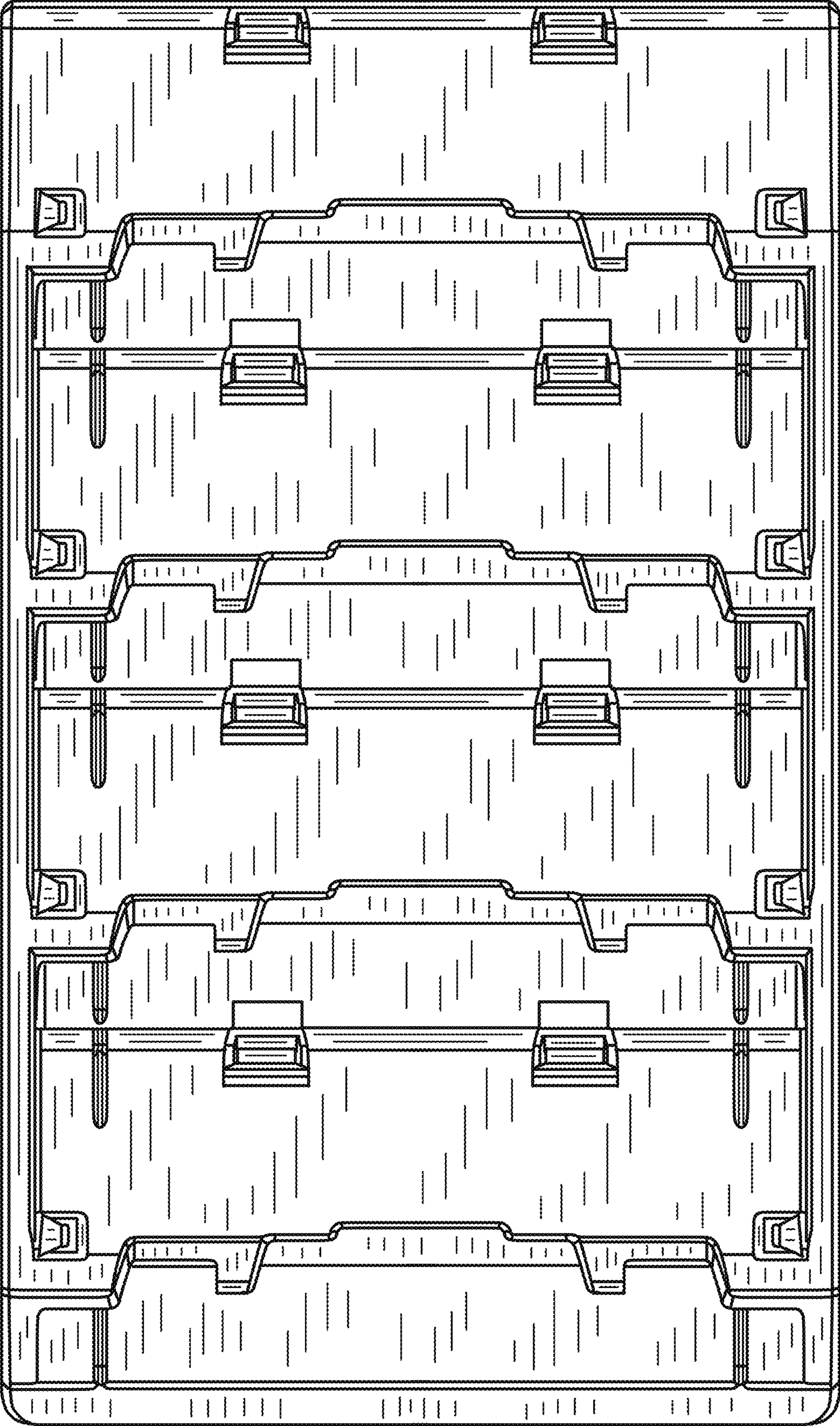


FIG. 5

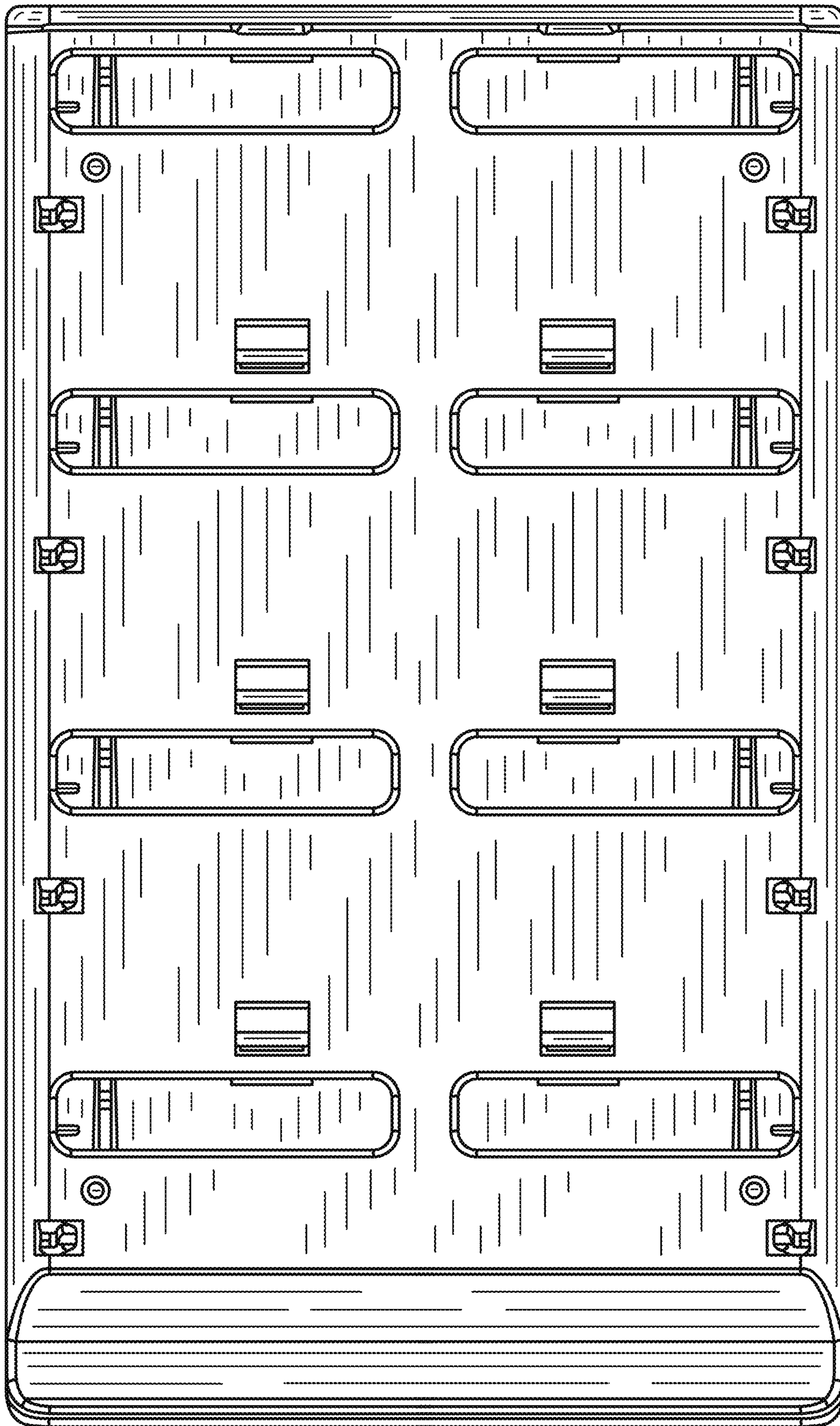


FIG. 6

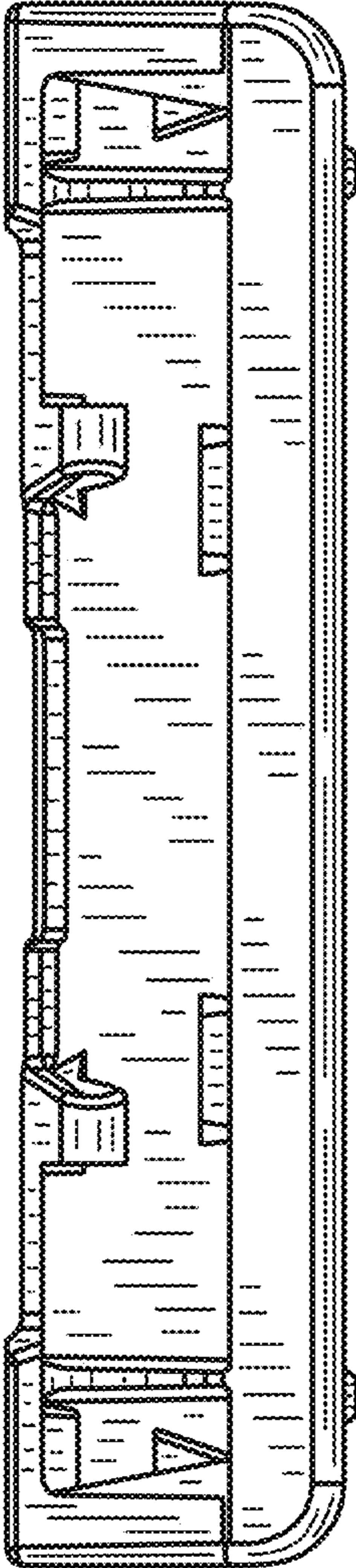


FIG. 7

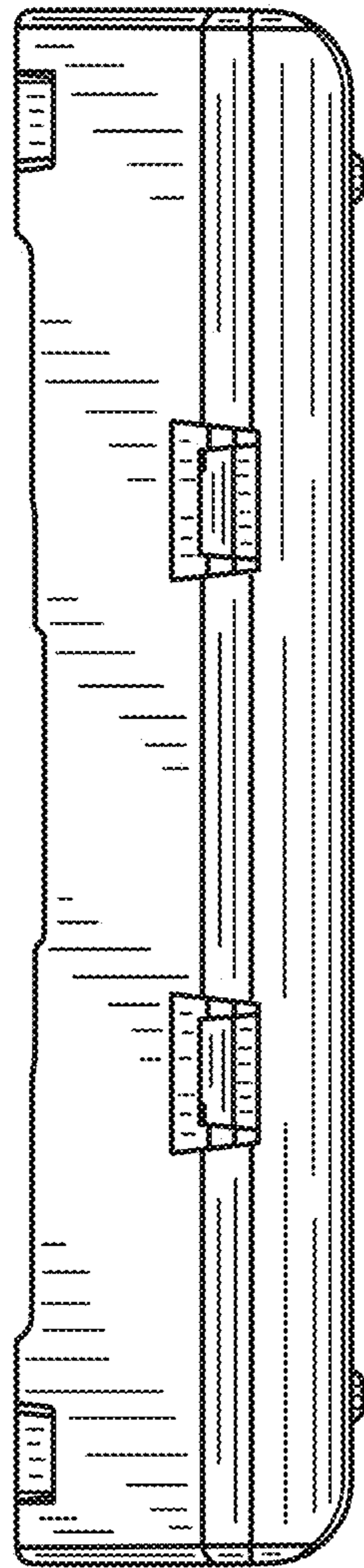


FIG. 8