



US00D884484S

(12) **United States Design Patent**
Dominion et al.

(10) **Patent No.:** **US D884,484 S**

(45) **Date of Patent:** **** May 19, 2020**

(54) **CONTAINER**

(71) Applicant: **D6 Inc.**, Portland, OR (US)

(72) Inventors: **Ed Dominion**, Portland, OR (US);
Martin Troudt, Wood Village, OR
(US); **Ben McGregor**, Portland, OR
(US)

(73) Assignee: **D6 Inc.**, Portland, OR (US)

(**) Term: **15 Years**

(21) Appl. No.: **29/605,998**

(22) Filed: **May 31, 2017**

(51) **LOC (12) Cl.** **09-03**

(52) **U.S. Cl.**
USPC **D9/737; D7/553.3**

(58) **Field of Classification Search**
USPC D9/341, 347, 414-432, 440, 444, 447,
D9/449, 450-454, 503, 504, 737, 759,
D9/761; D7/672, 601, 550.1, 551.1,
D7/551.2, 551.3, 552.1, 552.2, 553.1,
D7/553.2, 553.3, 553.4, 553.5, 553.7,
D7/553.8, 554.1, 554.3, 555, 557, 602,
D7/629, 630, 538-542, 543-549,
D7/612-615, 584, 586, 587, 392.1, 709,
D7/502, 608, 622, 701, 703, 543-549,
D7/317-319, 391, 392, 396.2, 510, 511;
D3/273, 201-206, 276, 283, 284, 295,
D3/274, 302; 220/669-673, 675,
220/574-575, 573.1, 4.21, 660, 326, 236,
220/780-806, 4.24, 288, 260, 266, 306,
220/352, 356, 523, 23.8, 23.2, 23.83,
220/23.4, 662, 700, 701, 703, 711,
220/713-715, 719; D11/143; 249/126,
249/134; 206/216, 217, 541-550, 518,
206/557, 558, 561, 564, 223, 467;
426/106; 229/107, 406, 120, 125.17;
215/211, 200, 224, 243
CPC B65D 1/36; B65D 2543/00194; B65D
2543/00296; B65D 2543/00555; B65D
2581/3425; B65D 25/04; B65D 43/0218;

B65D 2543/00083; B65D 2543/00268;
B65D 2543/00277; B65D 2543/00351;
B65D 81/3453; B65D 43/16; B65D
51/28; B65D 43/162; B65D 1/24; B65D
21/0237;

(Continued)

(56) **References Cited**

U.S. PATENT DOCUMENTS

4,026,457 A * 5/1977 Schubert B65D 1/36
229/406
5,497,885 A * 3/1996 Sussman A47G 19/065
206/217

(Continued)

OTHER PUBLICATIONS

U.S. Appl. No. 29/605,996, filed May 31, 2017, 13 pages.

(Continued)

Primary Examiner — W. A. Teddy Falloway
(74) *Attorney, Agent, or Firm* — Stoel Rives LLP

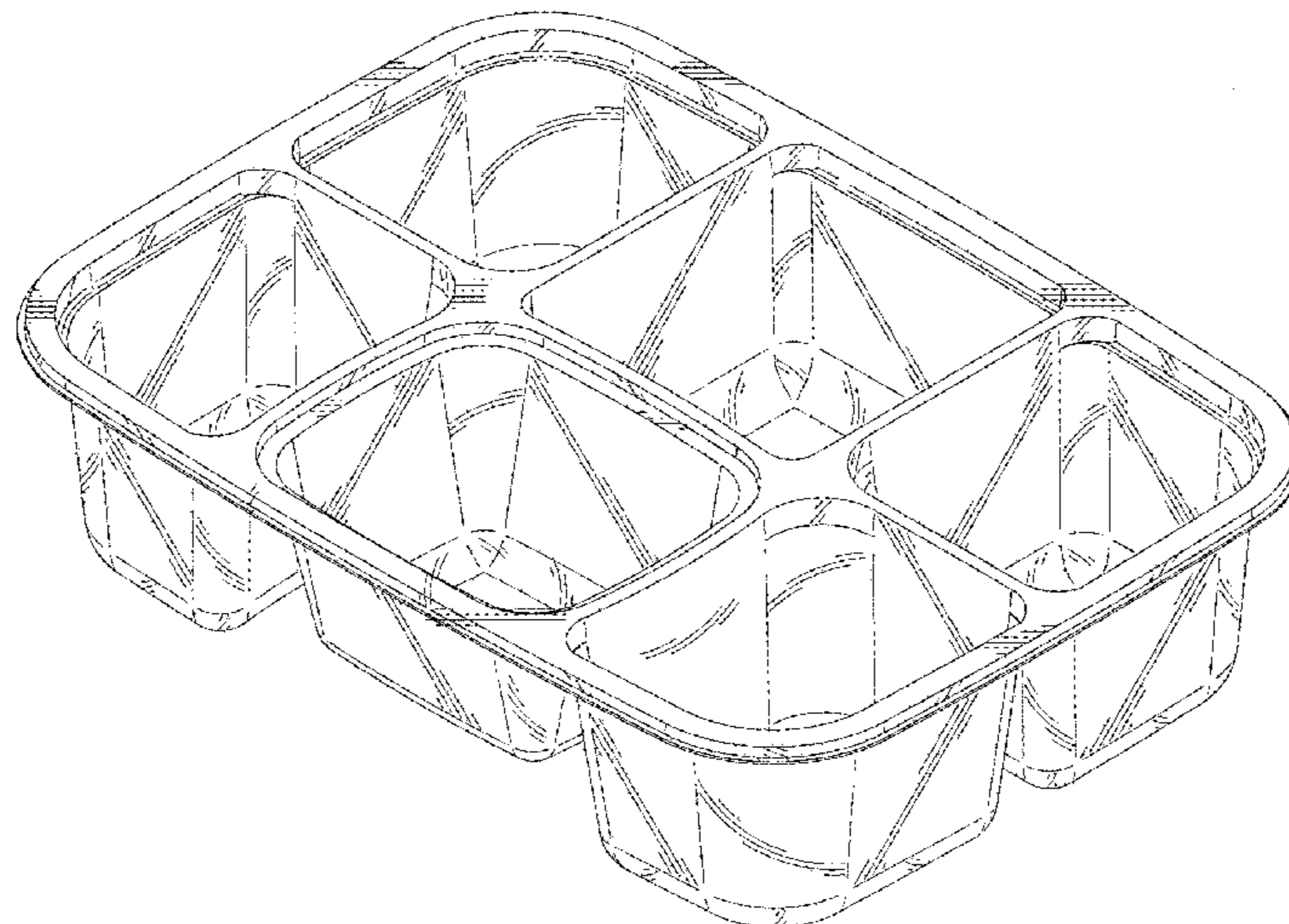
(57) **CLAIM**

The ornamental design for a container, as shown and described.

DESCRIPTION

FIG. 1 is a front, top isometric view of a container according to our new design;
FIG. 2 is a front elevational view of the container of FIG. 1, the rear elevational view being identical thereto;
FIG. 3 is a right elevational view of the container of FIG. 1, the left elevational view being identical thereto;
FIG. 4 is a top plan view of the container of FIG. 1;
FIG. 5 is a bottom plan view of the container of FIG. 1;
FIG. 6 is a bottom perspective view of the container of FIG. 1; and,
FIG. 7 is a top isometric view of the container of FIG. 1.

1 Claim, 6 Drawing Sheets



(58) **Field of Classification Search**
 CPC B65D 2543/00101; A47G 19/02; A47G
 19/065; A47G 23/0608; A47G 23/06
 See application file for complete search history.

(56) **References Cited**

U.S. PATENT DOCUMENTS

D395,003	S	*	6/1998	Daniels	D9/737
D440,118	S	*	4/2001	Claffy	D7/553.1
D463,977	S	*	10/2002	Castellanos	D9/425
D492,593	S	*	7/2004	Dutton	D9/760
D504,326	S	*	4/2005	Vovan	D9/425
D508,634	S	*	8/2005	Chambers	D3/313
7,017,774	B2	*	3/2006	Haedt	B65D 1/28 206/564
D555,475	S	*	11/2007	Enriquez	D9/432
D572,148	S	*	7/2008	Mangino	D9/737
D572,149	S	*	7/2008	Mangino	D9/737
7,874,449	B1	*	1/2011	Studee	A47G 19/02 206/219
D647,807	S	*	11/2011	Golota	D9/424
D648,635	S	*	11/2011	Golota	D9/424
D648,636	S	*	11/2011	Golota	D9/424

D653,963	S	*	2/2012	Golota	D9/737
D695,077	S	*	12/2013	Chase	D7/555
D729,588	S	*	5/2015	Breton	D7/553.2
D731,248	S	*	6/2015	Breton	D7/553.2
D734,098	S	*	7/2015	Breton	D7/553.6
D735,028	S	*	7/2015	Baillies	D9/425
D737,633	S	*	9/2015	Breton	D7/553.6
D798,167	S	*	9/2017	Bennett	D9/762
D805,400	S	*	12/2017	Shoshan	D9/737
2010/0181318	A1	*	7/2010	Bava	B65D 43/022 220/378
2011/0240653	A1	*	10/2011	Castner	A45C 11/20 220/526
2013/0081361	A1	*	4/2013	Miros	A45C 11/20 53/420

OTHER PUBLICATIONS

U.S. Appl. No. 29/605,994, filed May 31, 2017, 13 pages.
 U.S. Appl. No. 29/605,992, filed May 31, 2017, 14 pages.
 U.S. Appl. No. 29/605,997, filed May 31, 2017, 15 pages.
 U.S. Appl. No. 29/605,999, filed May 31, 2017, 8 pages.
 U.S. Appl. No. 29/606,000, filed May 31, 2017, 15 pages.

* cited by examiner

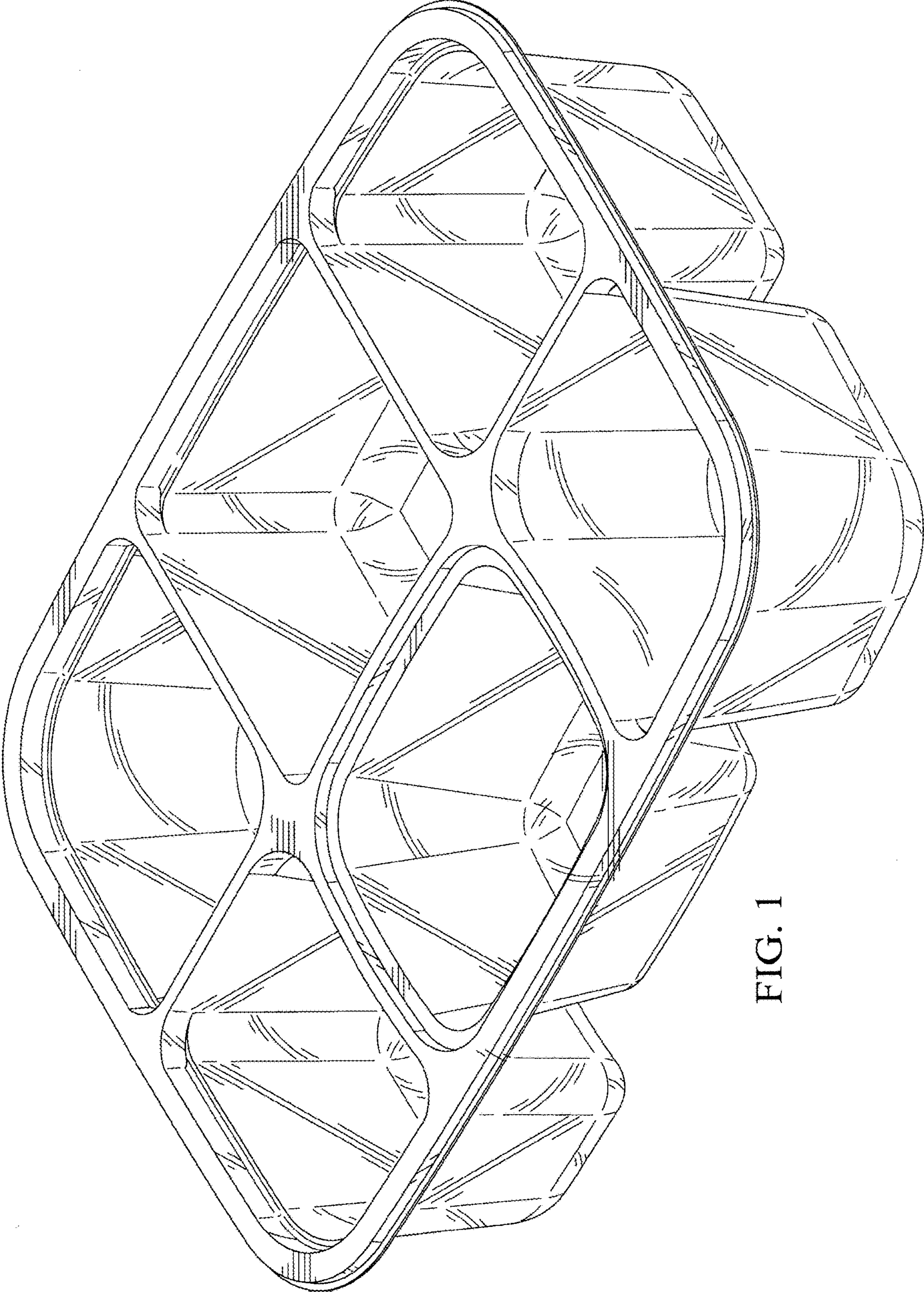


FIG. 1

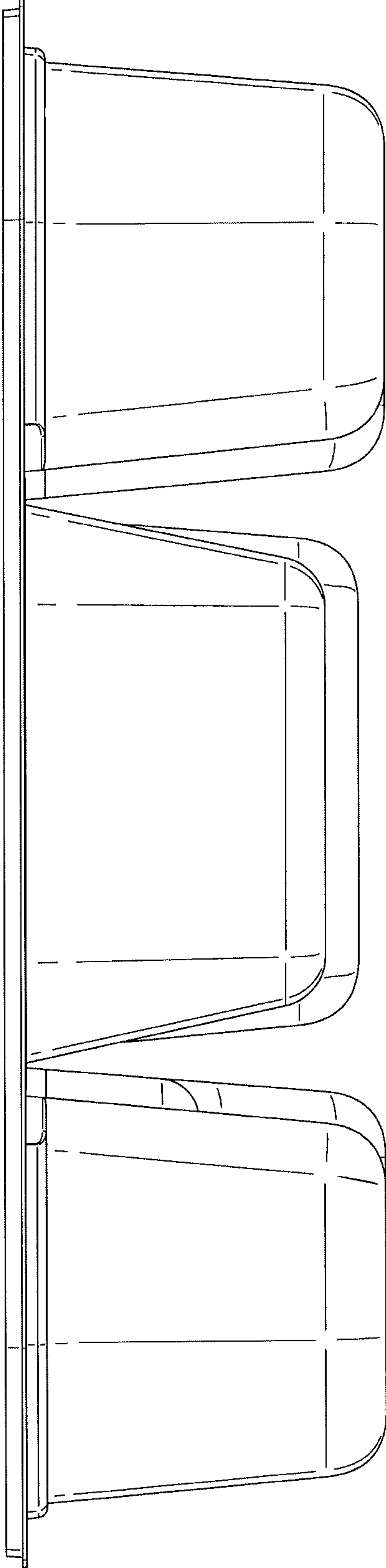


FIG. 2

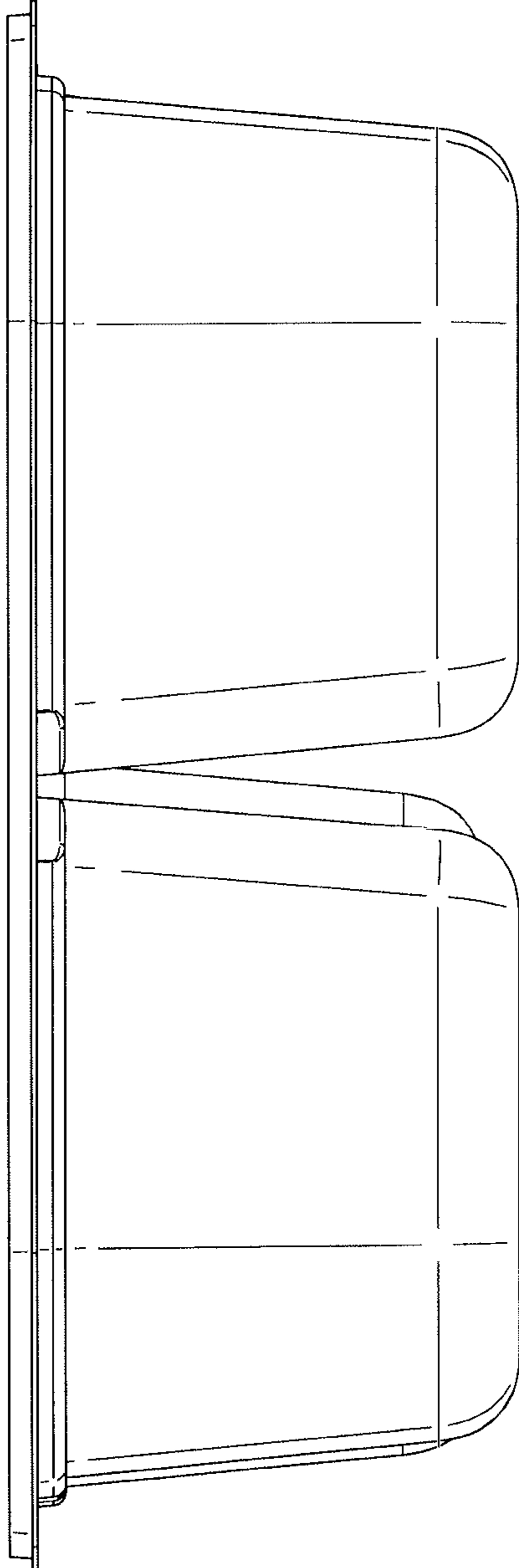


FIG. 3

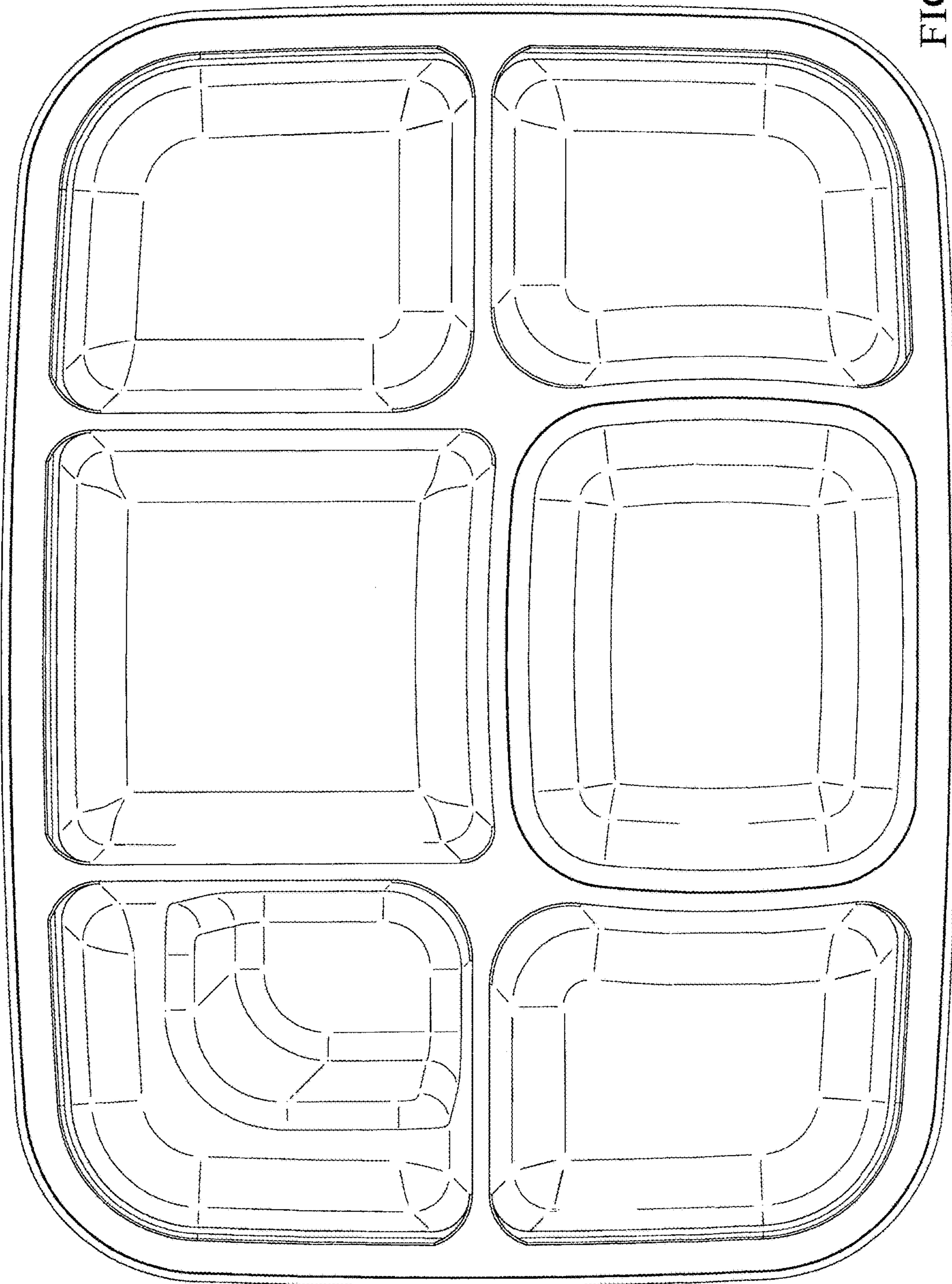


FIG. 4

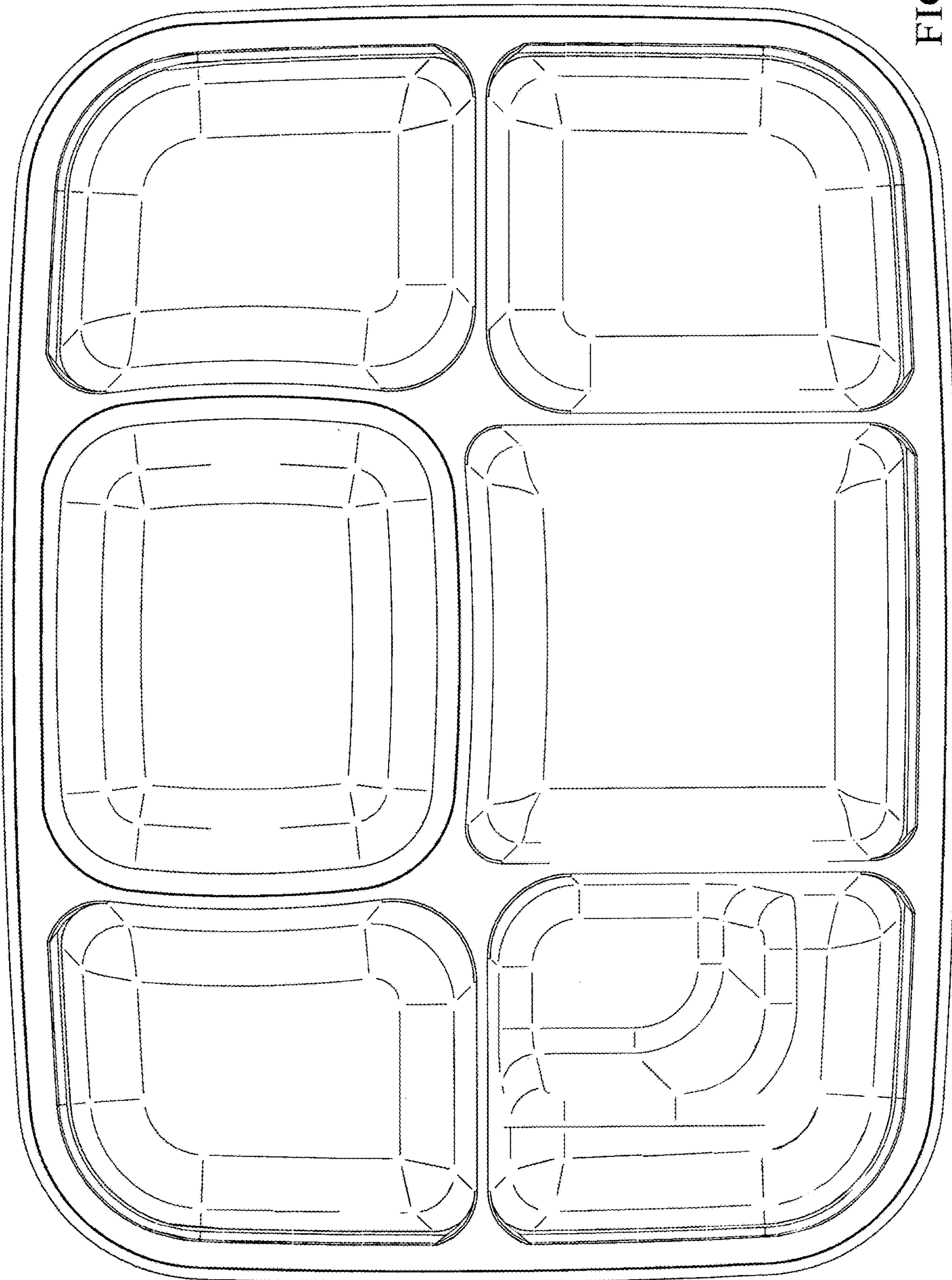


FIG. 5

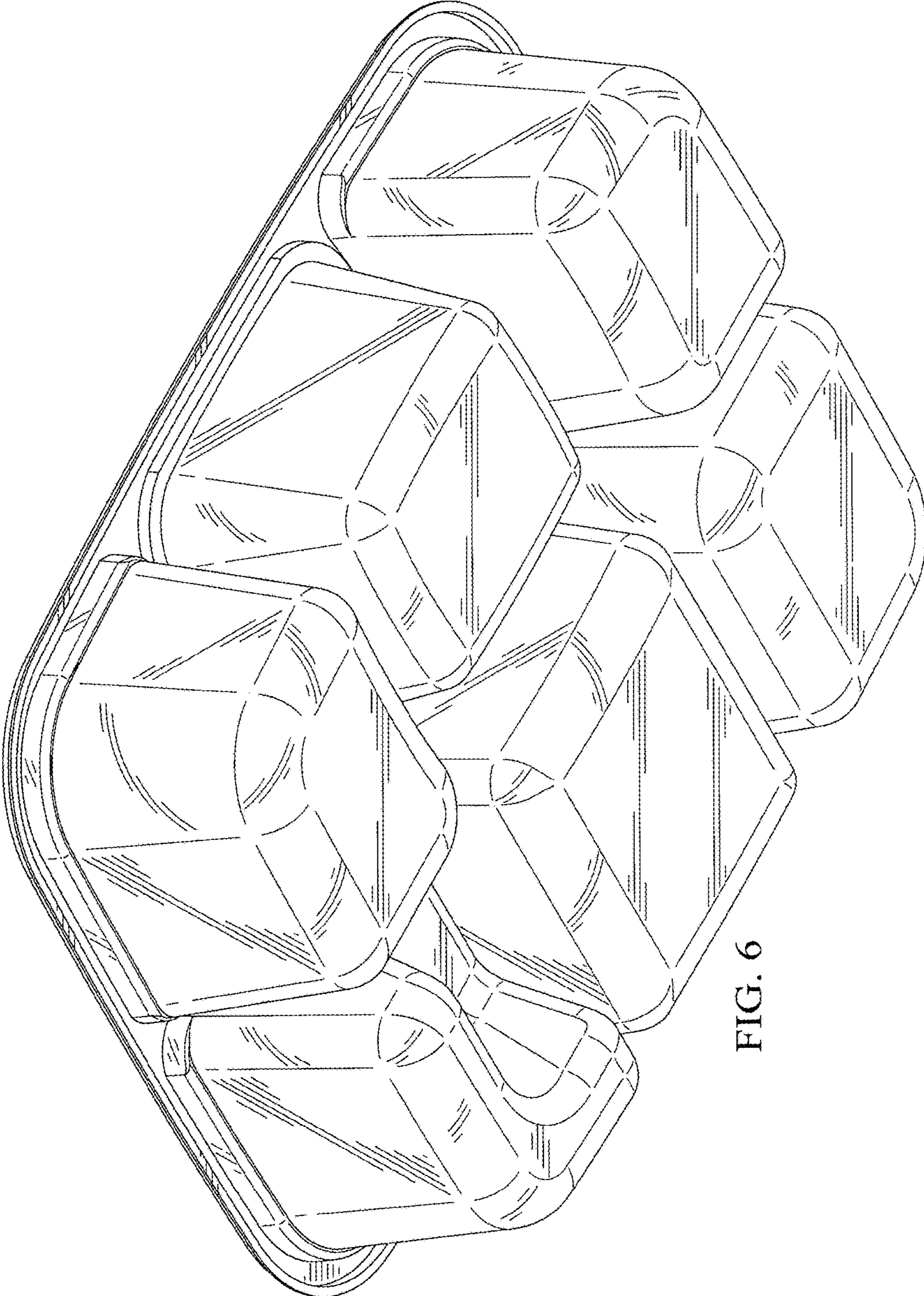


FIG. 6

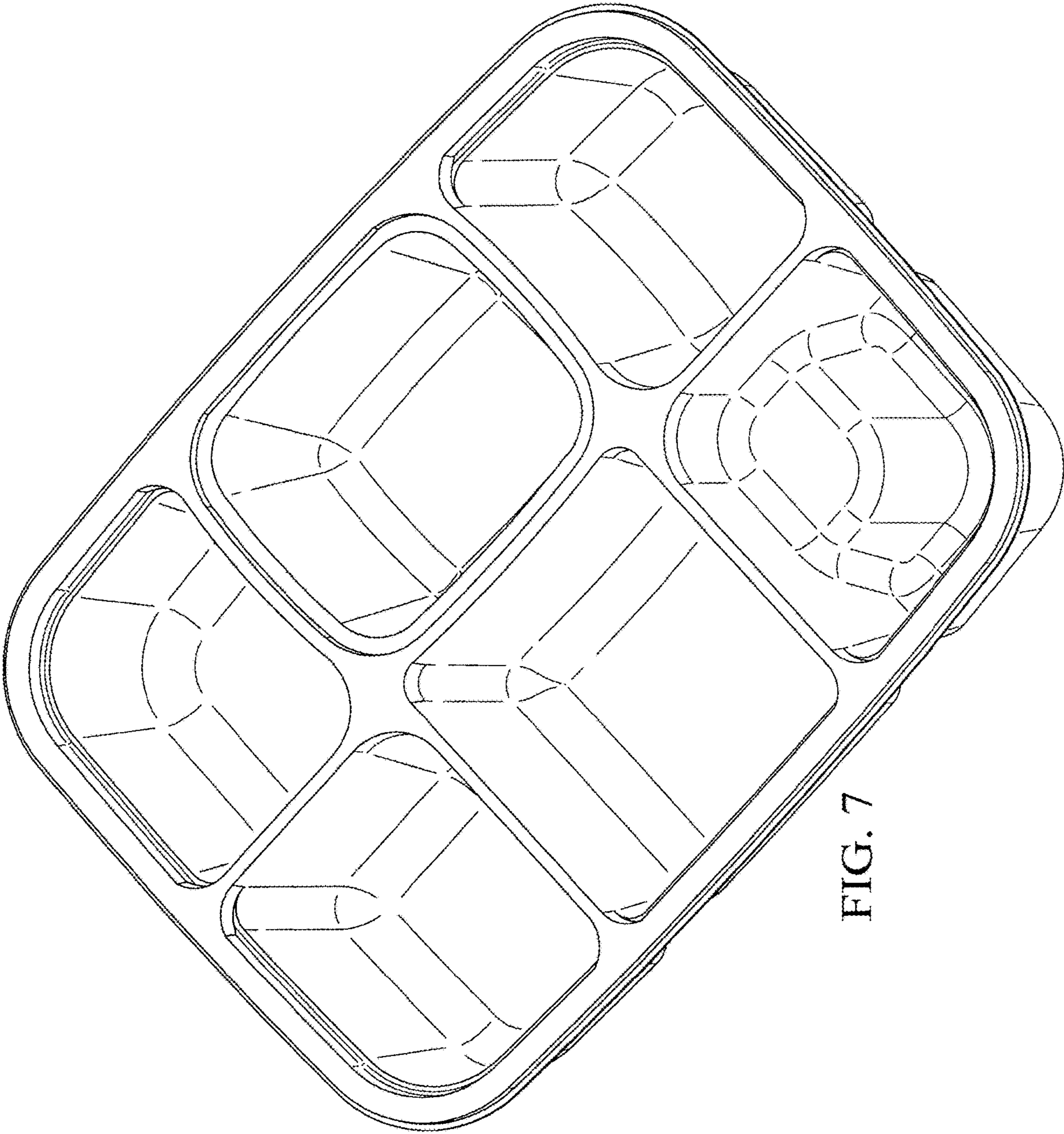


FIG. 7