



US00D884481S

(12) **United States Design Patent** (10) **Patent No.:** **US D884,481 S**
Lim et al. (45) **Date of Patent:** **** May 19, 2020**

(54) **COMBINED COSMETICS DISPENSER AND APPLICATOR**

FOREIGN PATENT DOCUMENTS

(71) Applicant: **HCT GROUP HOLDINGS LIMITED**, Central (CN)

CN 201399985 Y 2/2010
CN 303570851 * 1/2016

(Continued)

(72) Inventors: **Cindy Lim**, Santa Monica, CA (US);
Ashleigh Earl, London (GB)

Primary Examiner — Catherine A Tuttle
(74) *Attorney, Agent, or Firm* — Seager, Tufte & Wickhem LLP

(73) Assignee: **HCT GROUP HOLDINGS LIMITED**, Hong Kong (HK)

(57) **CLAIM**

(**) Term: **15 Years**

The ornamental design for a combined cosmetics dispenser and applicator, as shown and described.

(21) Appl. No.: **29/591,381**

(22) Filed: **Jan. 19, 2017**

DESCRIPTION

(51) **LOC (12) Cl.** **09-01**

(52) **U.S. Cl.**

USPC **D9/690**; D9/691; D9/719; D9/723

(58) **Field of Classification Search**

USPC D9/682-694, 715, 718, 719, 723-729,
D9/695, 697-699, 737-747, 434-436,
D9/442, 444-449, 500-505; D28/7, 9,
D28/20, 56, 57, 62, 76, 77, 91.1, 99;

D4/114, 116; 401/126-130, 131, 188 R,
401/188 A, 189, 190, 191, 268, 289, 290

CPC A45D 34/02; A45D 34/04; A45D 34/042;
A45D 34/045; A45D 34/06; A45D
2034/002; A45D 2200/054; A45D
2200/055; A45D 2200/056; A45D
2200/057; A45D 2200/10; A45D

(Continued)

FIG. 1 is a front view showing a first embodiment of our new design for a combined cosmetics dispenser and applicator; FIG. 2 is a rear view thereof; FIG. 3 is a left side view thereof, the right side view being a mirror image of the side shown; FIG. 4 is a top view thereof; FIG. 5 is a top view thereof, with the broken line applicator surface omitted for clarity; FIG. 6 is a bottom view thereof; FIG. 7 is a front view showing a second embodiment of our new design; FIG. 8 is a rear view thereof; FIG. 9 is a left view thereof, the right view being the same; FIG. 10 is a top view thereof; FIG. 11 is a top view thereof with the broken line applicator surface omitted for clarity; FIG. 12 is a bottom view thereof; and, FIG. 13 is a front view showing the first embodiment with the applicator cap in place.

The broken lines are included for the purpose of illustrating the elements of the combined cosmetics dispenser and applicator that form no part of the claimed design.

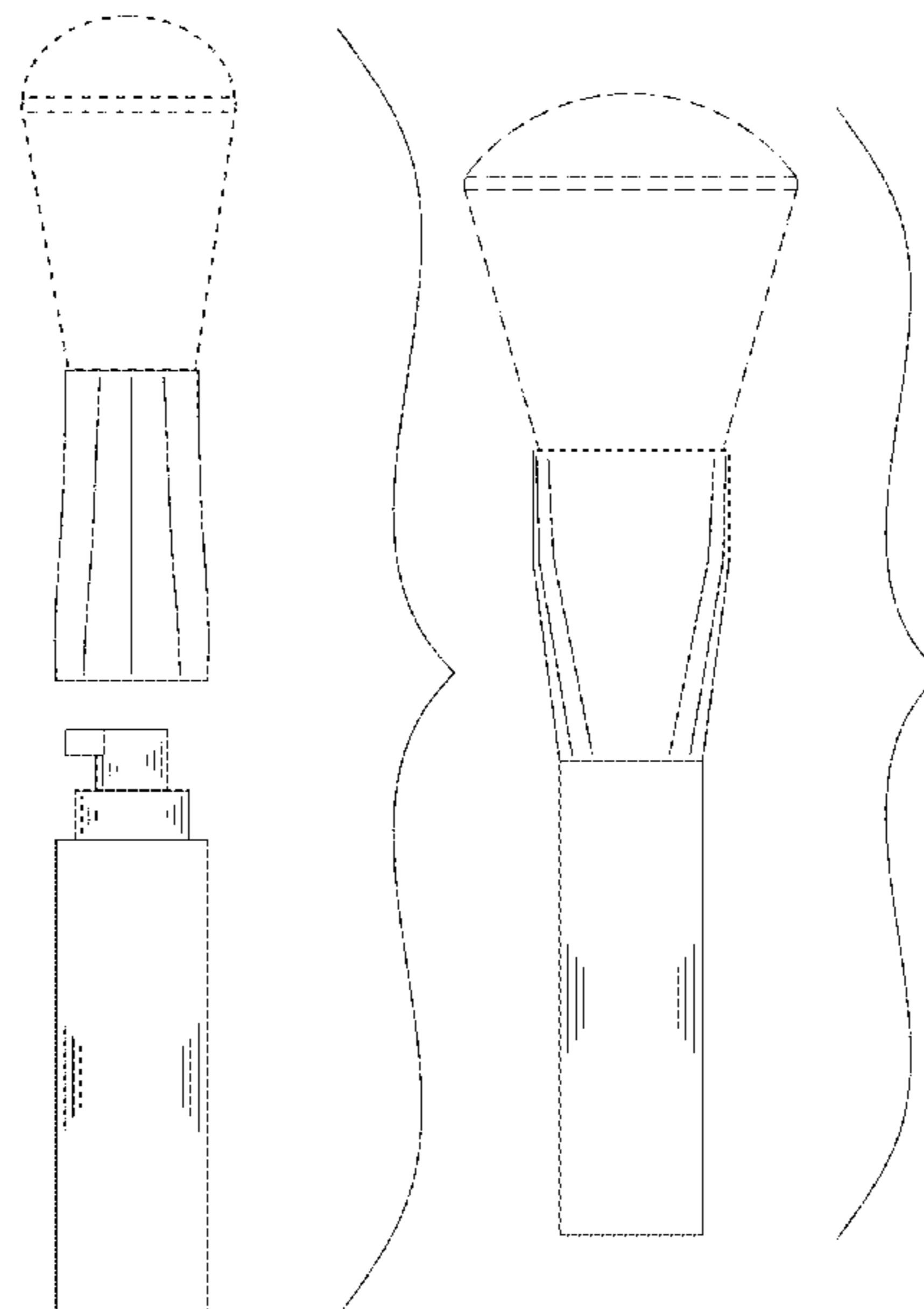
(56) **References Cited**

U.S. PATENT DOCUMENTS

692,412 A 2/1902 Austin et al.
1,185,617 A 6/1916 Blaha et al.
1,261,502 A 4/1918 Farrows

(Continued)

1 Claim, 13 Drawing Sheets



(58) **Field of Classification Search**
 CPC 2200/1009; A45D 2200/1018; A45D
 2200/109; B05B 11/00-3098
 See application file for complete search history.

(56) **References Cited**

U.S. PATENT DOCUMENTS

1,355,026 A 10/1920 Austin
 1,457,615 A 6/1923 Bunker
 2,104,651 A 1/1938 Hoffman, Jr.
 2,132,943 A 10/1938 Frazier
 2,442,051 A 5/1948 Luscri
 2,637,060 A 5/1953 Morris
 3,205,523 A 9/1965 Seaver
 3,228,057 A * 1/1966 Parrish A46B 11/0017
 132/290
 3,388,958 A * 6/1968 Johnson A45D 27/04
 132/290
 D234,074 S * 1/1975 Nilsson D4/114
 5,339,483 A 8/1994 Byun
 5,577,851 A 11/1996 Koptis
 D376,910 S * 12/1996 Tuchman 401/139
 D413,793 S * 9/1999 Favre D9/692
 6,010,264 A 1/2000 Scuderi et al.
 D438,785 S * 3/2001 Baron D9/689
 D439,415 S 3/2001 Mink et al.
 6,224,287 B1 5/2001 Gieux
 6,269,515 B1 8/2001 Varma
 6,309,124 B1 10/2001 Gueret
 D465,410 S * 11/2002 Kikuchi D9/691
 6,935,802 B1 8/2005 Byun
 D521,385 S * 5/2006 Priestman D28/76
 7,044,341 B2 5/2006 Sanchez
 D533,966 S * 12/2006 Bakic D28/76
 7,234,474 B2 6/2007 Byun
 7,955,014 B2 6/2011 Thorpe et al.
 8,113,219 B1 2/2012 Chang
 8,132,285 B2 3/2012 Piao
 D658,073 S * 4/2012 Lee D9/691
 8,292,535 B2 10/2012 Thorpe
 8,297,869 B2 10/2012 Gueret
 D699,579 S * 2/2014 Cole D28/76
 8,671,499 B2 3/2014 Lim et al.
 D702,554 S * 4/2014 Cole D28/76
 D705,657 S * 5/2014 Cole D28/76
 D715,156 S * 10/2014 Park D9/688
 D717,548 S 11/2014 Lim
 D723,934 S * 3/2015 Kim D9/691
 9,039,314 B2 5/2015 Thorpe et al.
 D736,093 S * 8/2015 Clark D9/682
 9,210,994 B2 12/2015 Brown et al.
 9,215,919 B2 12/2015 Apodaca et al.

9,247,803 B2 2/2016 Lim et al.
 D767,903 S * 10/2016 Lim D4/135
 D816,913 S * 5/2018 Hayes D28/76
 D825,336 S * 8/2018 Spurrier D9/500
 10,154,726 B2 * 12/2018 Johnston A46B 3/12
 2002/0057939 A1 5/2002 Gueret
 2004/0089318 A1 5/2004 Tahara
 2004/0213628 A1 10/2004 Thiebaut
 2005/0188999 A1 * 9/2005 Byun A45D 34/02
 132/313
 2005/0273962 A1 12/2005 Dillon
 2005/0286966 A1 12/2005 Gueret
 2006/0026783 A1 2/2006 Mckay
 2007/0075102 A1 * 4/2007 Moore B05B 11/0032
 222/519
 2007/0098485 A1 5/2007 Byun
 2007/0175922 A1 * 8/2007 Choi B05B 11/0005
 222/145.2
 2007/0206986 A1 9/2007 Gueret
 2008/0023025 A1 1/2008 Burtzloff et al.
 2008/0283083 A1 11/2008 Piao
 2009/0119863 A1 5/2009 Gallegos
 2009/0162131 A1 6/2009 Thorpe et al.
 2010/0054844 A1 3/2010 Thorpe
 2013/0017010 A1 1/2013 Liu
 2013/0199558 A1 * 8/2013 Feller A45D 33/00
 132/200
 2014/0331429 A1 11/2014 Lim
 2015/0053233 A1 2/2015 Lim
 2015/0055998 A1 2/2015 Lim et al.
 2015/0101630 A1 4/2015 Kodama
 2015/0121638 A1 5/2015 Lim
 2015/0282594 A1 10/2015 Lim
 2016/0007718 A1 1/2016 Villarreal et al.
 2016/0015150 A1 1/2016 Casasanta, III
 2016/0015373 A1 * 1/2016 Russo A61B 17/00491
 604/290
 2016/0051028 A1 2/2016 Lahousse et al.
 2016/0113375 A1 4/2016 Lim
 2017/0198153 A1 * 7/2017 Lee C23F 11/02

FOREIGN PATENT DOCUMENTS

CN 303589761 * 2/2016
 CN 303884779 * 10/2016
 CN 303966353 * 12/2016
 GB 302257592 * 12/2012
 JP 2003135140 A 5/2003
 JP D1493155 * 3/2014
 KR 300528649.0000 * 5/2009
 KR 300528650.0000 * 5/2009
 WO 2009120234 A1 10/2009

* cited by examiner

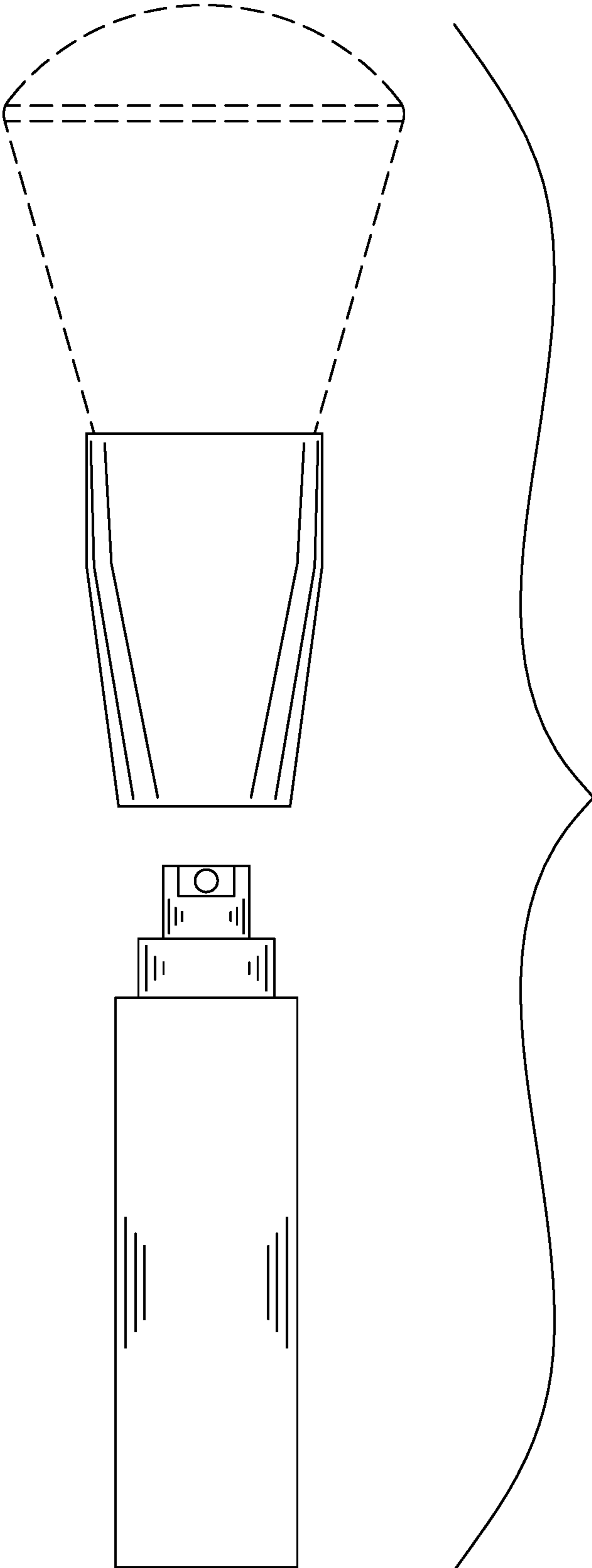


FIG. 1

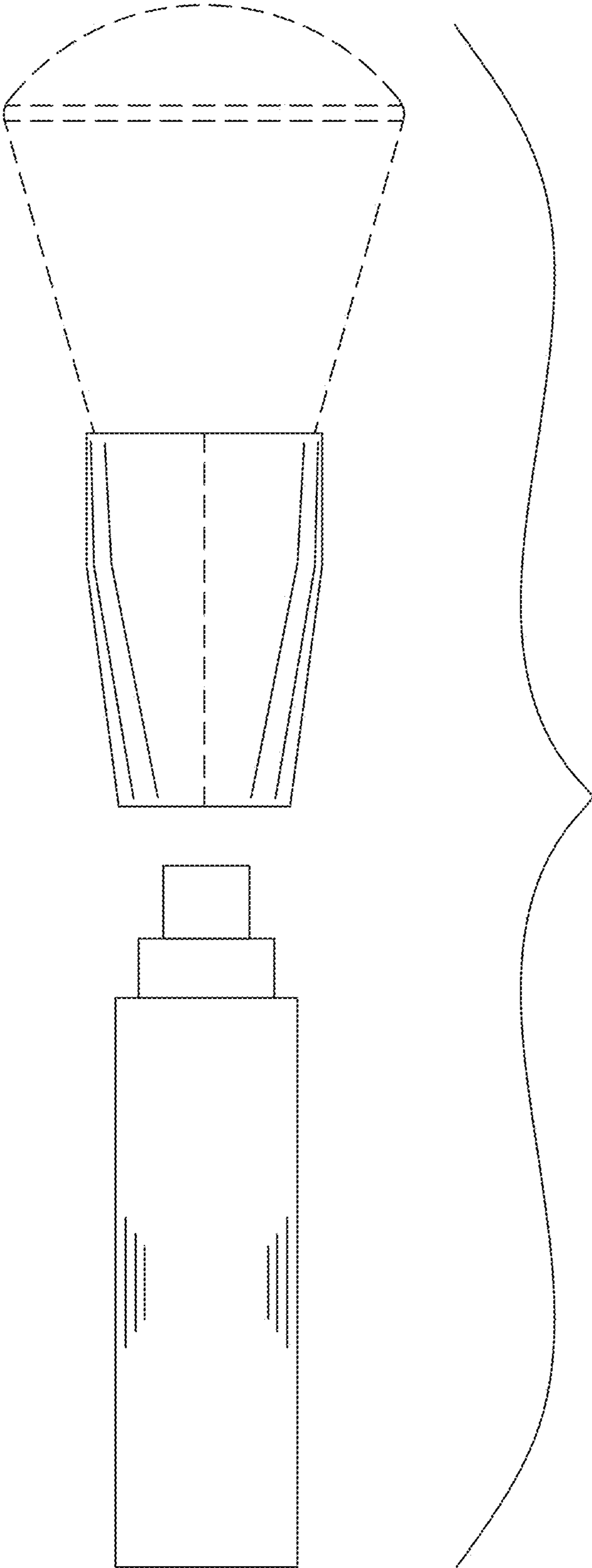


FIG. 2

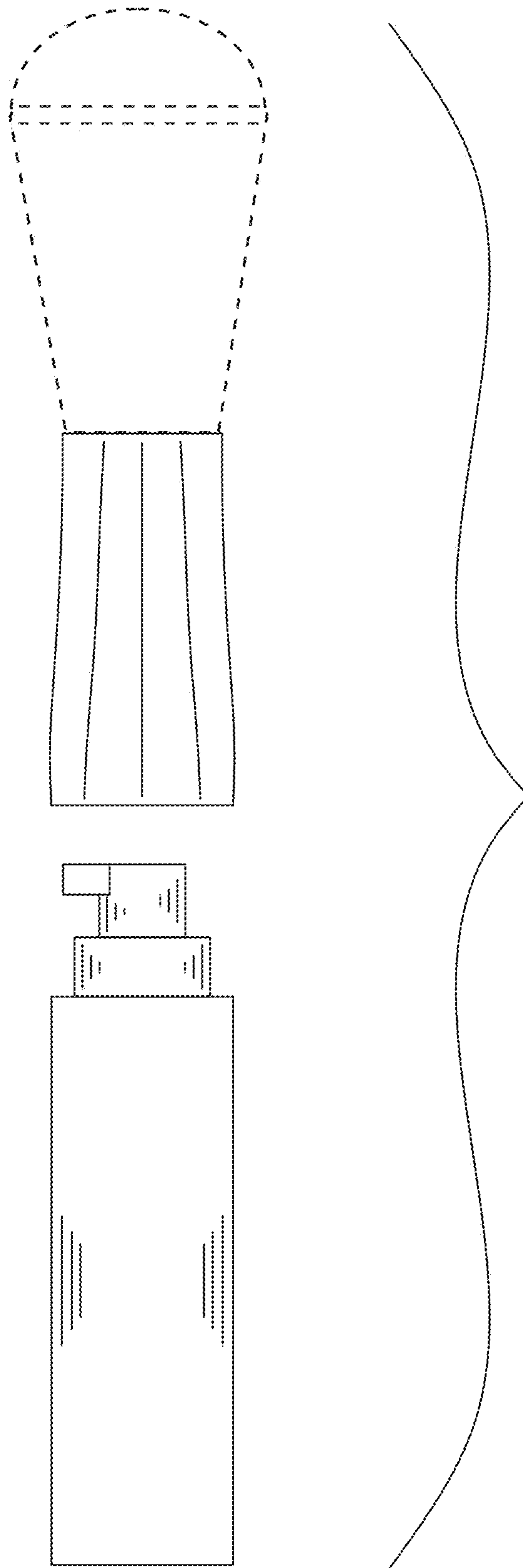


FIG. 3

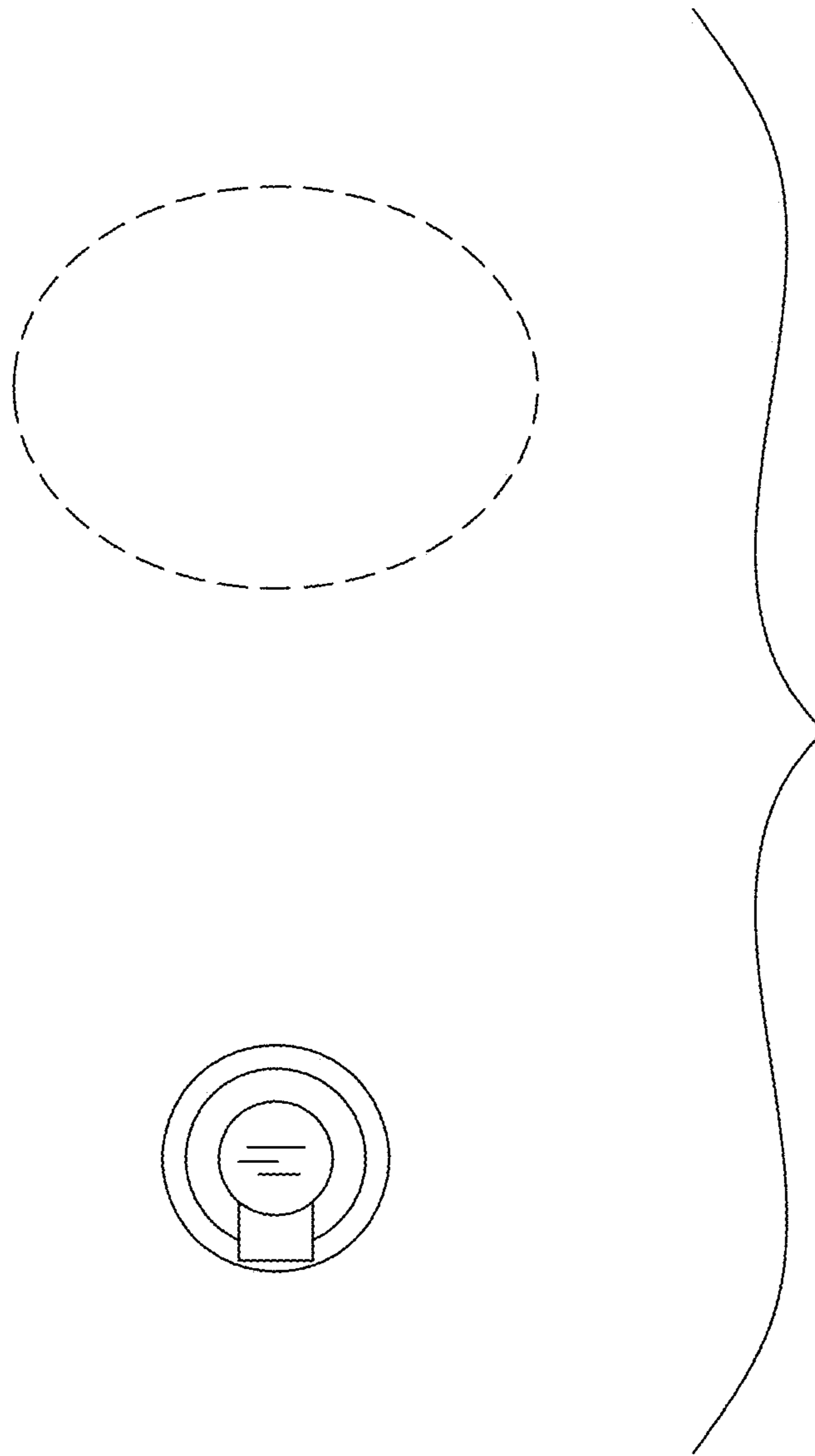


FIG. 4

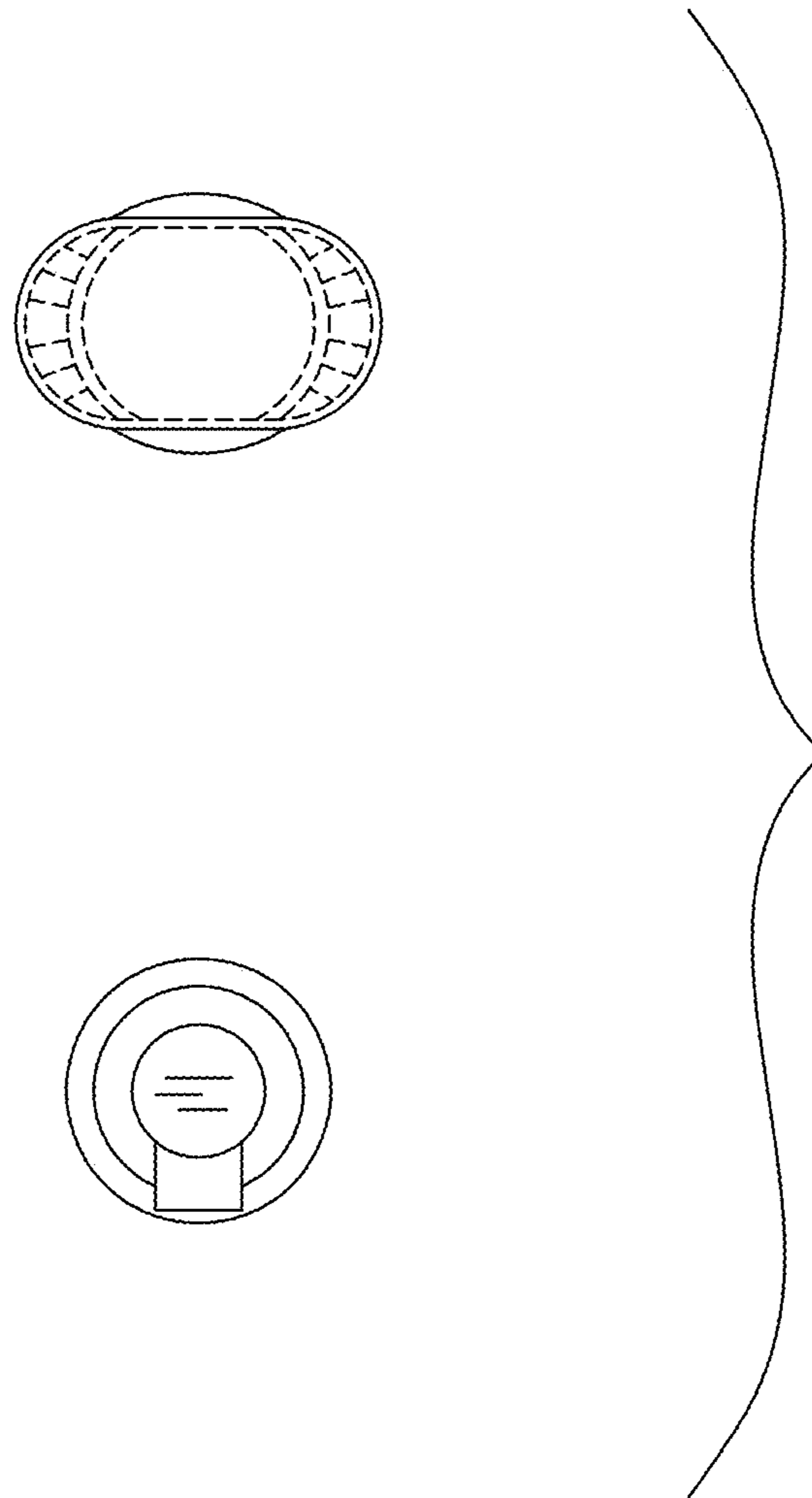


FIG. 5

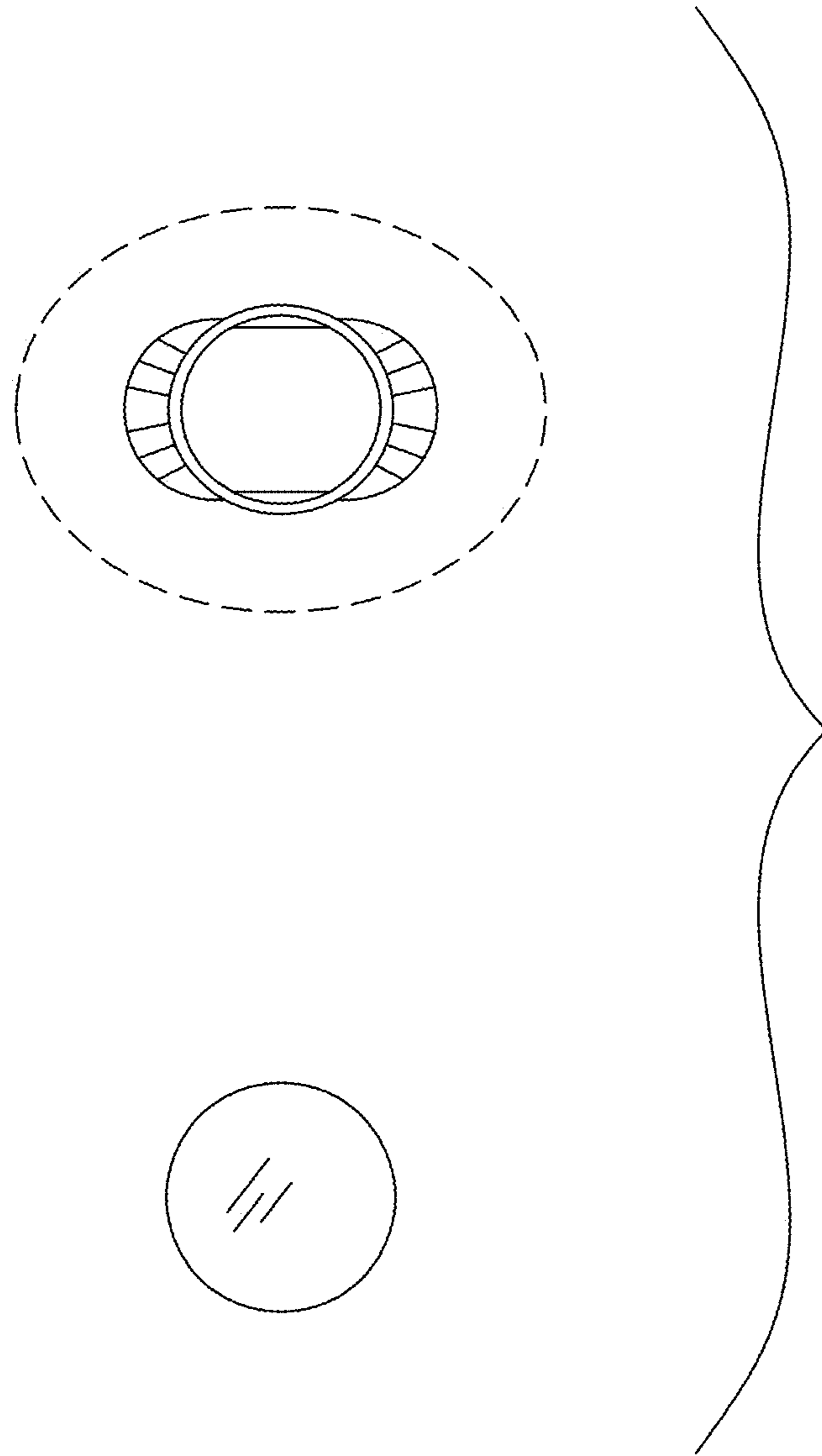


FIG. 6

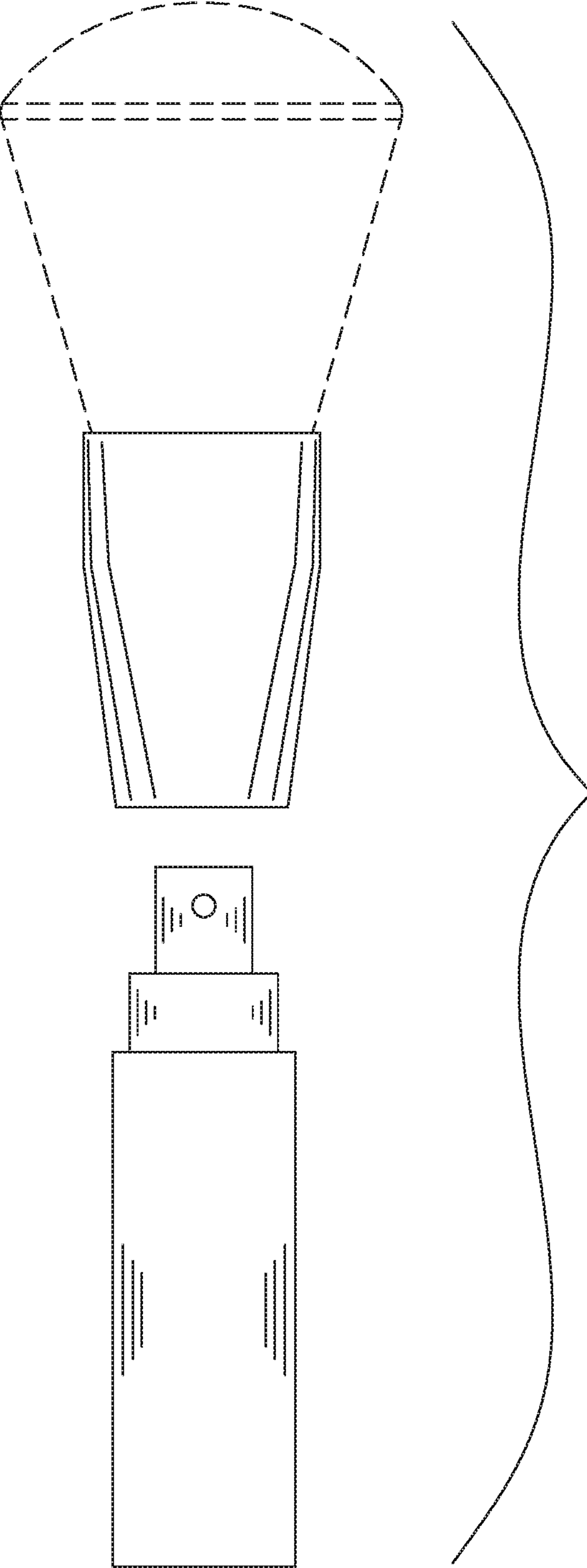


FIG. 7

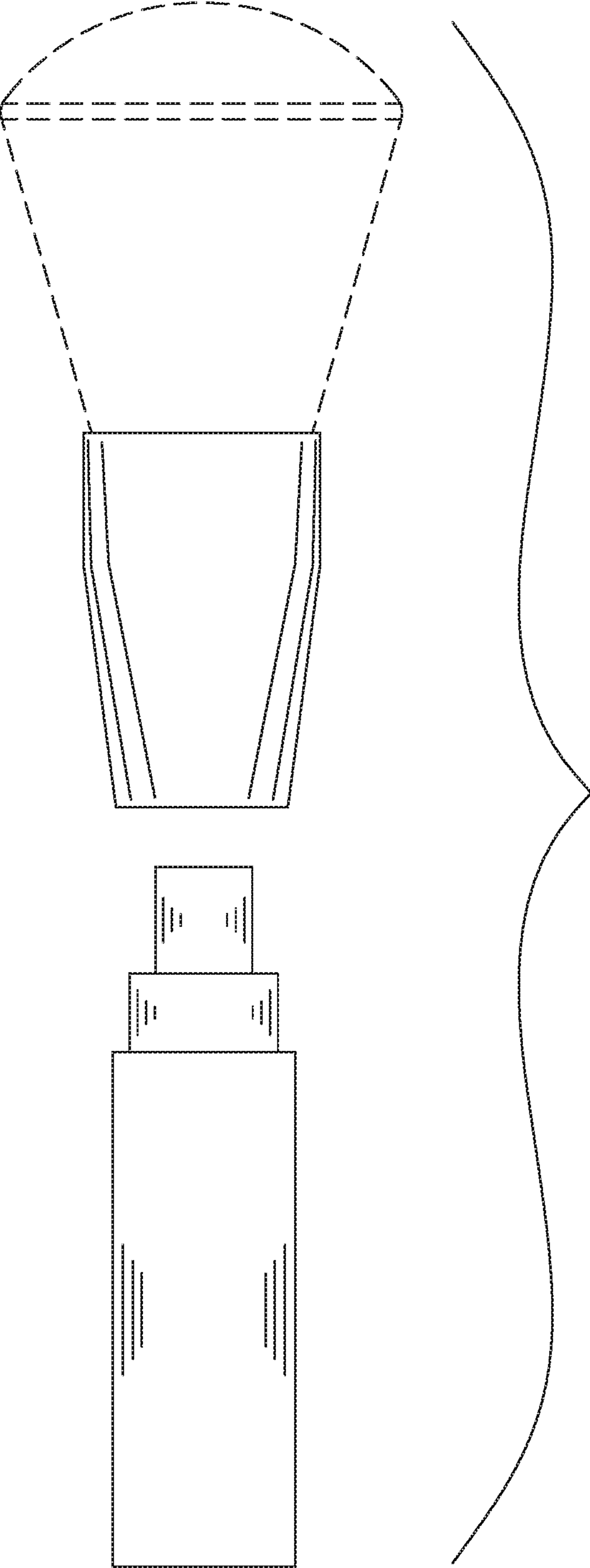


FIG. 8

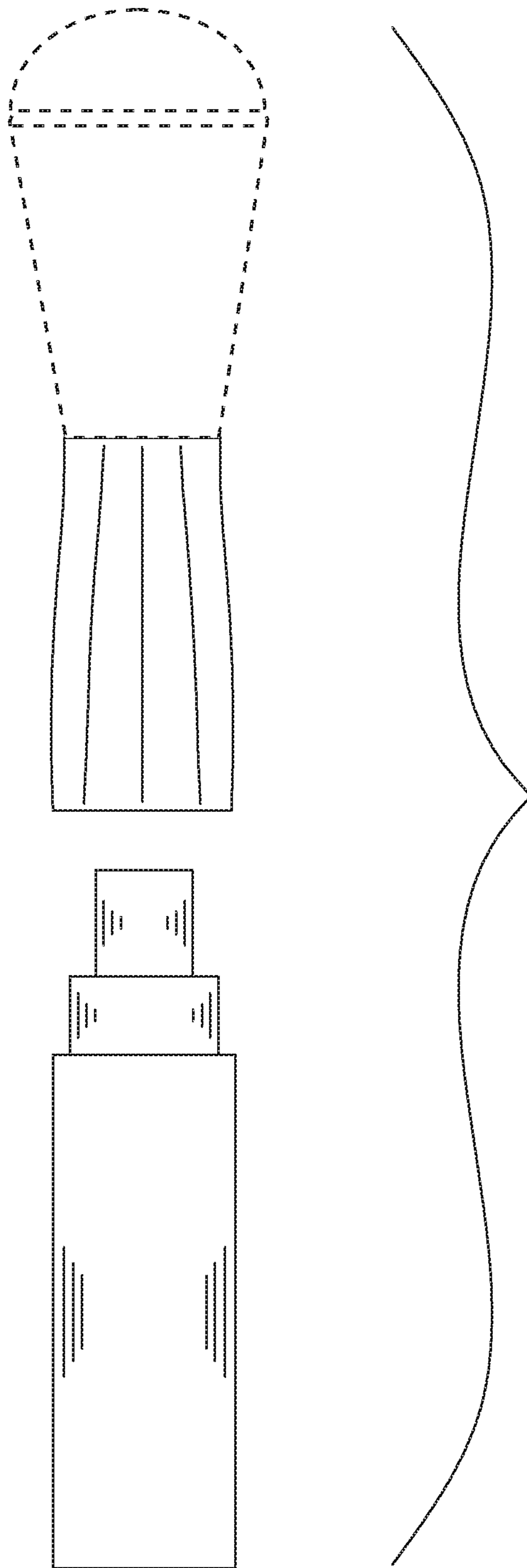


FIG. 9

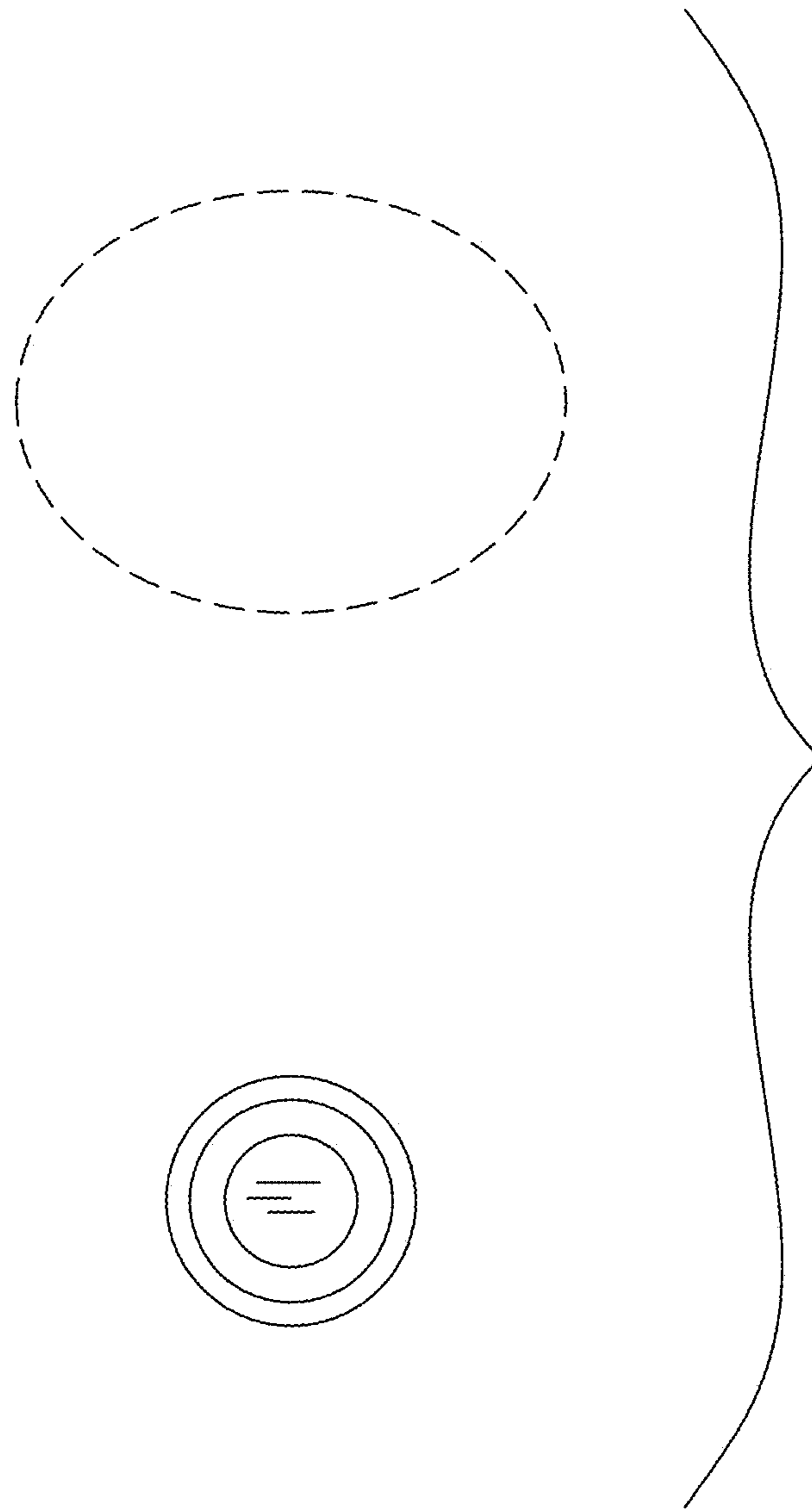


FIG. 10

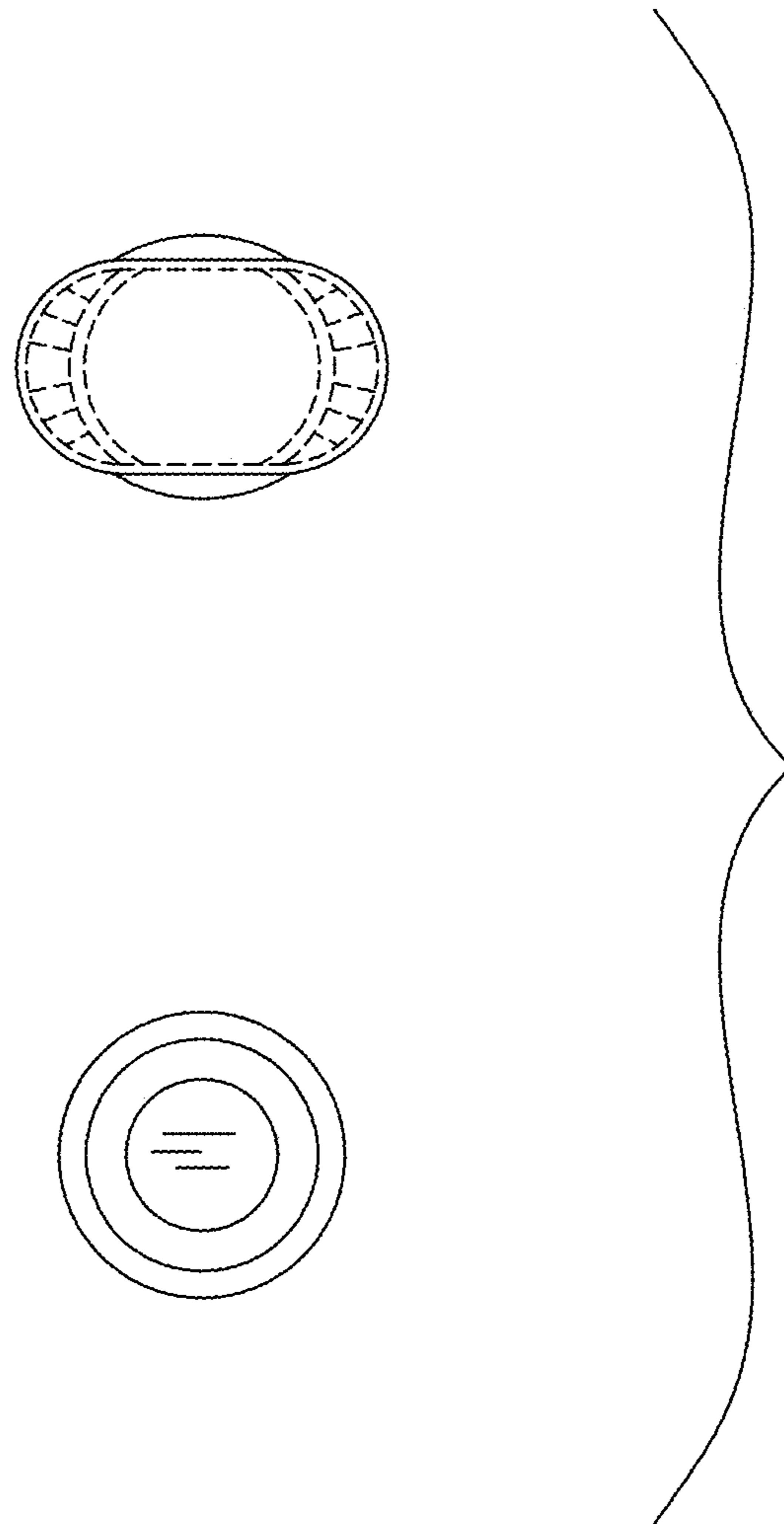


FIG. 11

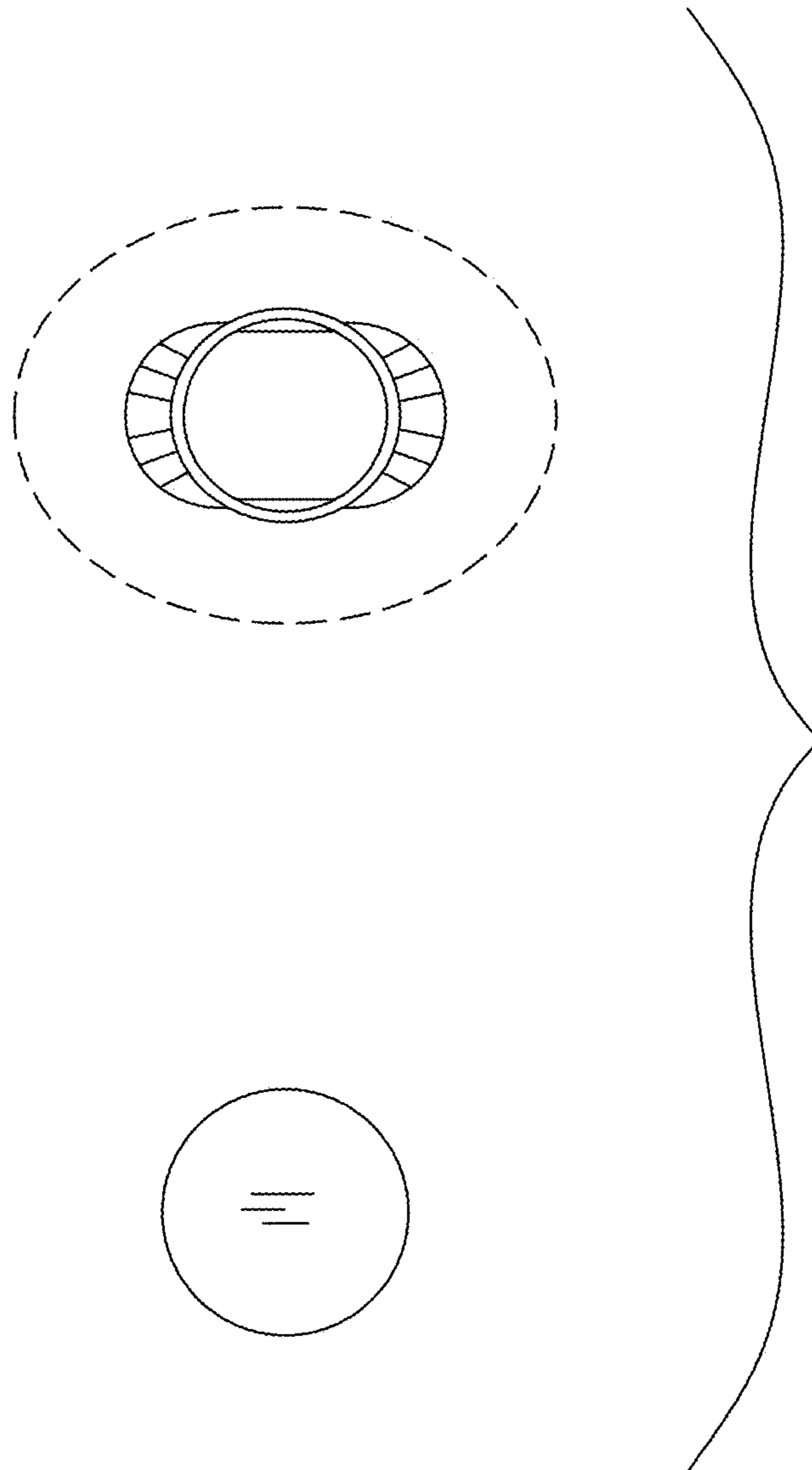


FIG. 12

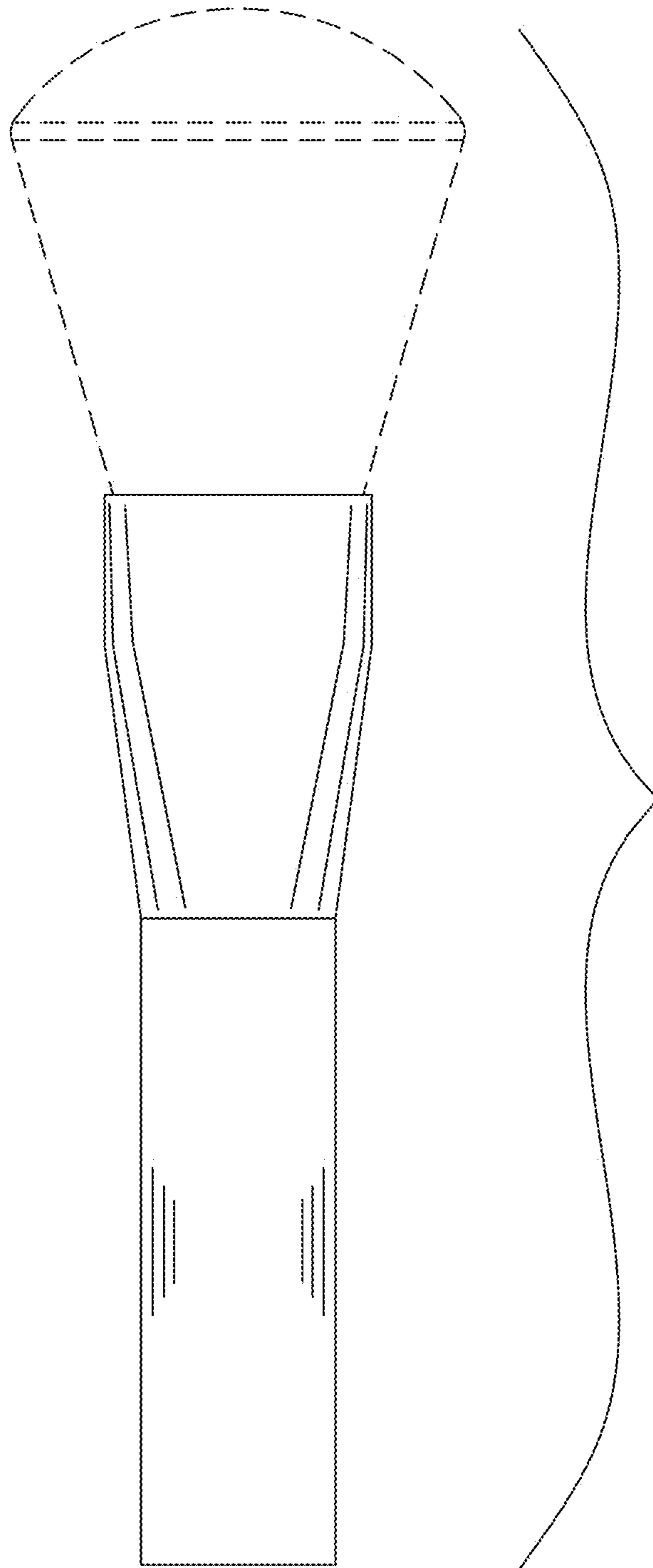


FIG. 13