



US00D884473S

(12) **United States Design Patent** (10) **Patent No.:** **US D884,473 S**  
**Tse et al.** (45) **Date of Patent:** **\*\* May 19, 2020**

(54) **BOTTLE LID**

(71) Applicant: **Berlin Packaging, LLC**, Chicago, IL (US)

(72) Inventors: **Kieron Tse**, Mt. Prospect, IL (US); **Brett Niggel**, Chicago, IL (US); **Shar Puskala**, Chicago, IL (US); **Andrew Sanguinet**, La Grange Park, IL (US)

(73) Assignee: **Berlin Packaging, LLC**, Chicago, IL (US)

(\*\*) Term: **15 Years**

(21) Appl. No.: **29/689,944**

(22) Filed: **May 3, 2019**

**Related U.S. Application Data**

(62) Division of application No. 29/622,004, filed on Oct. 13, 2017.

(51) **LOC (12) Cl.** ..... **09-07**

(52) **U.S. Cl.**  
USPC ..... **D9/447**

(58) **Field of Classification Search**  
USPC ..... D9/414, 421, 447, 449, 516, 518, 520,  
D9/529, 530, 549, 550, 552, 557, 572,  
D9/575, 715

(Continued)

(56) **References Cited**

**U.S. PATENT DOCUMENTS**

D270,998 S \* 10/1983 Stark ..... D9/416  
D283,397 S \* 4/1986 Monod ..... D9/545

(Continued)

*Primary Examiner* — Shannon W Morgan

*Assistant Examiner* — Keith Frank

(74) *Attorney, Agent, or Firm* — Adam K. Sacharoff;  
Much Shelist, P.C.

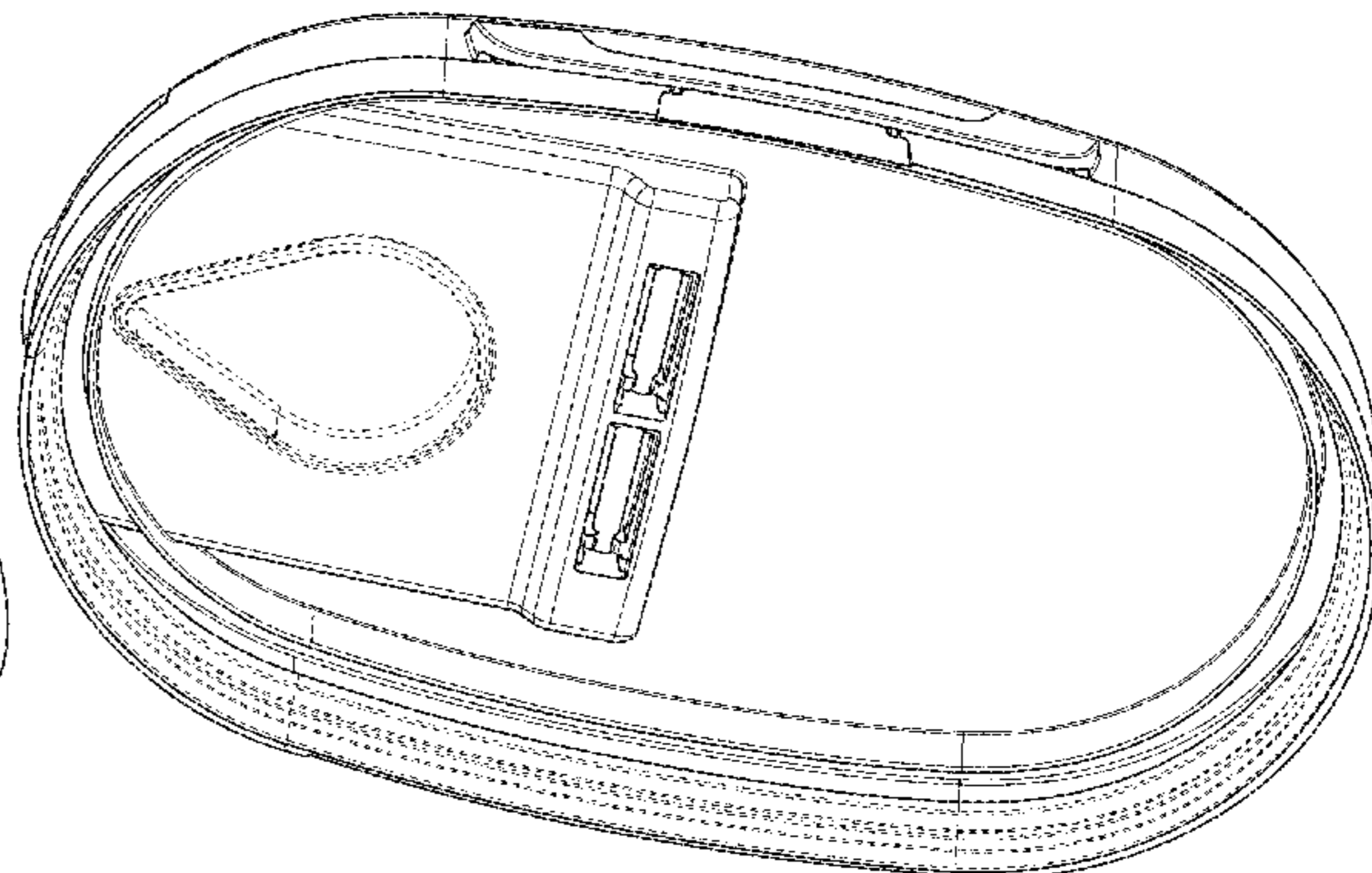
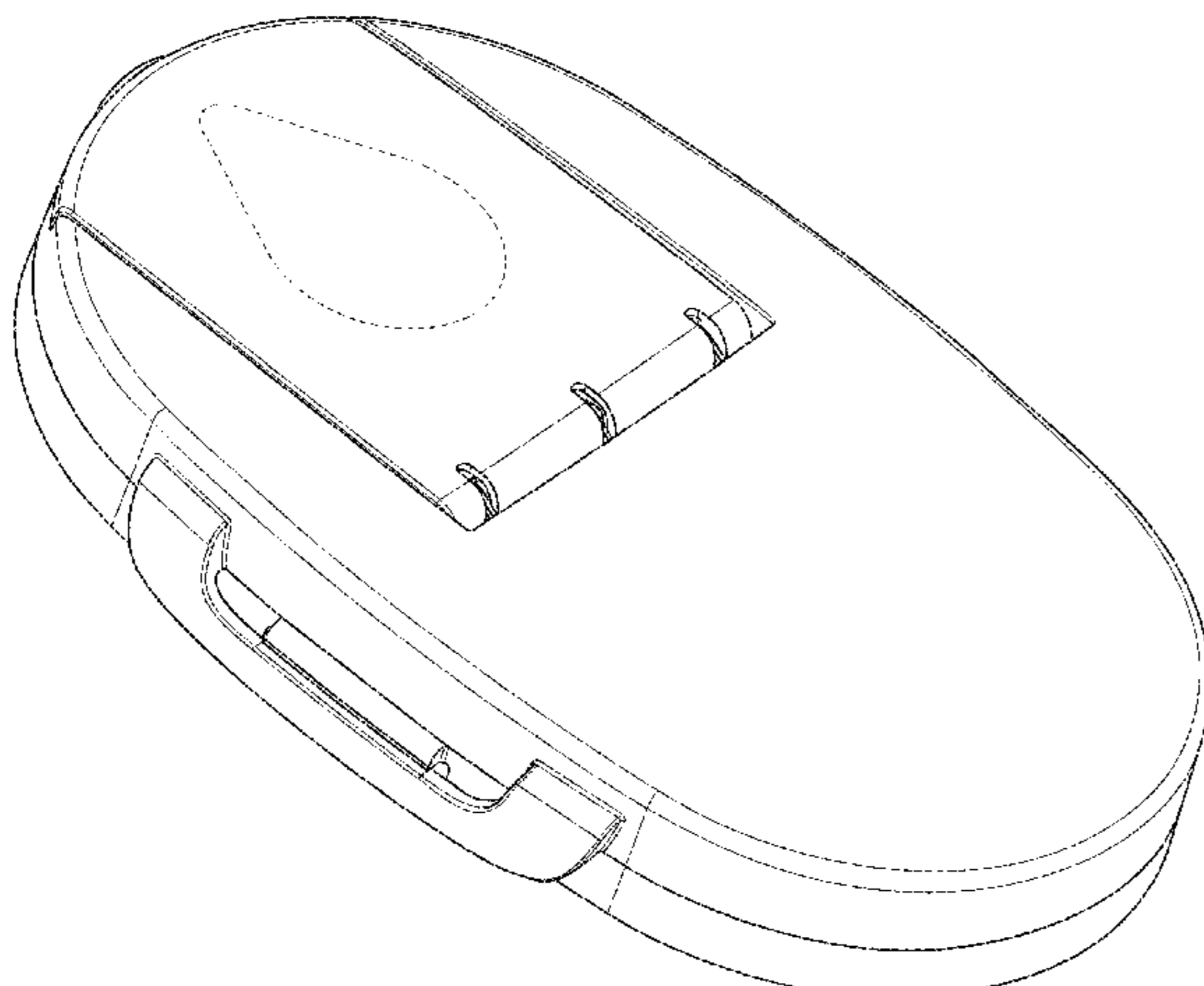
(57) **CLAIM**

The ornamental design for a bottle lid, as shown and described.

**DESCRIPTION**

FIG. 1 is a front left side perspective view showing the new design for a bottle lid;  
FIG. 2 is a rear left side perspective view thereof;  
FIG. 3 is a front right side perspective view thereof;  
FIG. 4 is a rear left side perspective view thereof;  
FIG. 5 is a right side perspective view taken from underneath thereof;  
FIG. 6 is a left side perspective view taken from underneath thereof;  
FIG. 7 is a front elevation view thereof;  
FIG. 8 is a rear elevation view thereof;  
FIG. 9 is a left side view thereof;  
FIG. 10 is a right side view thereof;  
FIG. 11 is a top plan view thereof;  
FIG. 12 is a bottom plan view thereof;  
FIG. 13 is a front left side perspective view thereof illustrating a pour cap in an open configuration;  
FIG. 14 is a rear left side perspective view thereof;  
FIG. 15 is a front right side perspective view thereof;  
FIG. 16 is a rear right side perspective view thereof;  
FIG. 17 is a front elevation view thereof;  
FIG. 18 is a rear elevation view thereof;  
FIG. 19 is a left side view thereof;  
FIG. 20 is a right side view thereof;  
FIG. 21 is a top plan view thereof;  
FIG. 22 is a front left side perspective view thereof illustrating a full cap in an open configuration;  
FIG. 23 is a rear left side perspective view thereof;  
FIG. 24 is a right side perspective view taken from underneath thereof;  
FIG. 25 is a front elevation view thereof;  
FIG. 26 is a rear elevation view thereof;  
FIG. 27 is a left side view thereof;  
FIG. 28 is a right side view thereof;  
FIG. 29 is a top plan view thereof; and  
FIG. 30 is a bottom plan view thereof.

(Continued)



The broken lines in the FIGS. form no part of the claimed design.

**1 Claim, 30 Drawing Sheets**

**(58) Field of Classification Search**

CPC ..... B65D 2543/00194; B65D 2543/00805;  
B65D 2543/00694; B65D 43/163; B65D  
83/06

See application file for complete search history.

**(56) References Cited**

U.S. PATENT DOCUMENTS

D450,586	S *	11/2001	Kick	.....	D7/596
D473,140	S *	4/2003	Gilliam	.....	D9/416
D492,200	S *	6/2004	Solowiejko	.....	D9/416
D513,452	S *	1/2006	Parve	.....	D9/435
D538,664	S *	3/2007	Solowiejko	.....	D9/518
D539,647	S *	4/2007	Solowiejko	.....	D9/447
D599,203	S *	9/2009	Wilson	.....	D9/449
D623,064	S *	9/2010	Salmon	.....	D9/524
D640,926	S *	7/2011	Turchi	.....	D9/529
8,286,817	B2 *	10/2012	Wilson	.....	B65D 47/0828 220/254.2
D743,267	S *	11/2015	Rathbone	.....	D9/543
D743,268	S *	11/2015	Rathbone	.....	D9/543
D763,681	S *	8/2016	Morgan	.....	D9/428
D770,296	S *	11/2016	Rothfos	.....	D9/432
9,511,890	B2 *	12/2016	Gill	.....	B65D 1/10
9,930,996	B2 *	4/2018	Wiggins	.....	A47J 47/06
D817,113	S *	5/2018	Wong	.....	D7/629
2005/0040168	A1 *	2/2005	Solowiejko	.....	B65D 21/022 220/254.2

\* cited by examiner

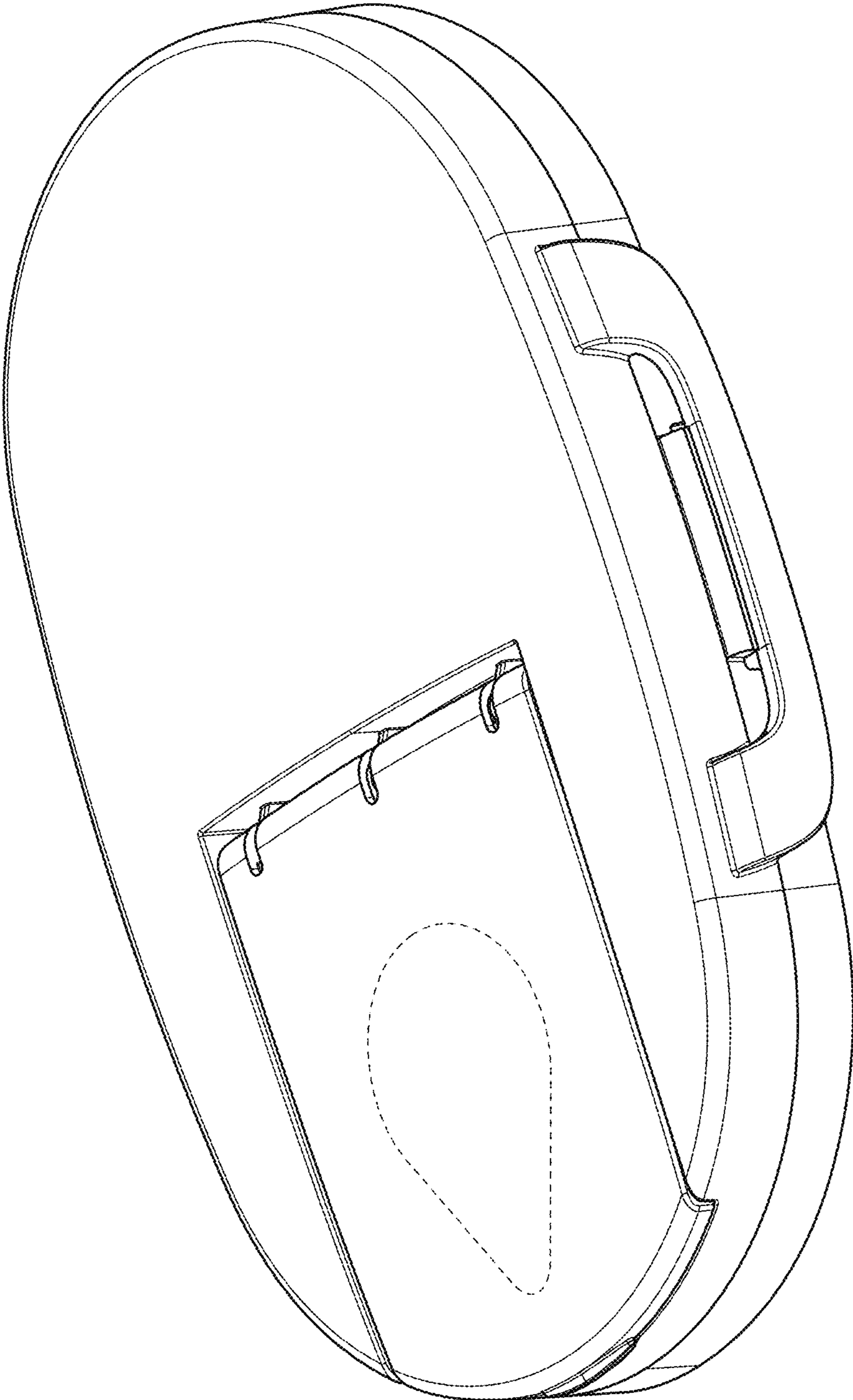


FIG. 1

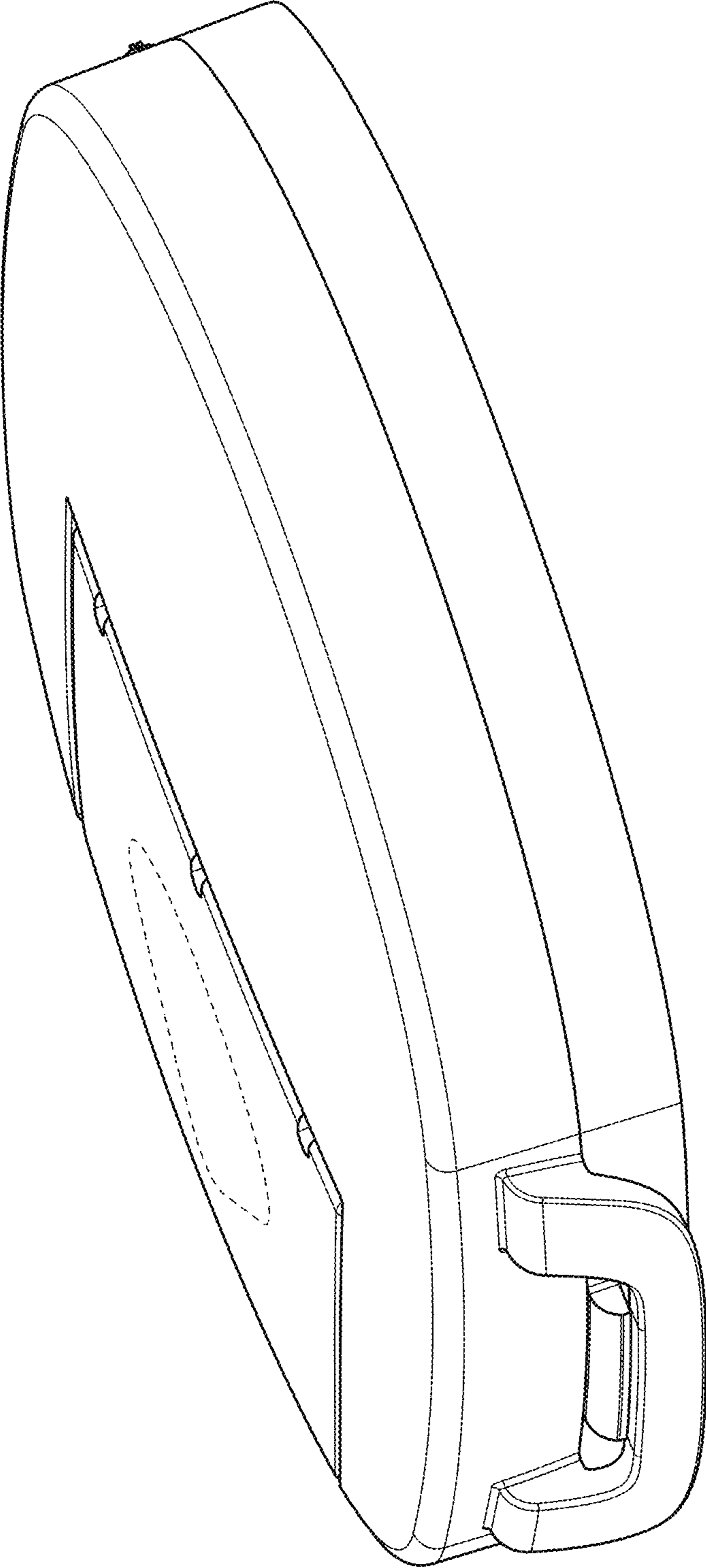


FIG. 2

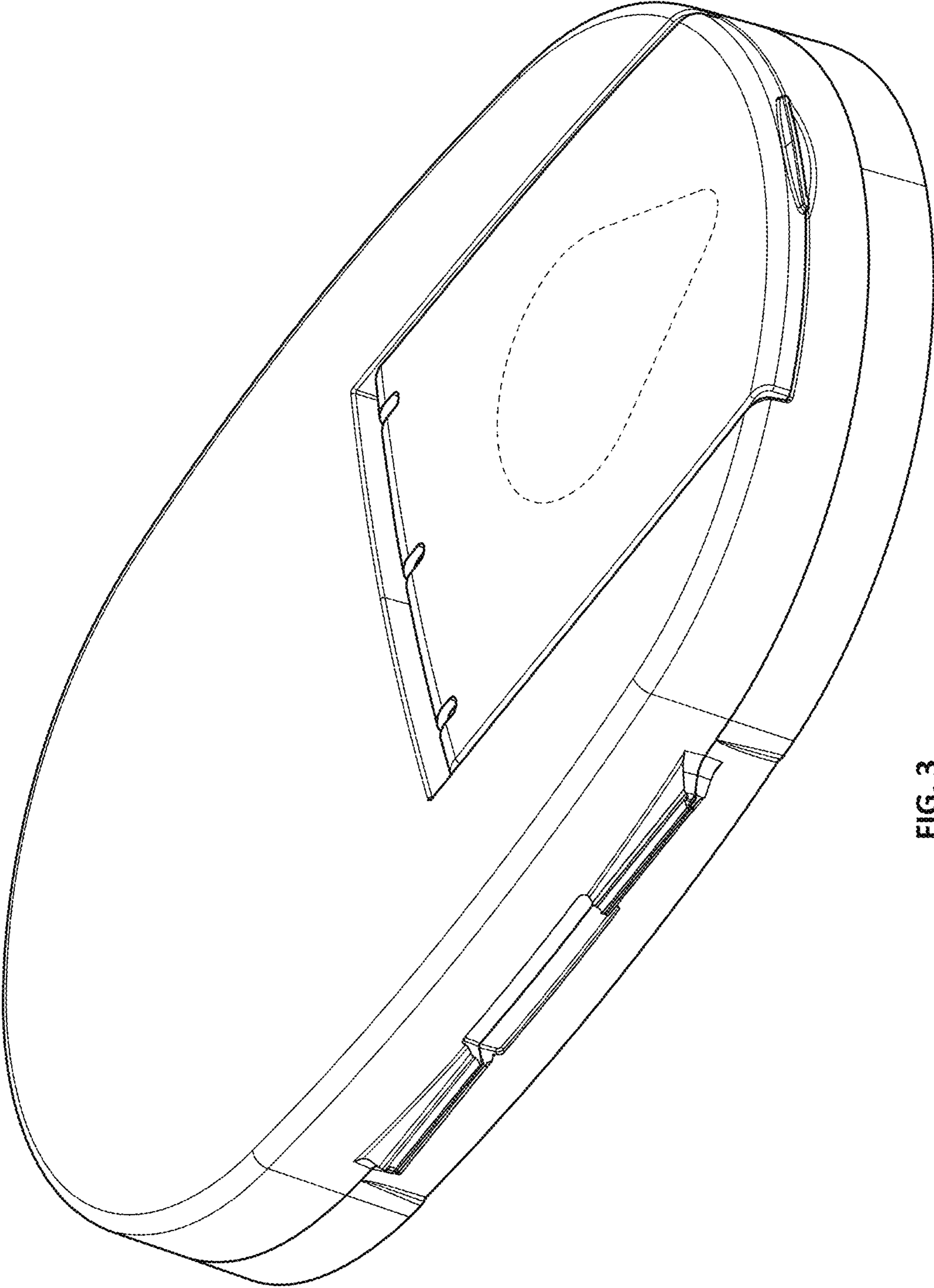


FIG. 3

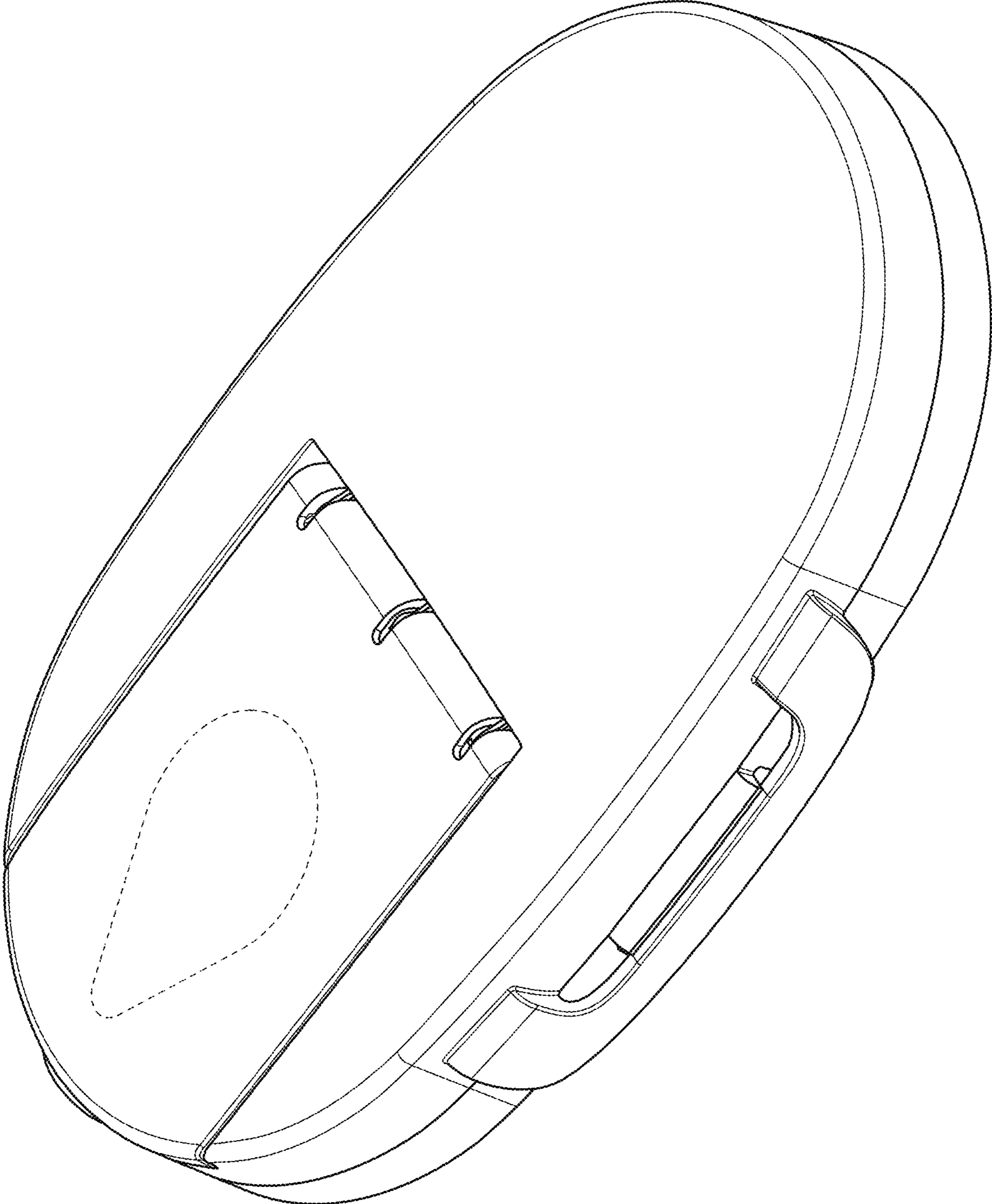


FIG. 4

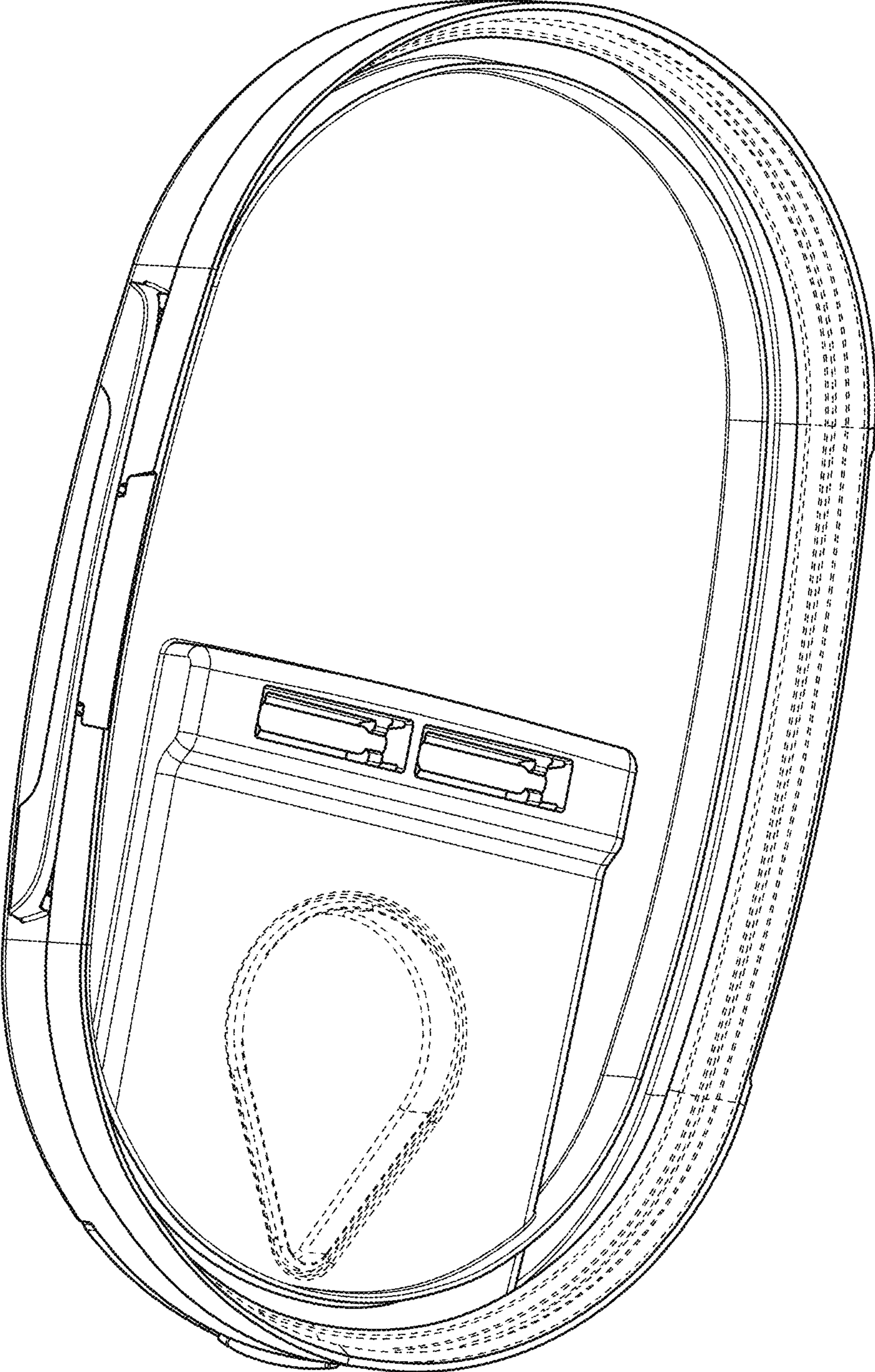


FIG. 5

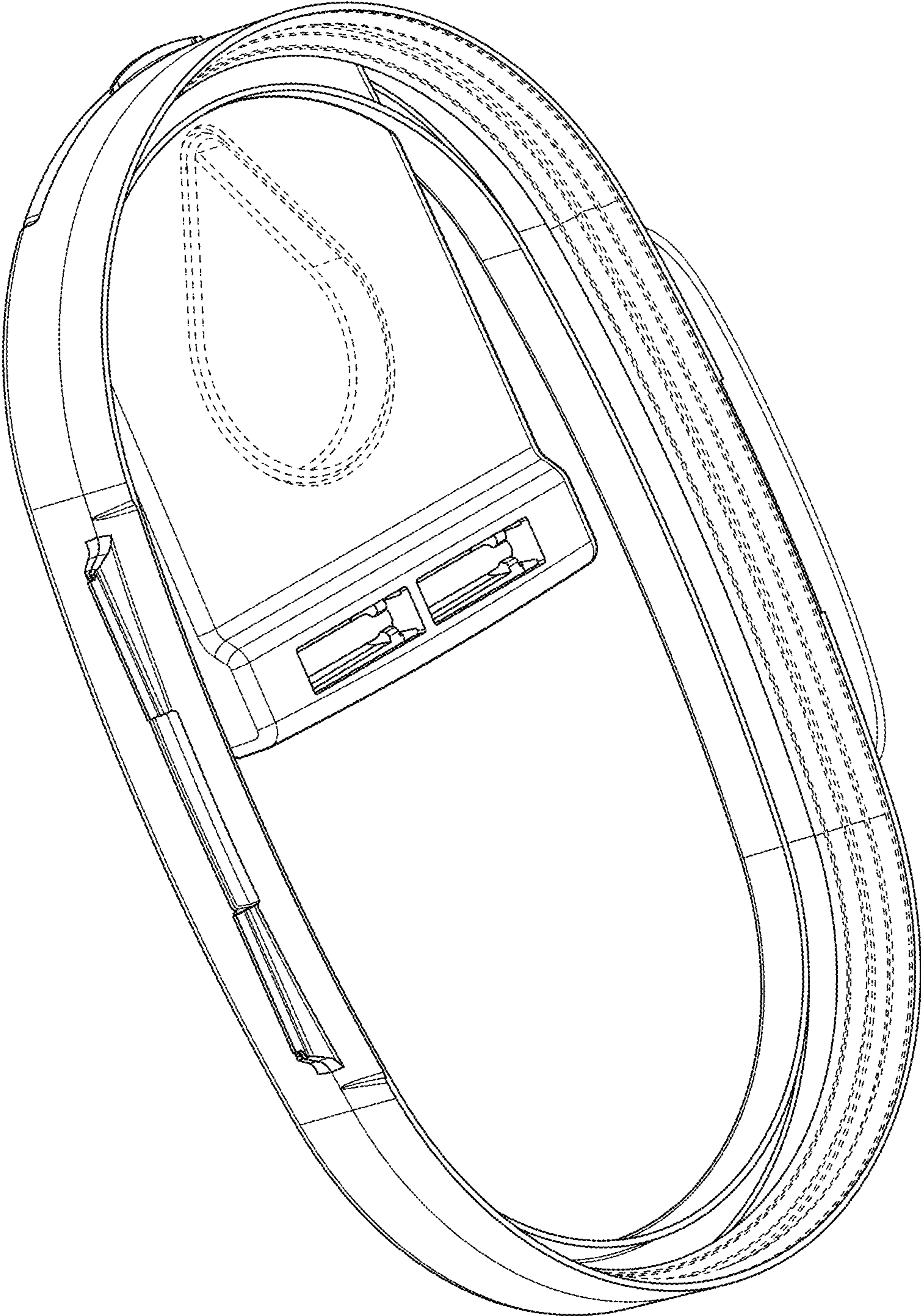


FIG. 6



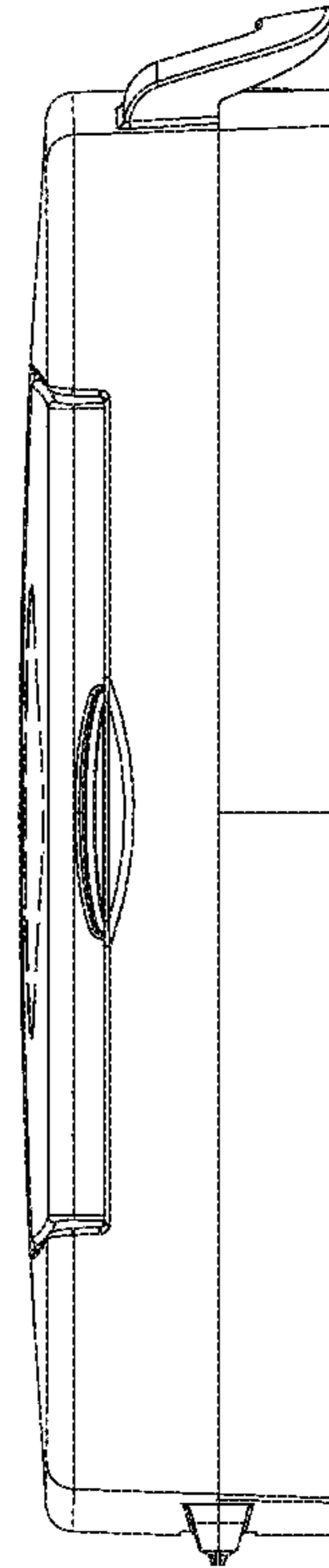


FIG. 7

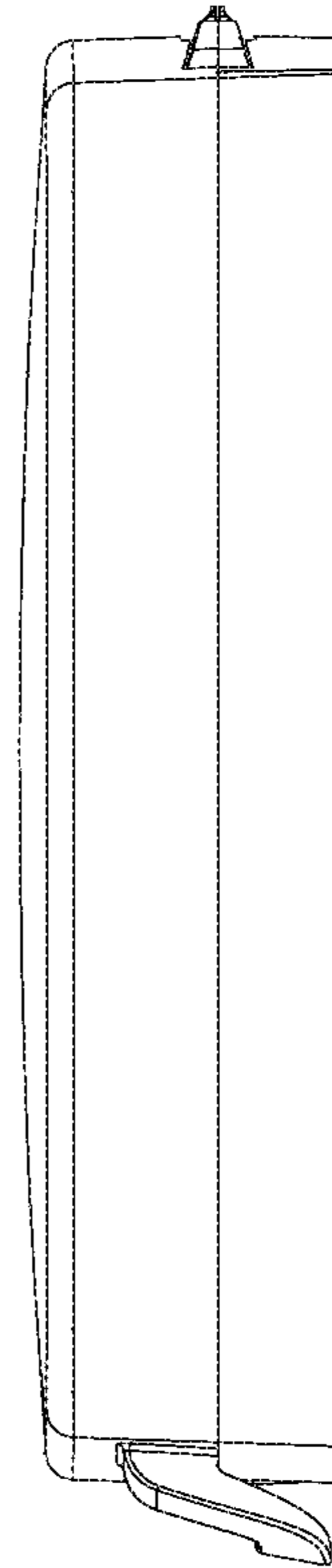


FIG. 8

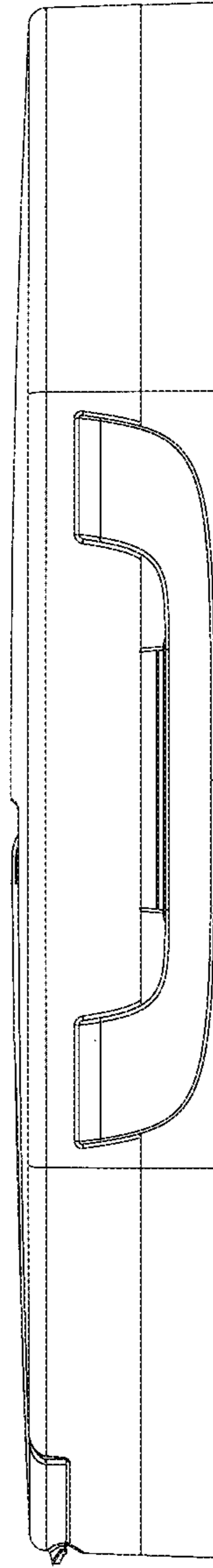


FIG. 9

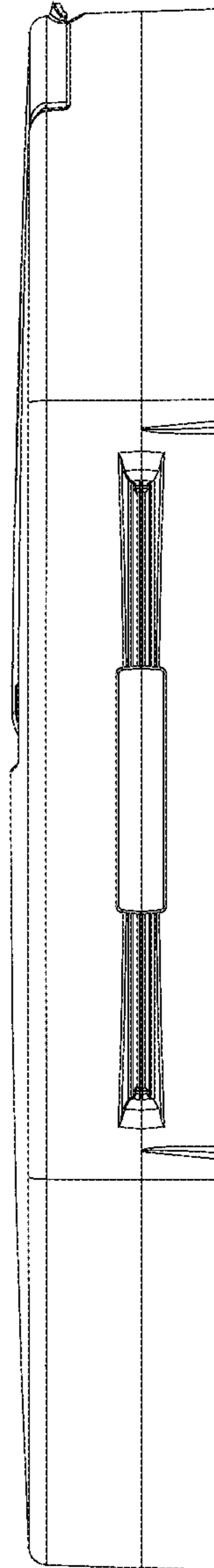


FIG. 10

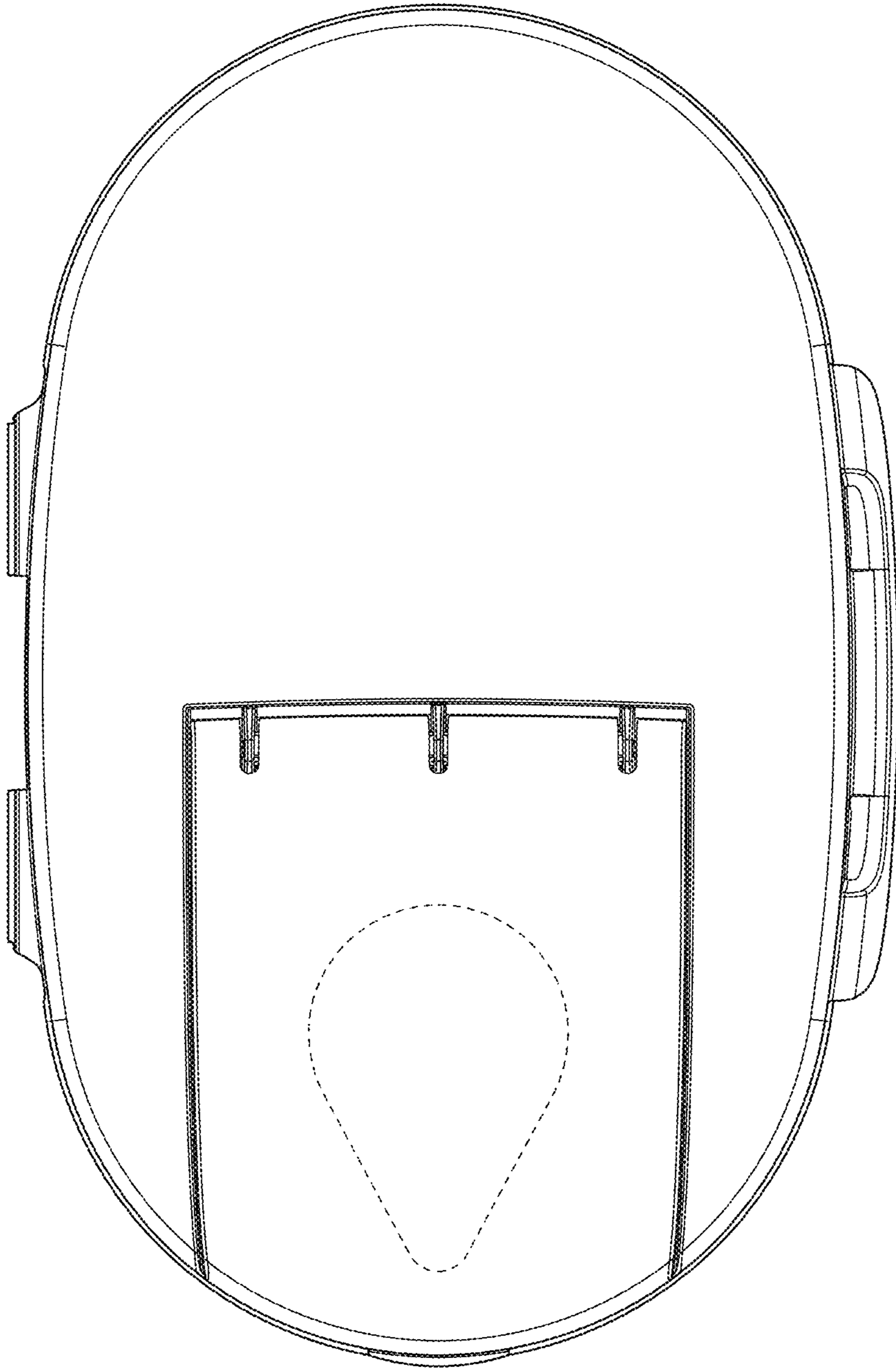


FIG. 11

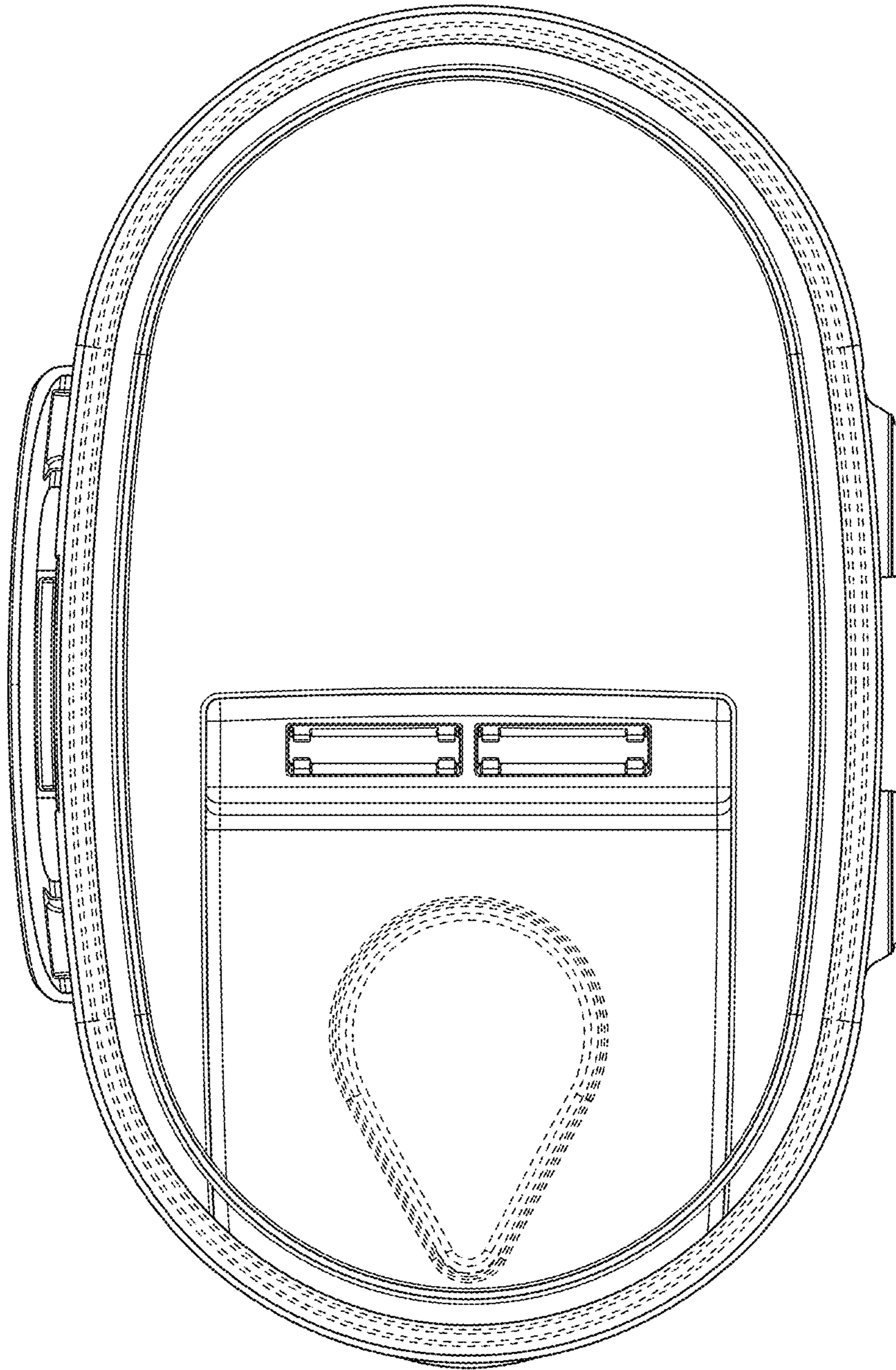


FIG. 12

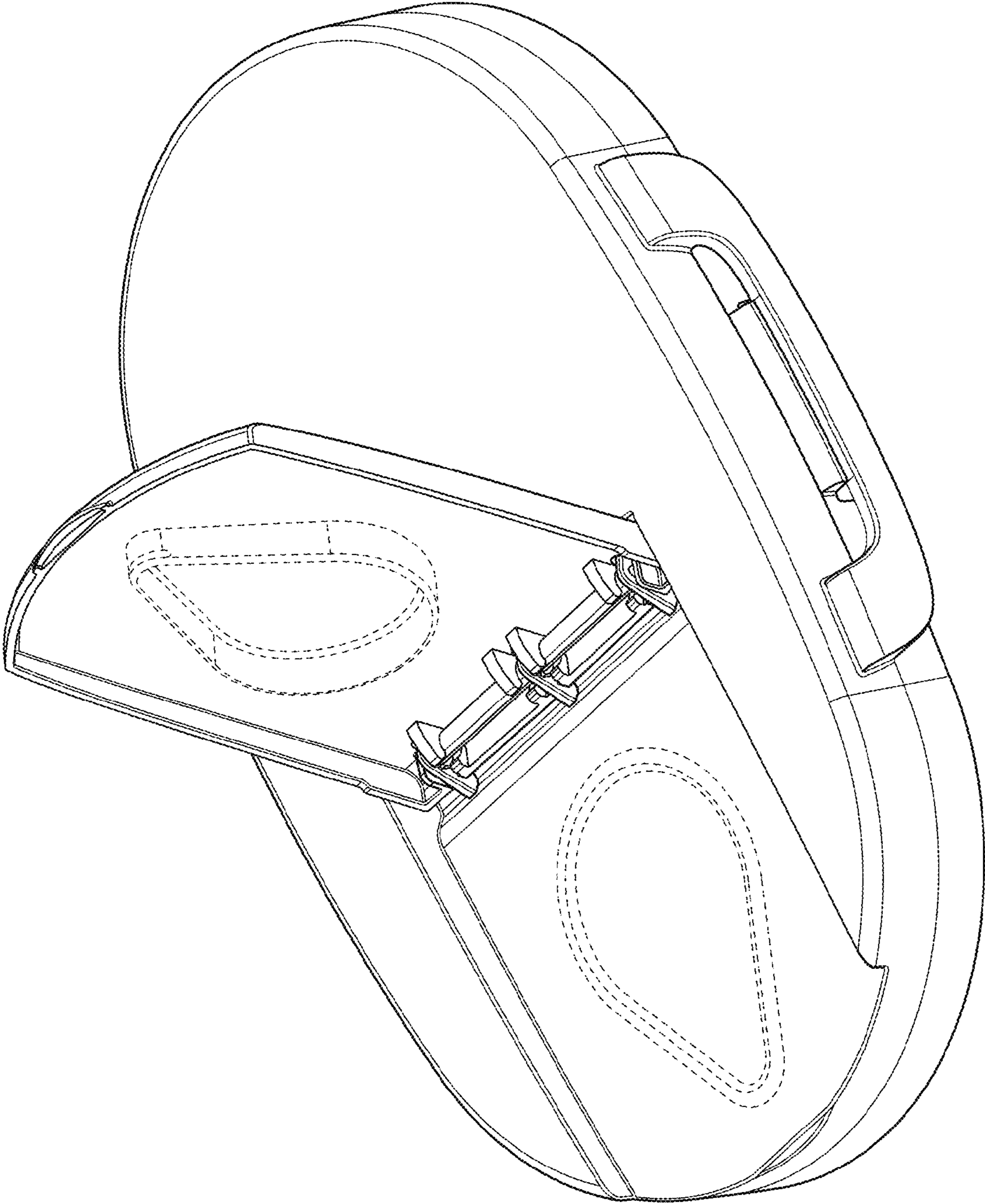


FIG. 13

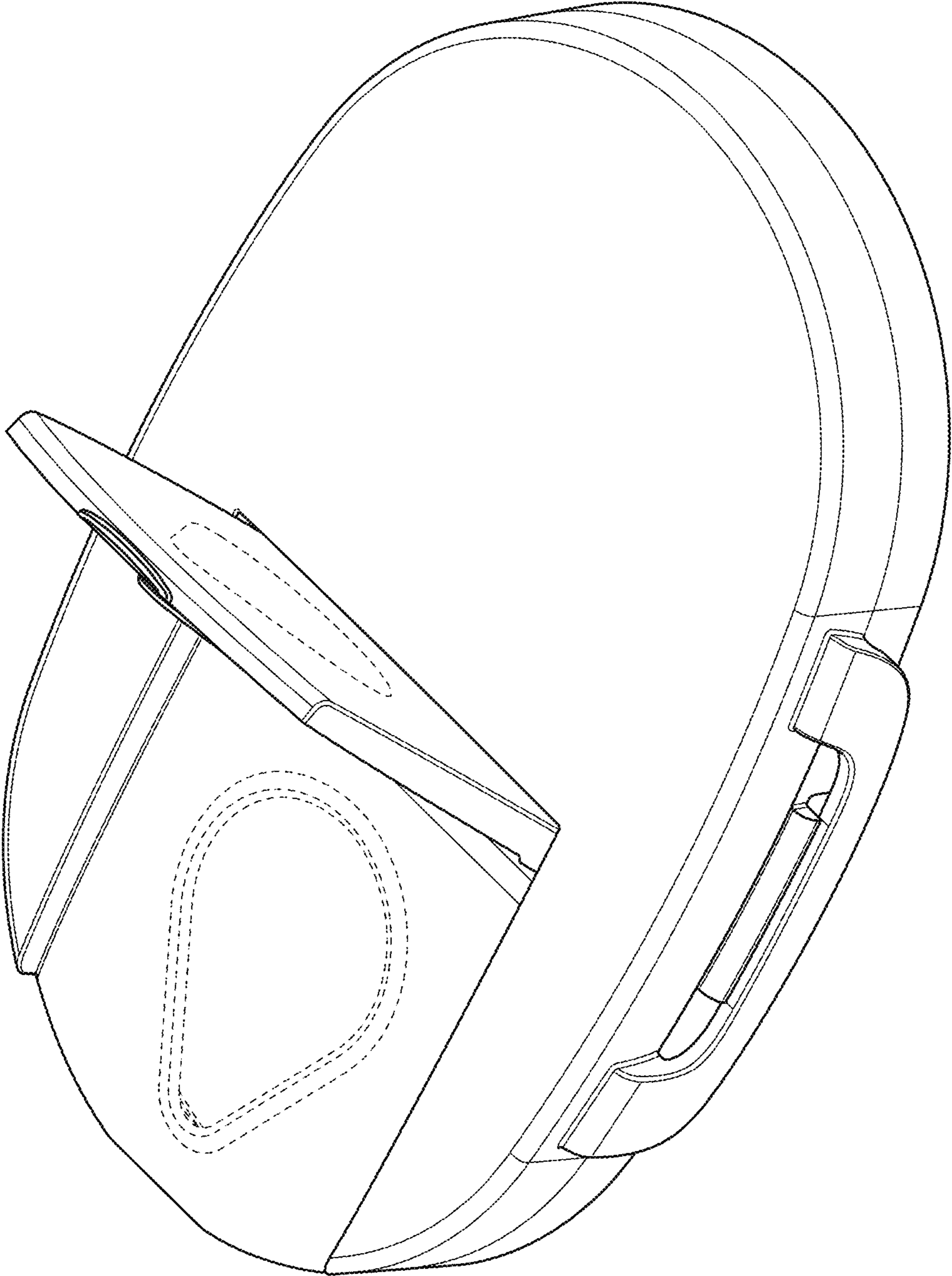


FIG. 14



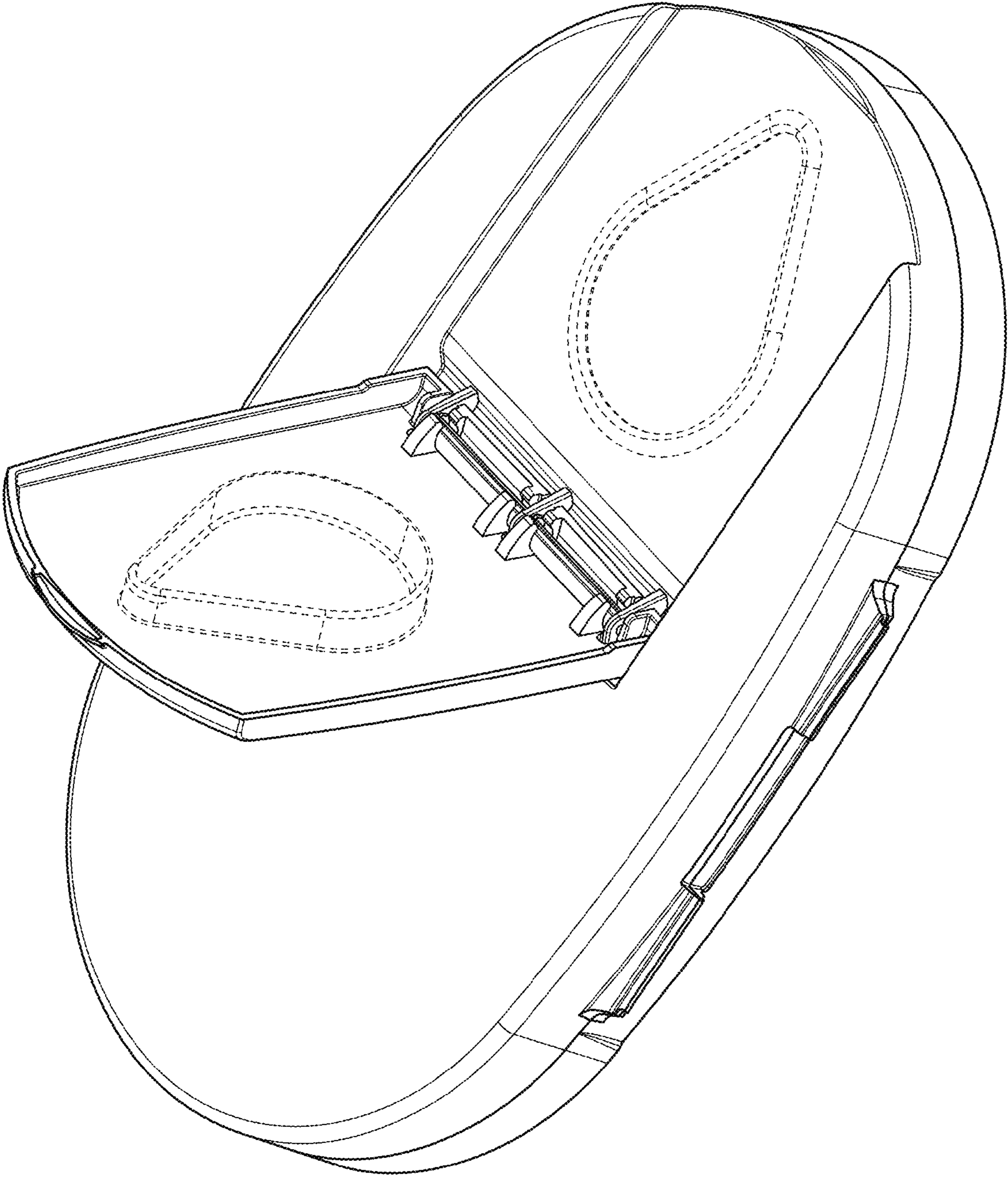


FIG. 15

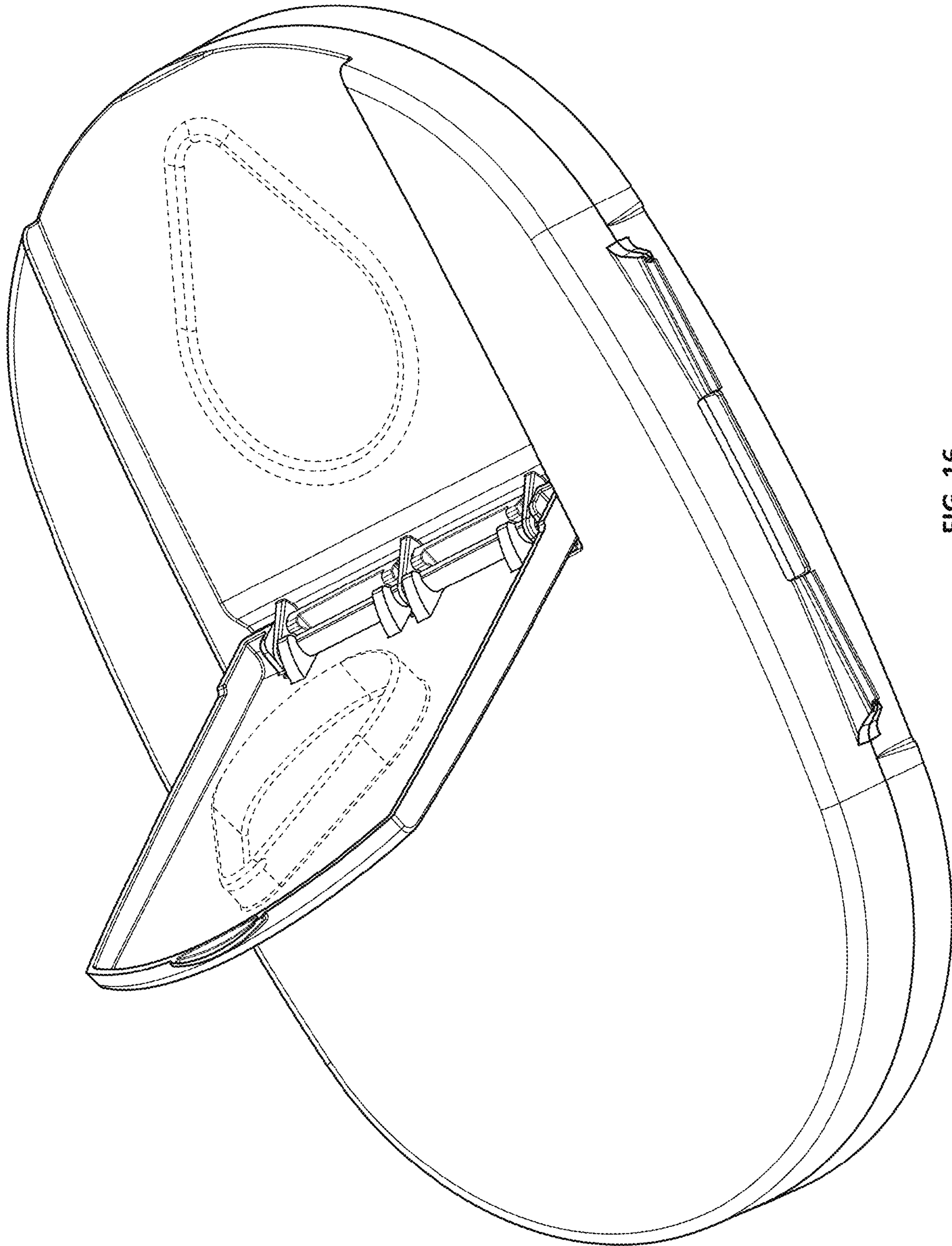


FIG. 16

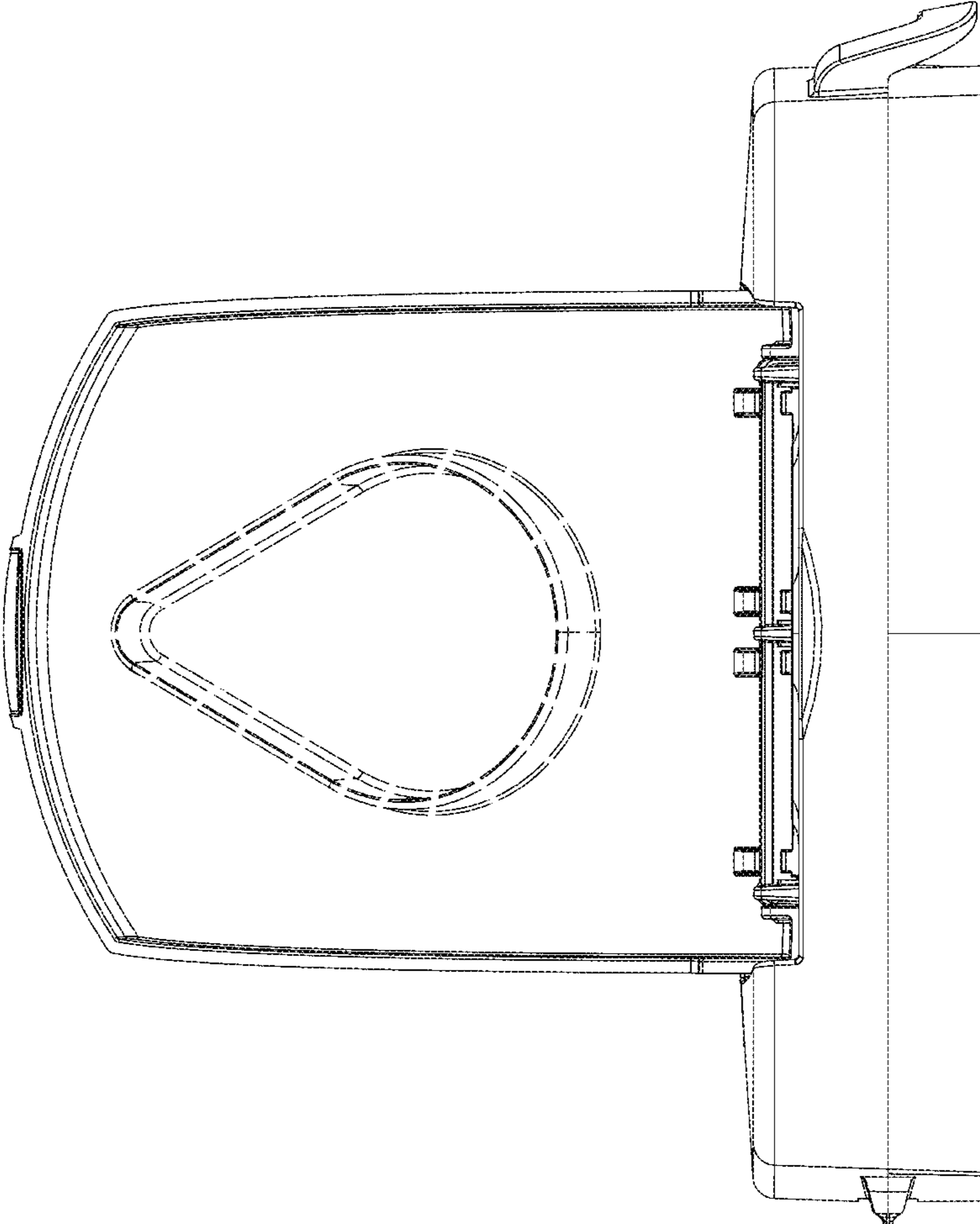


FIG. 17

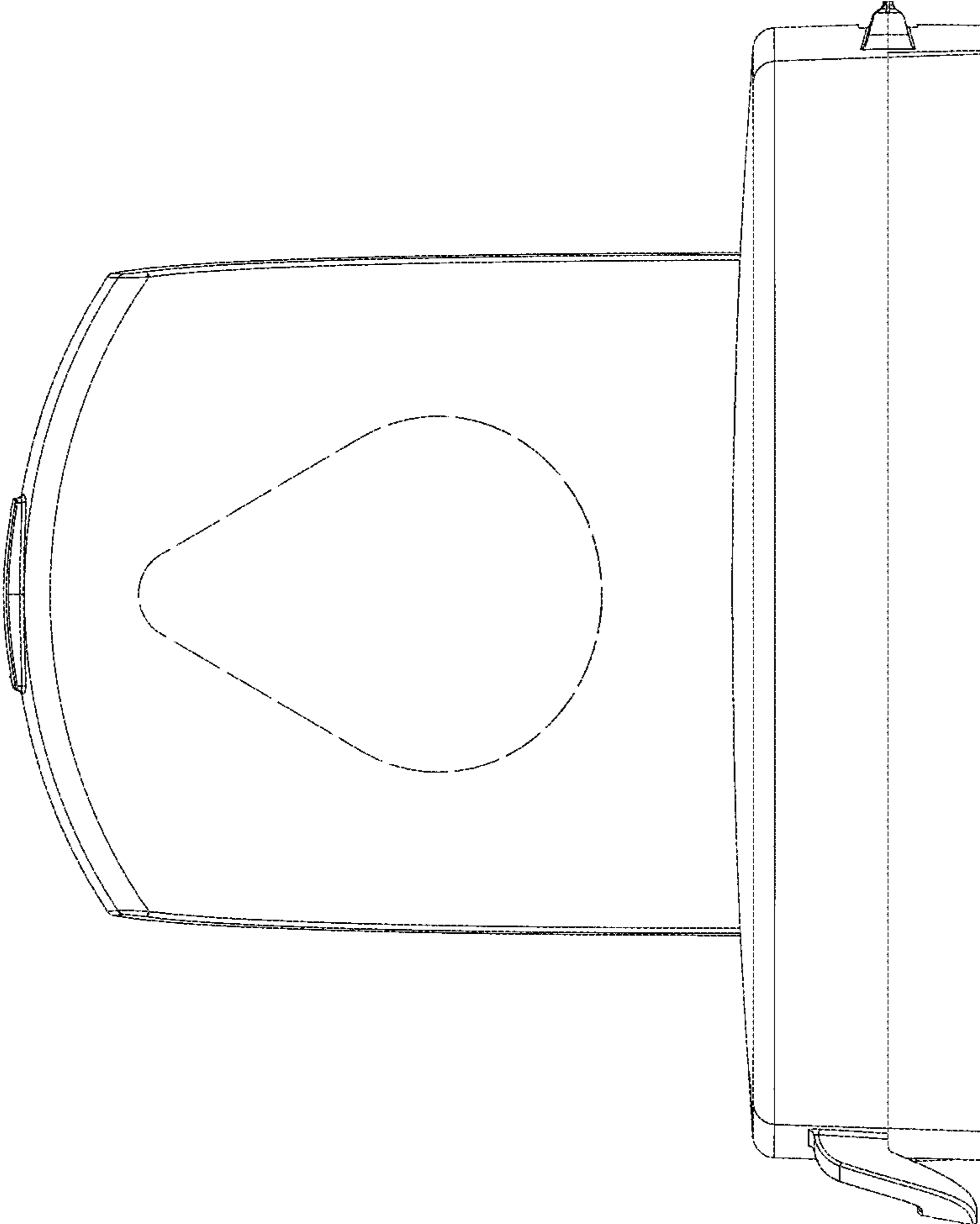


FIG. 18

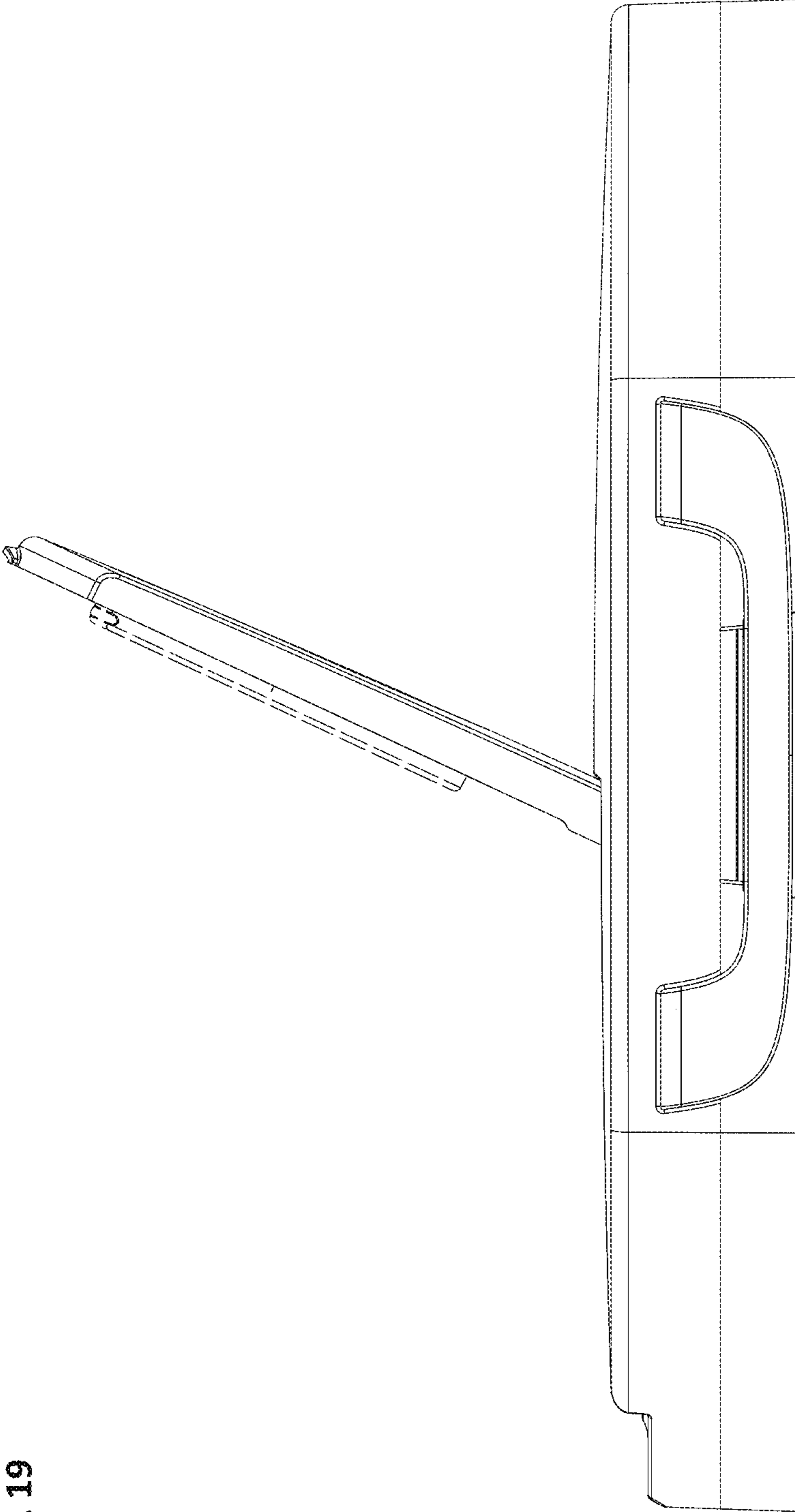


FIG. 19

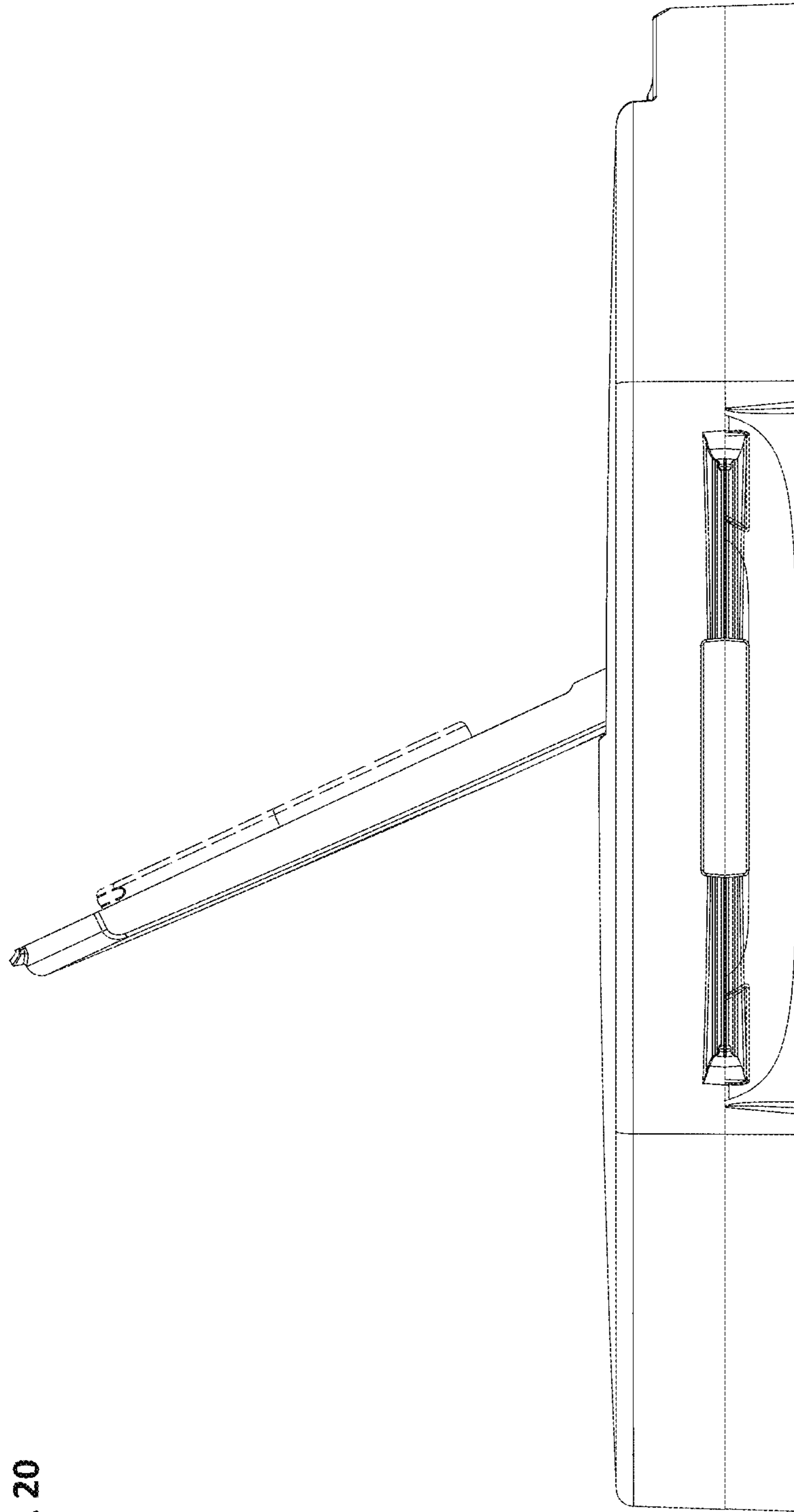


FIG. 20

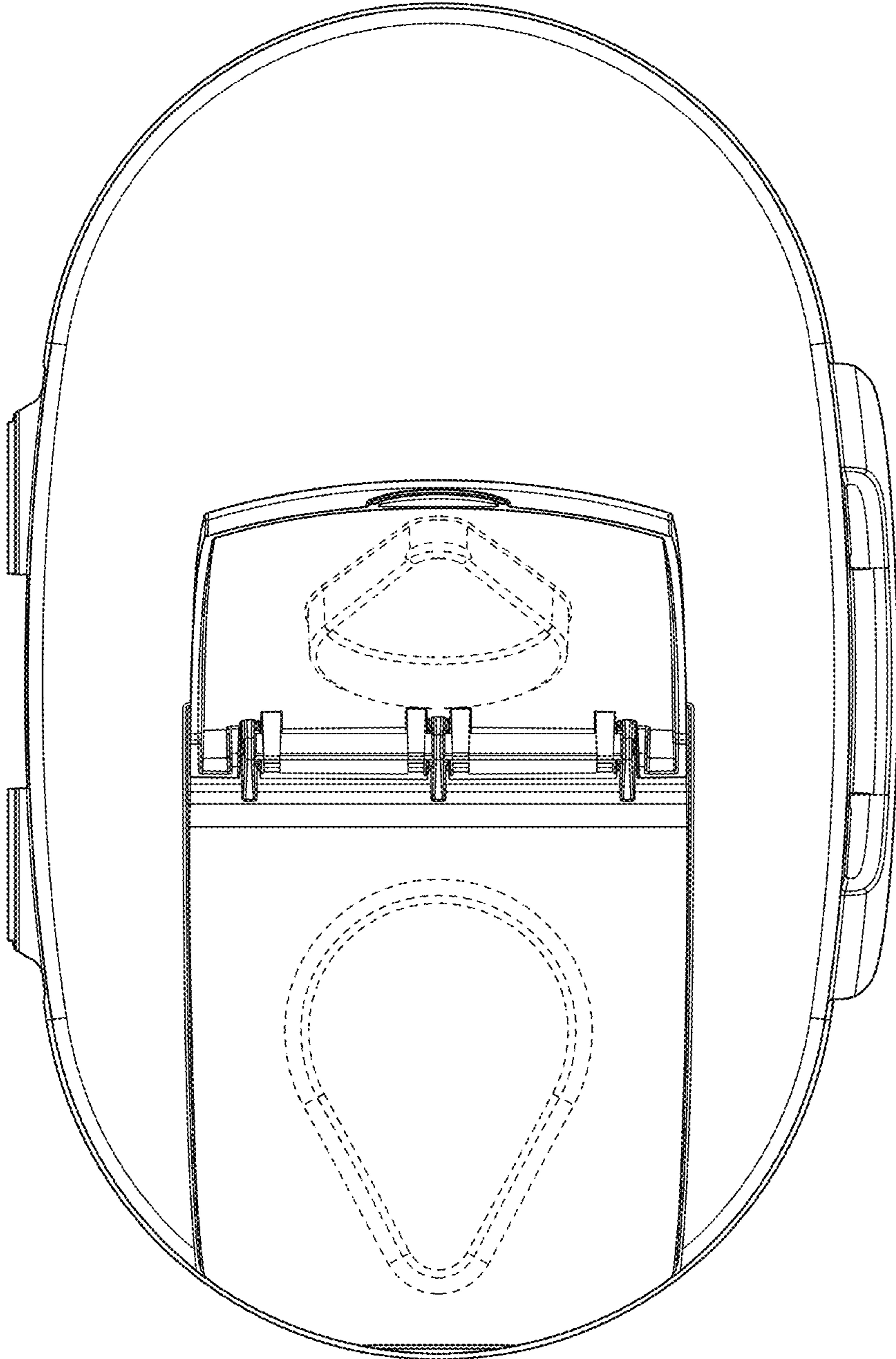


FIG. 21

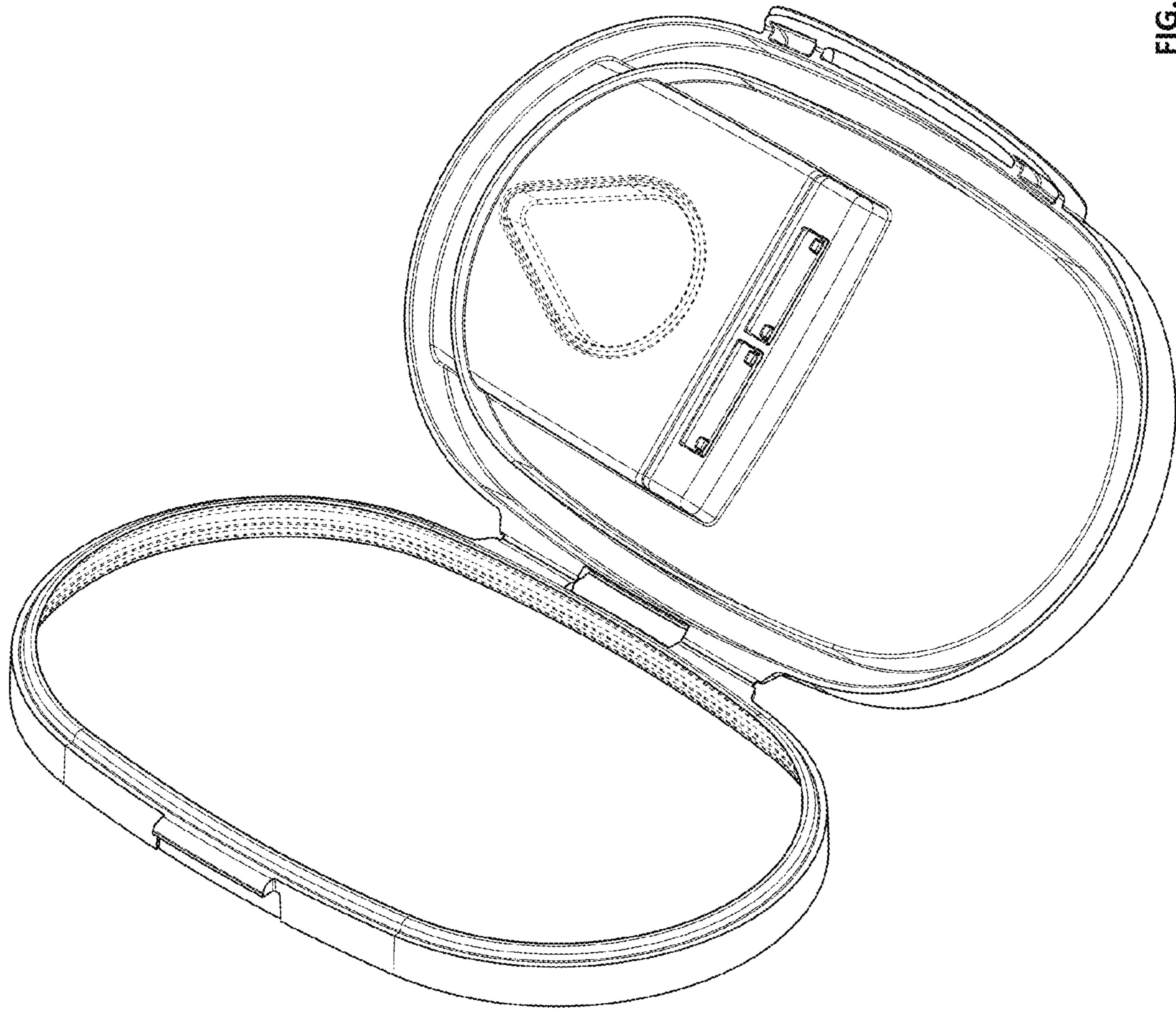


FIG. 22



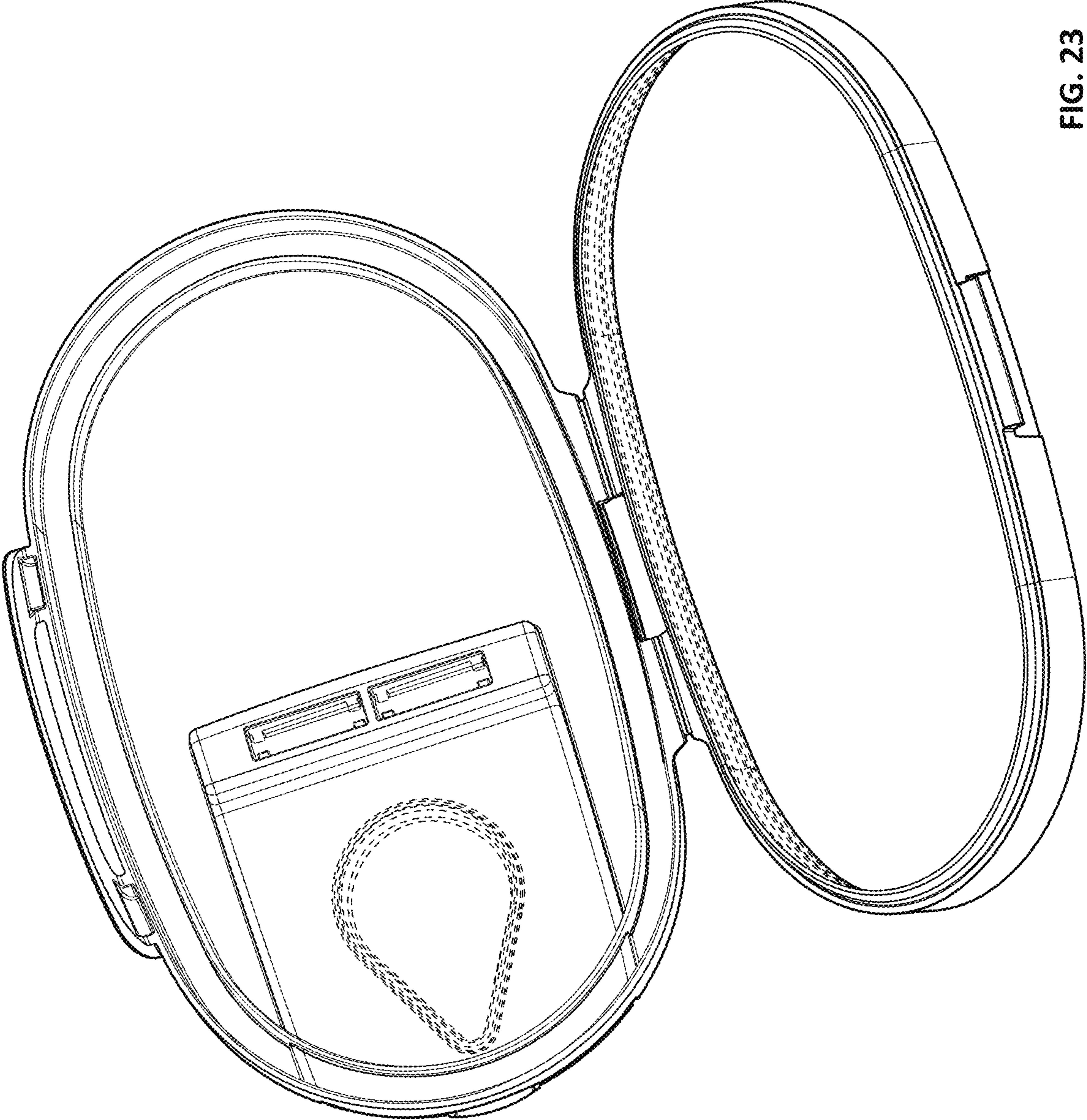


FIG. 23

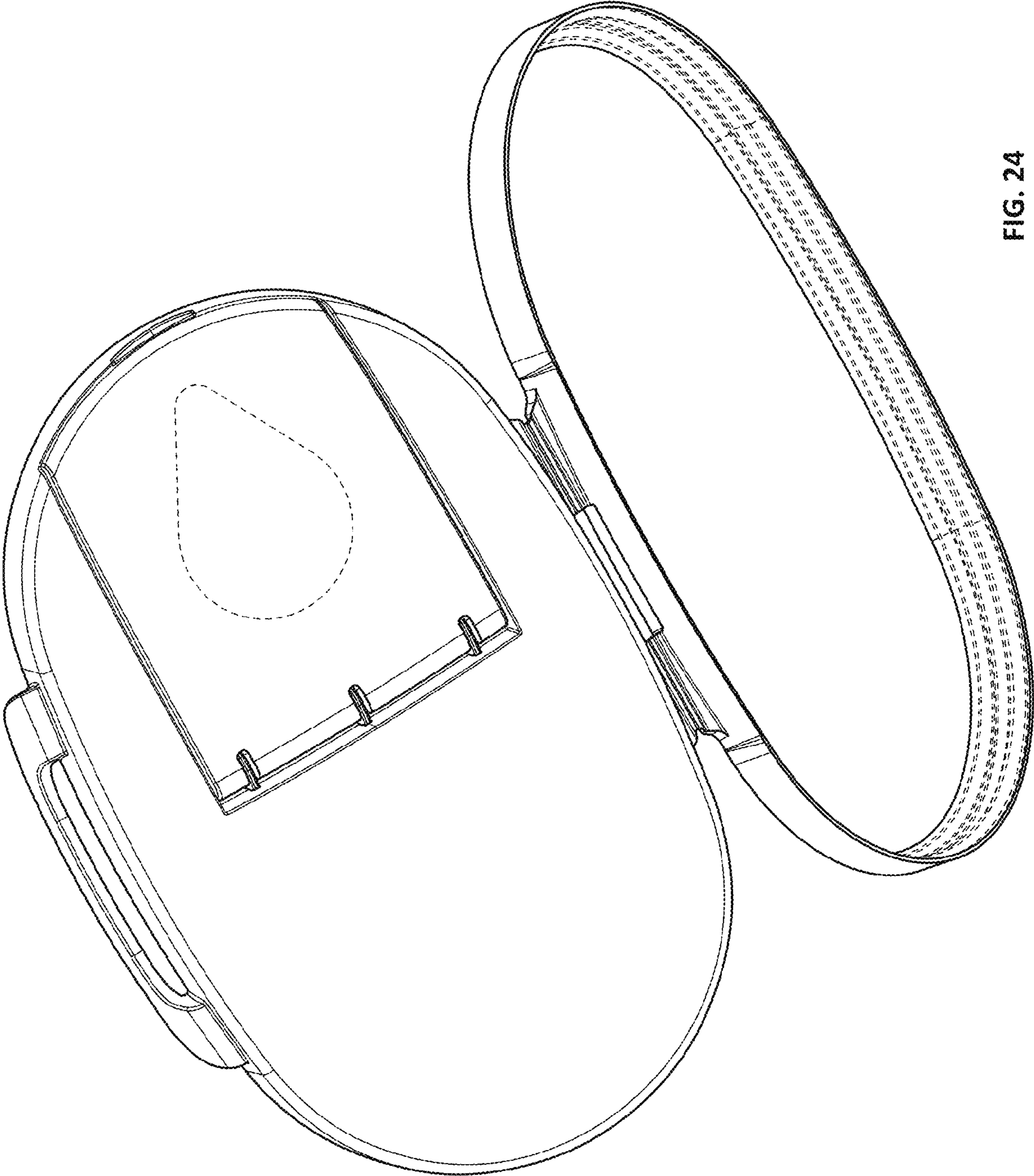


FIG. 24

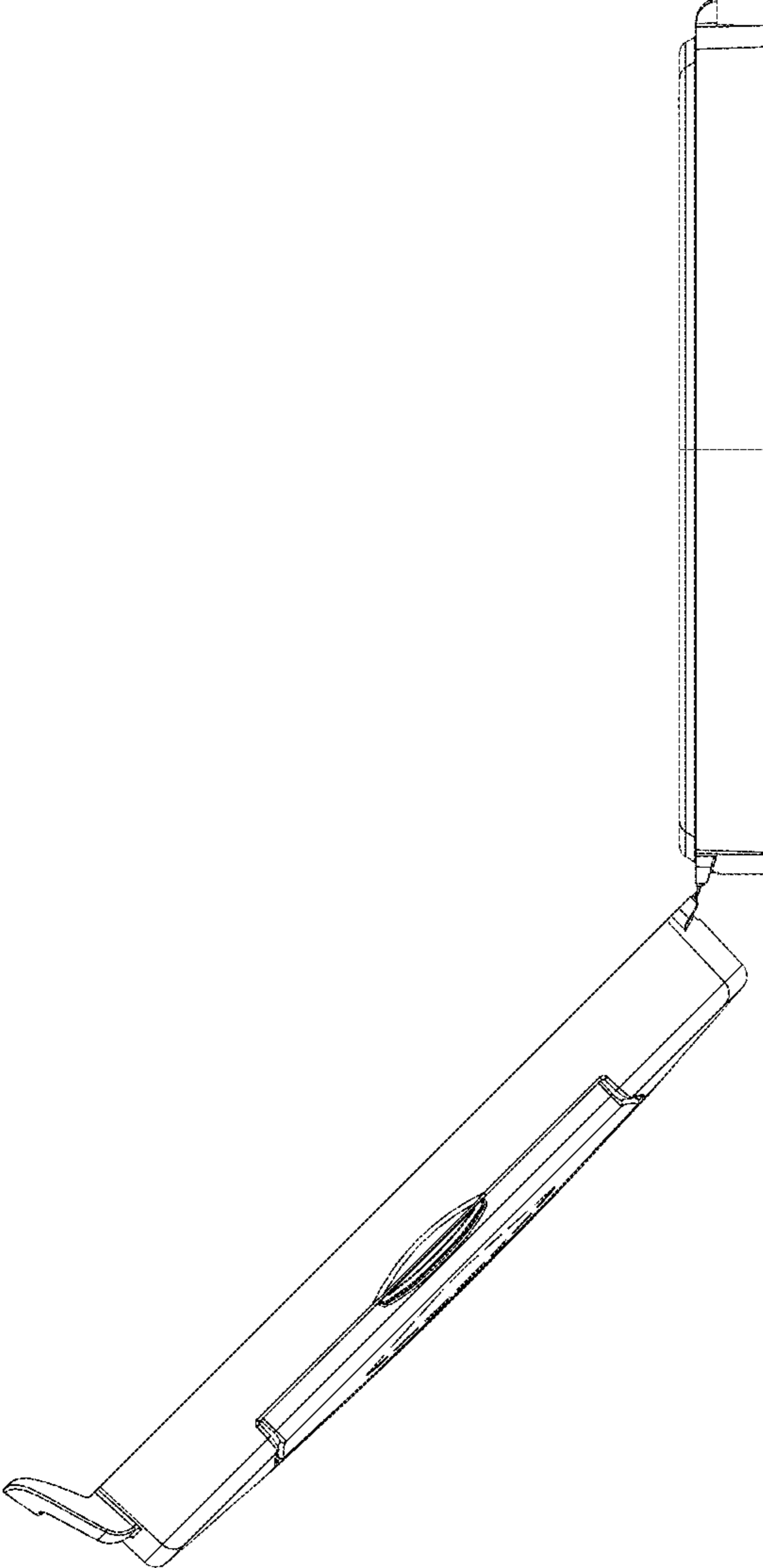


FIG. 25

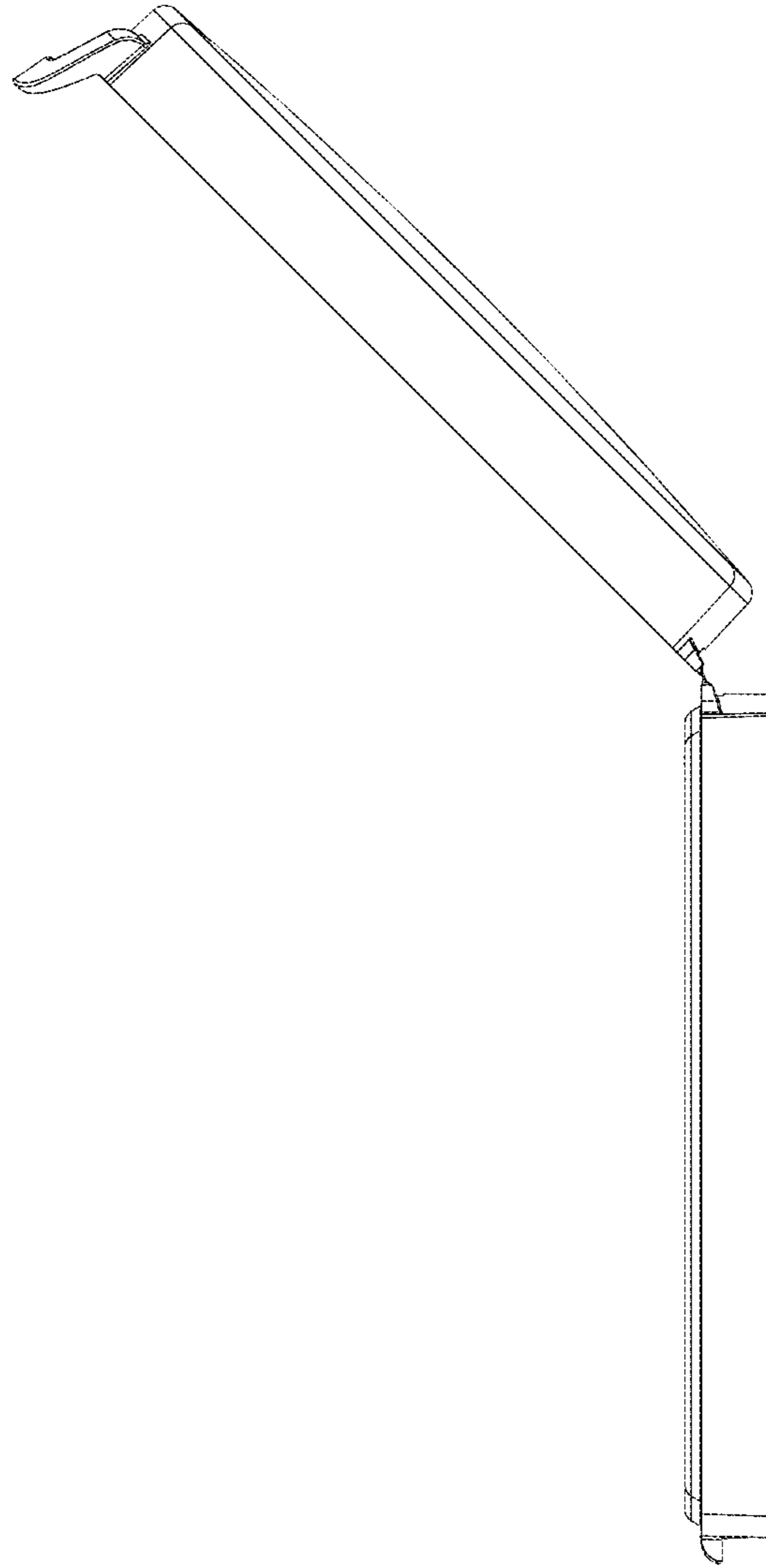


FIG. 26

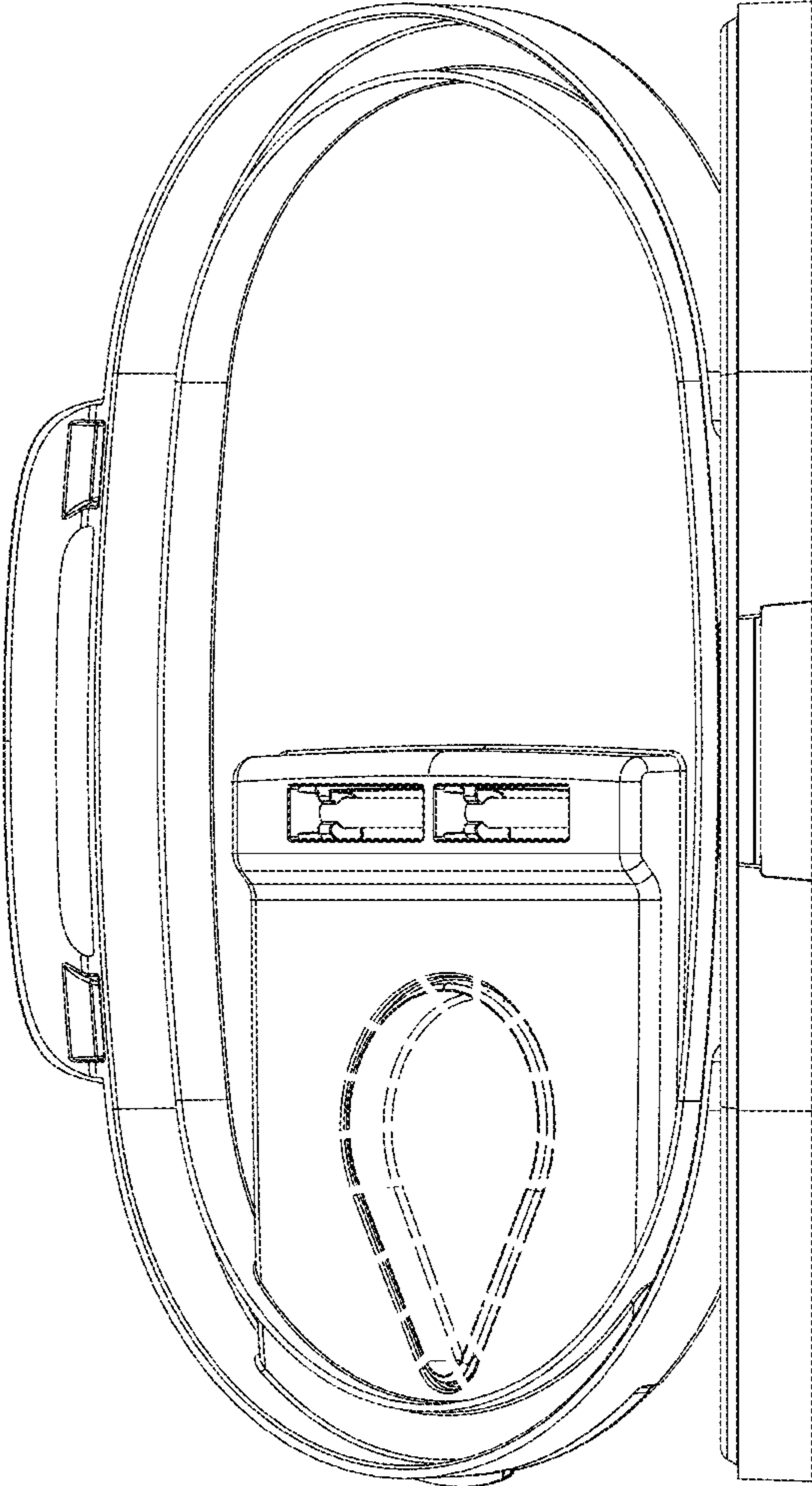


FIG. 27

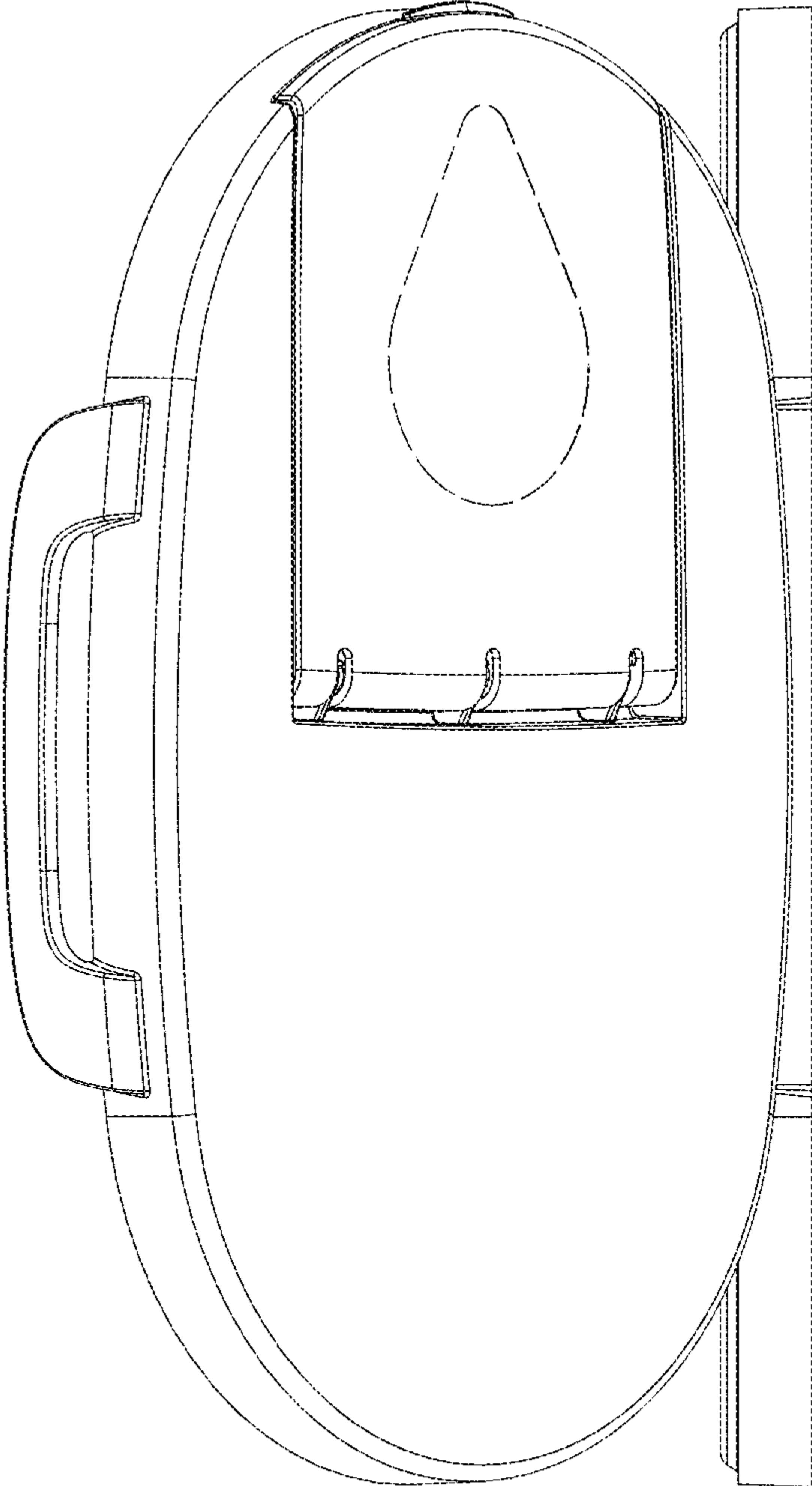


FIG. 28

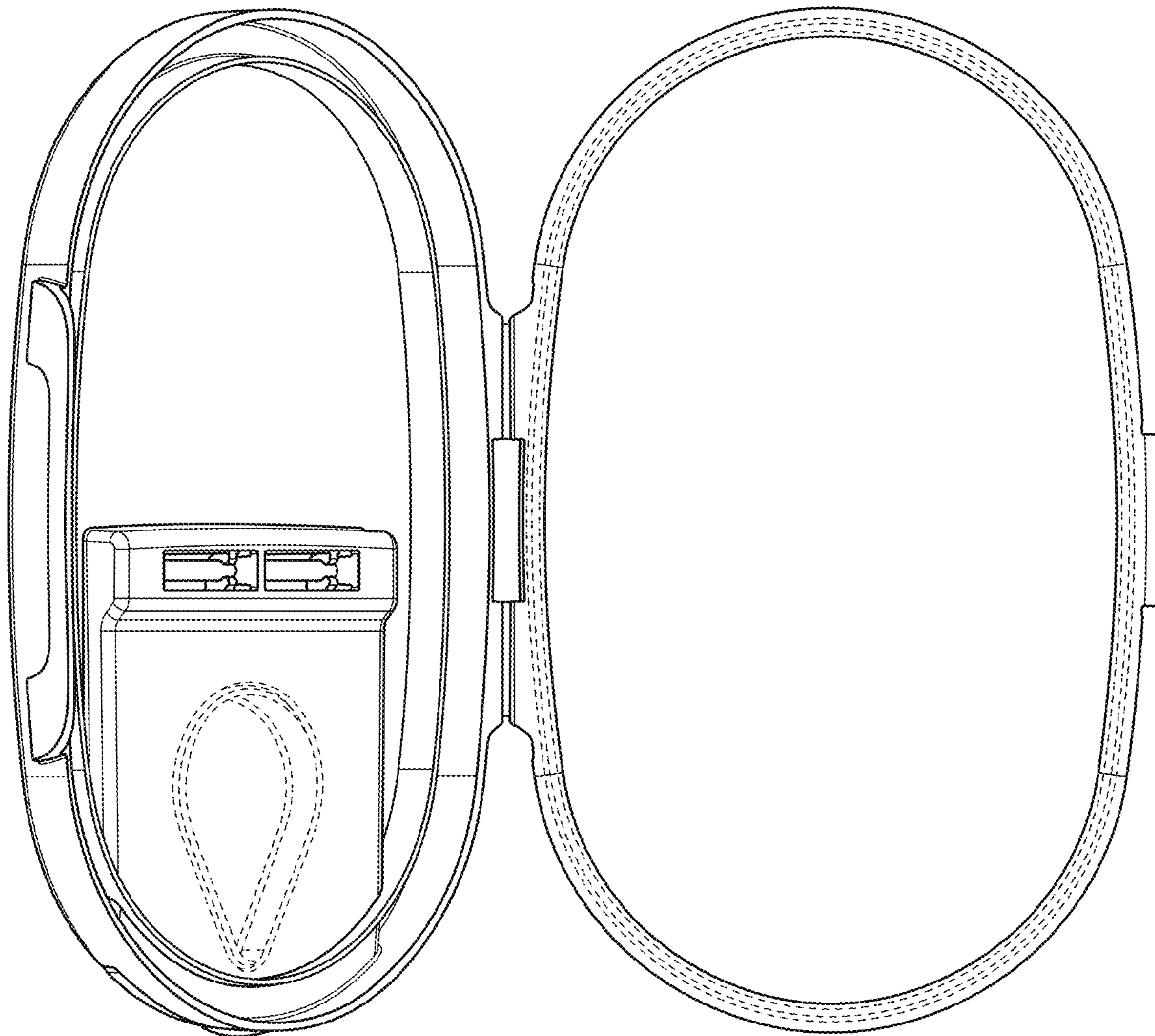


FIG. 29

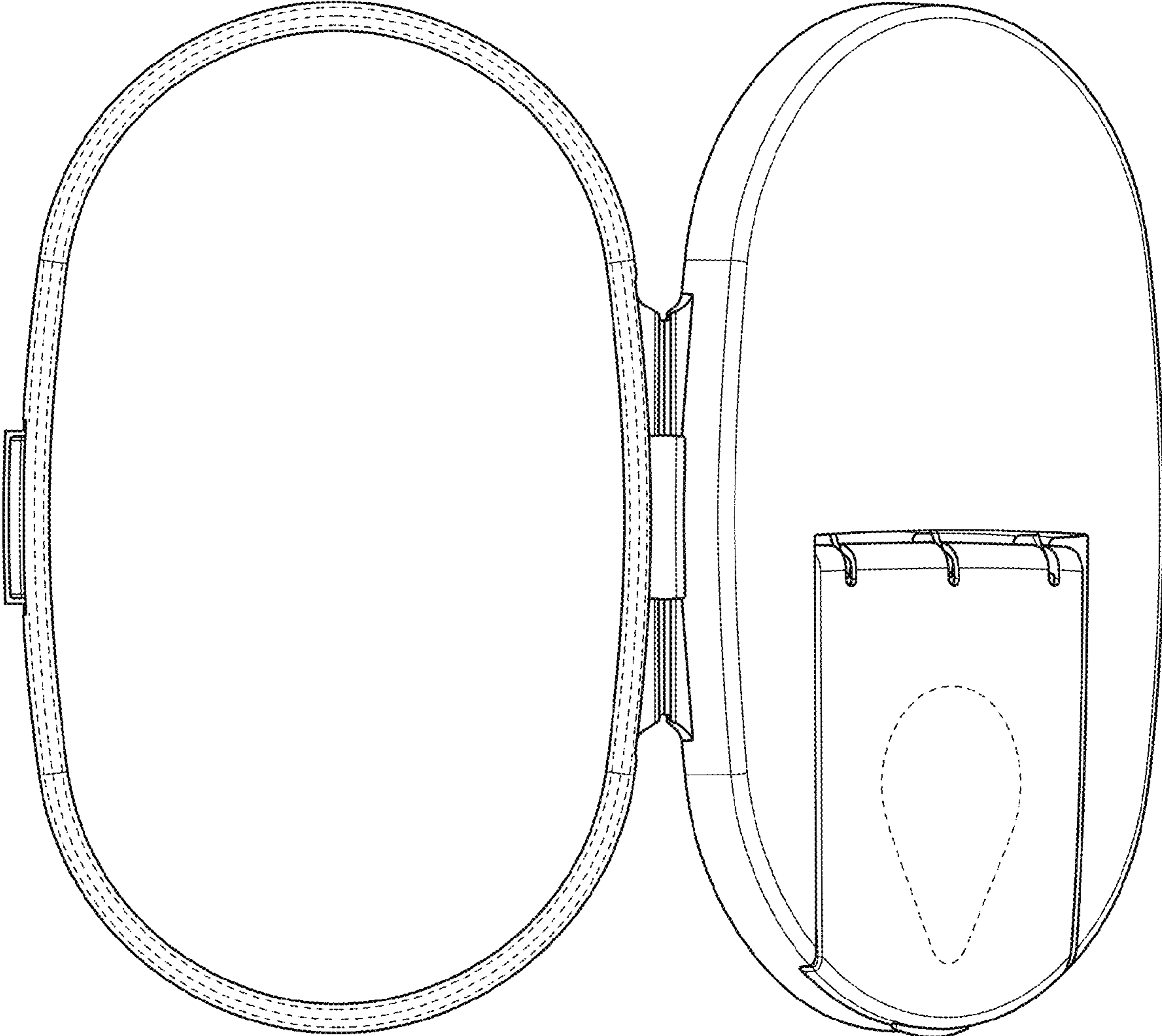


FIG. 30