



US00D884472S

(12) **United States Design Patent**
Matauch

(10) **Patent No.:** **US D884,472 S**

(45) **Date of Patent:** **** May 19, 2020**

(54) **BEVERAGE CAP**

(71) Applicant: **Flowdesign, Inc.**, Northville, MI (US)

(72) Inventor: **Daniel Matauch**, Northville, MI (US)

(73) Assignee: **Flowdesign, Inc.**, Northville, MI (US)

(**) Term: **15 Years**

(21) Appl. No.: **29/667,871**

(22) Filed: **Oct. 25, 2018**

(51) **LOC (12) Cl.** **09-07**

(52) **U.S. Cl.**
USPC **D9/447**; D7/392.1

(58) **Field of Classification Search**

USPC D9/414, 434-436, 438-440, 443-457,
D9/499, 503-505, 682, 685, 686;
D7/387, 391, 392, 392.1, 396.2-396.4,
D7/401.1, 507, 509-511, 538, 900;
D3/202, 203.2, 318; D28/91.1
CPC .. A61J 1/00; A61J 1/1412; B65D 1/00; B65D
1/02; B65D 1/10; B65D 1/46; B65D
5/46; B65D 41/00; B65D 41/38; B65D
41/56; B65D 41/62; B65D 47/00; B65D
47/06; B65D 47/08; B65D 2251/00;
B65D 2543/00046; B65D 2543/00092;
B65D 2543/00296; B65D 2585/56; B65D
2585/545

See application file for complete search history.

(56) **References Cited**

U.S. PATENT DOCUMENTS

2,753,051 A * 7/1956 Tupper B65D 47/148
210/239
2,764,199 A * 9/1956 Tupper B65D 47/0885
220/254.3
3,297,192 A * 1/1967 Swett B65D 47/0895
220/840
D210,196 S * 2/1968 Greitzer et al. D9/440

3,410,436 A * 11/1968 Foss B65D 51/1677
215/253
D218,733 S * 9/1970 Innvar et al. D9/446
D315,872 S * 4/1991 Bixler D9/435
5,415,309 A * 5/1995 Wang B65D 21/023
220/212

(Continued)

Primary Examiner — Michael A. Pratt

Assistant Examiner — Wendy L Arminio

(74) *Attorney, Agent, or Firm* — Young Basile Hanlon &
MacFarlane, P.C.

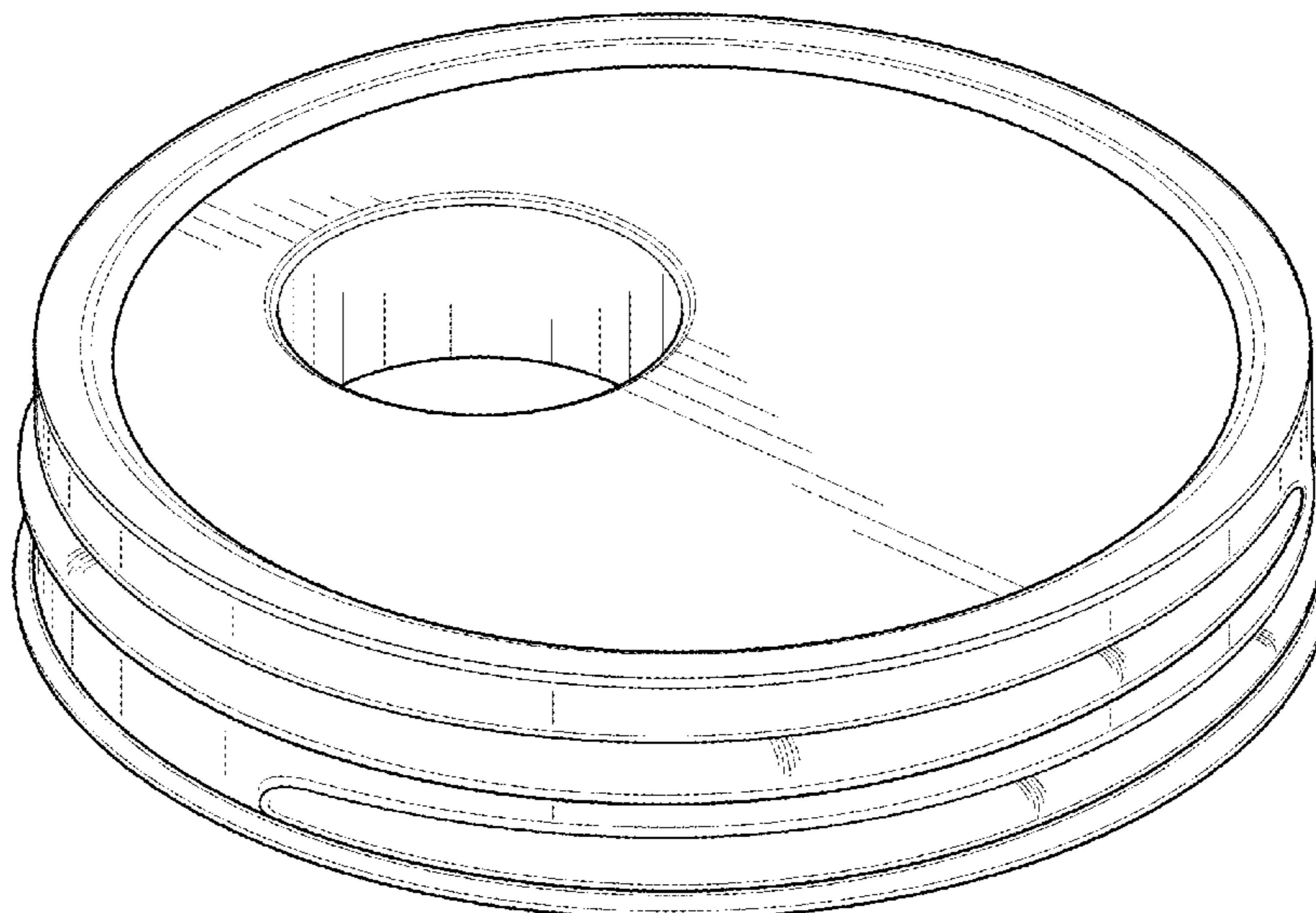
(57) **CLAIM**

The ornamental design for a beverage cap, as shown and
described.

DESCRIPTION

FIG. 1 is a top perspective view of a beverage cap;
FIG. 2 is a top view of the beverage cap of FIG. 1;
FIG. 3 is a bottom view of the beverage cap of FIG. 1;
FIG. 4 is a side view of the beverage cap of FIG. 1;
FIG. 5 is a cross-sectional side view of the beverage cap of
FIG. 1;
FIG. 6 is a bottom perspective view of the beverage cap of
FIG. 1;
FIG. 7 is a bottom perspective view of the beverage cap of
FIG. 1 shown including an unclaimed secondary cap drawn
in broken lines covering an opening of the beverage cap;
FIG. 8 is a top perspective view of the beverage cap of FIG.
1 shown coupled to an unclaimed bottle drawn in broken
lines and with an unclaimed spout drawn in broken lines
shown coupled to the beverage cap; and,
FIG. 9 is a top perspective view of the beverage cap of FIG.
1 shown coupled to an unclaimed bottle drawn in broken
lines.
The broken lines illustrating secondary cap features in FIG.
7, bottle and spout features in FIG. 8, and bottle features in
FIG. 9 depict environment and form no part of the claimed
design.

1 Claim, 6 Drawing Sheets



(56)

References Cited

U.S. PATENT DOCUMENTS

D359,687 S * 6/1995 Arshinoff D9/447
5,706,974 A * 1/1998 Murdick B65D 51/246
206/230
5,797,509 A * 8/1998 Fitch B65D 51/20
215/232
D565,412 S * 4/2008 Fuller D9/454
D588,002 S * 3/2009 D'Amato D9/447
D600,552 S * 9/2009 Subotic D9/438
D655,605 S * 3/2012 Baughman D9/447
8,757,421 B2 * 6/2014 Yang B65D 51/246
206/223
D786,071 S * 5/2017 Miller D9/435
D807,171 S * 1/2018 Miller D9/435
D810,567 S * 2/2018 Brovar D9/449
D855,389 S * 8/2019 Waggoner D7/392.1

* cited by examiner

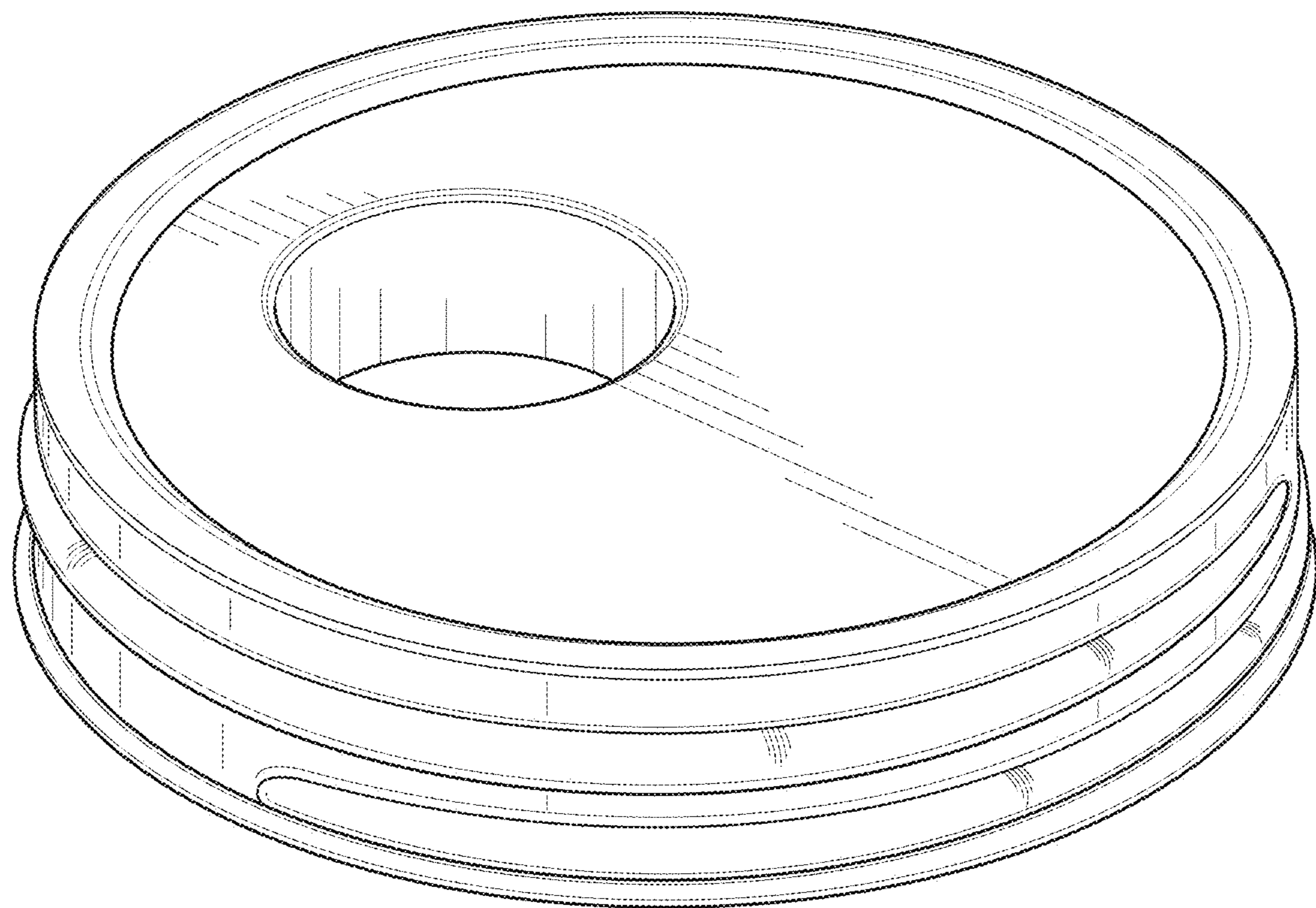


FIG. 1

FIG. 2

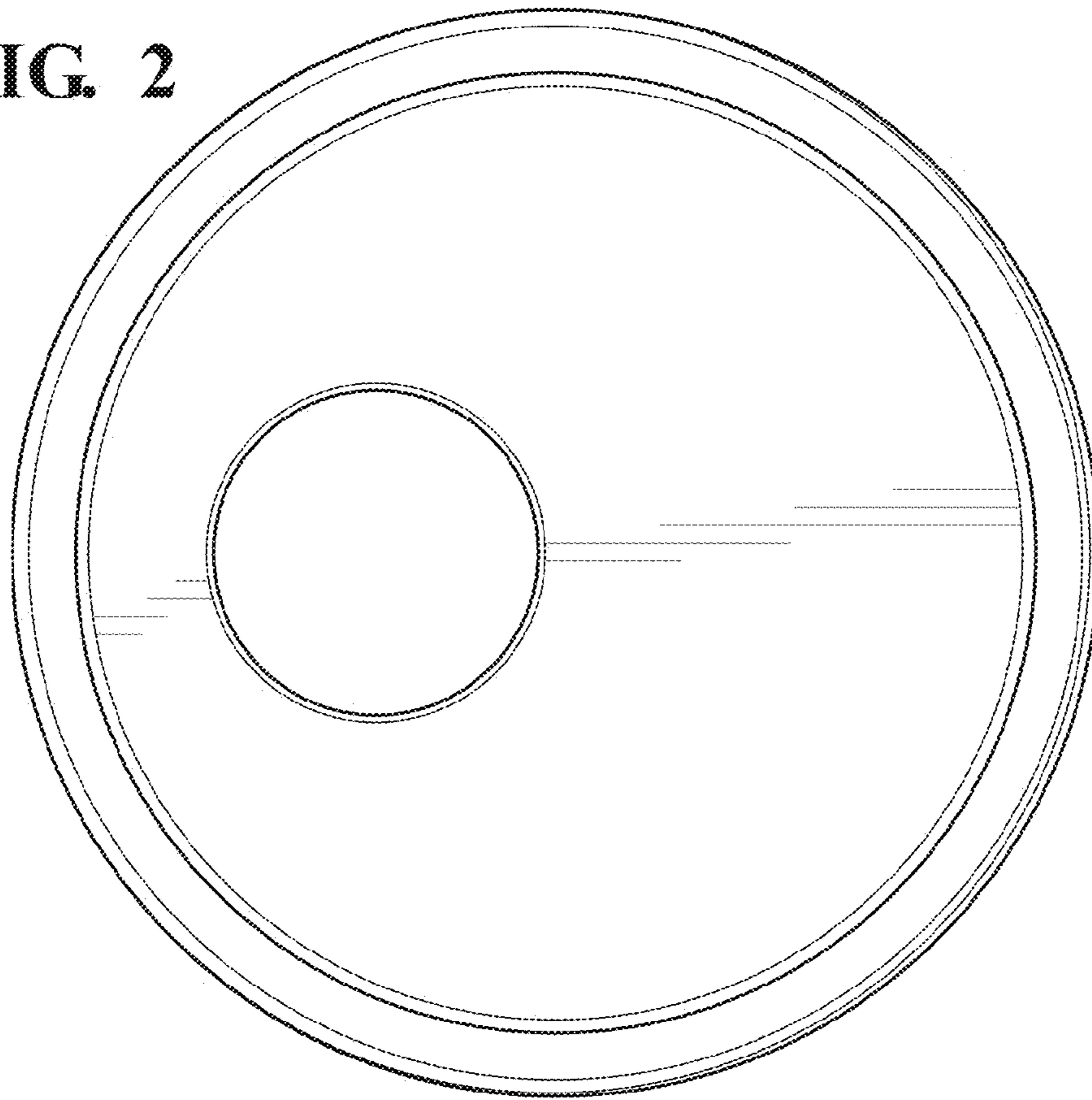
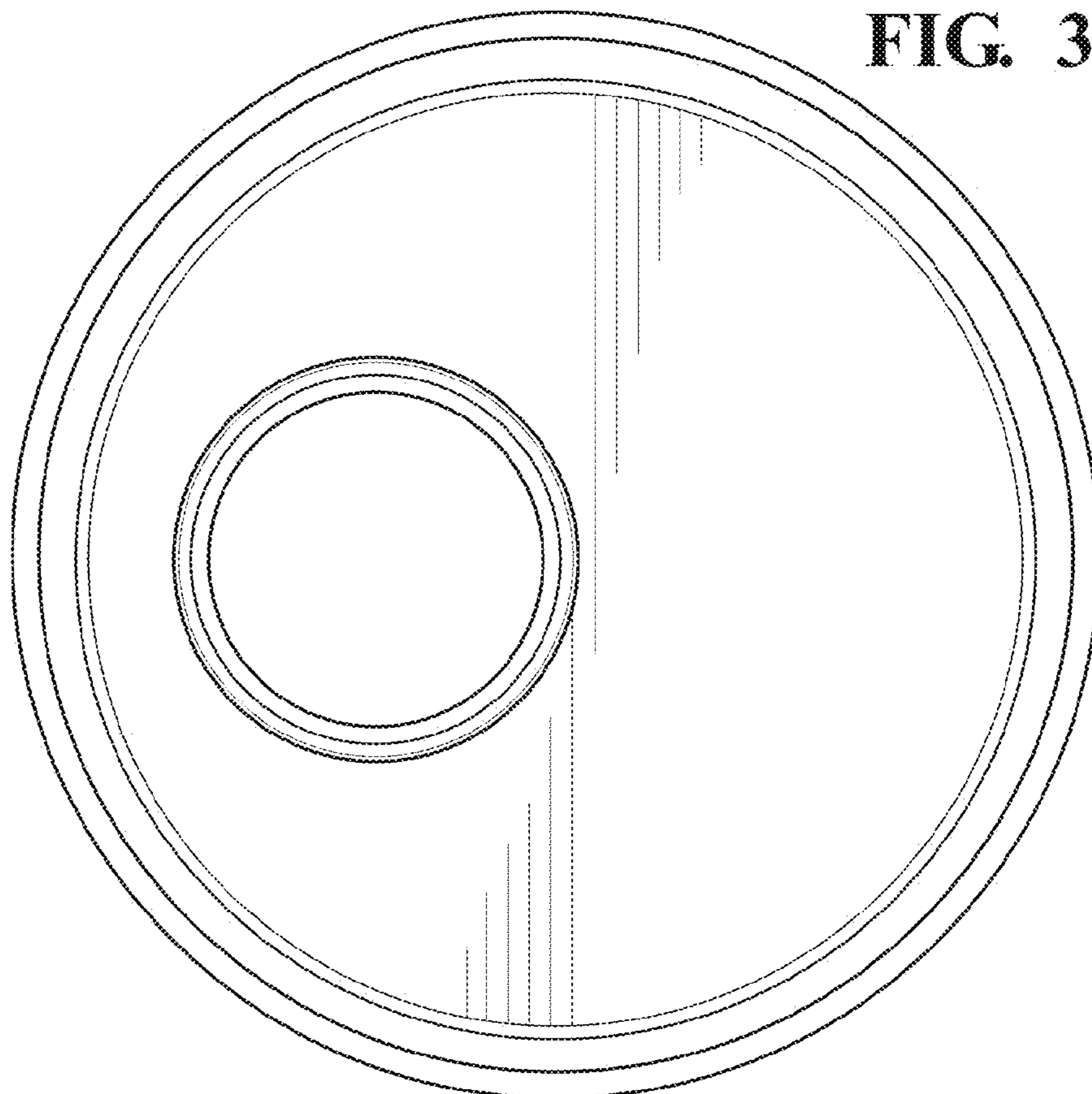


FIG. 3



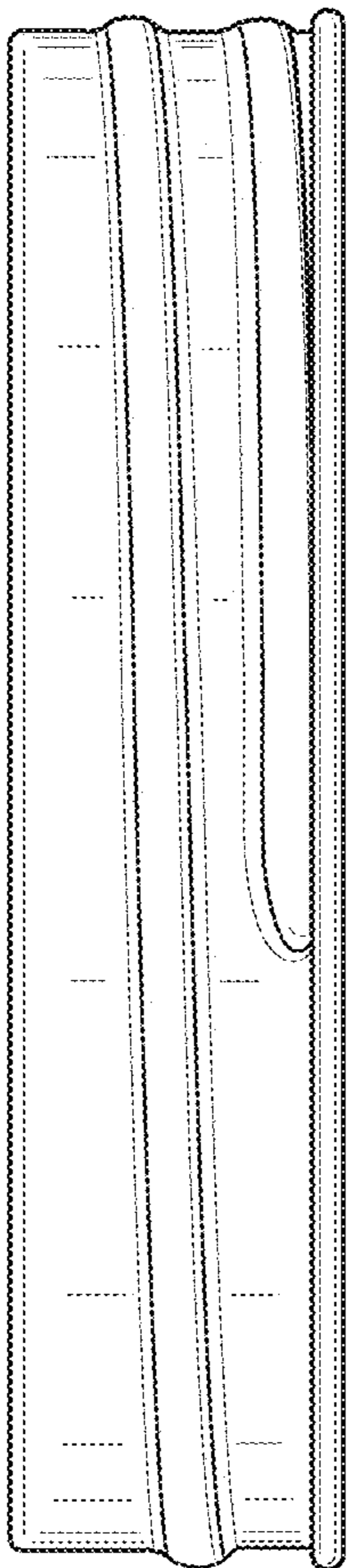


FIG. 4

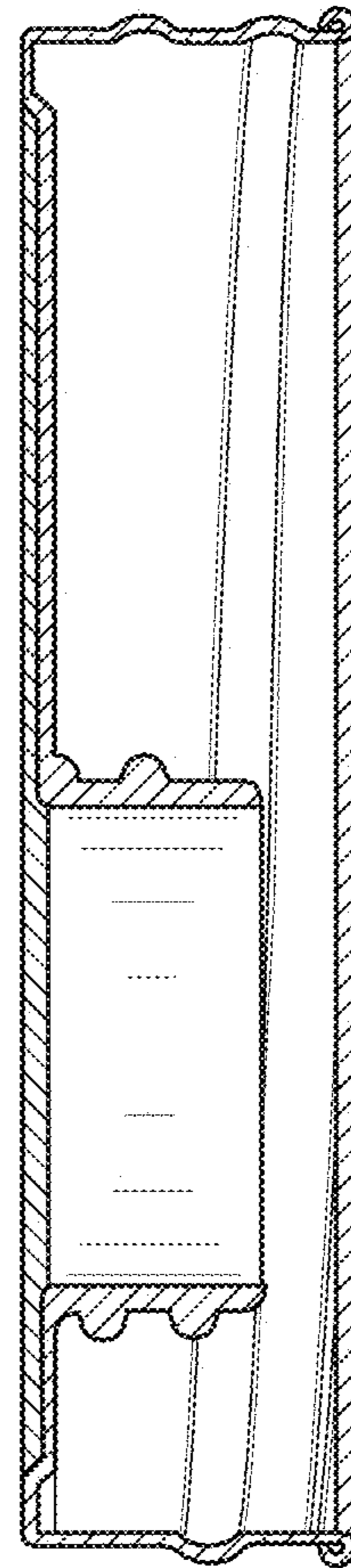


FIG. 5

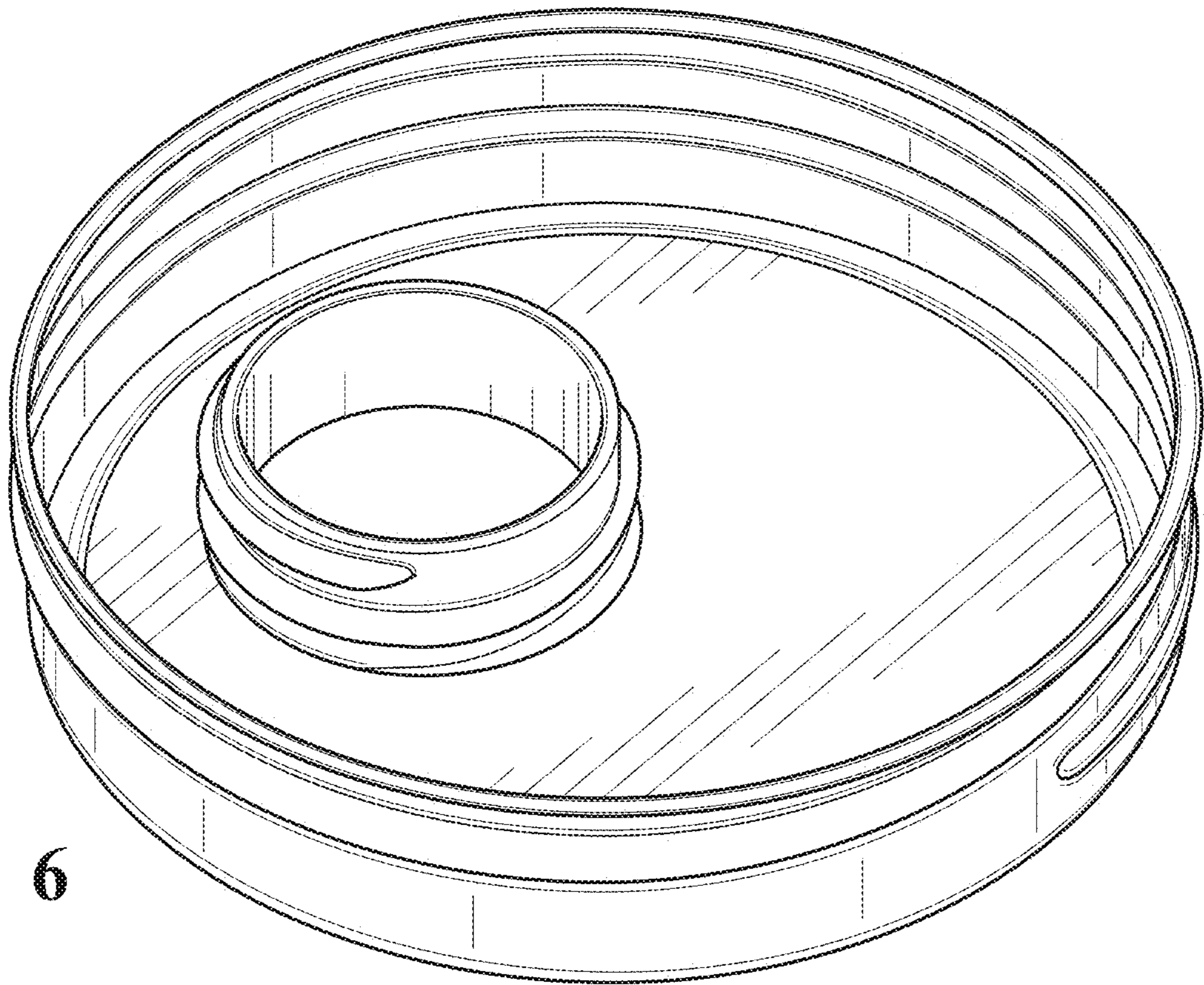


FIG. 6

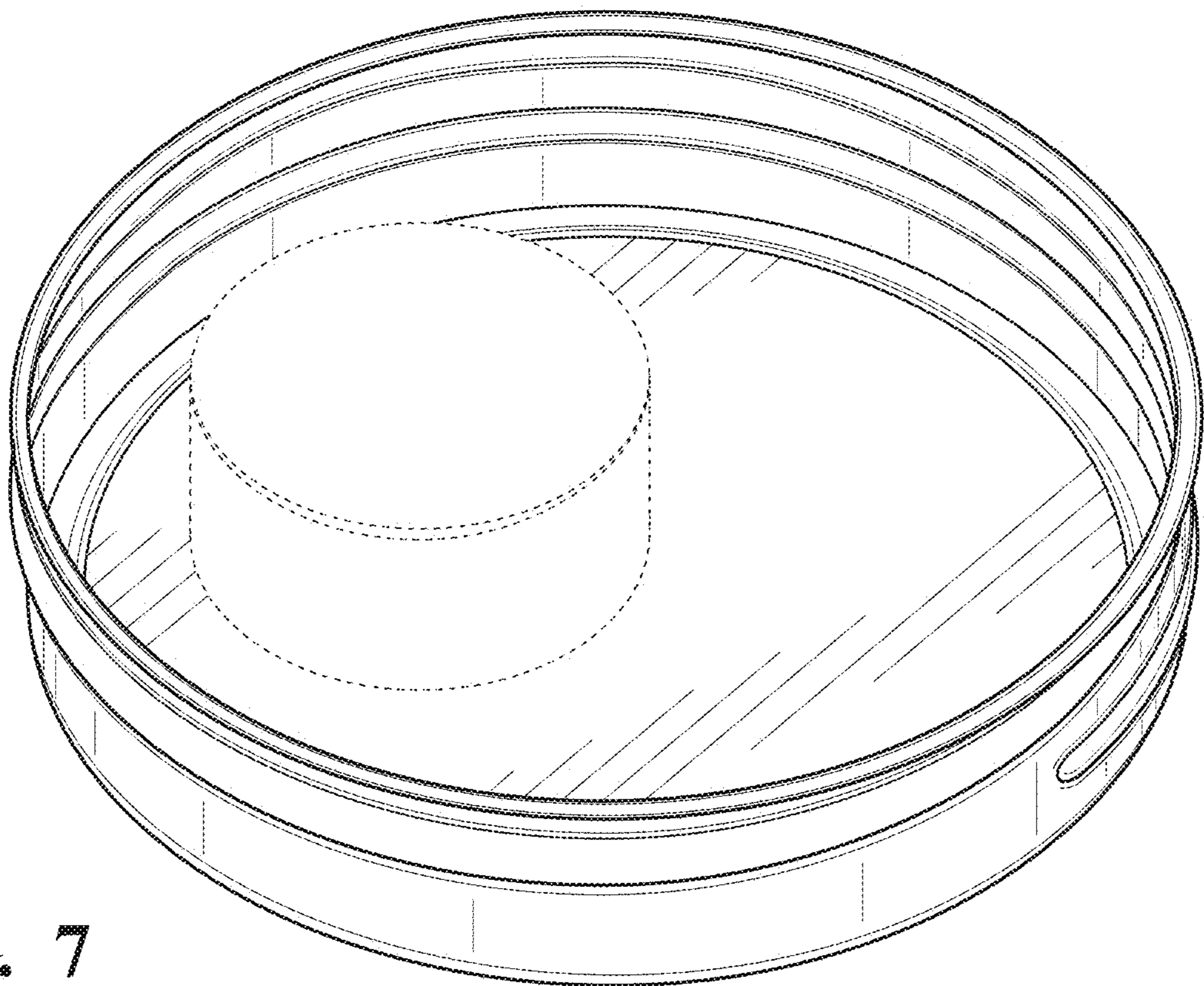


FIG. 7

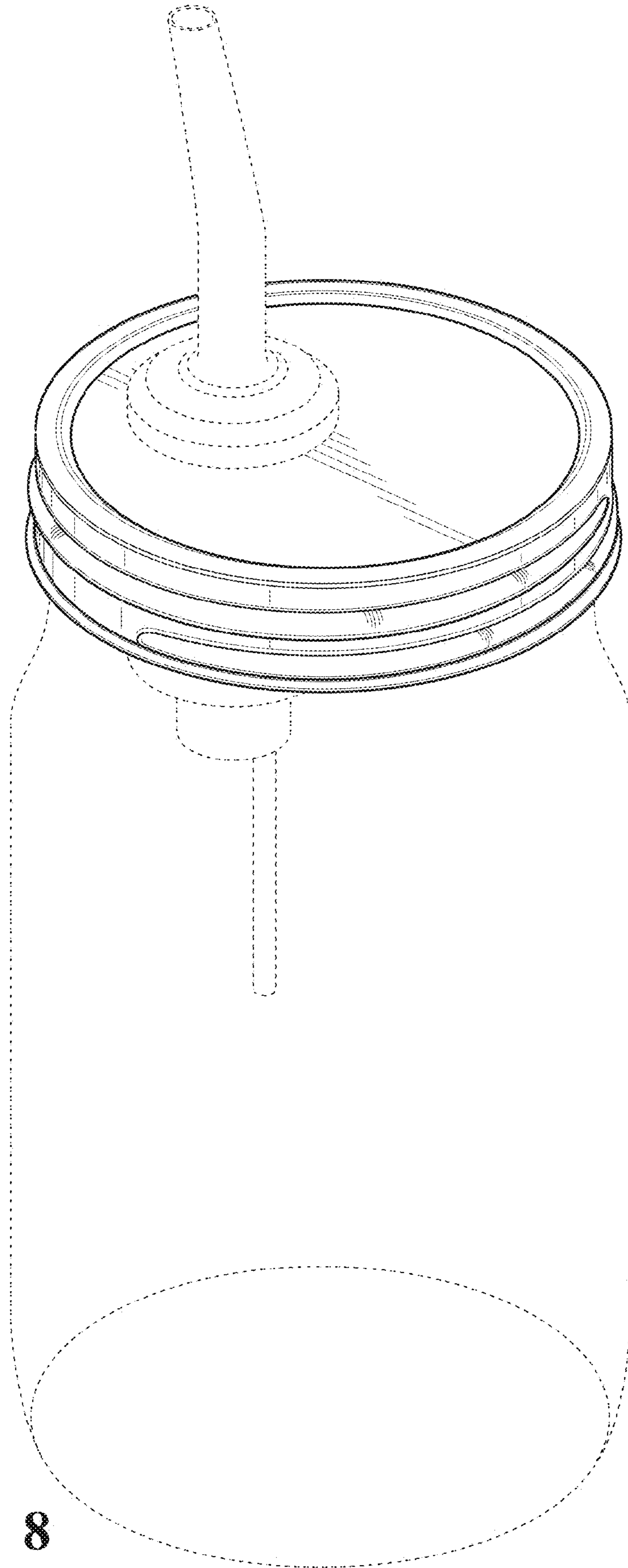


FIG. 8

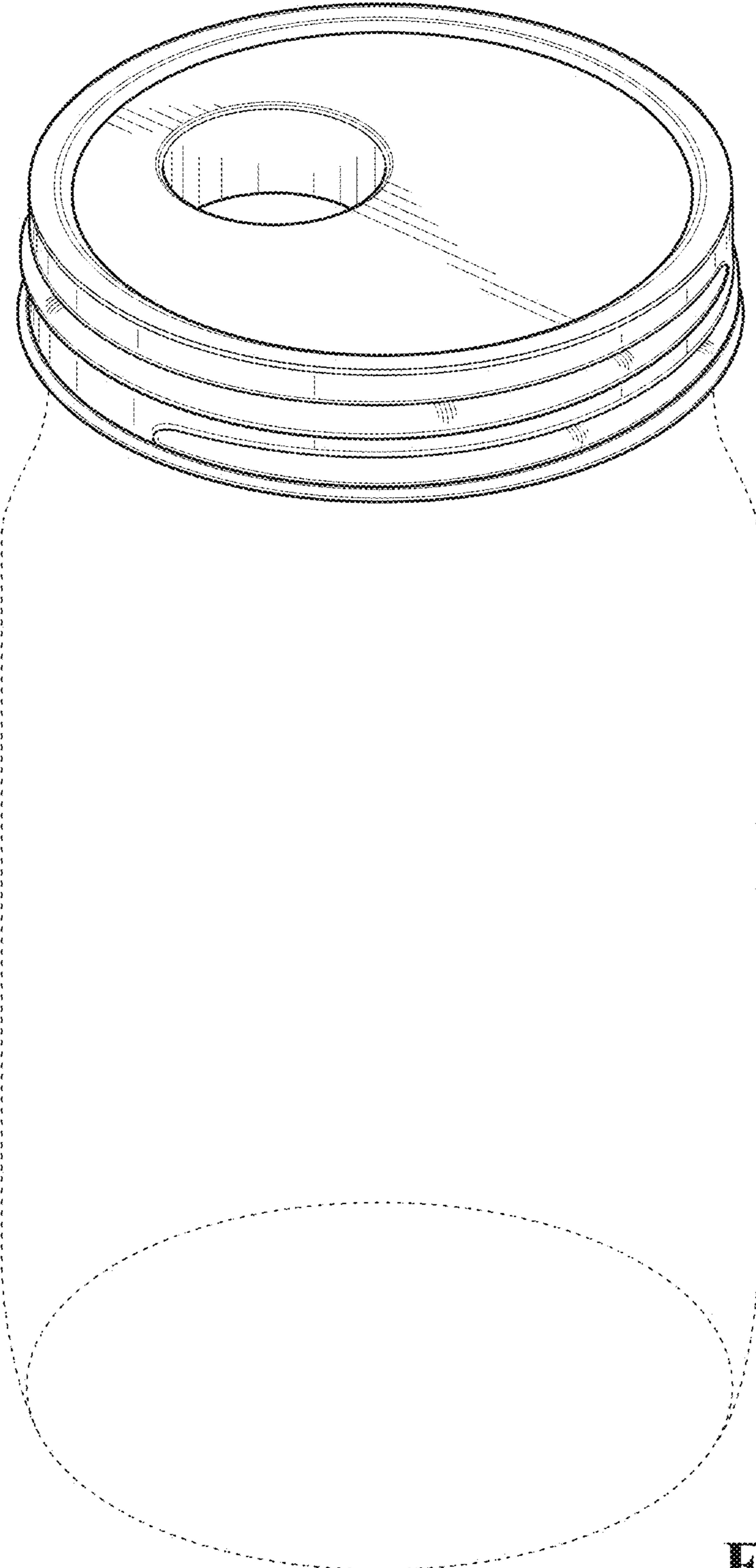


FIG. 9